



US00D742082S

(12) **United States Design Patent**
Lee et al.

(10) **Patent No.:** **US D742,082 S**
(45) **Date of Patent:** **** Oct. 27, 2015**

(54) **CLEANER**

(71) Applicant: **Samsung Electronics Co., Ltd.**,
Suwon-Si, Gyeonggi-Do (KR)

(72) Inventors: **Yang Jic Lee**, Gwacheon-si (KR); **Sang Min Hyun**, Seoul (KR)

(73) Assignee: **Samsung Electronics Co., Ltd.**,
Gyeonggi-Do (KR)

(**) Term: **14 Years**

(21) Appl. No.: **29/495,604**

(22) Filed: **Jul. 2, 2014**

(30) **Foreign Application Priority Data**

Jan. 14, 2014 (KR) 30-2014-0002164

(51) **LOC (10) Cl.** **15-05**

(52) **U.S. Cl.**
USPC **D32/31**

(58) **Field of Classification Search**
USPC D32/31, 21, 22, 24, 34, 15-16;
15/350-353, 361-362, 347, 410-411,
15/414, 320-322, 329, 335, 246.2, 1.7,
15/340.2, DIG. 10; 55/345
CPC A47L 5/24; A47L 11/34; A47L 5/362;
A47L 19/1666; A47L 9/325; A47L 5/32;
A47L 9/08; A47L 5/14; A47L 5/365; A47L
9/242; B01D 45/12; B01D 50/002
See application file for complete search history.

(56) **References Cited**

U.S. PATENT DOCUMENTS

D244,719 S * 6/1977 Thomas et al. D24/111
D296,486 S * 6/1988 Staubitz et al. D32/22
D323,725 S * 2/1992 Gierke et al. D32/15
5,722,111 A * 3/1998 Sowell et al. 15/330
D398,099 S * 9/1998 Leung D32/22

D426,356 S * 6/2000 Tsuruha D32/22
D429,044 S * 8/2000 Saunders et al. D32/34
D433,546 S * 11/2000 Milanese D32/22
D436,699 S * 1/2001 Makihara et al. D32/22
D495,456 S * 8/2004 Ågren et al. D32/22
D561,415 S * 2/2008 Tavano D32/34
D592,819 S * 5/2009 Crawford et al. D32/45
D615,717 S * 5/2010 Butts et al. D32/22
D635,728 S * 4/2011 Fjellman D32/22
D641,112 S * 7/2011 Lee D32/34
D643,980 S * 8/2011 Kim et al. D32/22
D646,857 S * 10/2011 Spencer et al. D32/22
D653,825 S * 2/2012 Cho et al. D32/22
D671,220 S * 11/2012 Donaldson D24/176
D671,221 S * 11/2012 Donaldson D24/176
D677,844 S * 3/2013 Nicora et al. D32/22
D680,286 S * 4/2013 Gray et al. D32/22

(Continued)

Primary Examiner — Ruth McInroy

(74) *Attorney, Agent, or Firm* — Harness, Dickey & Pierce,
P.L.C.

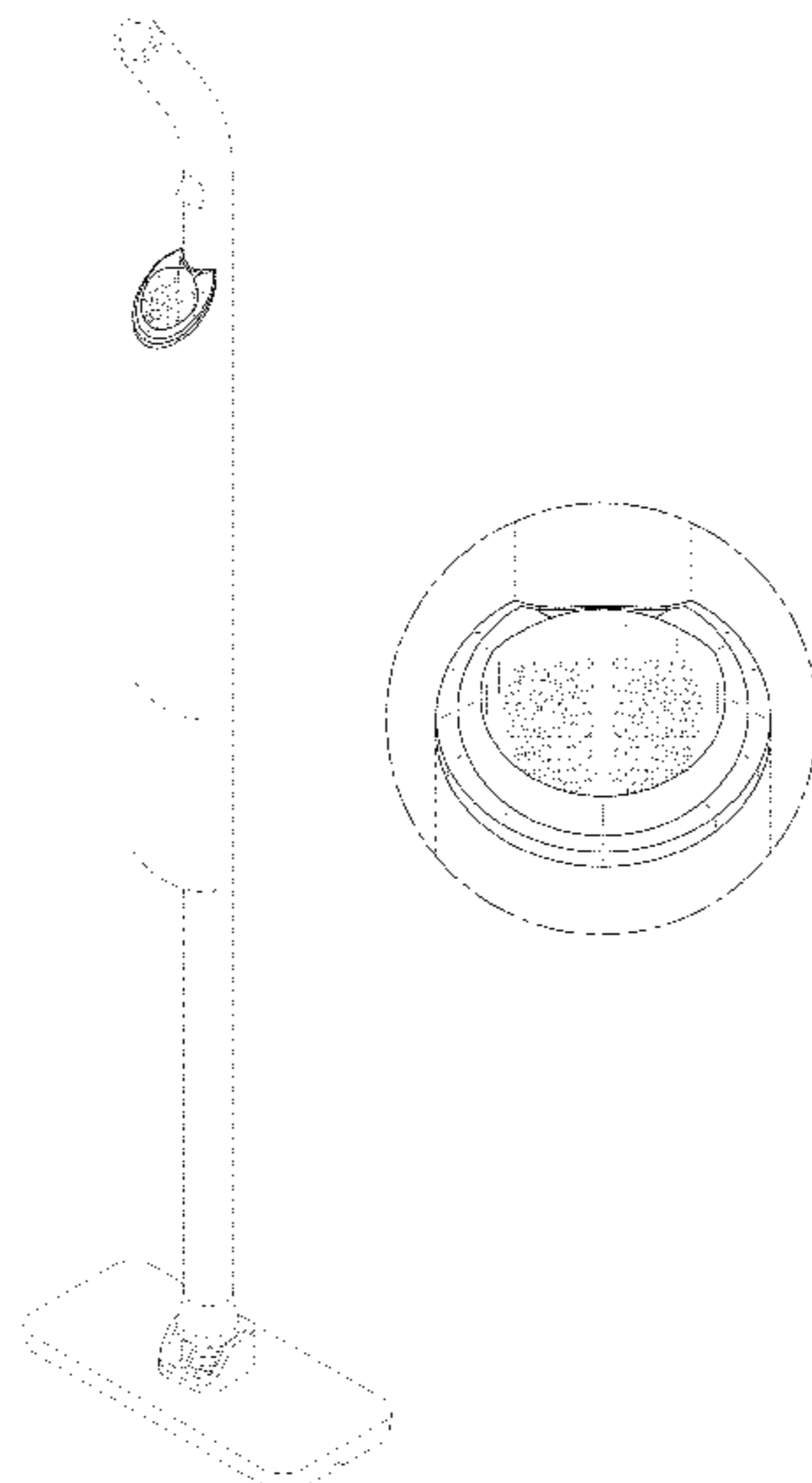
(57) **CLAIM**

We claim the ornamental design for a cleaner, as shown and described.

DESCRIPTION

FIG. 1 is the front perspective view of a cleaner showing our new design;
FIG. 2 is the front view thereof;
FIG. 3 is the rear view thereof;
FIG. 4 is the left-side view thereof;
FIG. 5 is the right-side view thereof;
FIG. 6 is a top plan view thereof;
FIG. 7 is a bottom plan view thereof;
FIG. 8 is a rear perspective view thereof; and,
FIG. 9 is an enlarged view of the detail in FIG. 3.
The broken lines illustrating portions of the cleaner are for environmental purposes only and form no part of the claimed design.

1 Claim, 9 Drawing Sheets



(56)

References Cited

U.S. PATENT DOCUMENTS

D682,496 S * 5/2013 Bassett et al. D32/22
8,438,697 B2 * 5/2013 Kim et al. 15/334
D694,481 S * 11/2013 Grey et al. D32/22
2003/0101523 A1 * 6/2003 Lepley, Jr. 15/1.7

2004/0060144 A1 * 4/2004 Bowden et al. 15/334
2006/0143852 A1 * 7/2006 Lee et al. 15/334
2006/0230572 A1 * 10/2006 Lee et al. 15/334
2007/0209142 A1 * 9/2007 Pullins et al. 15/334
2015/0000070 A1 * 1/2015 Liu et al. 15/330

* cited by examiner

FIG. 1

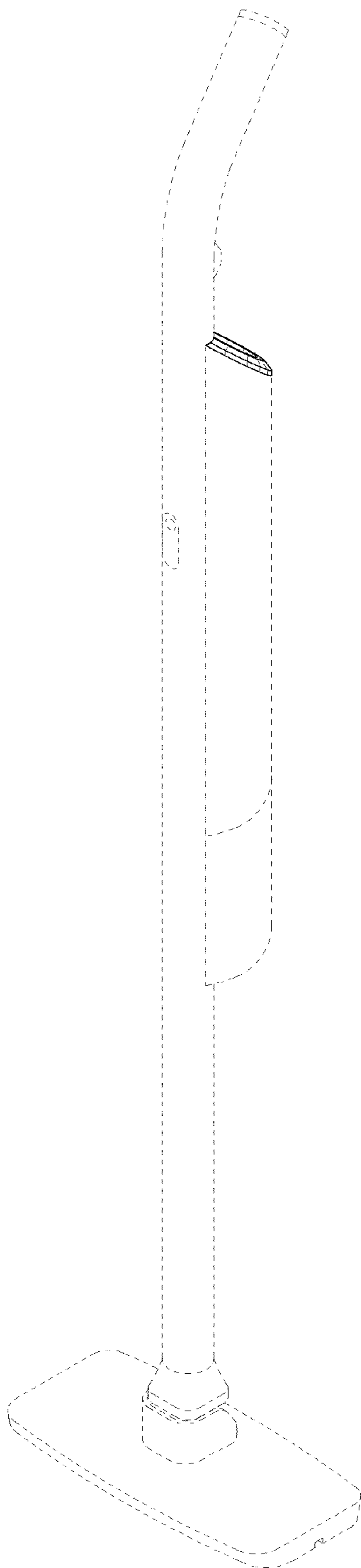


FIG. 2

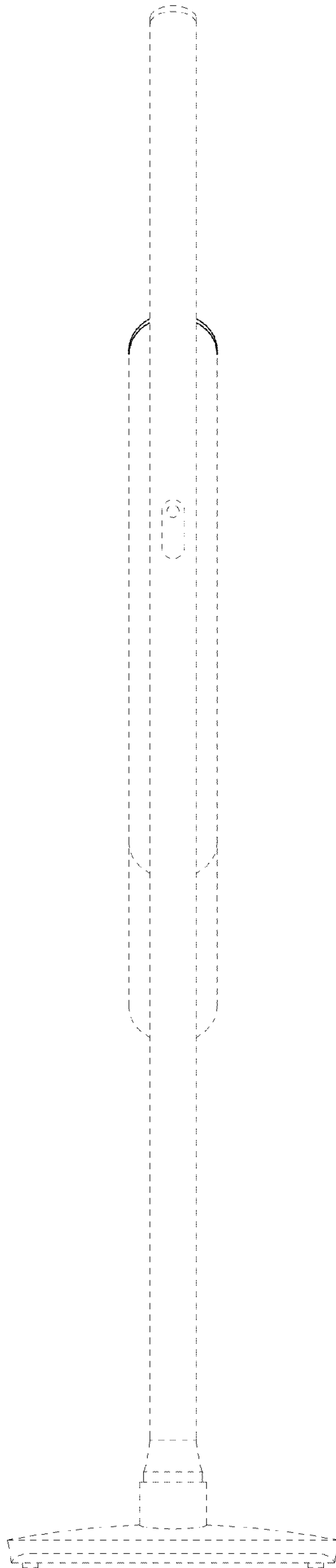


FIG. 3

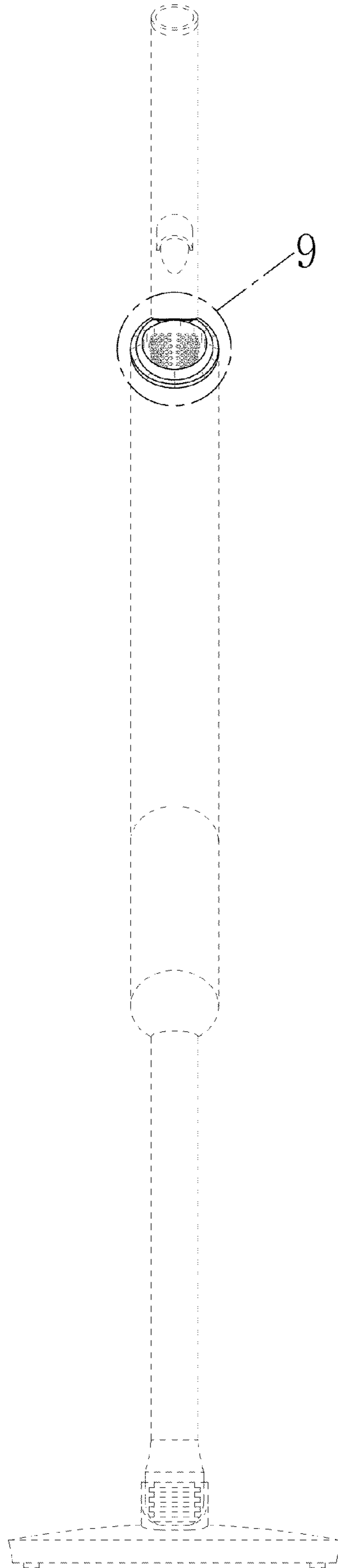


FIG. 4

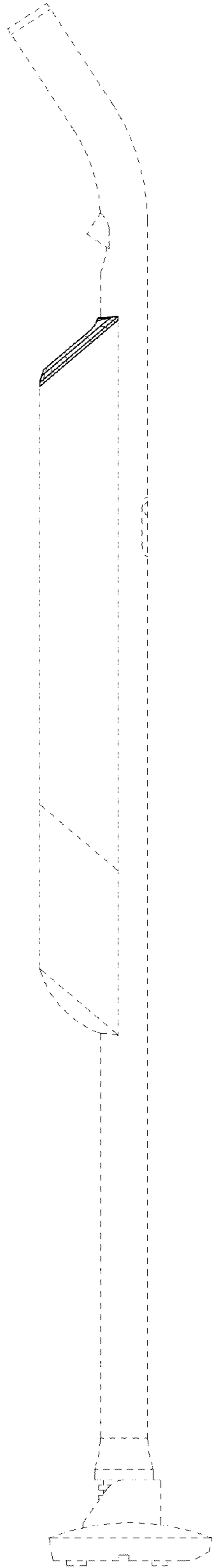


FIG. 5

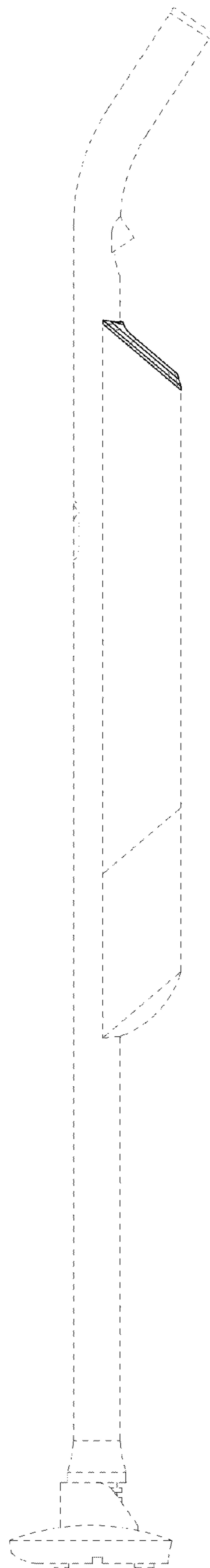


FIG. 6

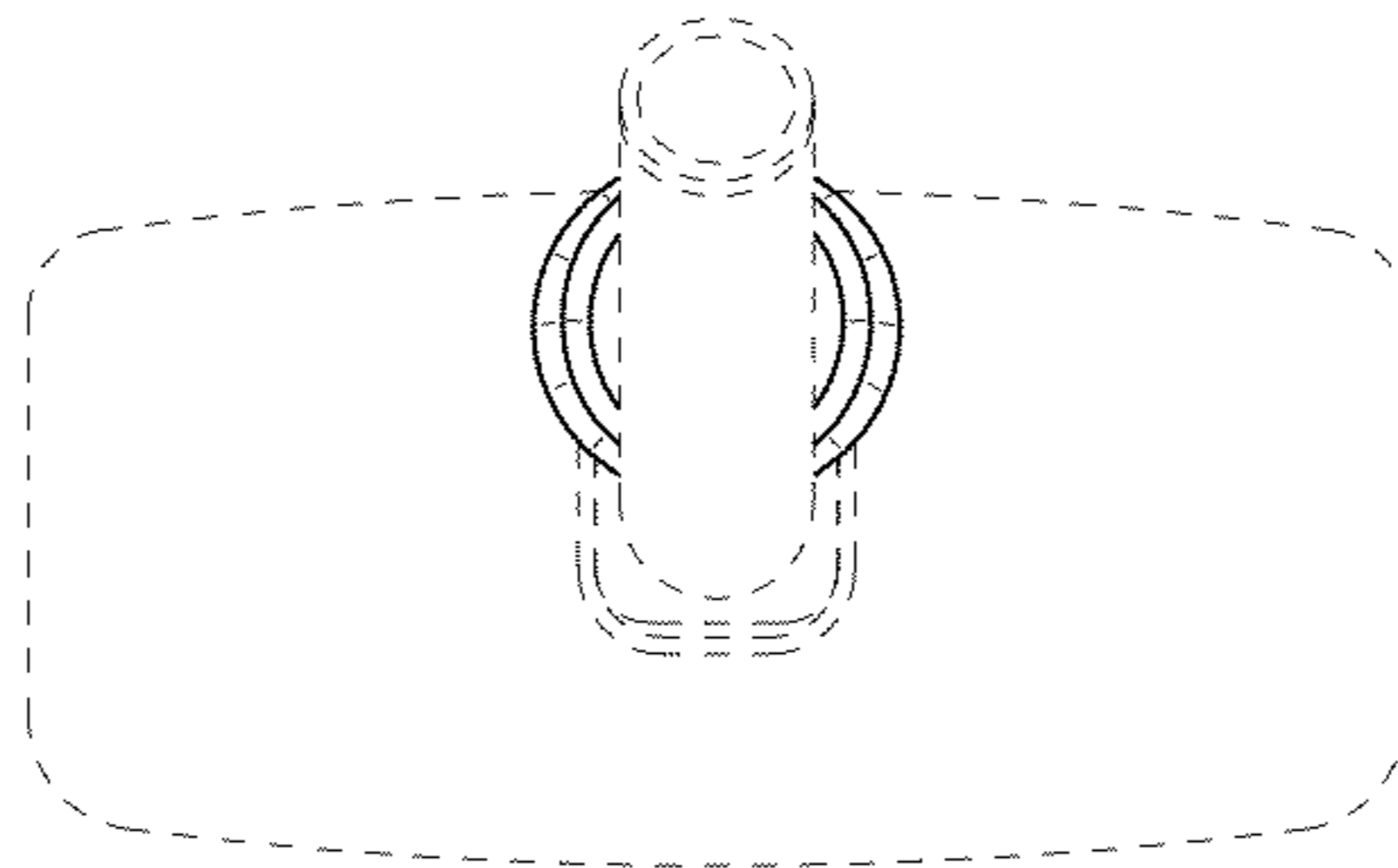


FIG. 7

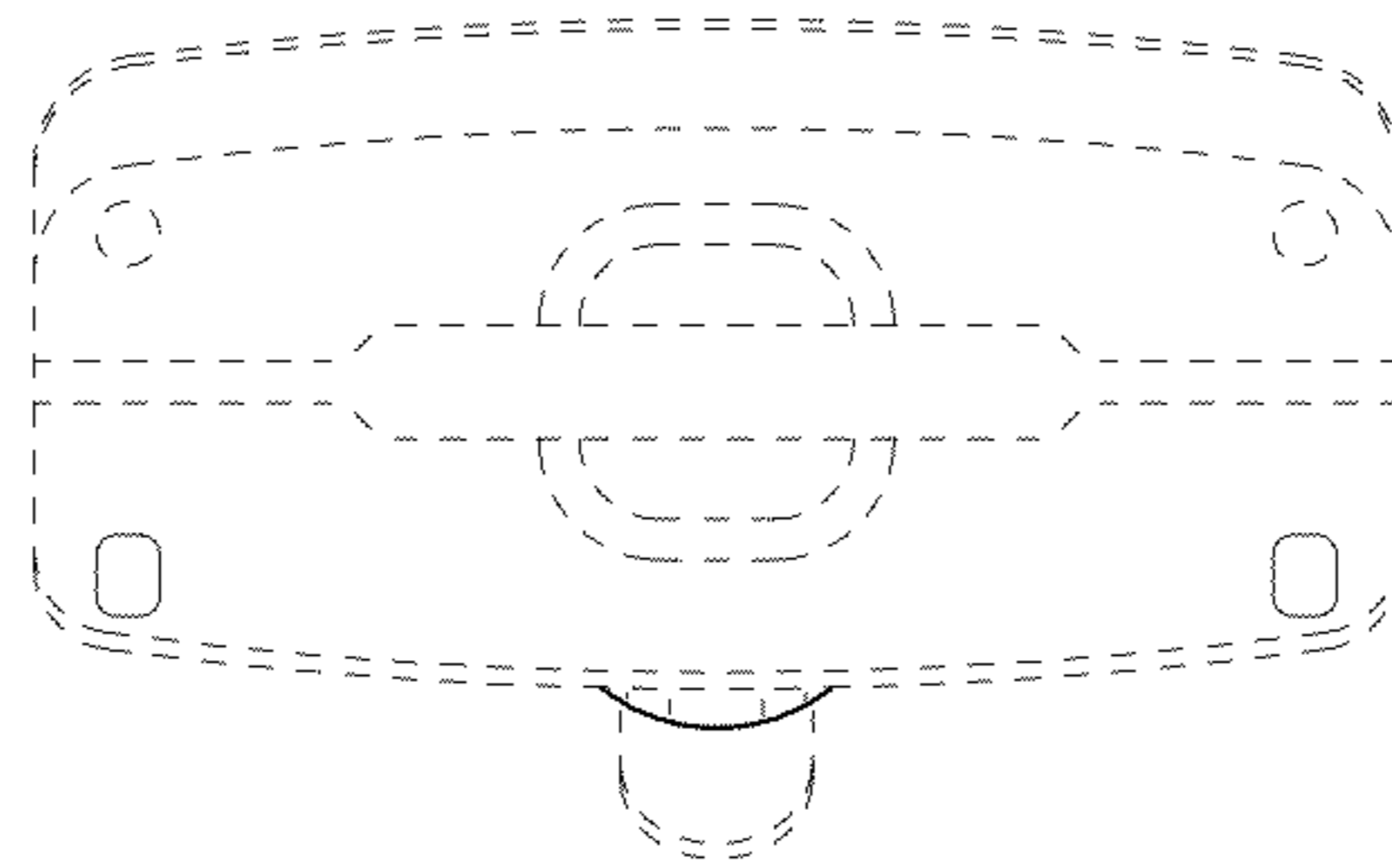


FIG. 8

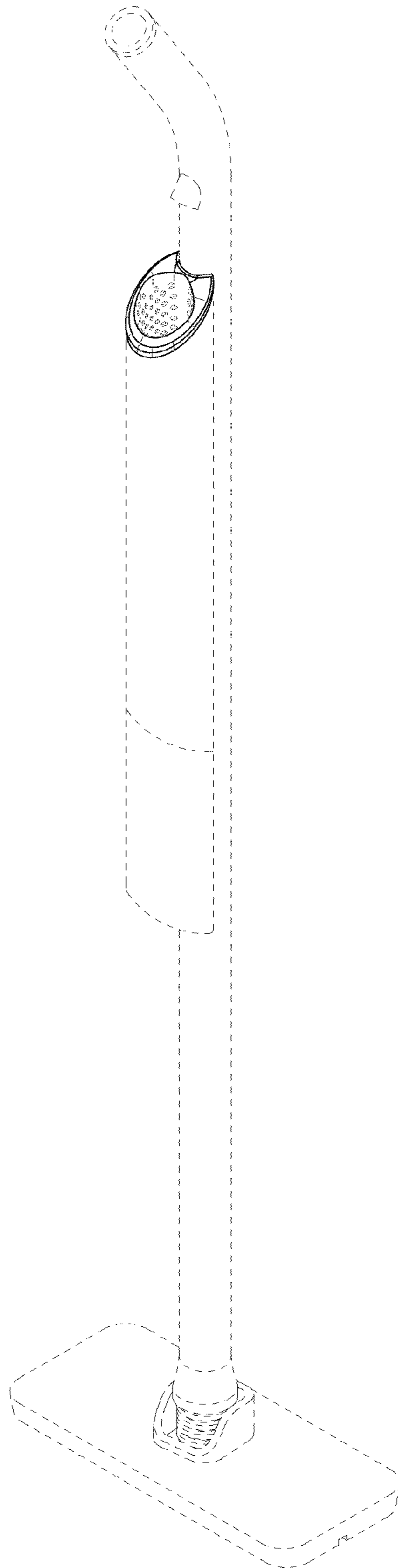


FIG. 9

