



US00D742080S

(12) **United States Design Patent**
Rigon

(10) **Patent No.:** **US D742,080 S**
(45) **Date of Patent:** **** Oct. 27, 2015**

(54) **PRESSURE WASHER**

7,482,706 B2 1/2009 Uchimi et al.
D591,014 S * 4/2009 Li D32/15
D596,367 S * 7/2009 Katz D34/19

(71) Applicant: **Briggs & Stratton Corporation**,
Wauwatosa, WI (US)

(Continued)

(72) Inventor: **Davide Rigon**, Marcaria (IT)

FOREIGN PATENT DOCUMENTS

(73) Assignee: **Briggs & Stratton Corporation**,
Wauwatosa, WI (US)

GB 4201427 * 10/2011

(**) Term: **14 Years**

(21) Appl. No.: **29/470,004**

(22) Filed: **Oct. 16, 2013**

(51) **LOC (10) Cl.** **15-05**

(52) **U.S. Cl.**
USPC **D32/15**

(58) **Field of Classification Search**
USPC D32/16, 21, 15; 15/323, 246.4;
190/108; D34/14, 19, 12; D3/279;
280/47.26; D23/359; D15/5

See application file for complete search history.

OTHER PUBLICATIONS

Water pressure washers, Announced Apr. 18, 2011, [Site Visited Dec. 22, 2014]http://www.japantoday.com/category/new-products/view/water-pressure-washers.*

(Continued)

Primary Examiner — Eric Goodman
Assistant Examiner — Luqman McNeil
(74) *Attorney, Agent, or Firm* — Foley & Lardner LLP

(57) **CLAIM**

I claim the ornamental design for a pressure washer, as shown and described.

DESCRIPTION

FIG. 1 is a front perspective view from above of the claimed design according to one embodiment; FIG. 2 is a front view of the claimed design of FIG. 1; FIG. 3 is a rear view of the claimed design of FIG. 1; FIG. 4 is a left side view of the claimed design of FIG. 1; FIG. 5 is a right side view of the claimed design of FIG. 1; FIG. 6 is a top view of the claimed design of FIG. 1; and, FIG. 7 is a bottom view of the claimed design of FIG. 1.

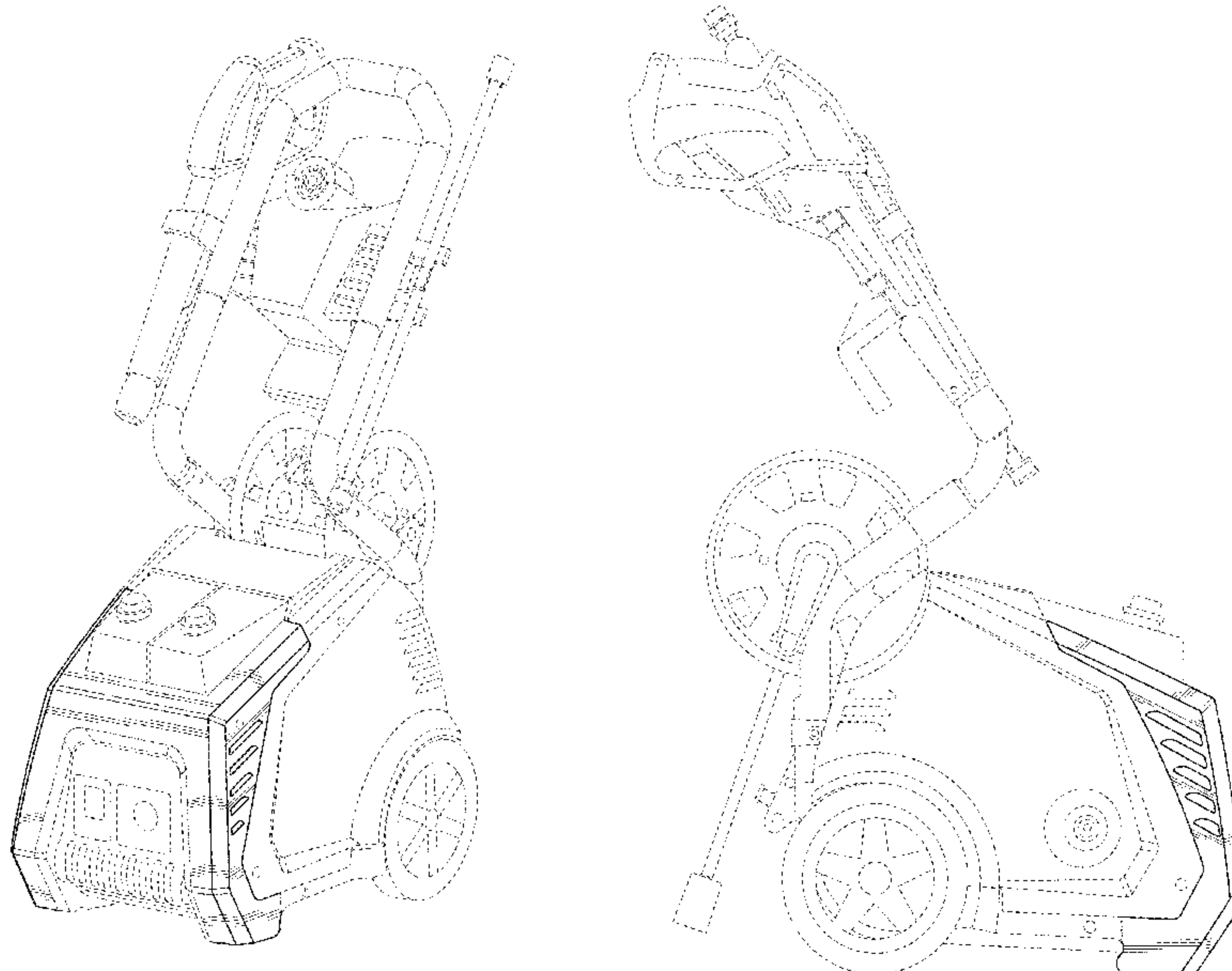
The broken lines in the drawings are for illustrative purposes only and form no part of the claimed design. Broken lines formed by equal length dashes show unclaimed portions of the design. Broken lines formed of unequal length dashes (i.e., dash-dot) show boundaries between claimed and unclaimed portions of the design.

1 Claim, 7 Drawing Sheets

(56) **References Cited**

U.S. PATENT DOCUMENTS

D280,318 S	8/1985	Barone	
4,721,070 A	1/1988	Tanaka et al.	
5,977,667 A	11/1999	Hirose	
D420,473 S *	2/2000	Shero	D32/16
D496,764 S *	9/2004	Lopano	D32/21
D499,848 S	12/2004	Leasure	
D520,948 S	5/2006	Xiao	
D528,714 S	9/2006	Hong	
7,159,272 B2 *	1/2007	Holsten et al.	15/323
7,232,018 B1 *	6/2007	Salander	190/108
D549,904 S *	8/2007	Eccardt et al.	D32/21
D551,814 S *	9/2007	Renner	D32/15
D565,269 S *	3/2008	Tomasiak et al.	D34/14
D570,777 S	6/2008	Glass et al.	



(56)

References Cited

U.S. PATENT DOCUMENTS

D597,485 S 8/2009 Ma
 D597,945 S 8/2009 Takamura
 D600,205 S 9/2009 Imai
 D617,269 S 6/2010 Van Deursen
 D622,471 S * 8/2010 Hernandez D34/12
 D629,748 S 12/2010 Van Deursen
 D630,851 S * 1/2011 Landau et al. D3/279
 D633,263 S 2/2011 Fay
 7,883,096 B2 * 2/2011 Katz et al. 280/47.26
 D633,443 S 3/2011 Wang et al.
 D634,083 S 3/2011 Fay
 D634,414 S * 3/2011 Wolfe et al. D23/359
 D644,993 S 9/2011 Van Deursen
 D646,853 S * 10/2011 Alexander et al. D32/15
 D647,261 S * 10/2011 Schultz et al. D32/21
 D648,493 S * 11/2011 Alexander et al. D32/15
 D650,739 S 12/2011 Cai
 D660,525 S * 5/2012 Alexander et al. D32/15
 D661,438 S 6/2012 Alexander et al.
 D662,881 S 7/2012 He et al.
 8,210,133 B2 7/2012 Hirose et al.

D667,464 S * 9/2012 Tiefenthaler D15/5
 D668,607 S 10/2012 Van Deursen
 D675,796 S * 2/2013 Benacquisto et al. D32/21
 D688,628 S 8/2013 Van Deursen
 D688,841 S 8/2013 Van Deursen
 D703,137 S 4/2014 Van Deursen
 D704,137 S 5/2014 Shokrzadeh et al.
 D711,319 S 8/2014 Wilcox
 D711,603 S 8/2014 Alenxander et al.
 D728,872 S 5/2015 Alexander et al.
 2005/0189437 A1 9/2005 Alexander et al.
 2006/0102745 A1 5/2006 Dexter
 2008/0115307 A1 * 5/2008 Phelan et al. 15/246.4
 2008/0245425 A1 10/2008 Alexander
 2009/0322100 A1 12/2009 Hiranuma et al.
 2011/0081261 A1 4/2011 Klika et al.
 2014/0026828 A1 1/2014 Kojima et al.
 2014/0037467 A1 2/2014 Raasch
 2014/0256245 A1 9/2014 Qian
 2015/0102121 A1 4/2015 Dey et al.

OTHER PUBLICATIONS

U.S. Appl. No. 29/469,215, filed Oct. 8, 2013, Janik et al.

* cited by examiner

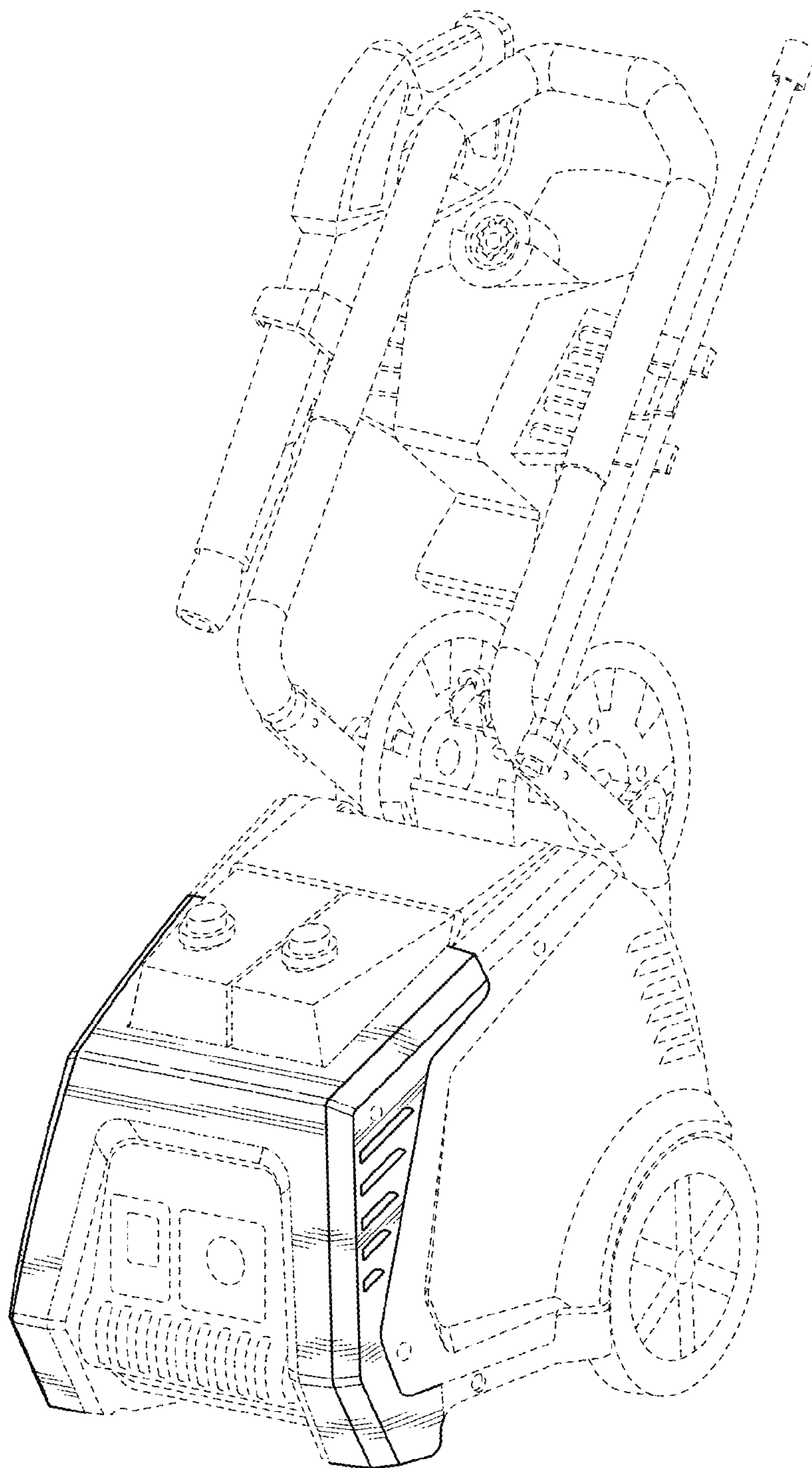


FIG. 1

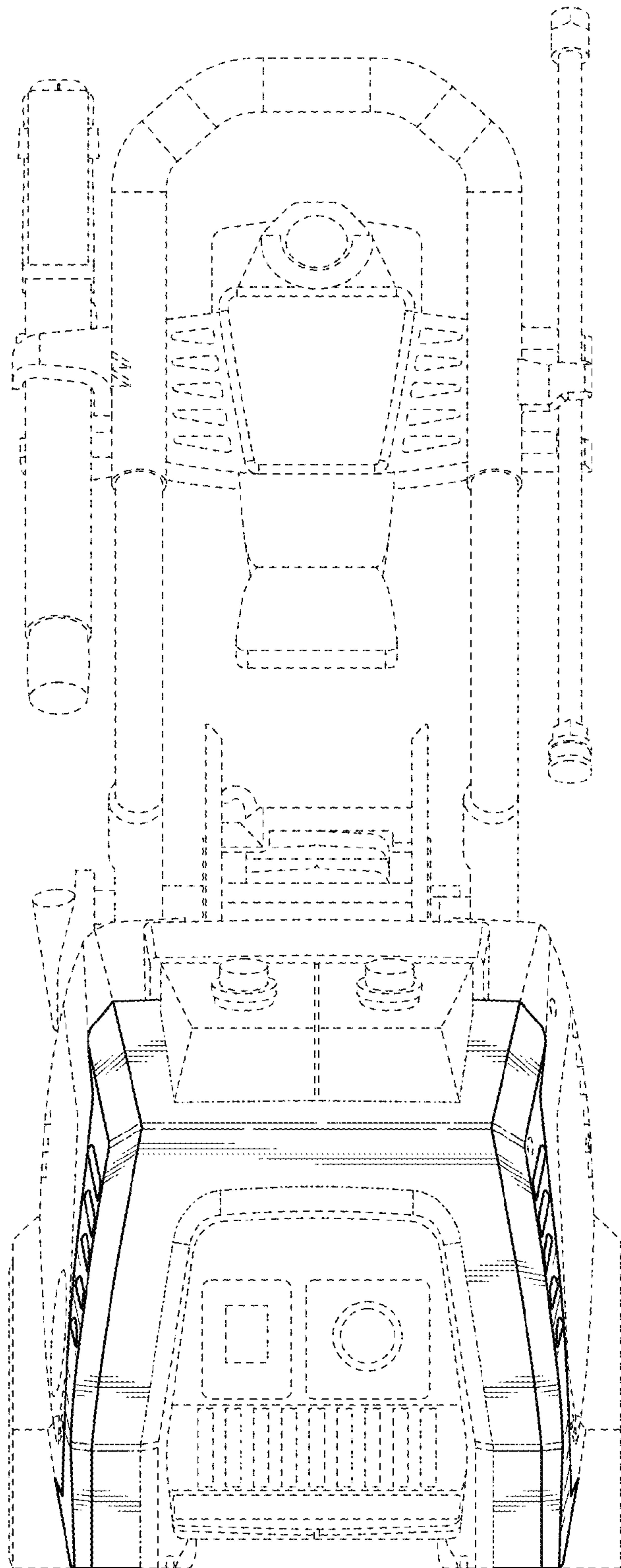


FIG. 2

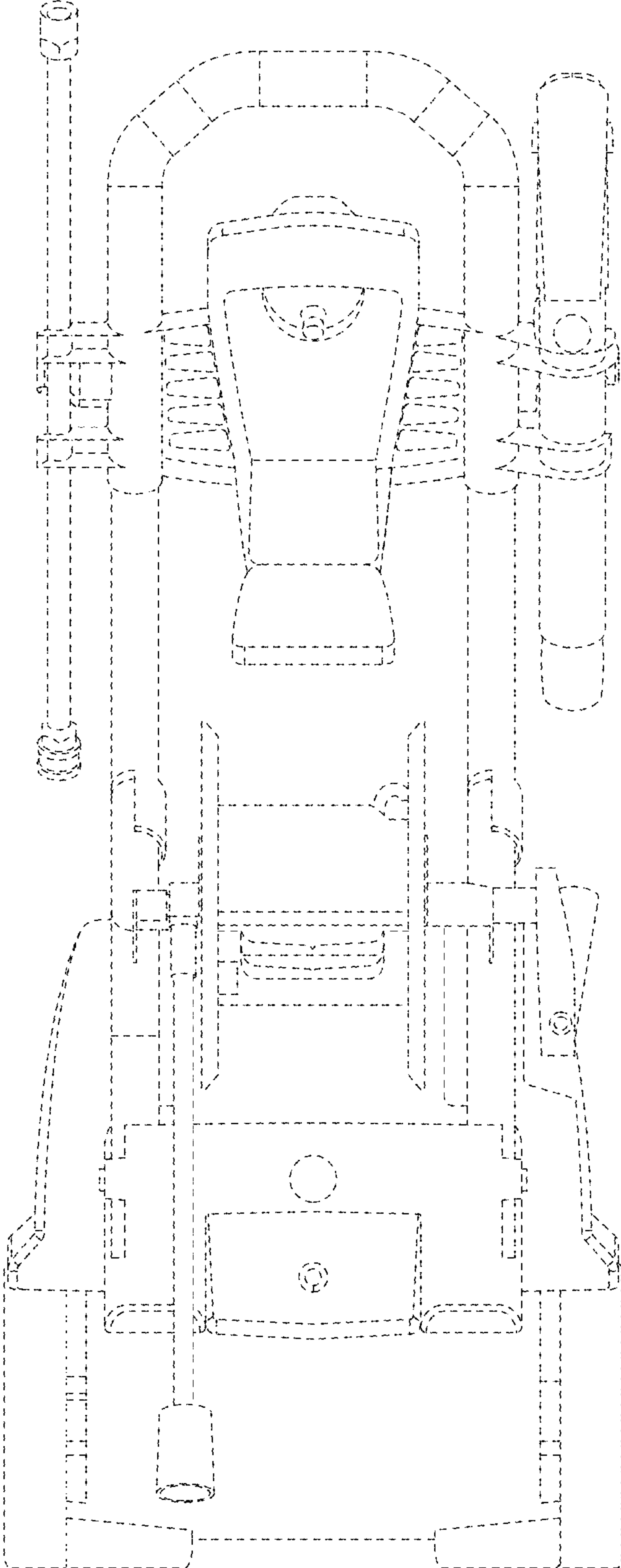


FIG. 3

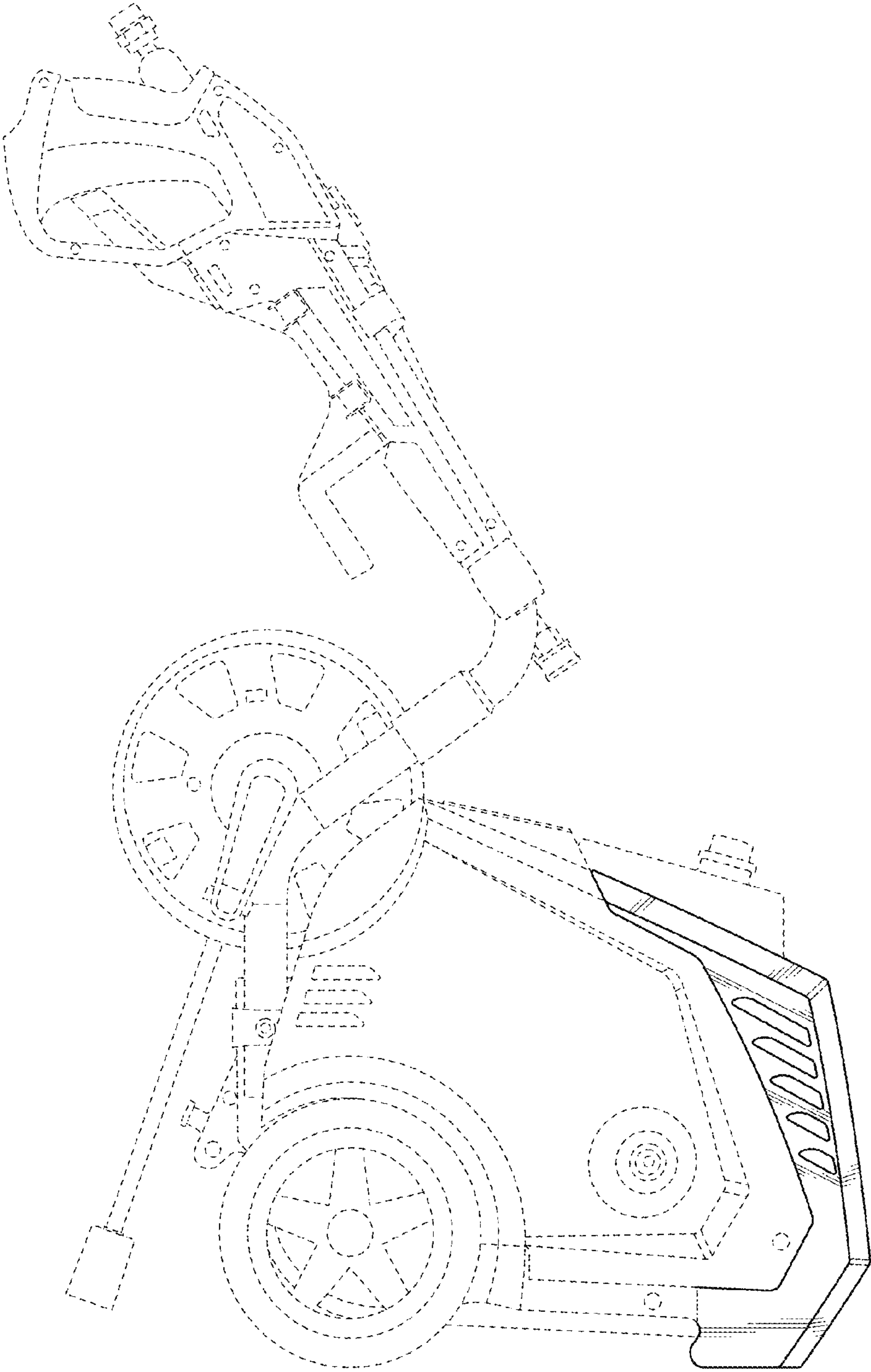


FIG. 4

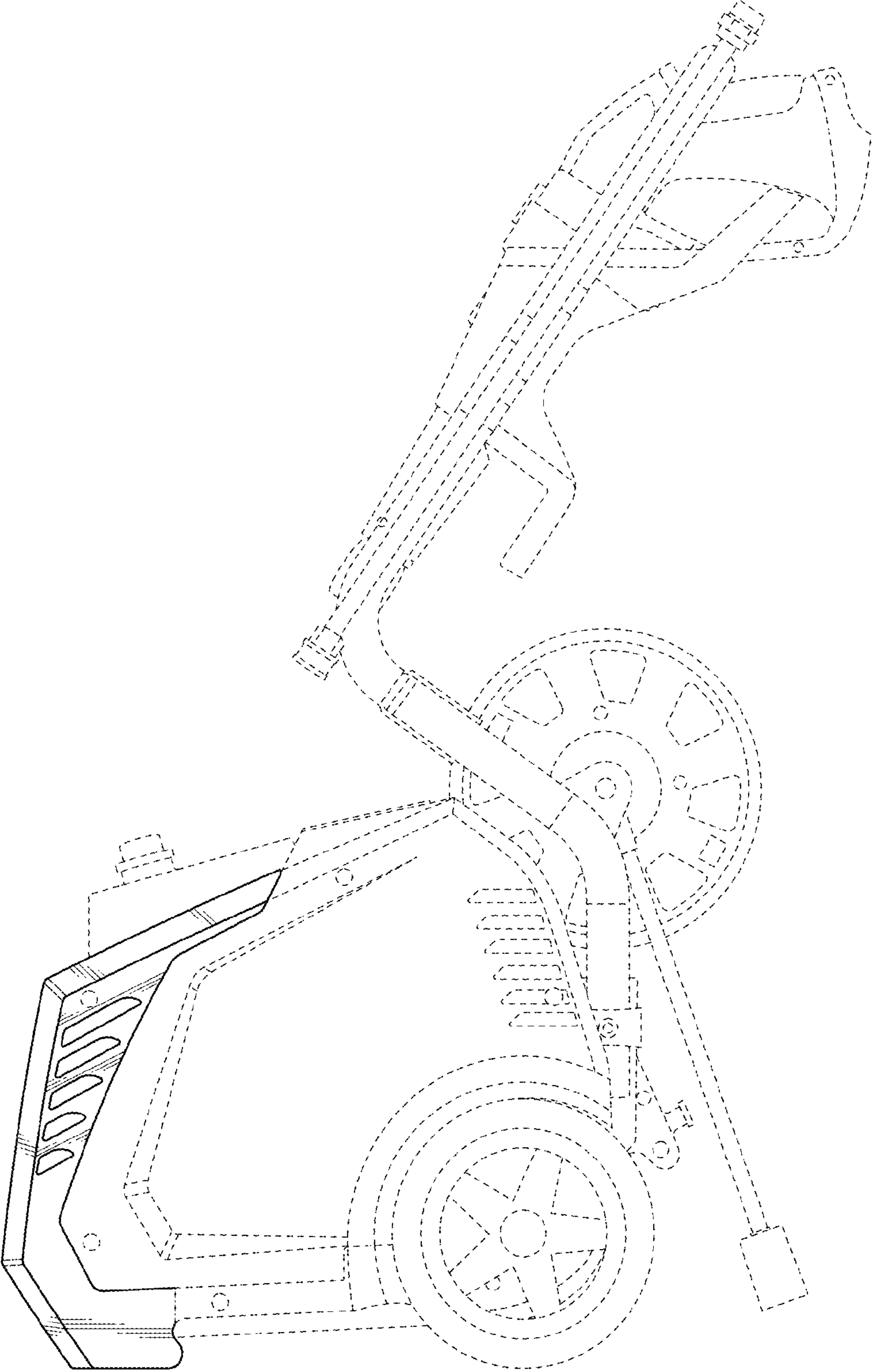


FIG. 5

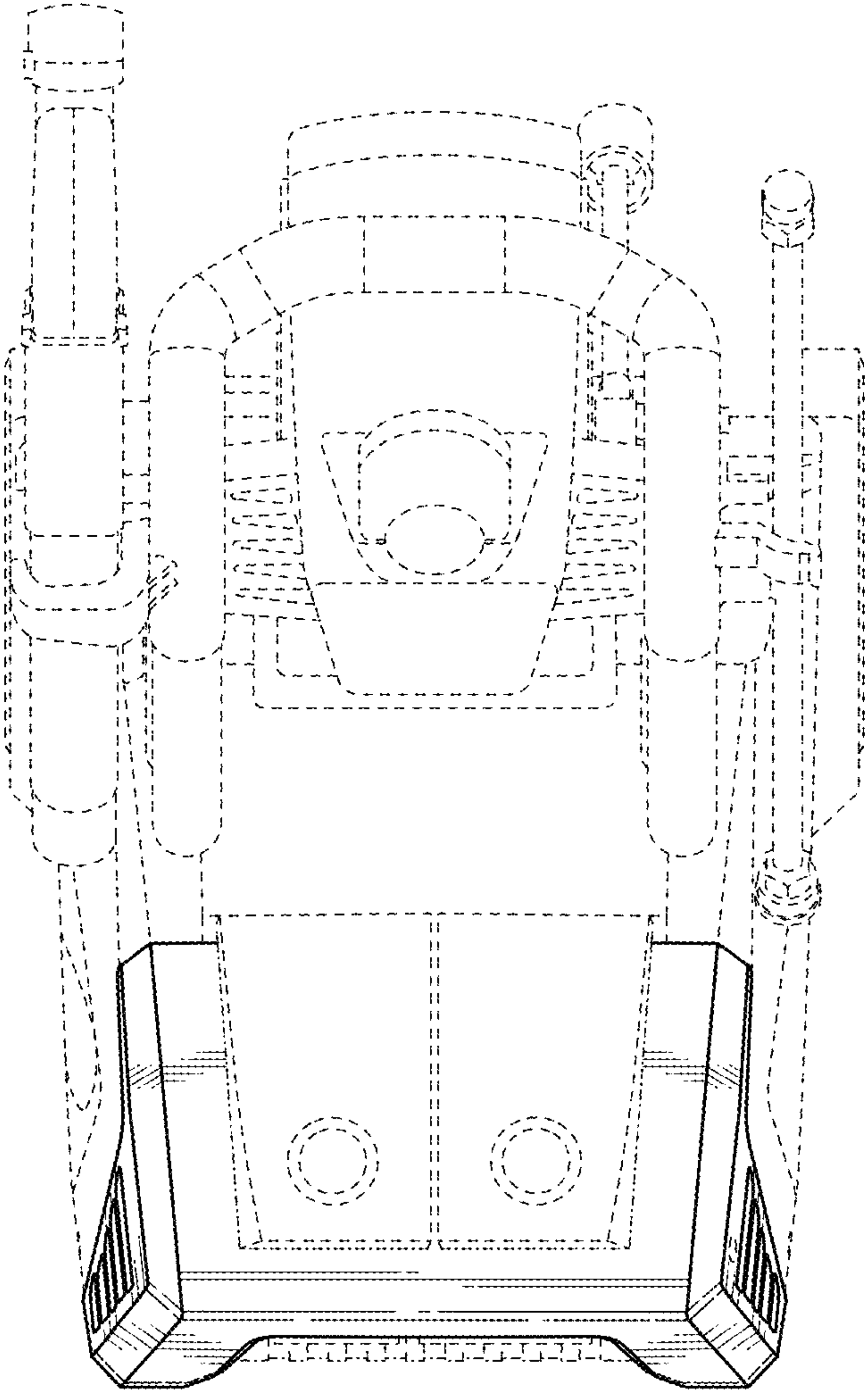


FIG. 6

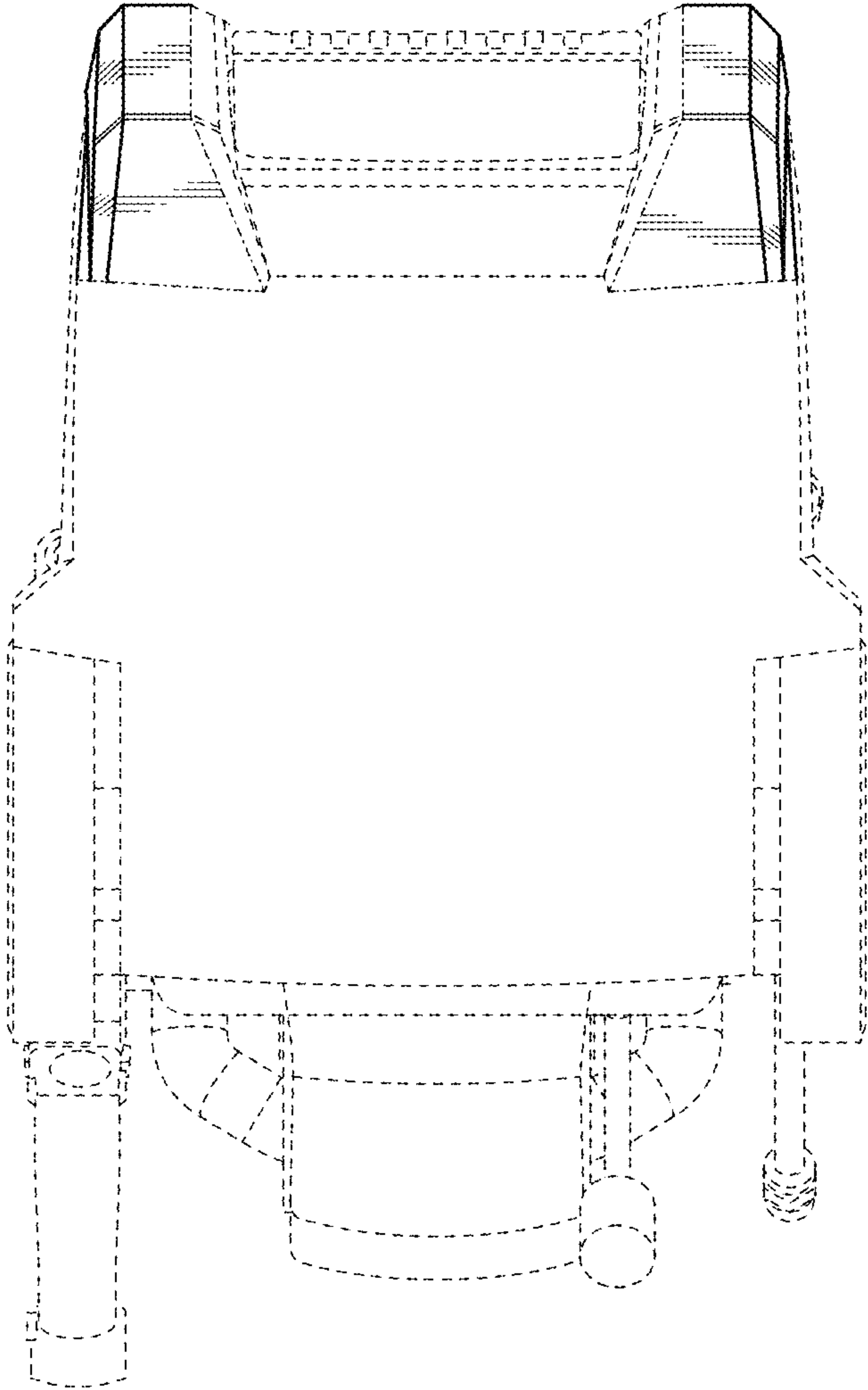


FIG. 7