

US00D742079S

(12) **United States Design Patent**
Jakubowski et al.

(10) **Patent No.:** **US D742,079 S**
(45) **Date of Patent:** **** Oct. 27, 2015**

- (54) **L-SHAPED STAIR UNIT**
- (71) Applicant: **Vermont Juvenile Furniture Mfg., Inc.,**
West Rutland, VT (US)
- (72) Inventors: **Chris Jakubowski, Rutland, VT (US);**
Todd Jakubowski, Rutland, VT (US)
- (73) Assignee: **Vermont Juvenile Furniture Mfg., Inc.,**
West Rutland, VT (US)
- (**) Term: **14 Years**
- (21) Appl. No.: **29/492,847**
- (22) Filed: **Jun. 3, 2014**
- (51) **LOC (10) Cl.** **30-99**
- (52) **U.S. Cl.**
USPC **D30/199**
- (58) **Field of Classification Search**
USPC D30/118, 119, 199; D25/62, 63, 68, 69;
52/182; 182/23, 33-33.5, 106, 115;
119/706, 753, 847, 849; D21/483;
297/118
CPC A01K 1/035; A01K 29/00; E04F 11/00;
E04F 11/02; E04F 11/025; E04F 11/035;
E04F 11/104
See application file for complete search history.

- 2010/0319278 A1* 12/2010 Grenier 52/182
- 2011/0017547 A1* 1/2011 Lee et al. 182/23
- 2011/0209672 A1* 9/2011 Moore, III 119/847
- 2012/0060769 A1* 3/2012 Weber 119/847
- 2013/0069265 A1 3/2013 Djoboulian

OTHER PUBLICATIONS

- “3-Step”—Website—<http://www.puppystairs.com/3-step/>; dated Jan. 1, 2013.
- “Muji Life”—Website—https://www.muji.eu/images/pdf/Mujilife-2013/MUJILIFE_2013_UK.pdf; dated Jan. 1, 2013.
- “Foam Shapes”—Website—http://www.appleathletic.com/foam_shapes.html; dated Jan. 1, 2013.
- “Skill Shapes”—Website—<http://www.unitedathletic.com/SkillShapes.html>; dated Jan. 1, 2013.
- “Basic Play Set”—Website—<http://www.beyondplay.com/ITEMS/G291.HTM>; dated Jan. 1, 2013.
- “Pet Steps”—Website—http://www.drsofostersmith.com/images/Categoryimages/normal/p-9840-56809N_773.jpg; dated Jan. 1, 2013.

* cited by examiner

Primary Examiner — Martie K Holtje
(74) *Attorney, Agent, or Firm* — Volpe and Koenig, P.C.

(57) **CLAIM**

The ornamental design for an L-shaped stair unit, as shown and described.

DESCRIPTION

FIG. 1 is a top, front, right perspective view of an L-shaped stair unit in accordance with our design; FIG. 2 is a top, right, rear perspective view thereof; FIG. 3 is a right side elevational view thereof; FIG. 4 is a left side elevational view thereof; FIG. 5 is a rear elevational view thereof; FIG. 6 is a front elevational view thereof; FIG. 7 is a bottom view thereof; FIG. 8 is a top plan view thereof; and, FIG. 9 is a top, front, left perspective view thereof showing an alternative arrangement of the L-shaped stair unit of FIGS. 1-8.

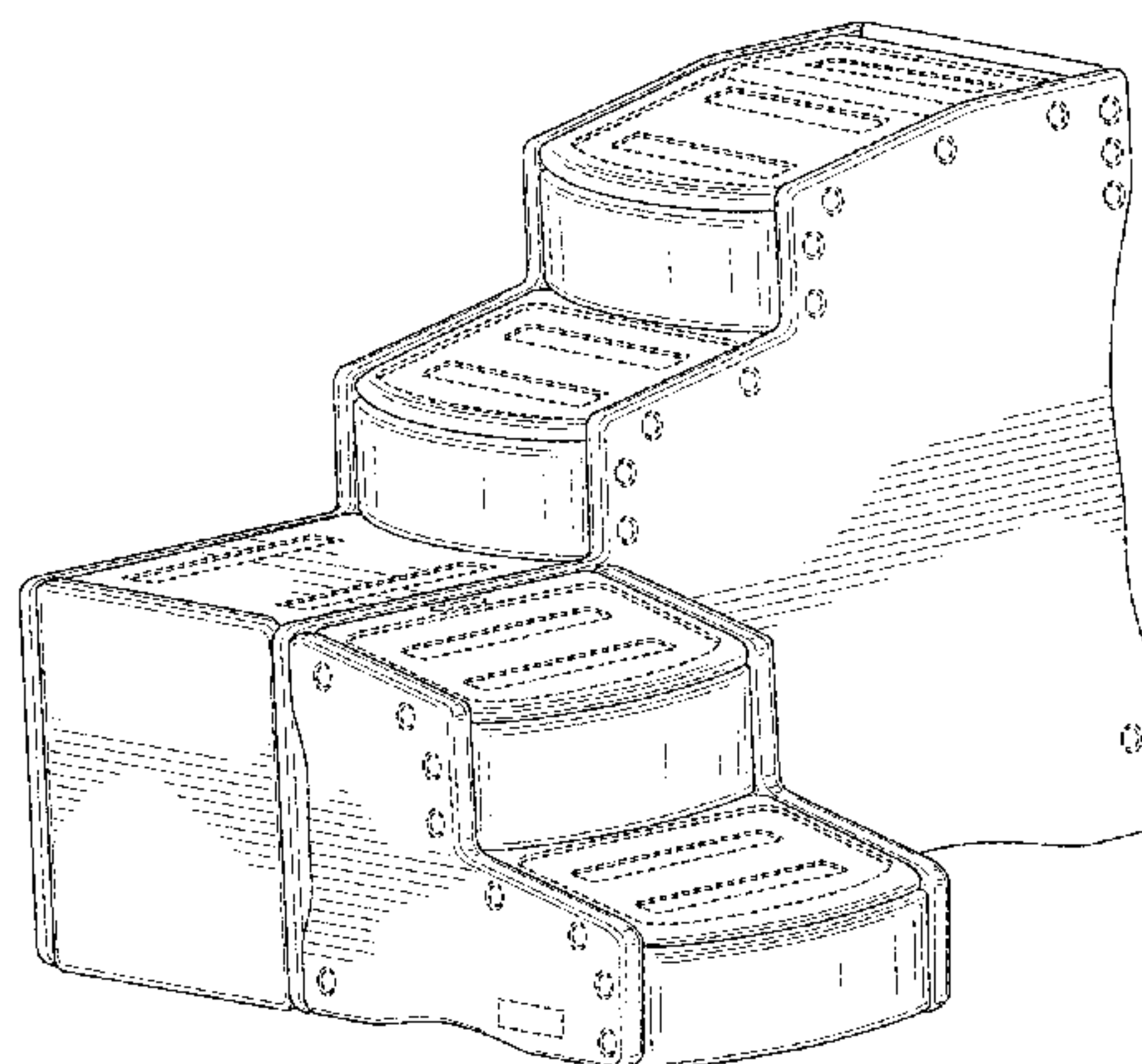
The structural elements depicted by broken lines have been shown for the purpose of illustrating portions of the L-shaped stair unit that form no part of the claimed design.

1 Claim, 9 Drawing Sheets

(56) **References Cited**

U.S. PATENT DOCUMENTS

- 4,378,862 A * 4/1983 Carmel 182/106
- 5,094,505 A * 3/1992 Nichols 297/118
- D429,038 S * 8/2000 Forester D30/119
- 6,543,191 B1 * 4/2003 Kress 52/182
- D482,458 S * 11/2003 Limber D25/65
- 6,964,246 B2 11/2005 Wolfington et al.
- D548,898 S * 8/2007 Northrop et al. D30/199
- D623,808 S * 9/2010 Weber D30/199
- D640,015 S * 6/2011 Birck D30/118
- 8,037,649 B2 10/2011 Jakubowski et al.
- 2004/0079297 A1* 4/2004 Wolfington et al. 119/849
- 2004/0244724 A1* 12/2004 Runge 119/847
- 2006/0225372 A1* 10/2006 Gonzalez 52/182
- 2007/0089690 A1* 4/2007 Khubani et al. 119/847



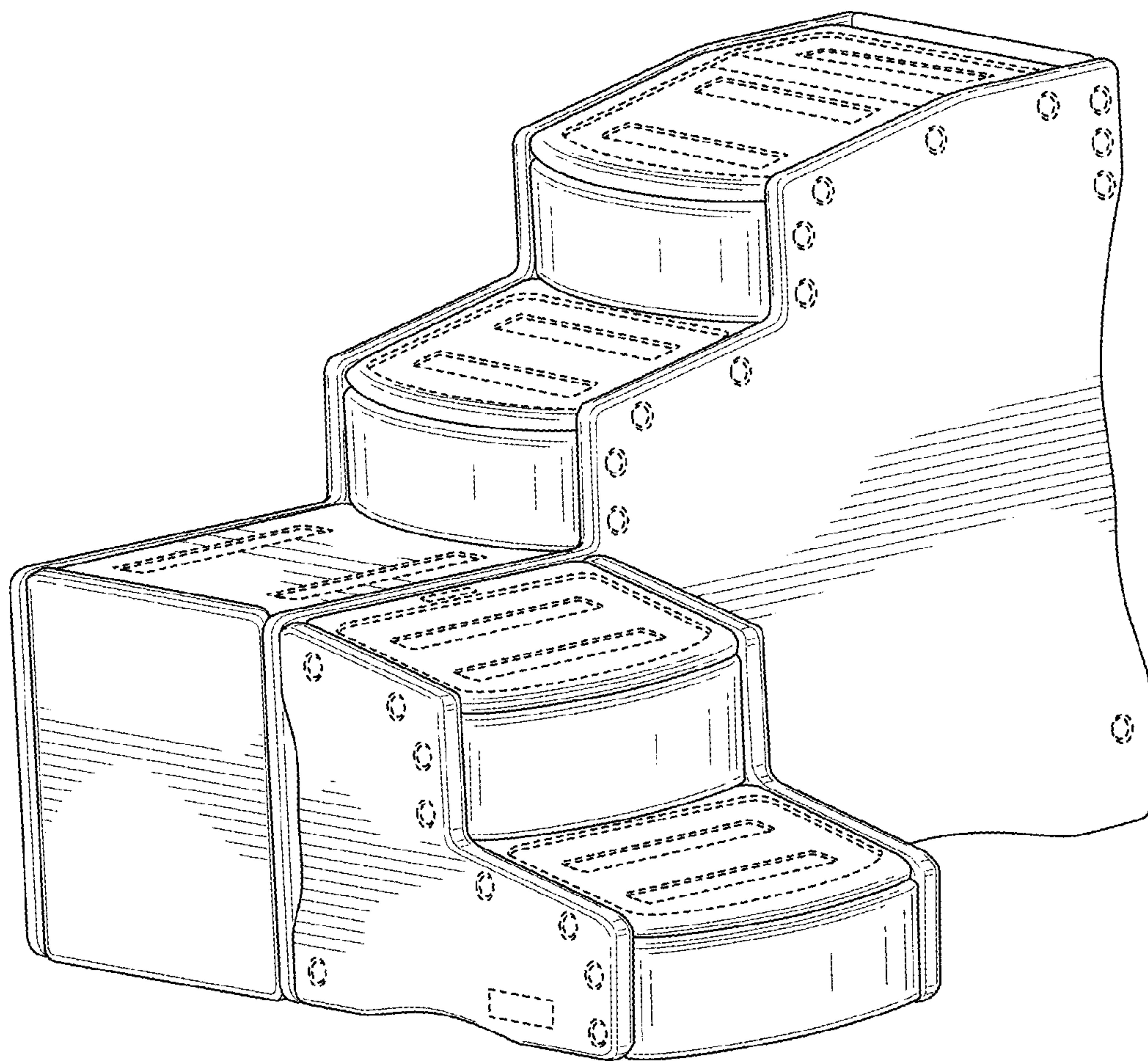


FIG. 1

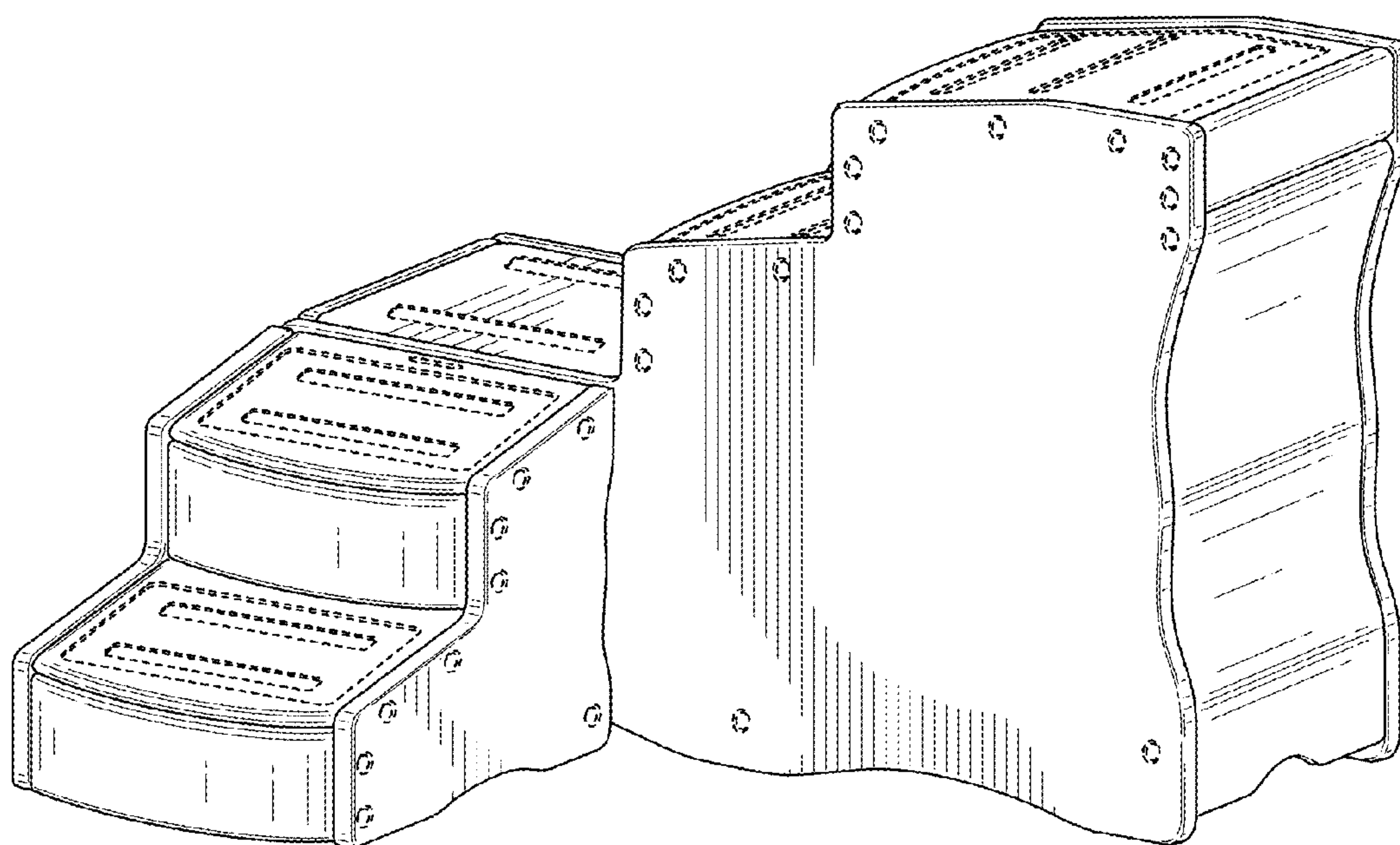


FIG. 2

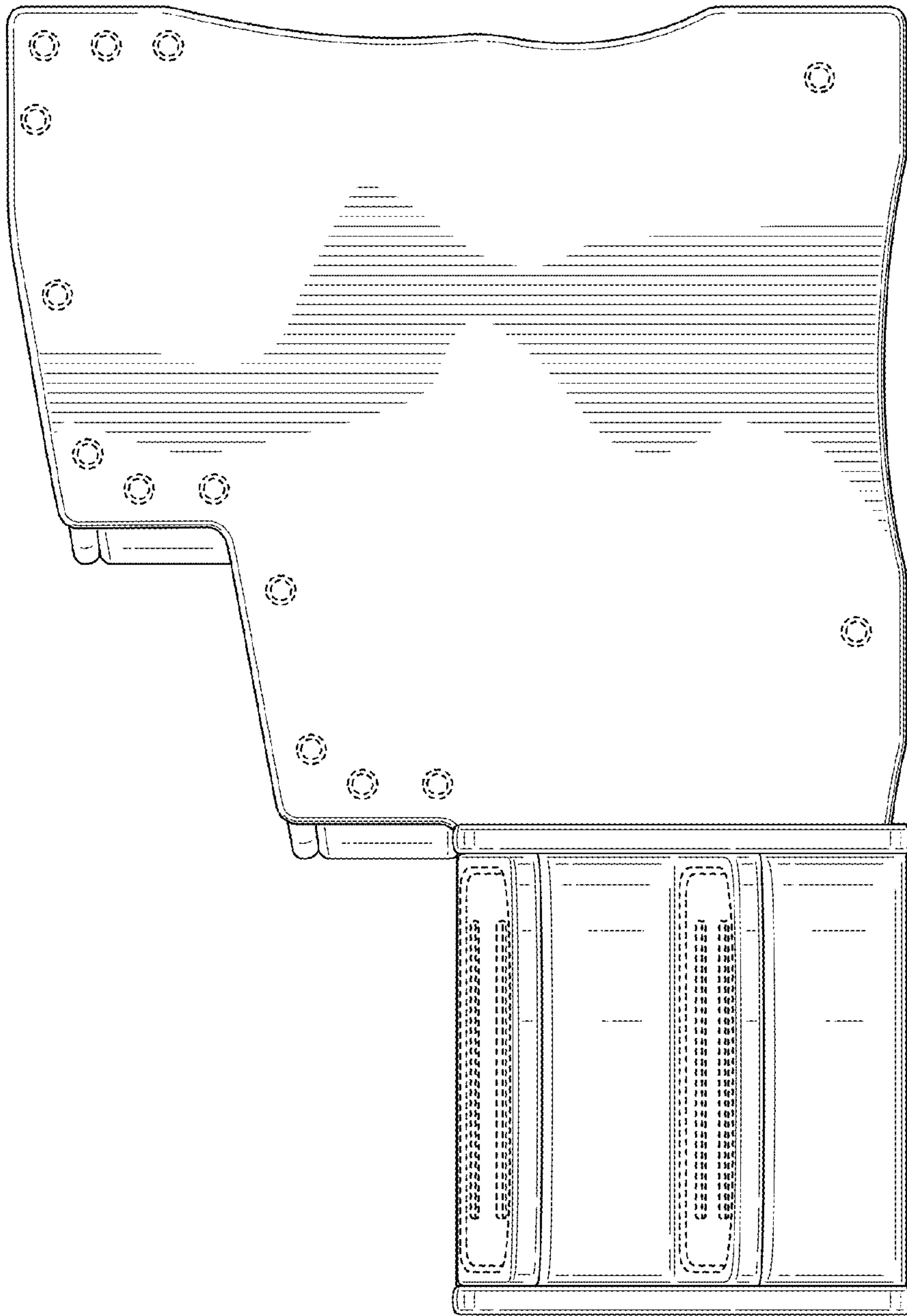


FIG. 3

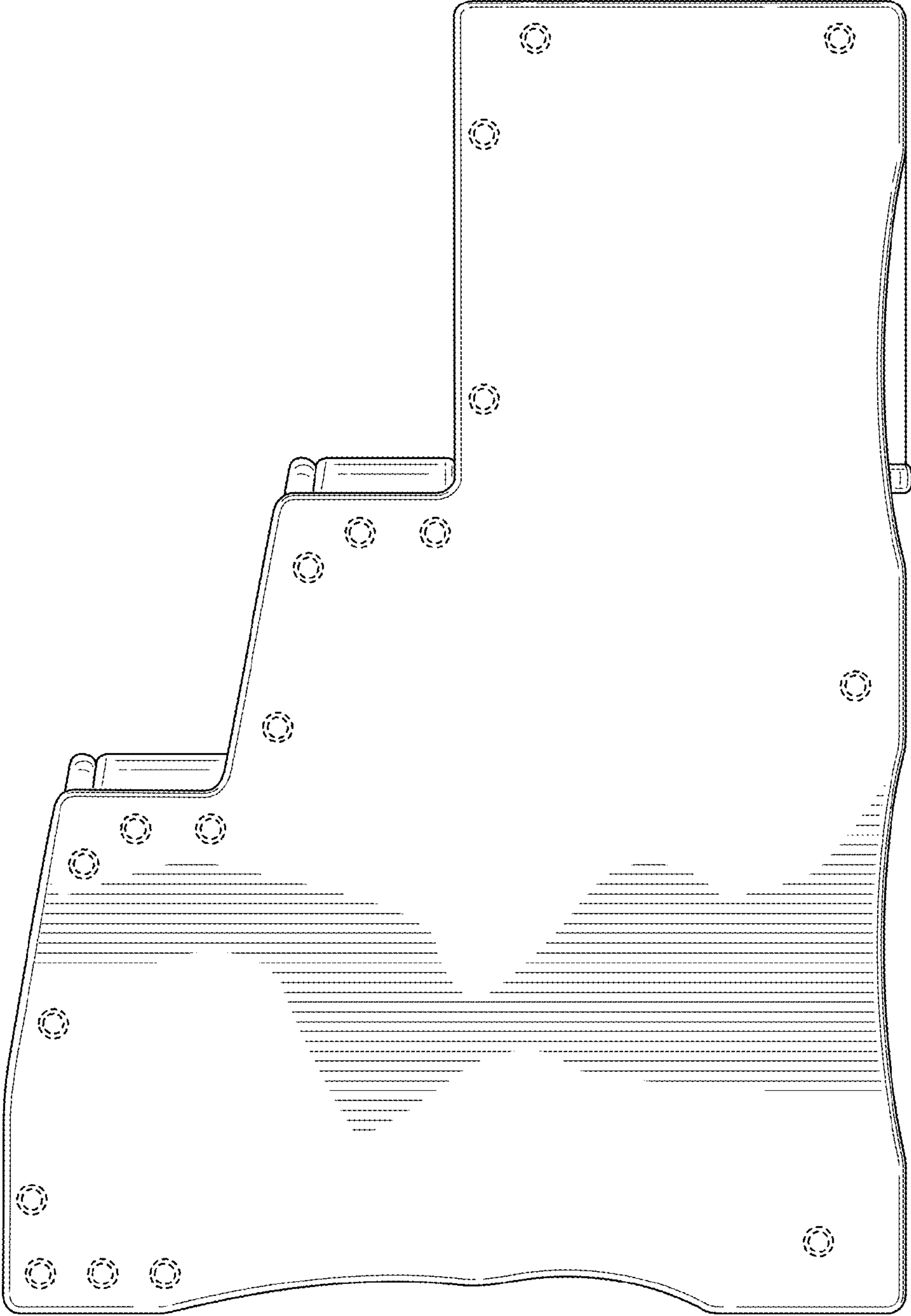


FIG. 4

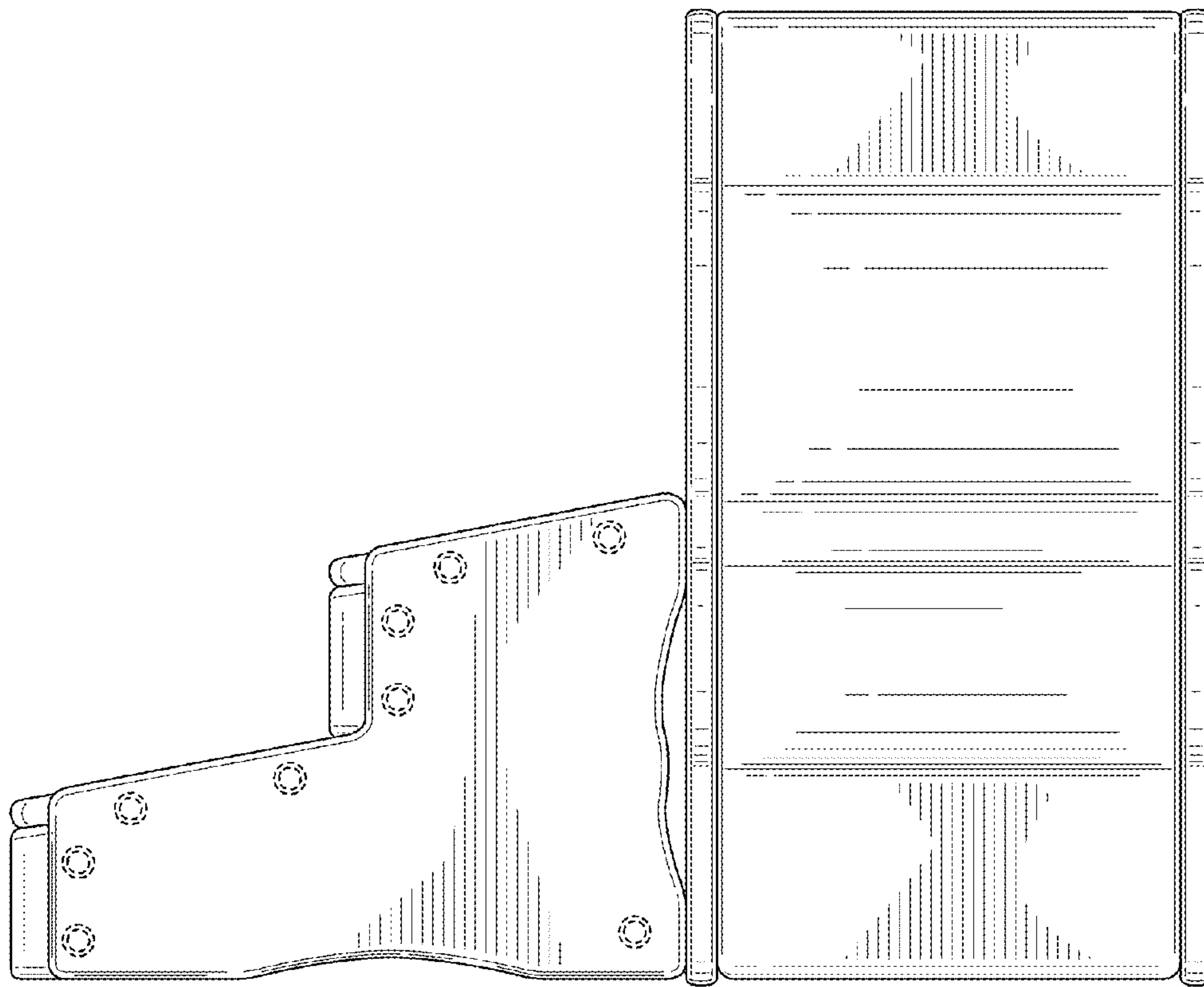


FIG. 5

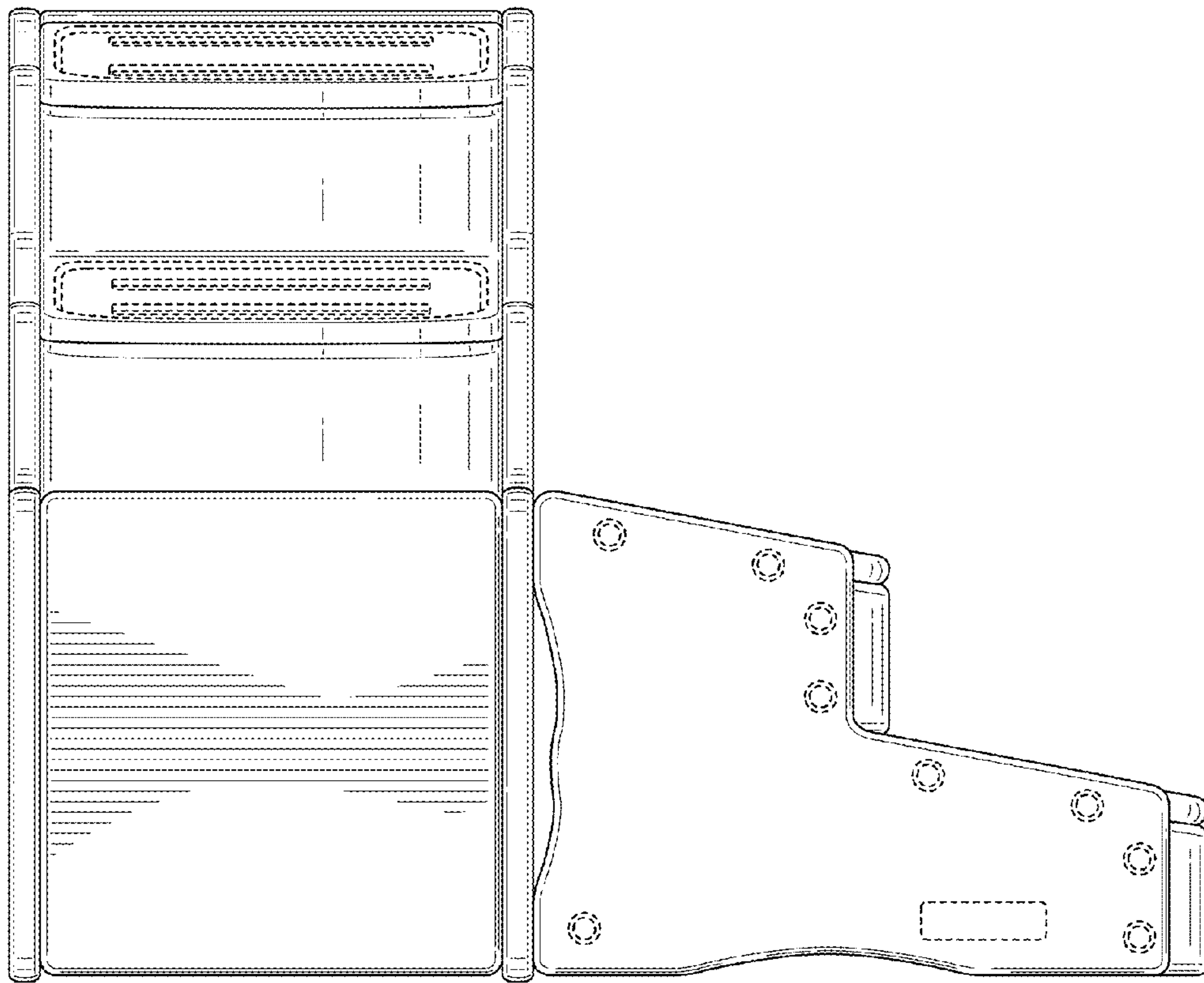


FIG. 6

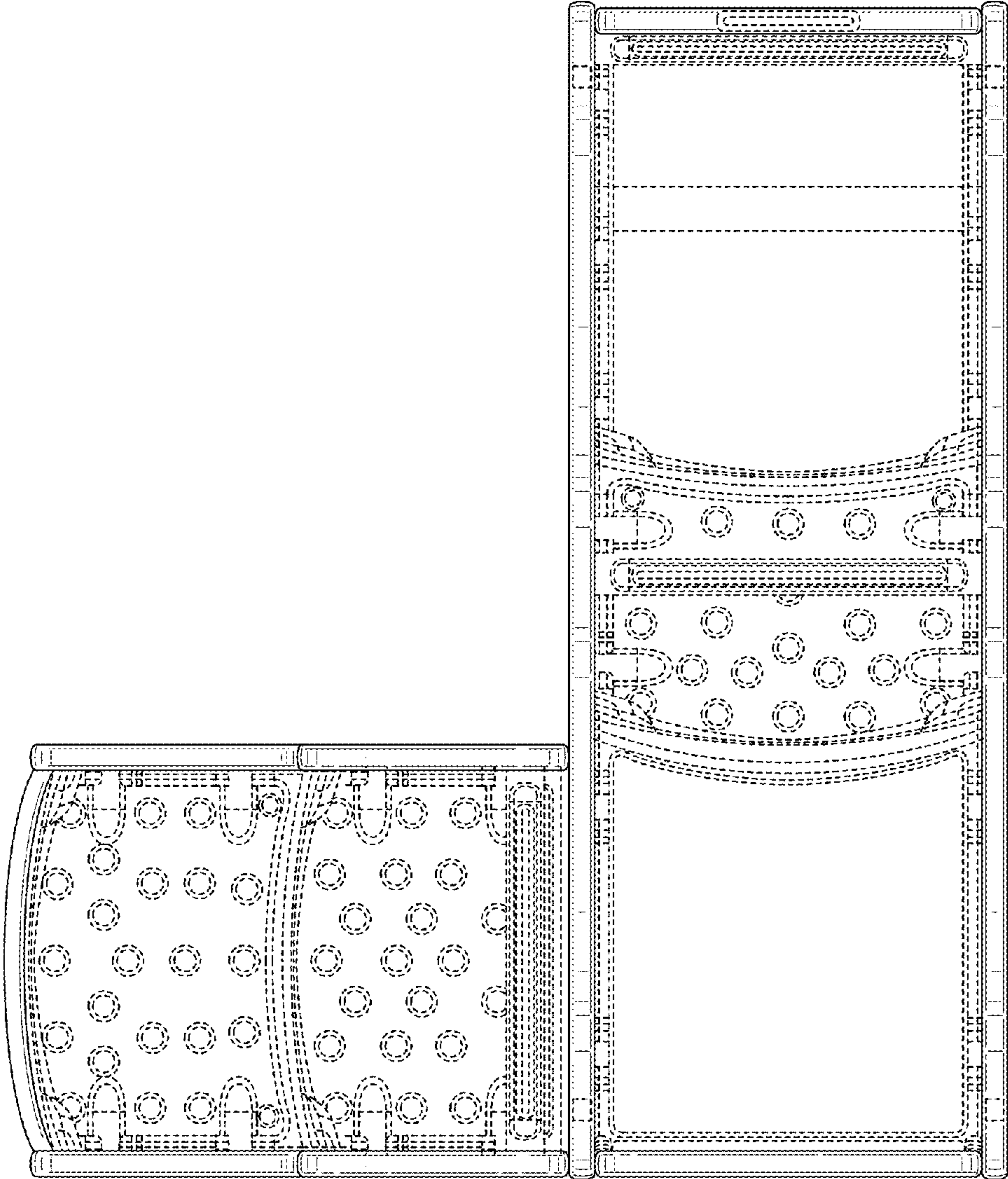


FIG. 7

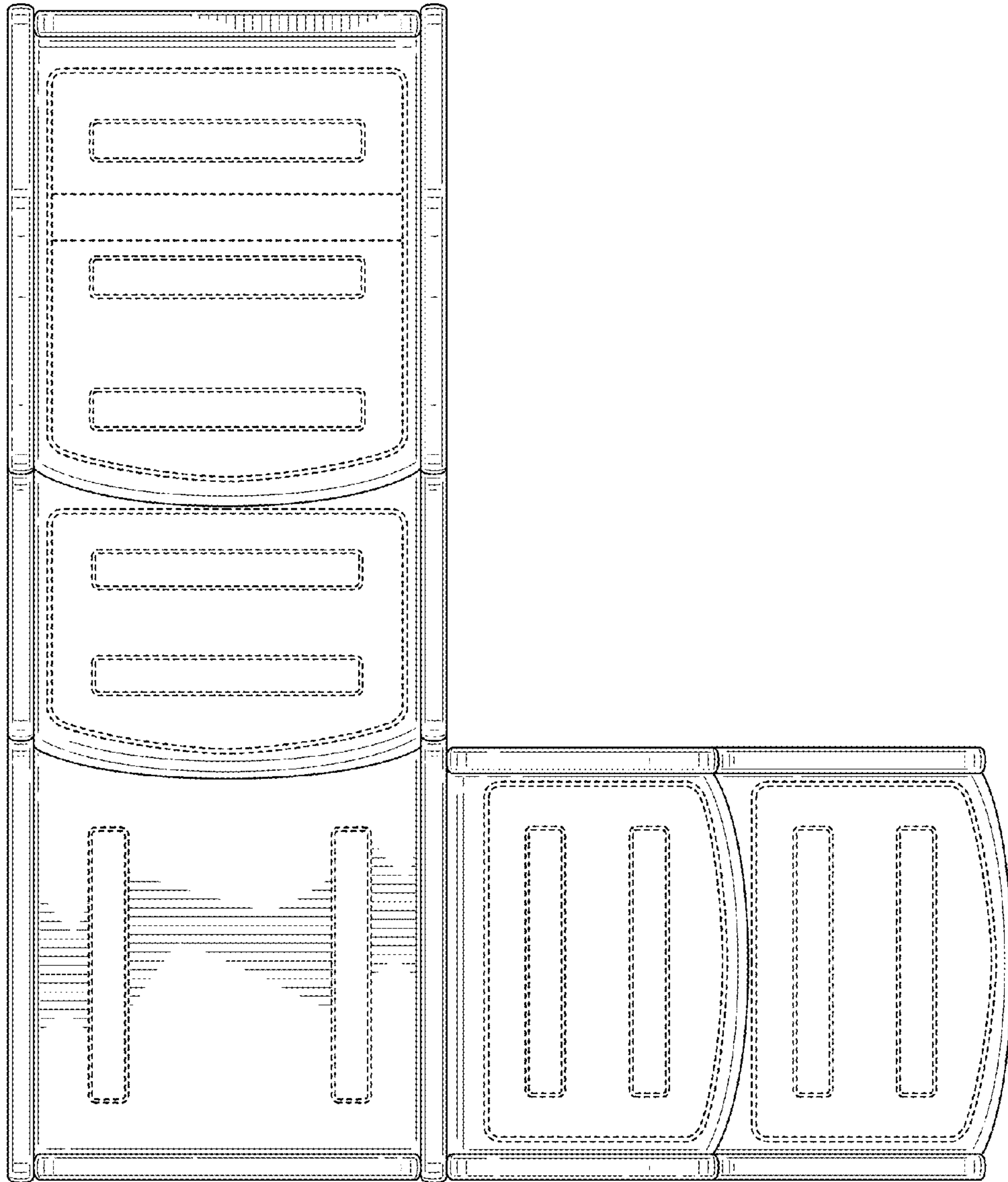


FIG. 8

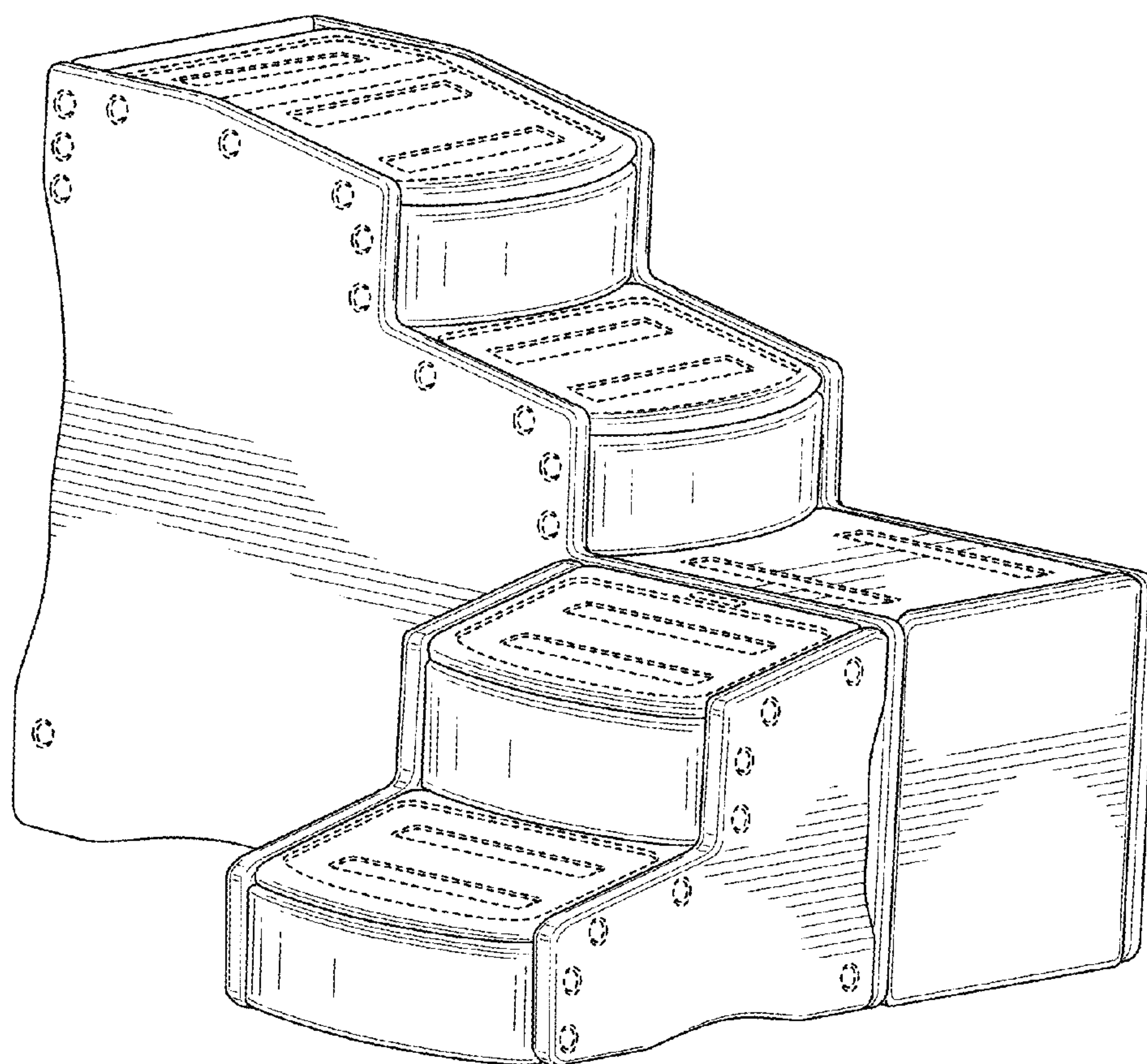


FIG. 9