



US00D742075S

(12) **United States Design Patent**
Zhou

(10) **Patent No.:** **US D742,075 S**
(45) **Date of Patent:** **** Oct. 27, 2015**

- (54) **WELDING HELMET**
- (71) Applicant: **Jianrong Zhou**, Zhejiang Province (CN)
- (72) Inventor: **Jianrong Zhou**, Zhejiang Province (CN)
- (73) Assignee: **NINGBO GEOSTAR ELECTRONICS CO., LTD.**, Zhejiang Province (CN)
- (**) Term: **14 Years**
- (21) Appl. No.: **29/495,947**
- (22) Filed: **Jul. 7, 2014**
- (51) **LOC (10) Cl.** **29-02**
- (52) **U.S. Cl.**
USPC **D29/110**
- (58) **Field of Classification Search**
USPC D29/100, 102, 105, 106, 107, 108, 110;
2/455, 410, 6.3, 6.7, 7, 8.2, 424, 425,
2/15, 427, 431, 432, 9, 171, 173, 206;
D24/110.1, 110.2, 110.3; 128/857,
128/858, 201.22, 201.23, 201.24, 206.12
CPC A42B 3/225; A42B 3/18; A42B 3/20;
A42B 3/32; A42B 3/322; A42B 3/324;
A42B 3/326; A42B 3/328; A42B 3/06;
F41H 1/04; F41H 1/06; F41H 1/08; A41B
3/00; A61F 9/06; A61F 9/061; A61F 9/062;
A61F 9/064; A63B 71/10; A63B 2071/105;
A63B 71/08; A63B 71/081
See application file for complete search history.

(56) **References Cited**
U.S. PATENT DOCUMENTS

- 2,644,159 A * 7/1953 Jacobs 2/8.5
- 5,533,206 A * 7/1996 Petrie et al. 2/8.5

- D398,421 S * 9/1998 Crafoord et al. D29/110
- D481,832 S * 11/2003 Huh D29/110
- D489,492 S * 5/2004 Wu D29/110
- D521,190 S * 5/2006 Wu D29/110
- D530,864 S * 10/2006 Huh D29/110
- D540,989 S * 4/2007 Huh D29/110
- D540,990 S * 4/2007 Huh D29/110
- D584,858 S * 1/2009 Wang D29/110
- D636,129 S * 4/2011 Wu D29/110
- D637,353 S * 5/2011 Wang D29/110
- D654,224 S * 2/2012 Wu D29/110
- D654,225 S * 2/2012 Wu D29/110
- D654,226 S * 2/2012 Wu D29/110
- D654,634 S * 2/2012 Wu D29/110
- D700,402 S * 2/2014 Zhou D29/110
- 8,955,162 B2 * 2/2015 Huh 2/8.8
- D728,163 S * 4/2015 Zhou D29/110
- 2007/0079417 A1 * 4/2007 Huh 2/8.2

* cited by examiner

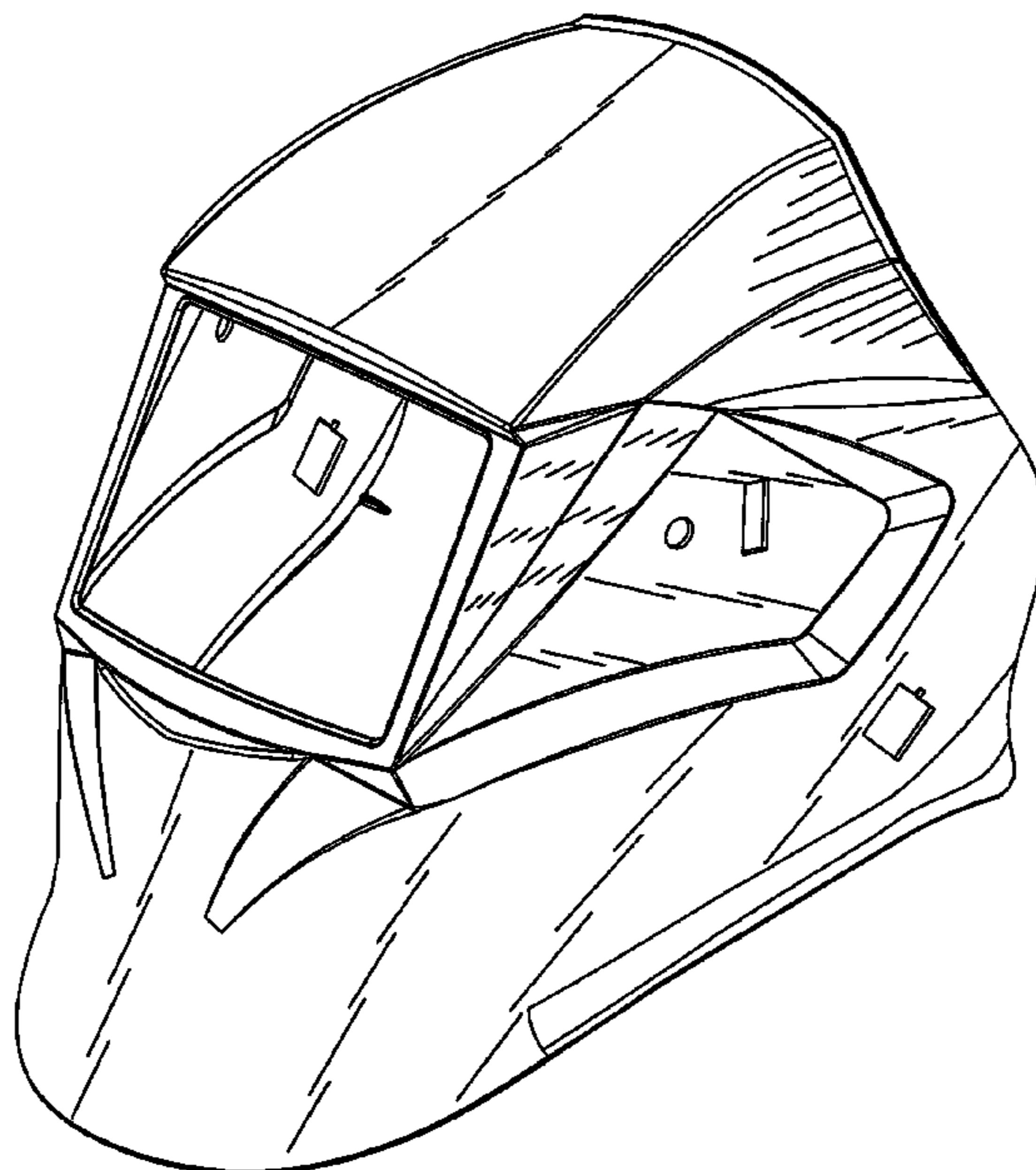
Primary Examiner — Elizabeth J Oswecki

(57) **CLAIM**
The ornamental design for a welding helmet, as shown and described.

DESCRIPTION

FIG. 1 is a front elevational view of a welding helmet showing my new design;
FIG. 2 is a rear elevational view thereof;
FIG. 3 is a left side view thereof;
FIG. 4 is a right side view thereof;
FIG. 5 is a top plan view thereof;
FIG. 6 is a bottom plan view thereof; and,
FIG. 7 is a perspective view thereof.
The broken lines shown form no part of the claimed design.

1 Claim, 7 Drawing Sheets



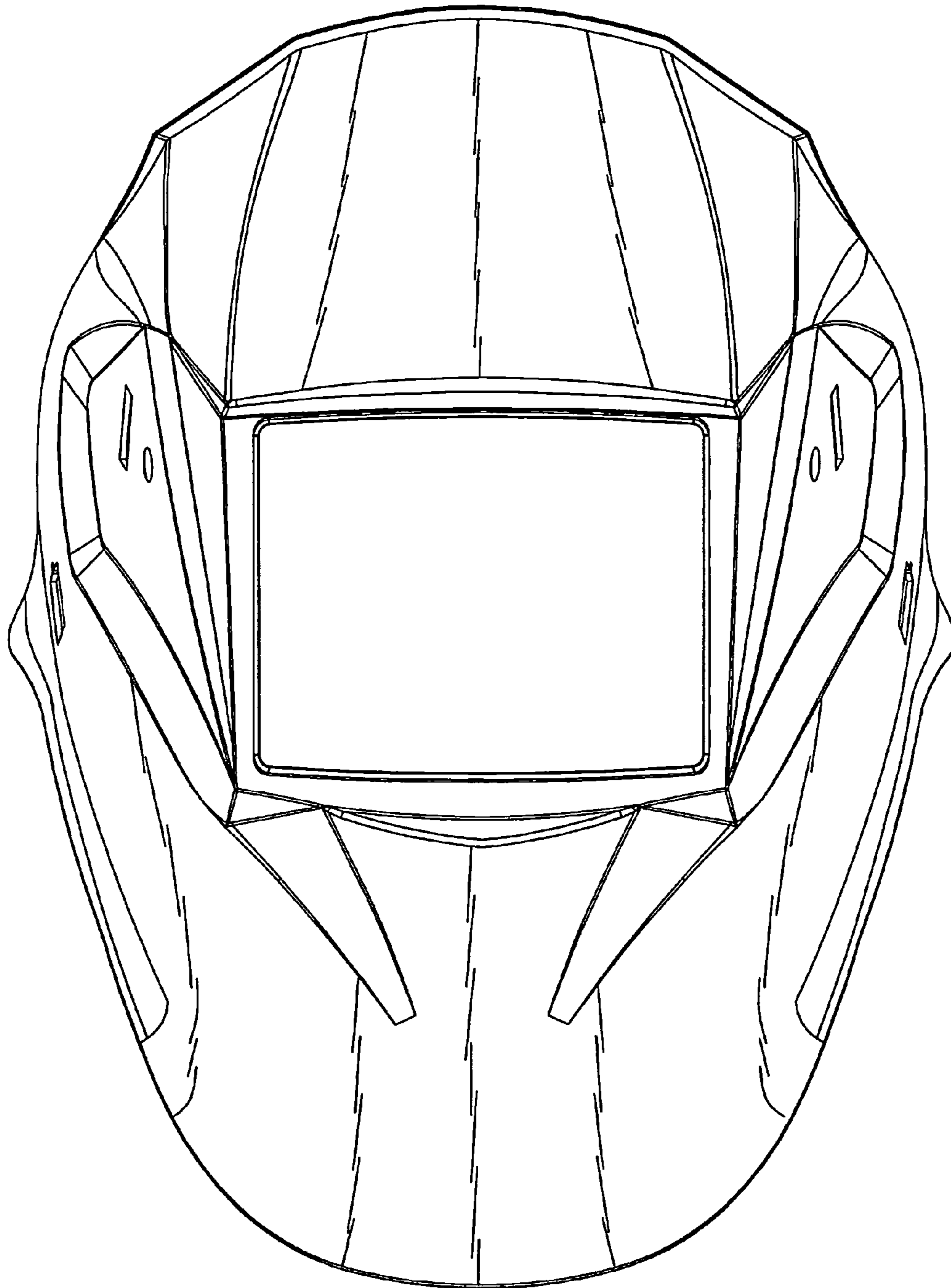


FIG. 1

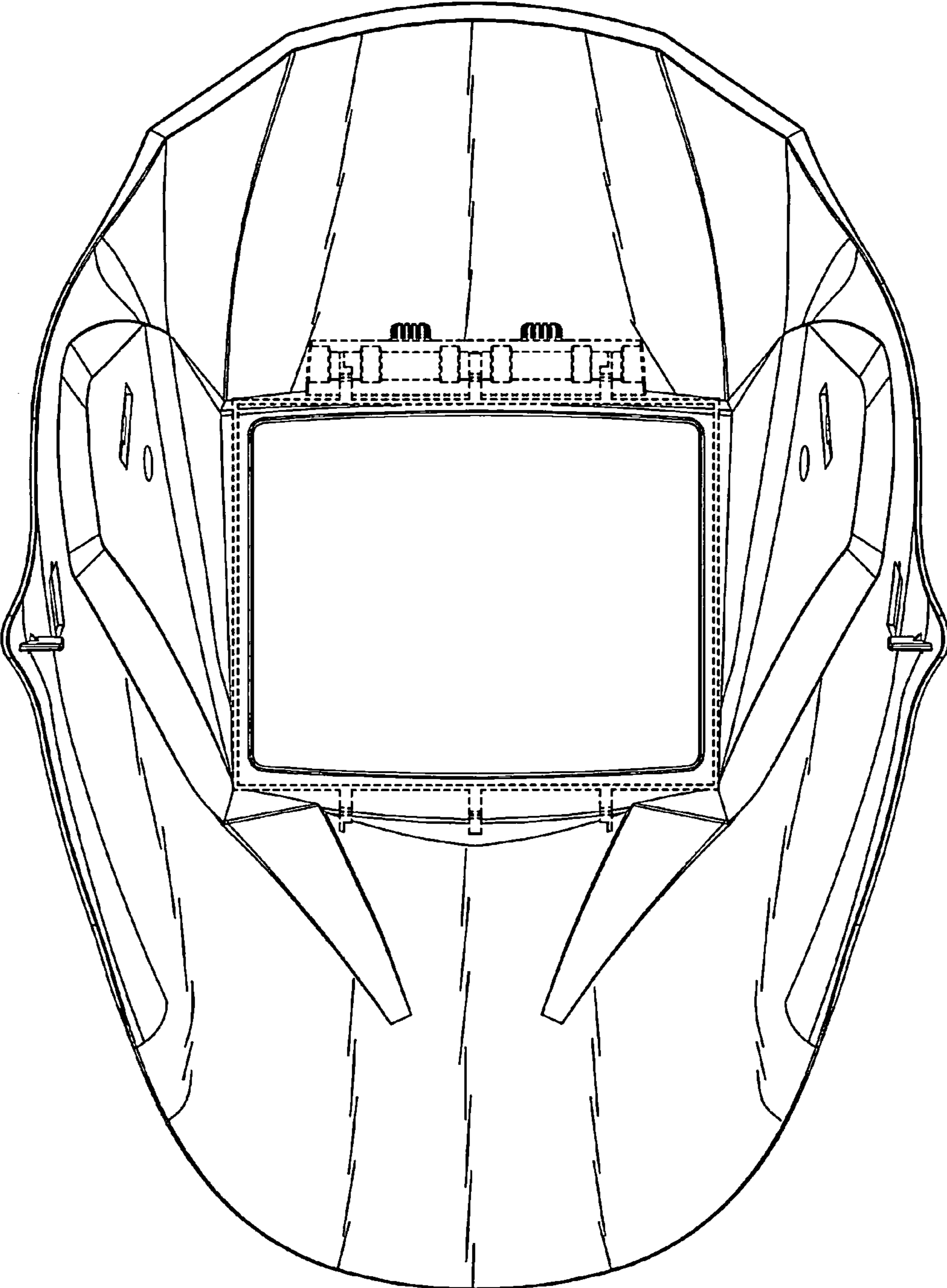


FIG. 2

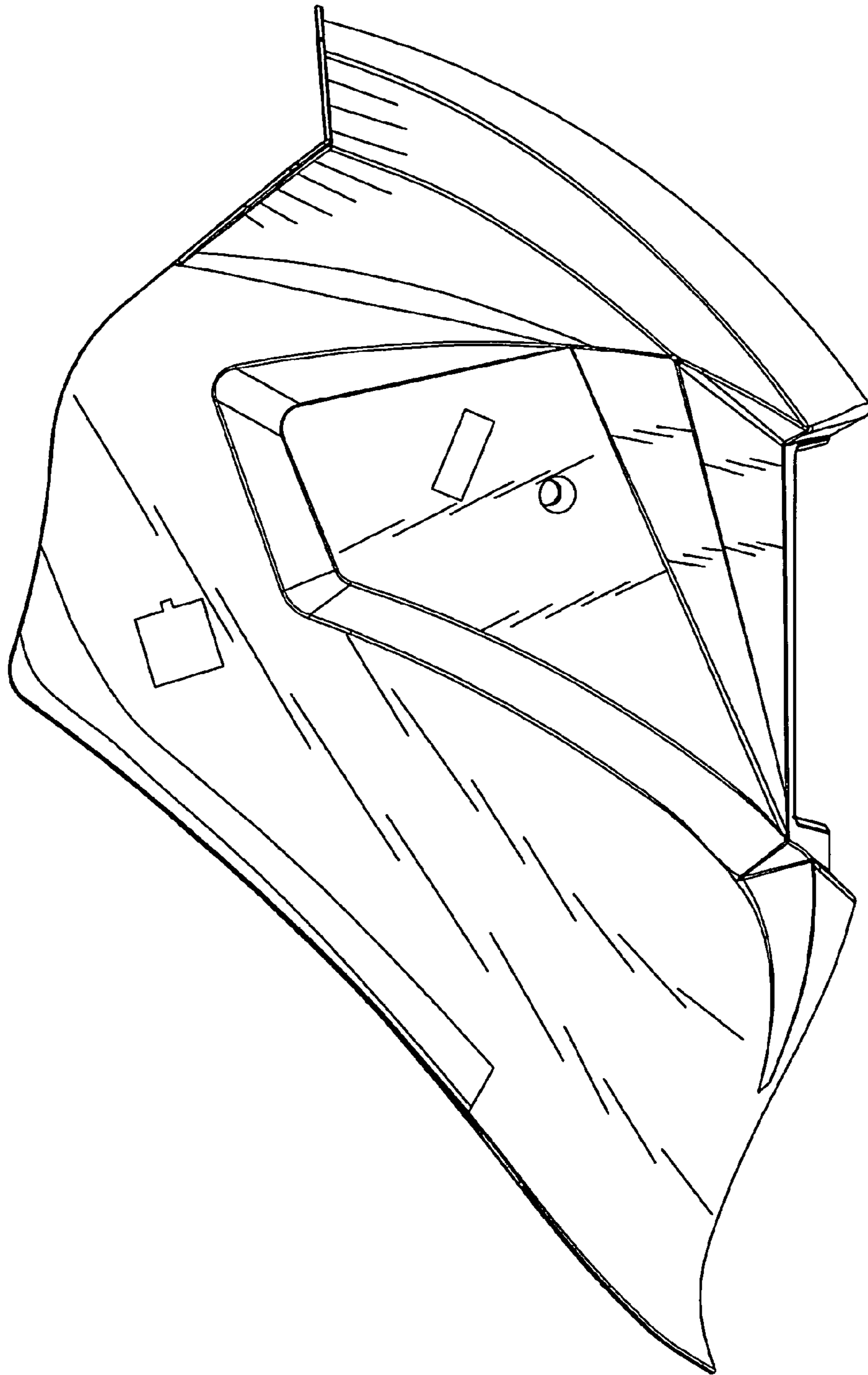


FIG. 3

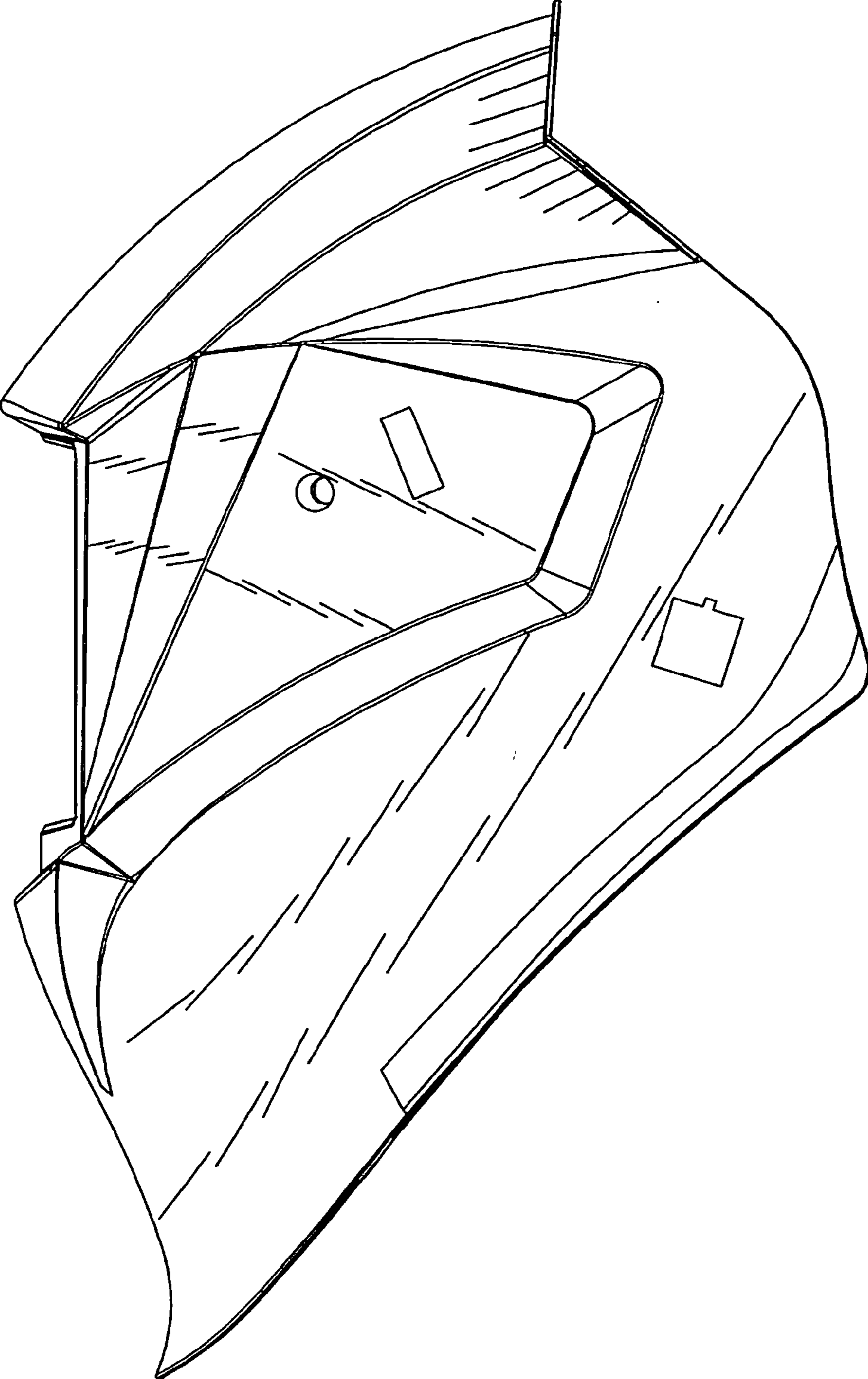


FIG. 4

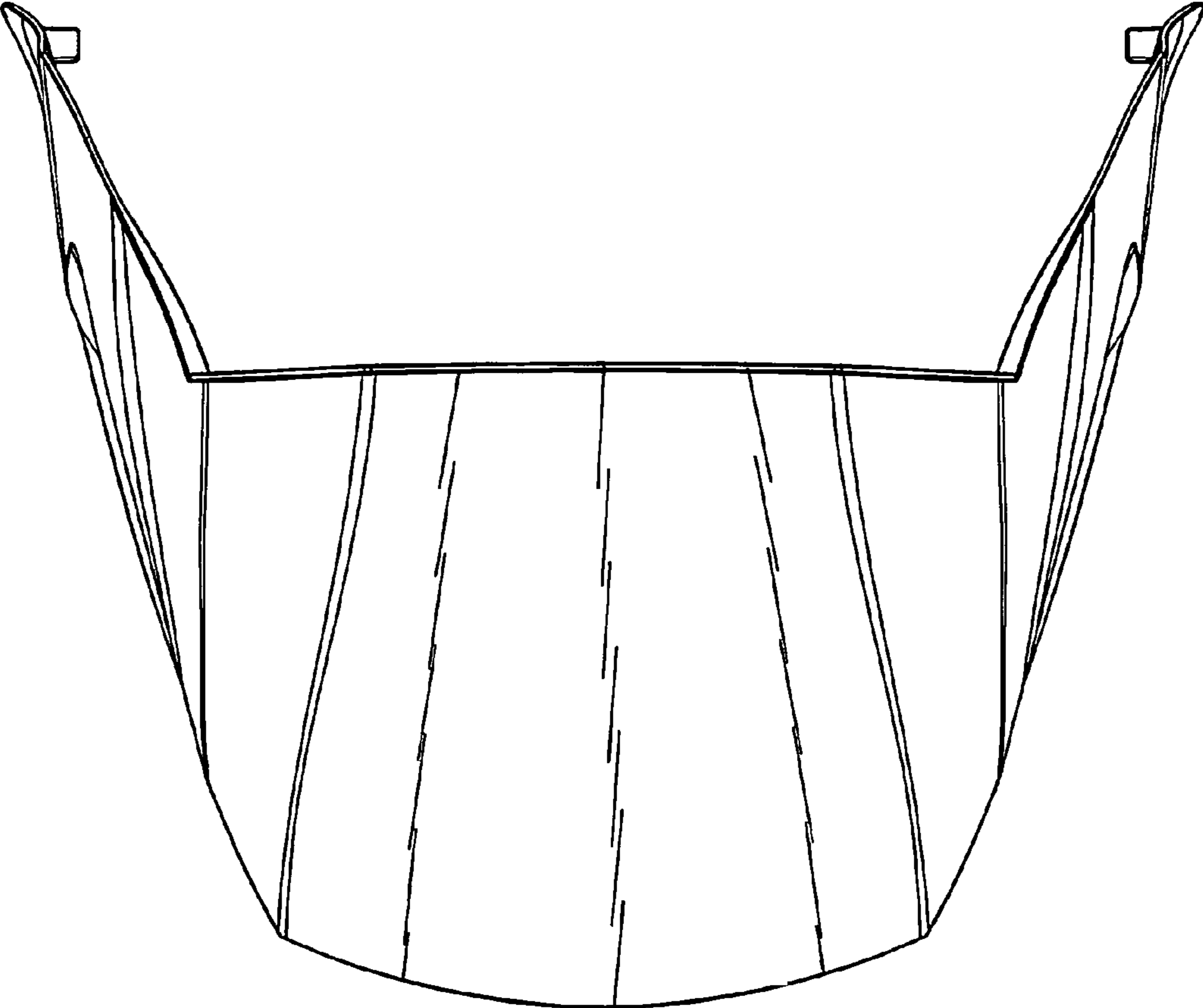


FIG. 5

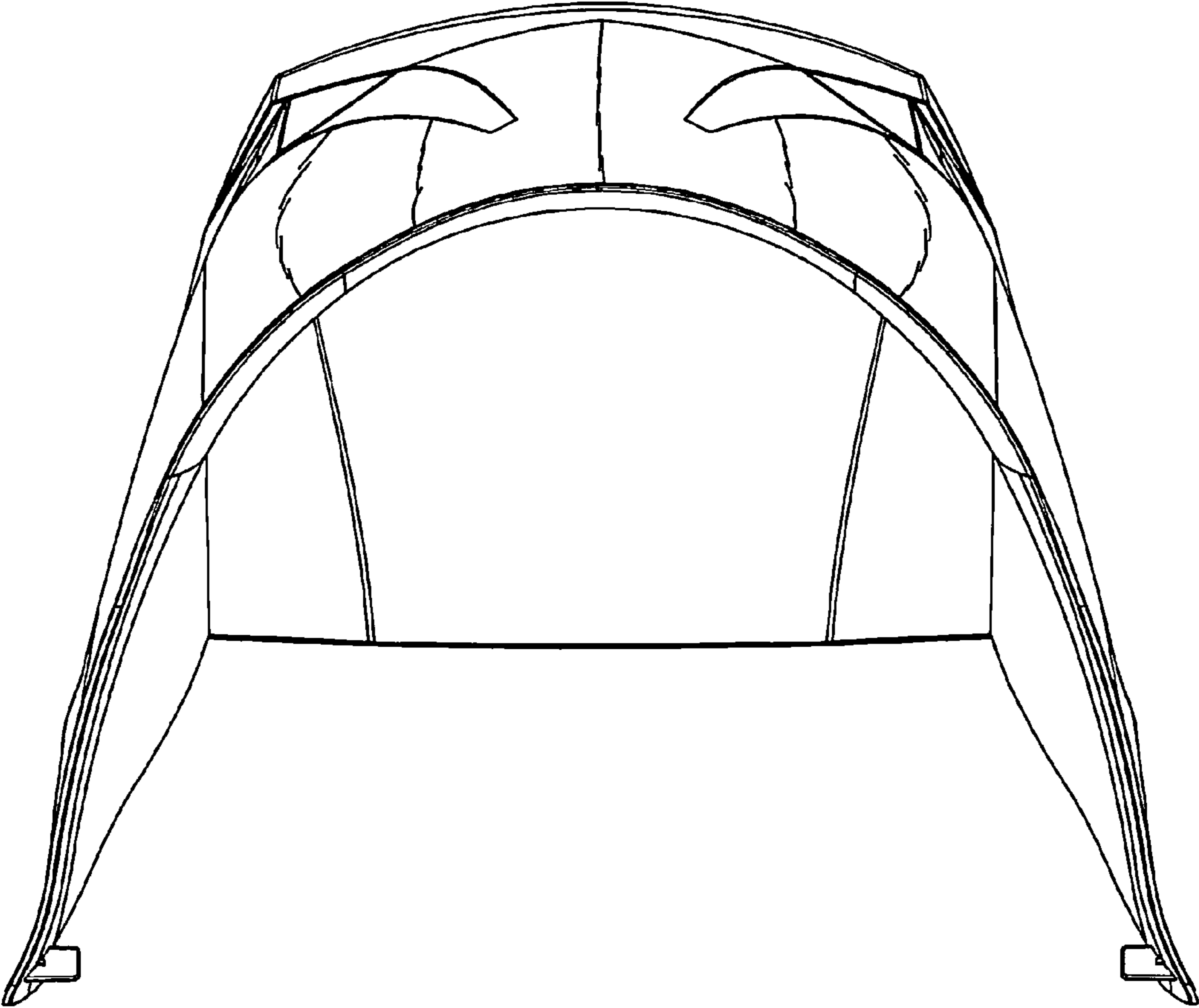


FIG. 6

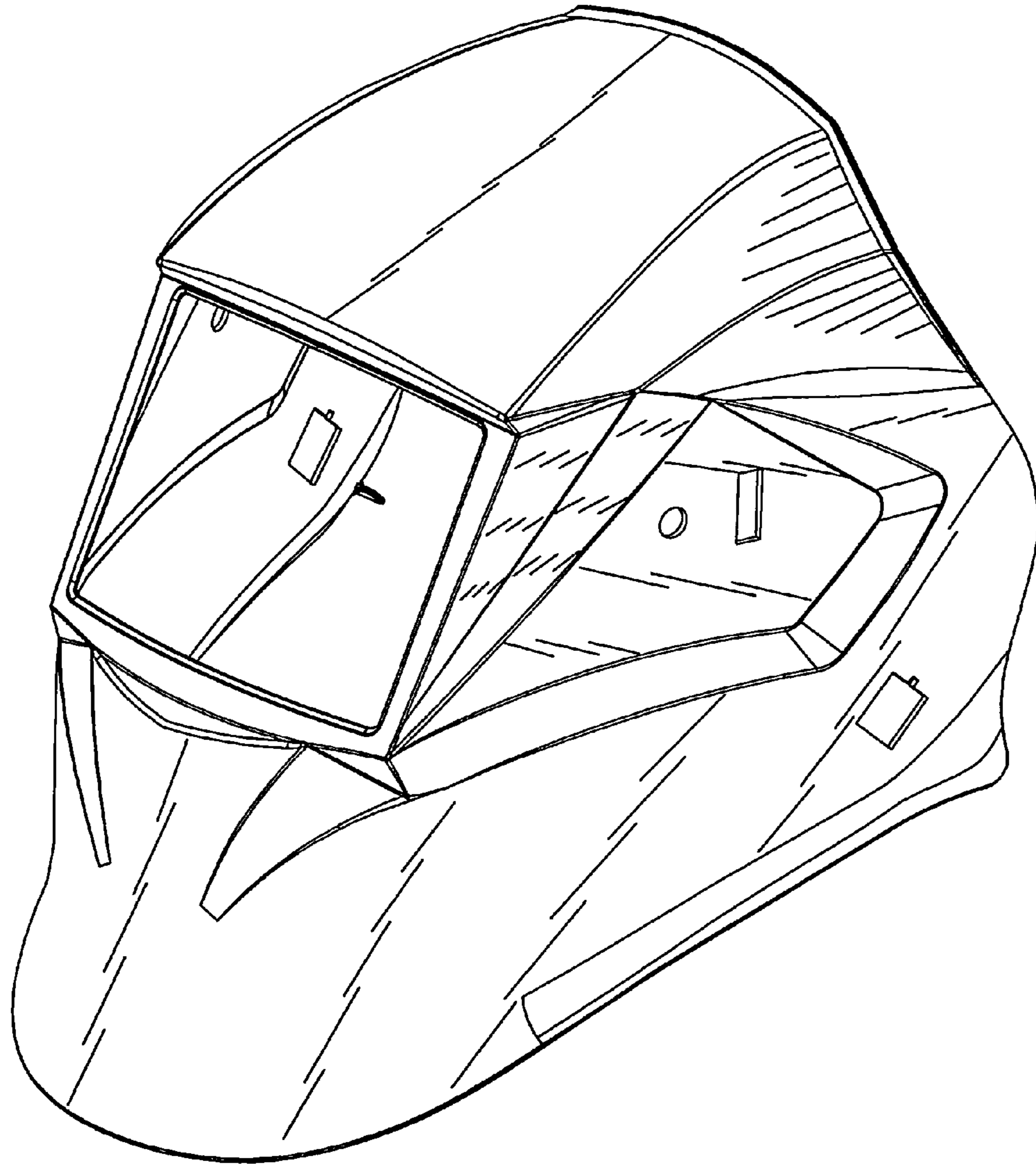


FIG. 7