



US00D742070S

(12) **United States Design Patent**
Park

(10) **Patent No.:** **US D742,070 S**

(45) **Date of Patent:** **** *Oct. 27, 2015**

(54) **COMPACT**

(71) Applicant: **AMOREPACIFIC CORPORATION,**
Seoul (KR)

(72) Inventor: **So Yeun Park,** Seoul (KR)

(73) Assignee: **Amorepacific Corporation,** Seoul (KR)

(*) Notice: This patent is subject to a terminal disclaimer.

(**) Term: **14 Years**

(21) Appl. No.: **29/479,790**

(22) Filed: **Jan. 20, 2014**

(51) **LOC (10) Cl.** **28-03**

(52) **U.S. Cl.**
USPC **D28/82**

(58) **Field of Classification Search**
USPC D28/78, 82, 83, 81, 77, 79, 84, 76, 64.1,
D28/64.3, 73; D3/275, 901, 205, 274;
D9/503-505; 132/312-318, 286-307;
206/581, 457, 823
CPC A45D 40/22; A45D 40/221-40/222;
A45D 2040/223-2040/228; A45D 40/24;
A45D 33/03; A45D 33/006; A45D 33/008;
A45D 42/02

See application file for complete search history.

(56) **References Cited**

U.S. PATENT DOCUMENTS

D342,808 S *	12/1993	Bakic	D28/82
D398,079 S *	9/1998	Denison	D28/82
D460,218 S *	7/2002	Thorpe	D28/82
D468,058 S *	12/2002	Thorpe	D28/82
7,351,215 B1 *	4/2008	Roberts	601/70
D620,256 S *	7/2010	Fujimura et al.	D3/294
D634,477 S *	3/2011	Morabito	D28/82
D697,674 S *	1/2014	You	D28/82
D697,800 S *	1/2014	Villarreal et al.	D9/500
D699,112 S *	2/2014	Jung	D9/504
D721,853 S *	1/2015	Koo	D28/82
D722,404 S *	2/2015	Son	D28/82
D724,786 S *	3/2015	Jung	D28/82
D732,740 S *	6/2015	Yoon	D28/82

* cited by examiner

Primary Examiner — Jennifer Rivard

Assistant Examiner — April Rivas

(74) *Attorney, Agent, or Firm* — Gable Gotwals

(57) **CLAIM**

I claim the ornamental design for a compact, as shown and described.

DESCRIPTION

FIG. 1 is a perspective view of new design for a compact as shown in the drawings;
FIG. 2 is a front elevation view;
FIG. 3 is a rear elevation view;
FIG. 4 is a left side view;
FIG. 5 is a right side view;
FIG. 6 is a top plan view; and,
FIG. 7 is a bottom plan view.

1 Claim, 7 Drawing Sheets

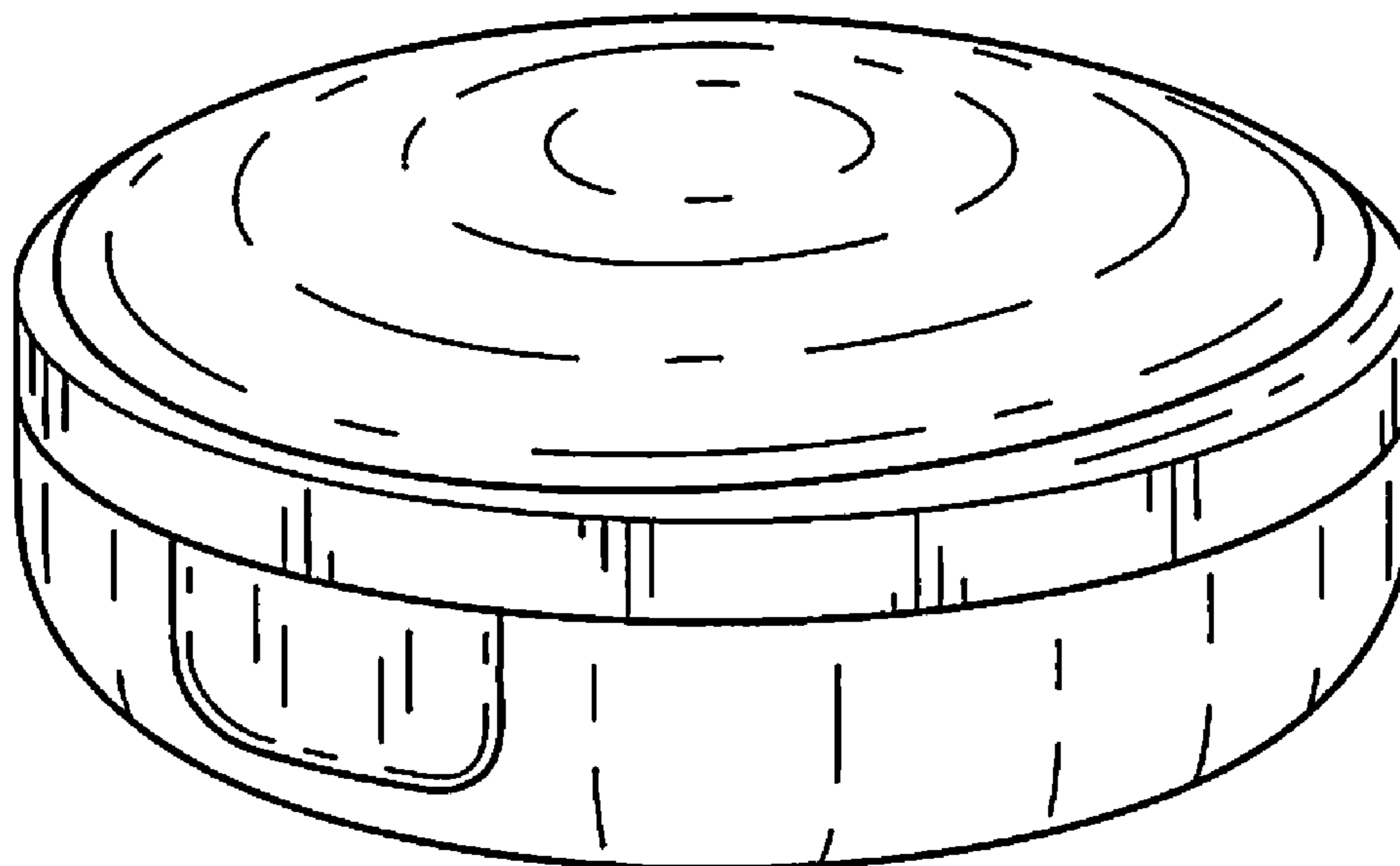


FIG. 1

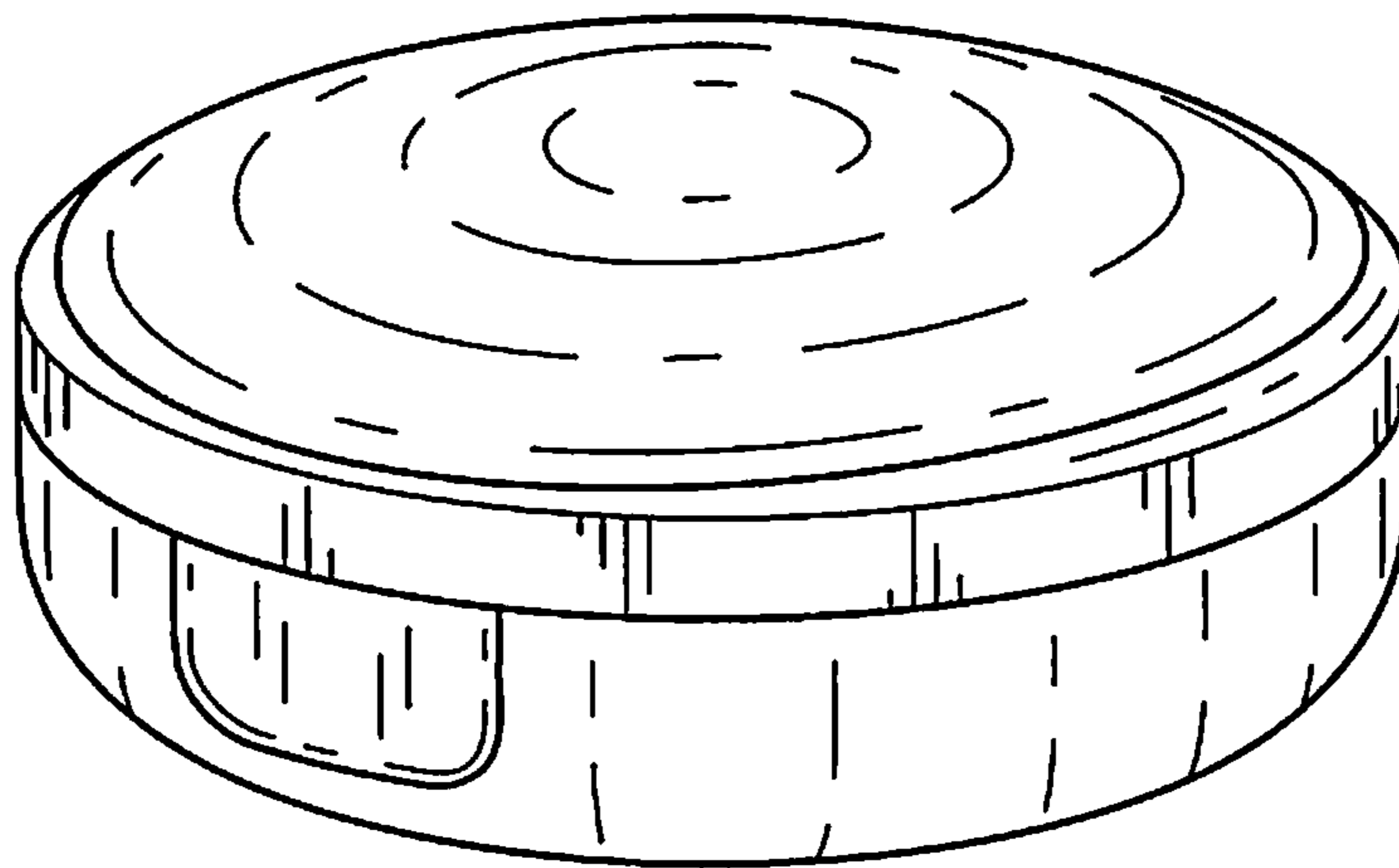


FIG. 2

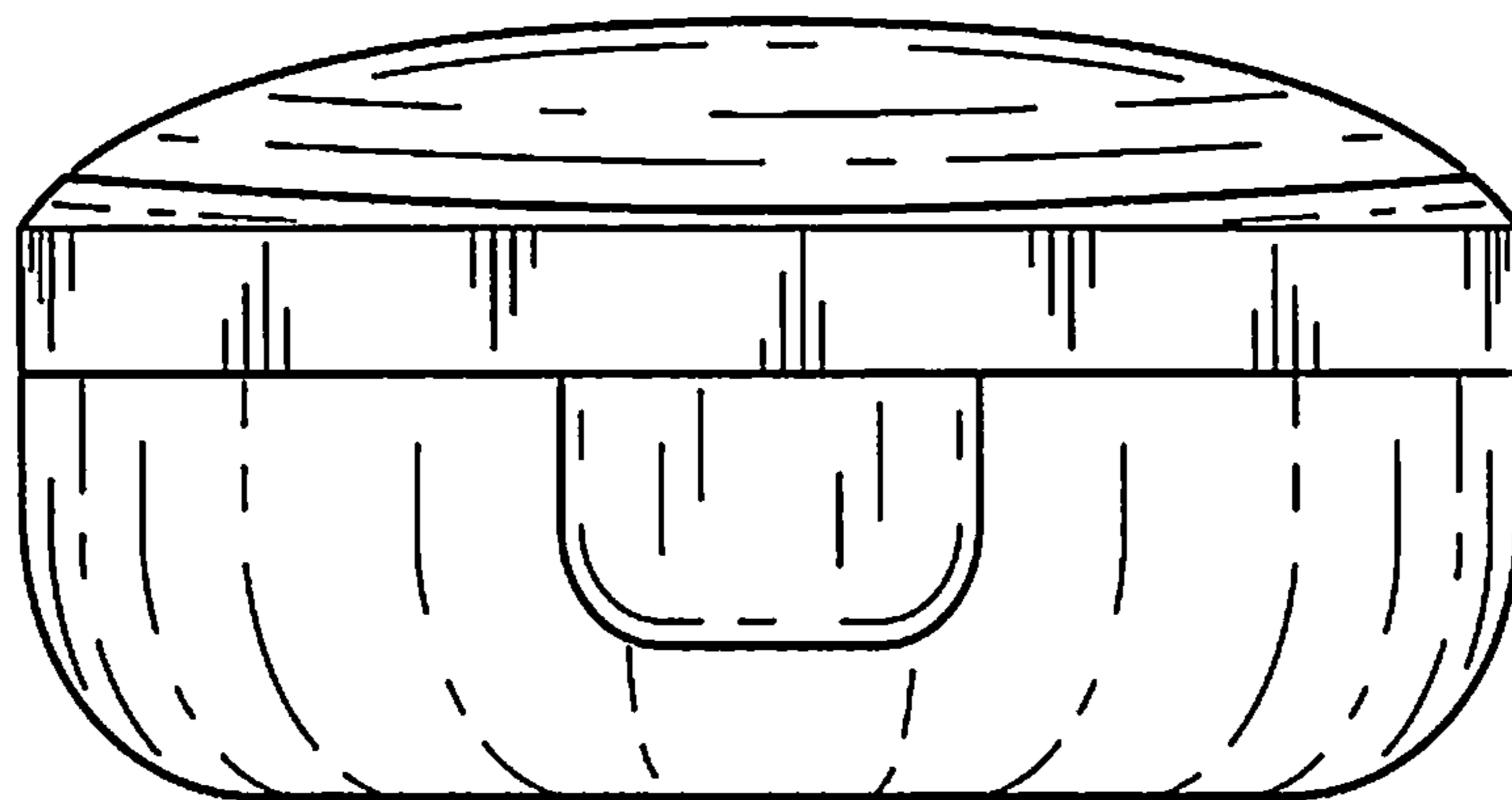


FIG. 3

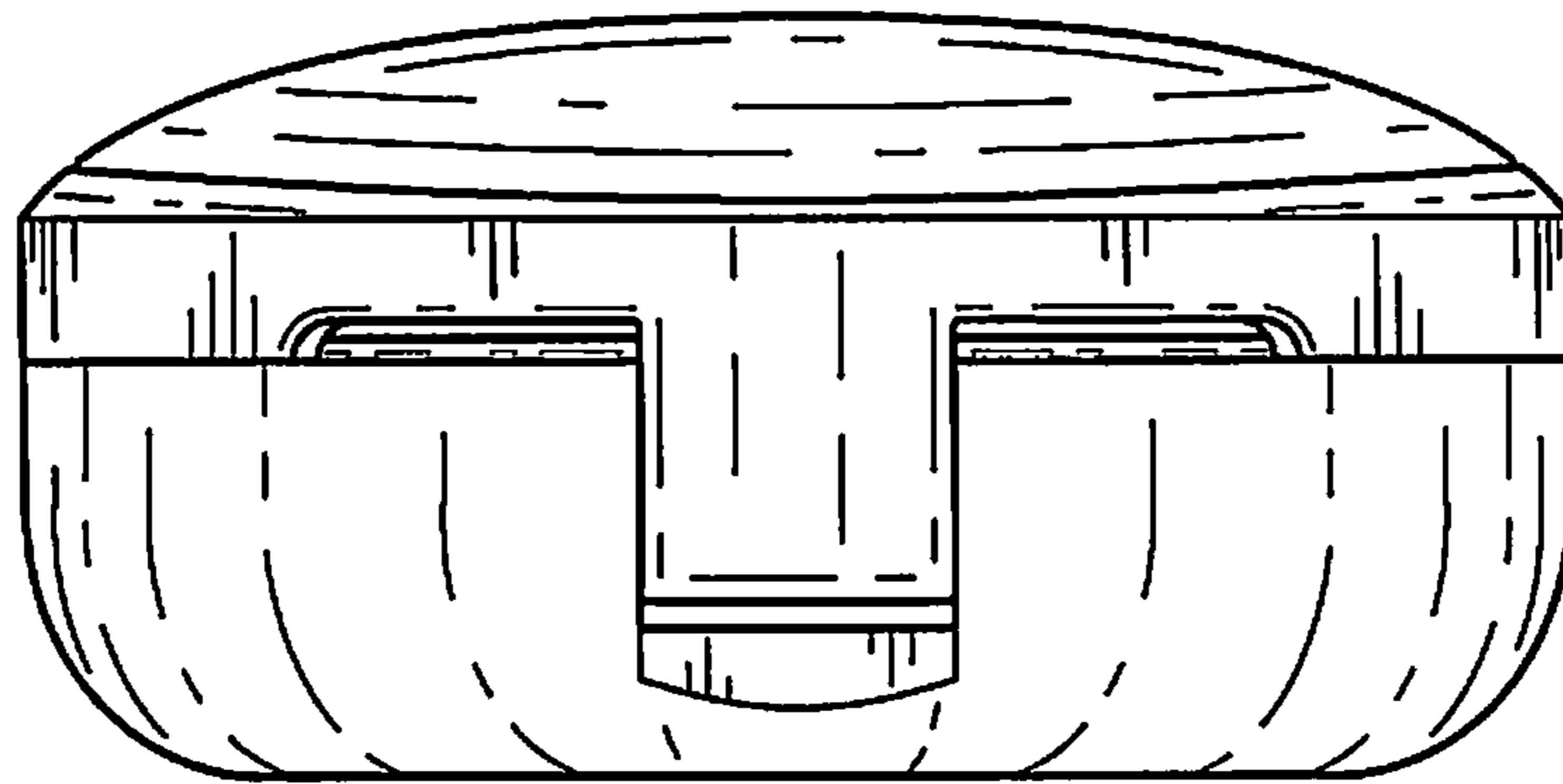


FIG. 4

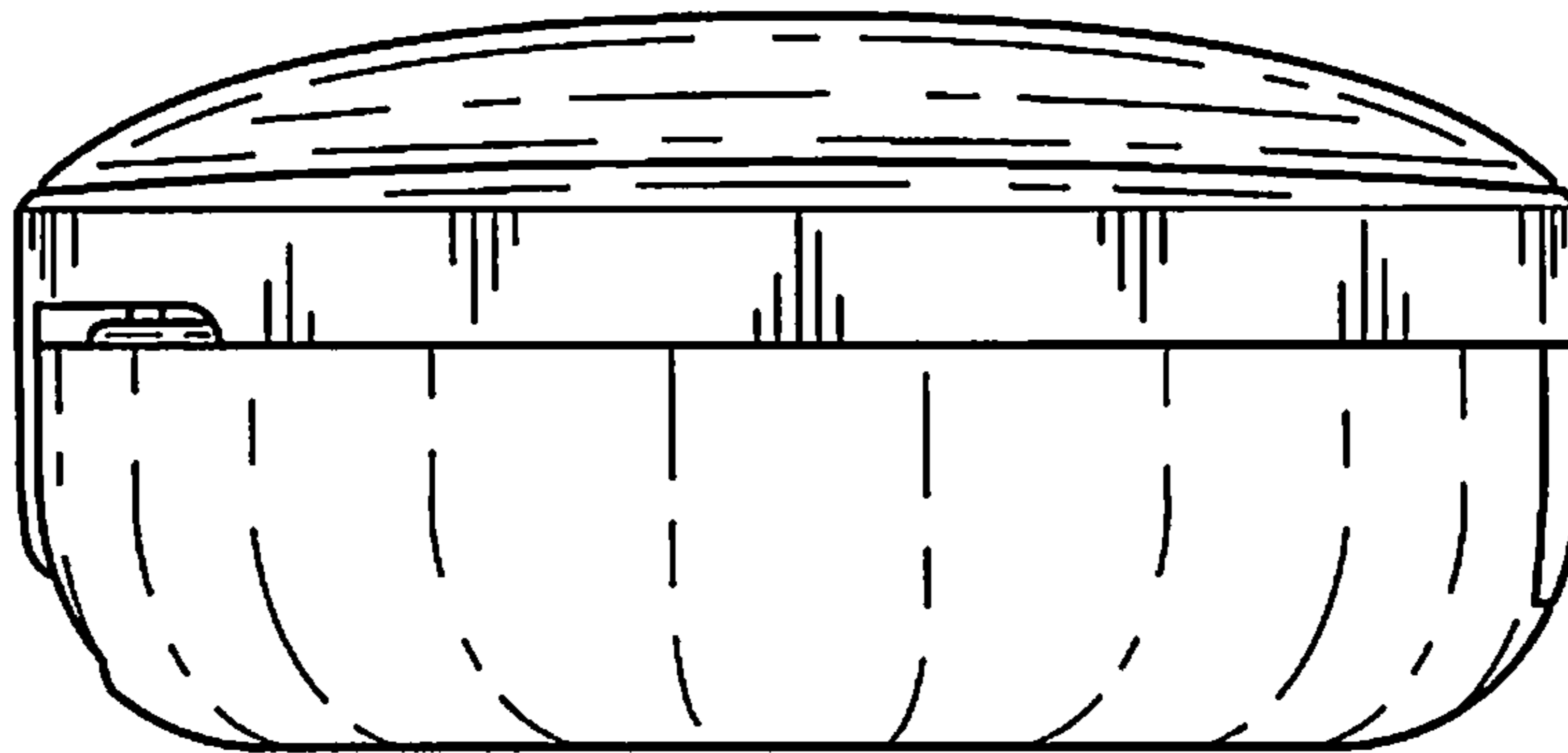


FIG 5

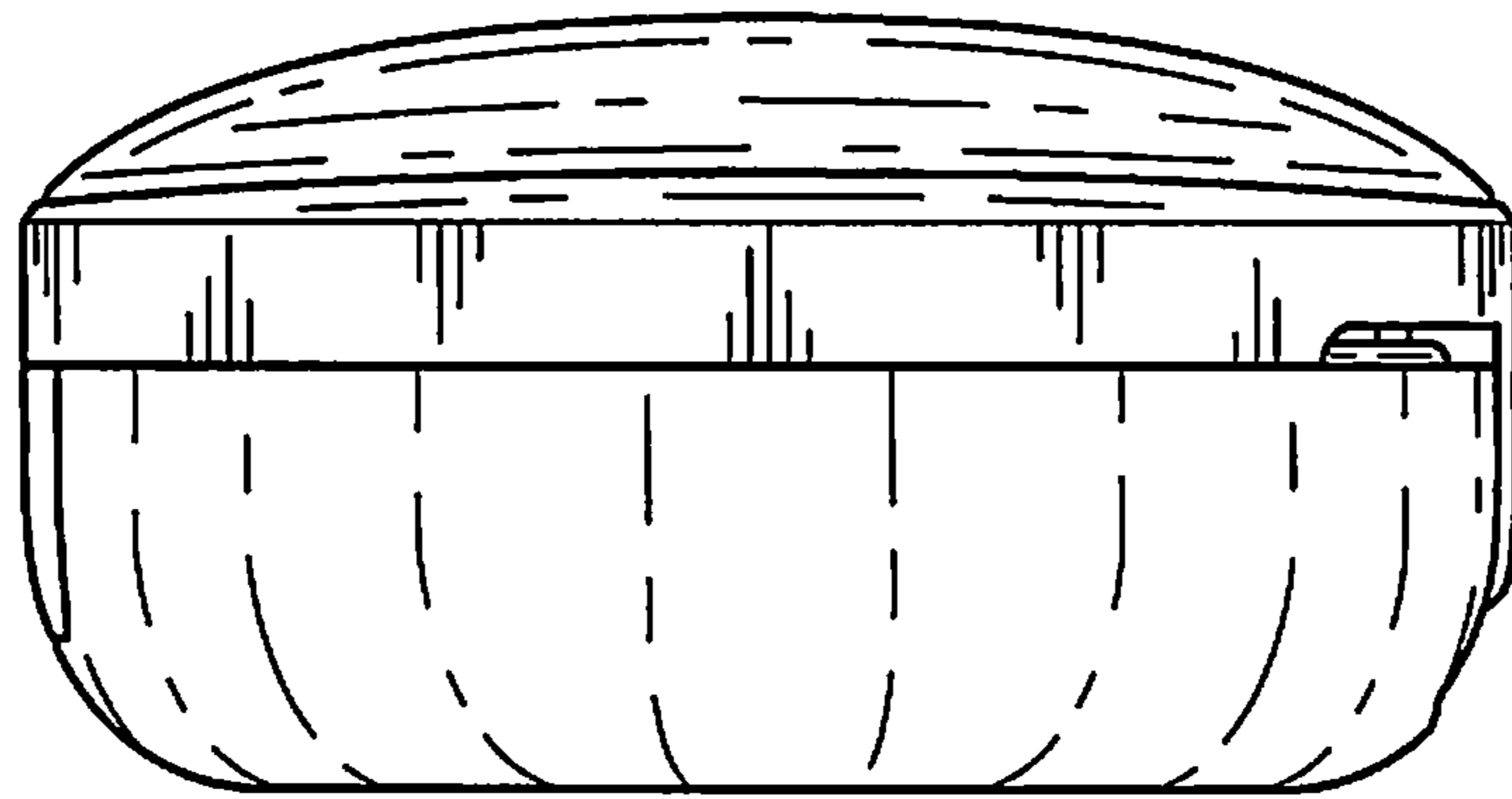


FIG. 6

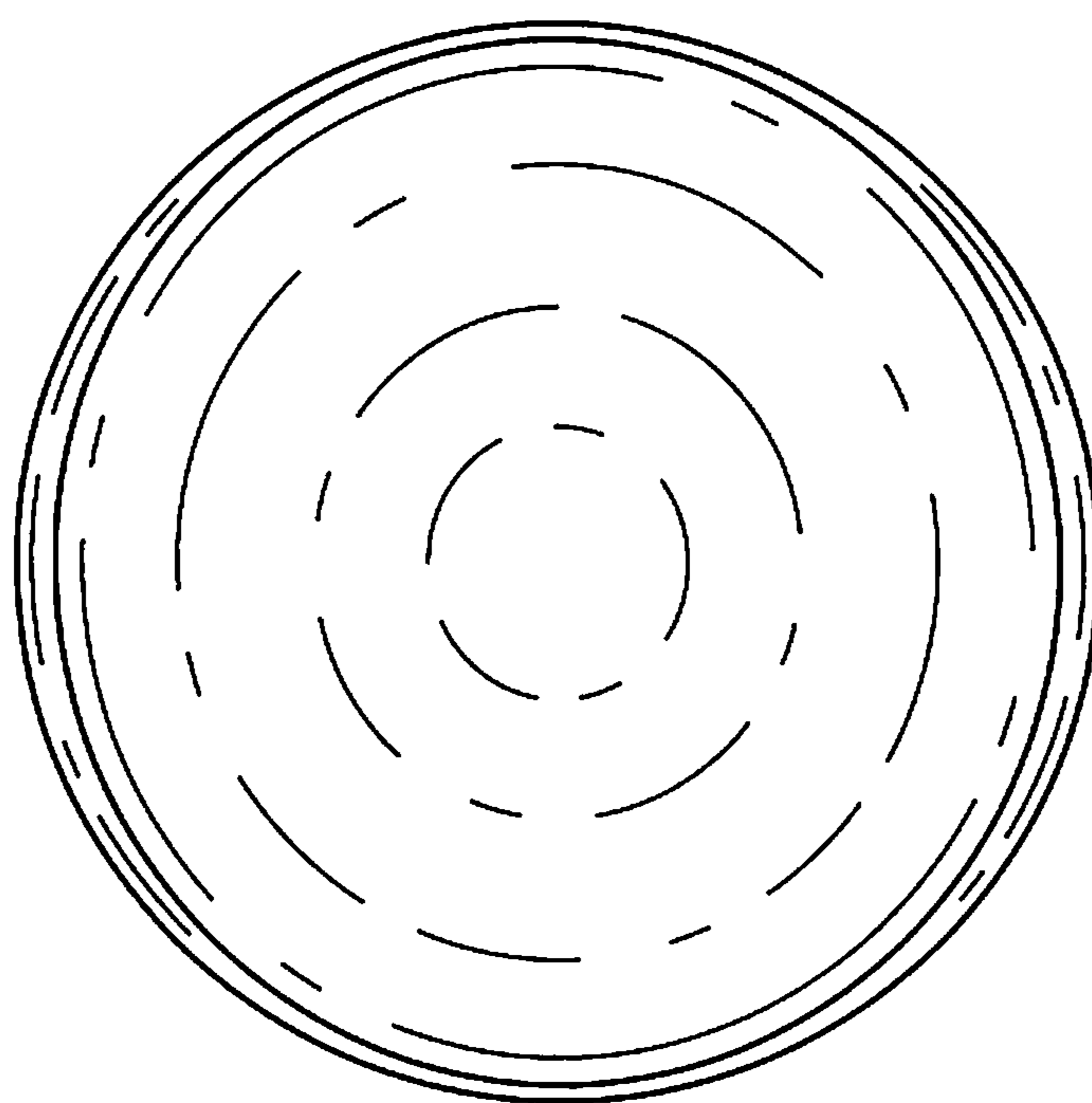


FIG. 7

