



US00D742066S

(12) **United States Design Patent**
Watabe

(10) **Patent No.:** **US D742,066 S**

(45) **Date of Patent:** **** Oct. 27, 2015**

(54) **SOAP**

(71) Applicant: **Kousuke Watabe**, Tokyo (JP)

(72) Inventor: **Kousuke Watabe**, Tokyo (JP)

(73) Assignee: **SHISEIDO CO., LTD.**, Tokyo (JP)

(**) Term: **14 Years**

(21) Appl. No.: **29/493,681**

(22) Filed: **Jun. 12, 2014**

(51) **LOC (10) Cl.** **28-02**

(52) **U.S. Cl.**
USPC **D28/8.1**

(58) **Field of Classification Search**
USPC 510/141, 147, 148; D28/8.1-8.2;
D24/101, 104
CPC C11D 17/00; C11D 17/0017; C11D
17/0026; C11D 17/0047-17/0095; C11D
13/16; C11D 13/18; C11D 13/20; C11D
17/02

See application file for complete search history.

(56) **References Cited**

U.S. PATENT DOCUMENTS

2,792,349 A * 5/1957 Le Vier C11D 17/00
510/148
3,925,225 A * 12/1975 Morrison C11D 17/00
510/146

D255,727 S * 7/1980 Grodin D28/8.1
D300,673 S * 4/1989 Rhoa D24/101
D397,507 S * 8/1998 Bern D28/8.1
D447,835 S * 9/2001 Whitaker D1/130
D506,128 S * 6/2005 Foi D9/715
D547,492 S * 7/2007 Caroen D28/8.1
D569,036 S * 5/2008 Gutfleisch D28/8.1
D601,689 S * 10/2009 Karolak D24/101
D613,907 S * 4/2010 Oates D28/8.1
D727,491 S * 4/2015 LaGratta D24/101

* cited by examiner

Primary Examiner — Jennifer Rivard

(74) *Attorney, Agent, or Firm* — Manabu Kanesaka

(57) **CLAIM**

The ornamental design for a soap, as shown and described.

DESCRIPTION

FIG. 1 is a first perspective view of a soap showing my new design;

FIG. 2 is a second perspective view thereof;

FIG. 3 is a third perspective view thereof;

FIG. 4 is a front view thereof, the rear view being a mirror image thereof;

FIG. 5 is a right side view thereof, the left side view being a mirror image thereof;

FIG. 6 is a top plan view thereof; and,

FIG. 7 is a bottom plan view thereof.

1 Claim, 5 Drawing Sheets

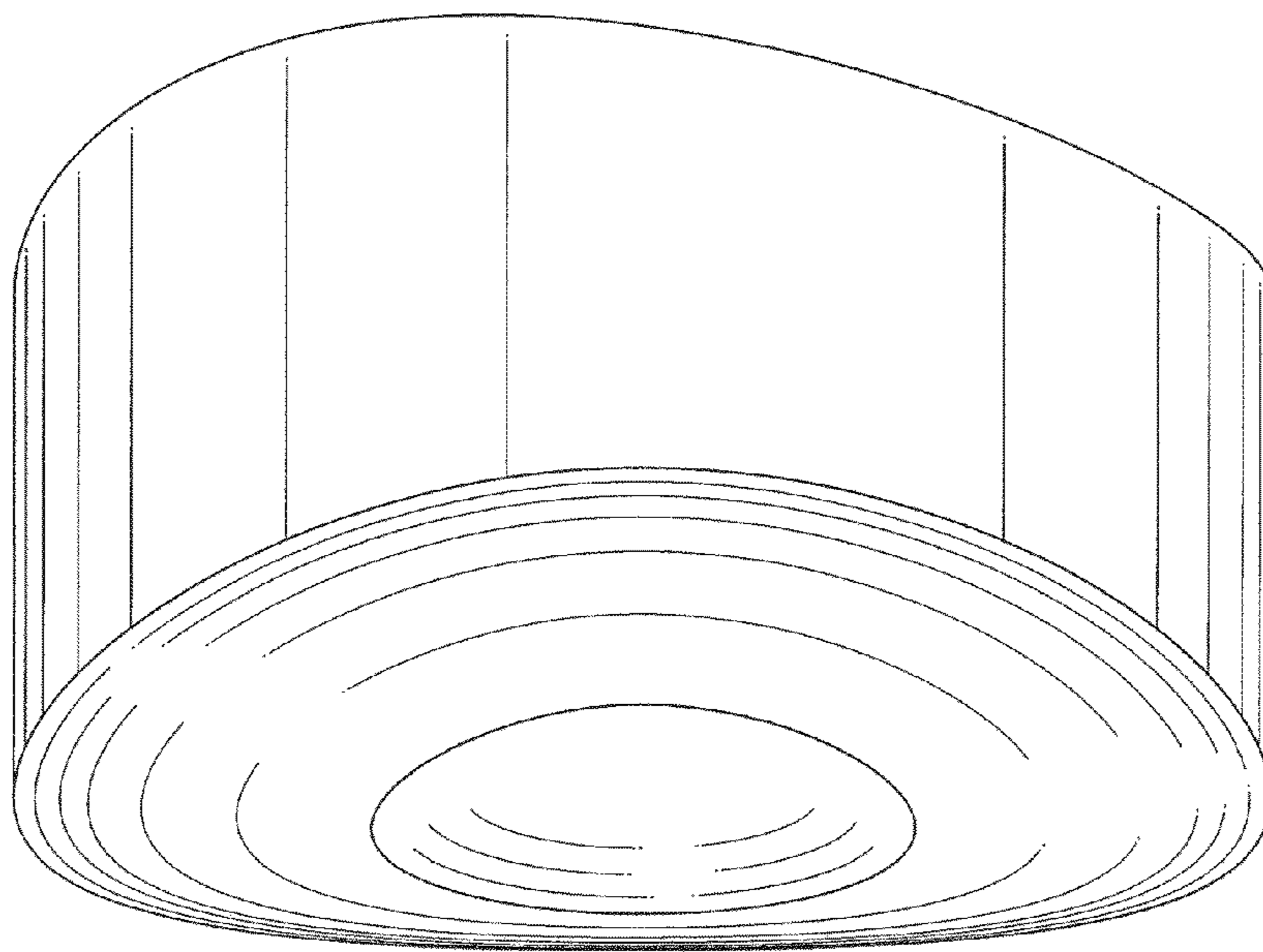


Fig. 1

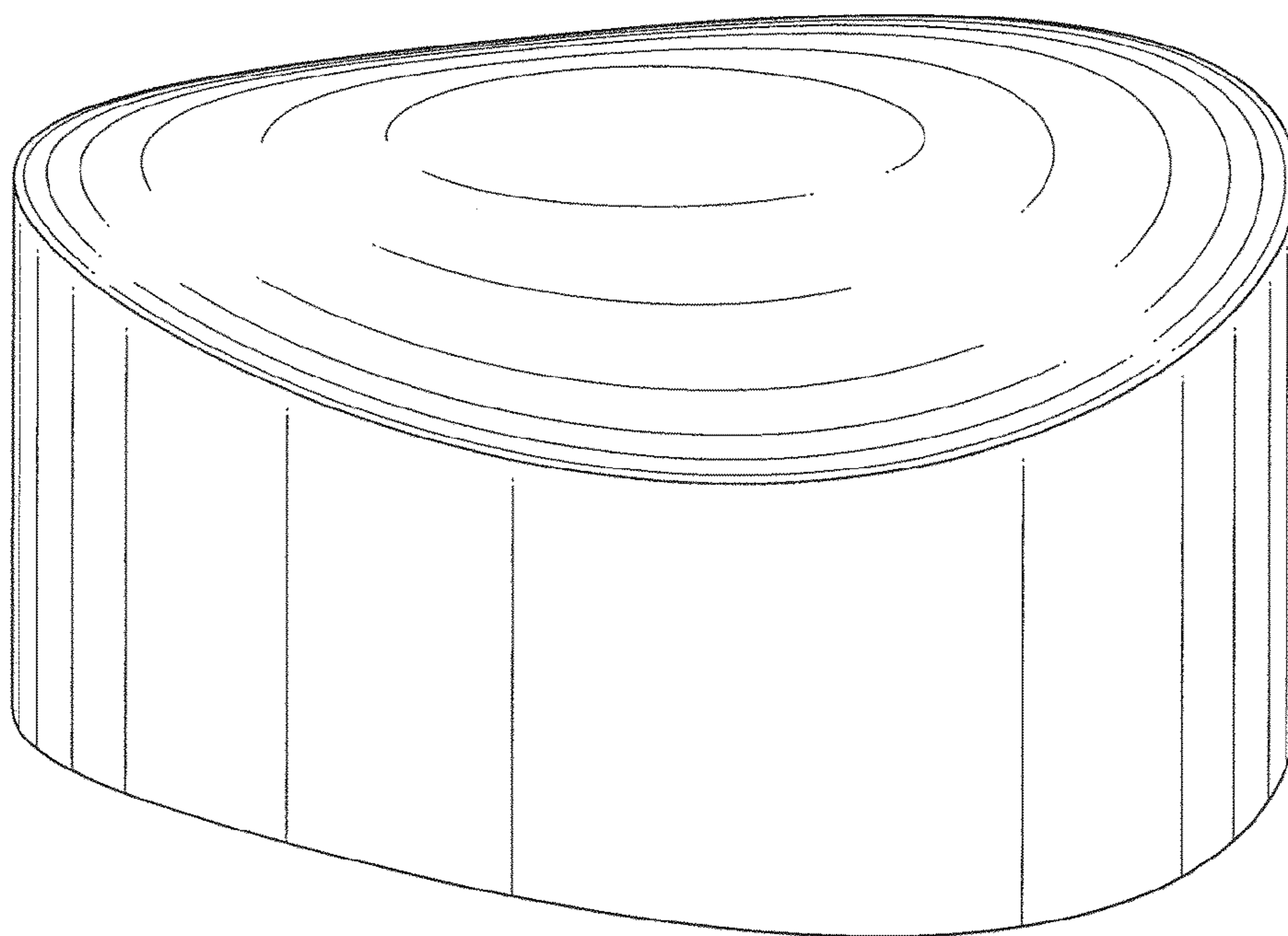


Fig. 2

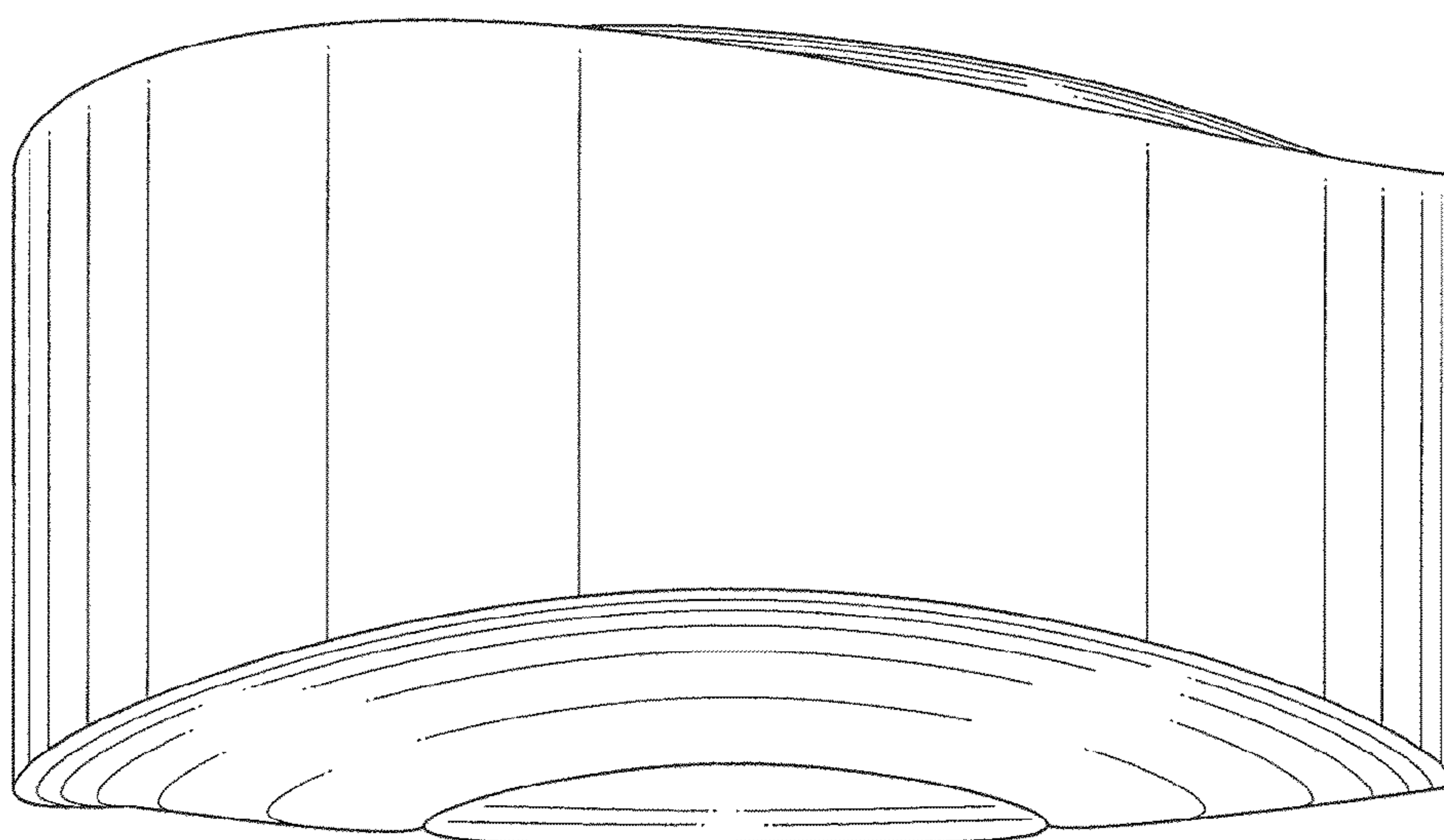


Fig. 3

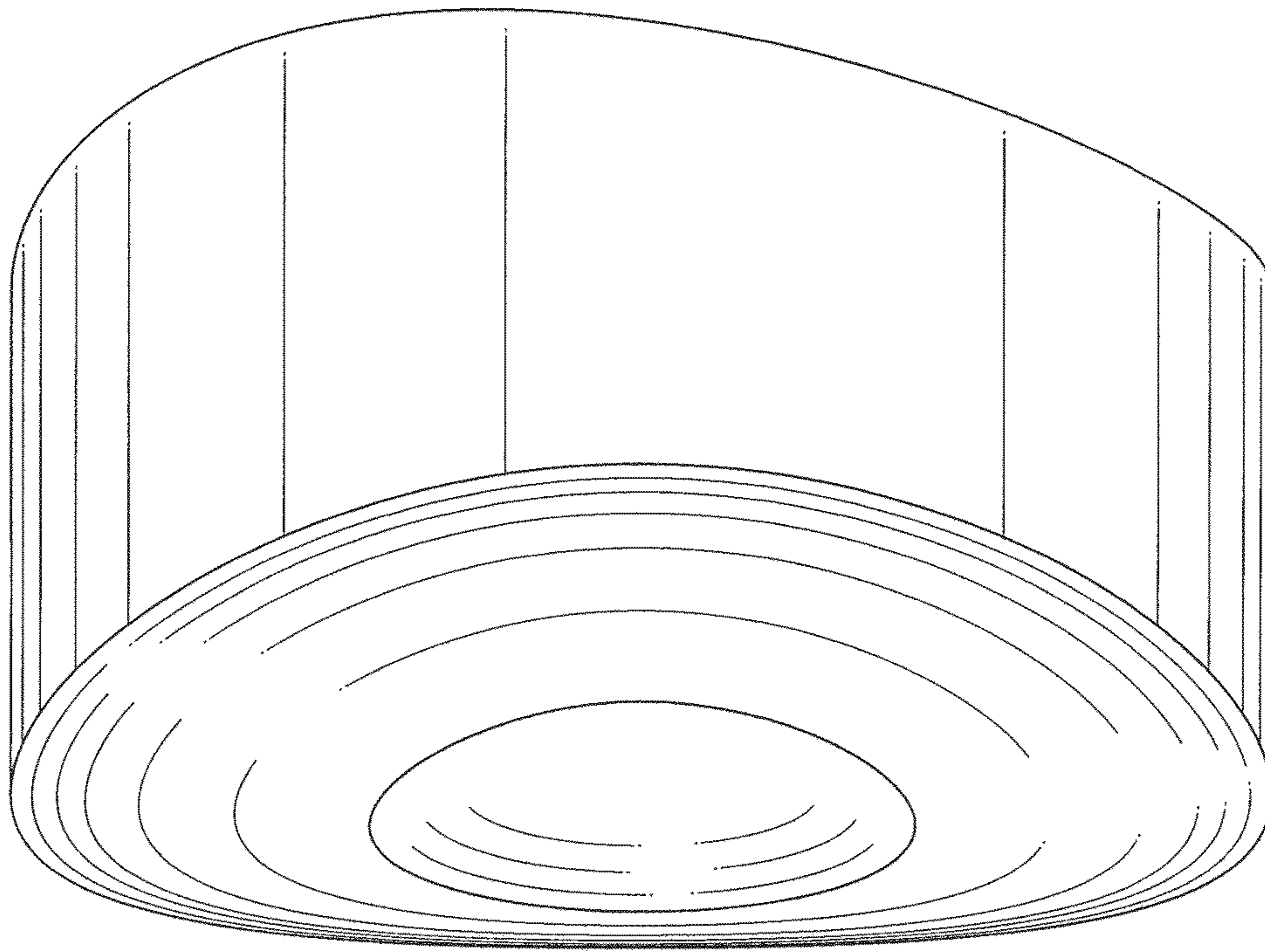


Fig. 4

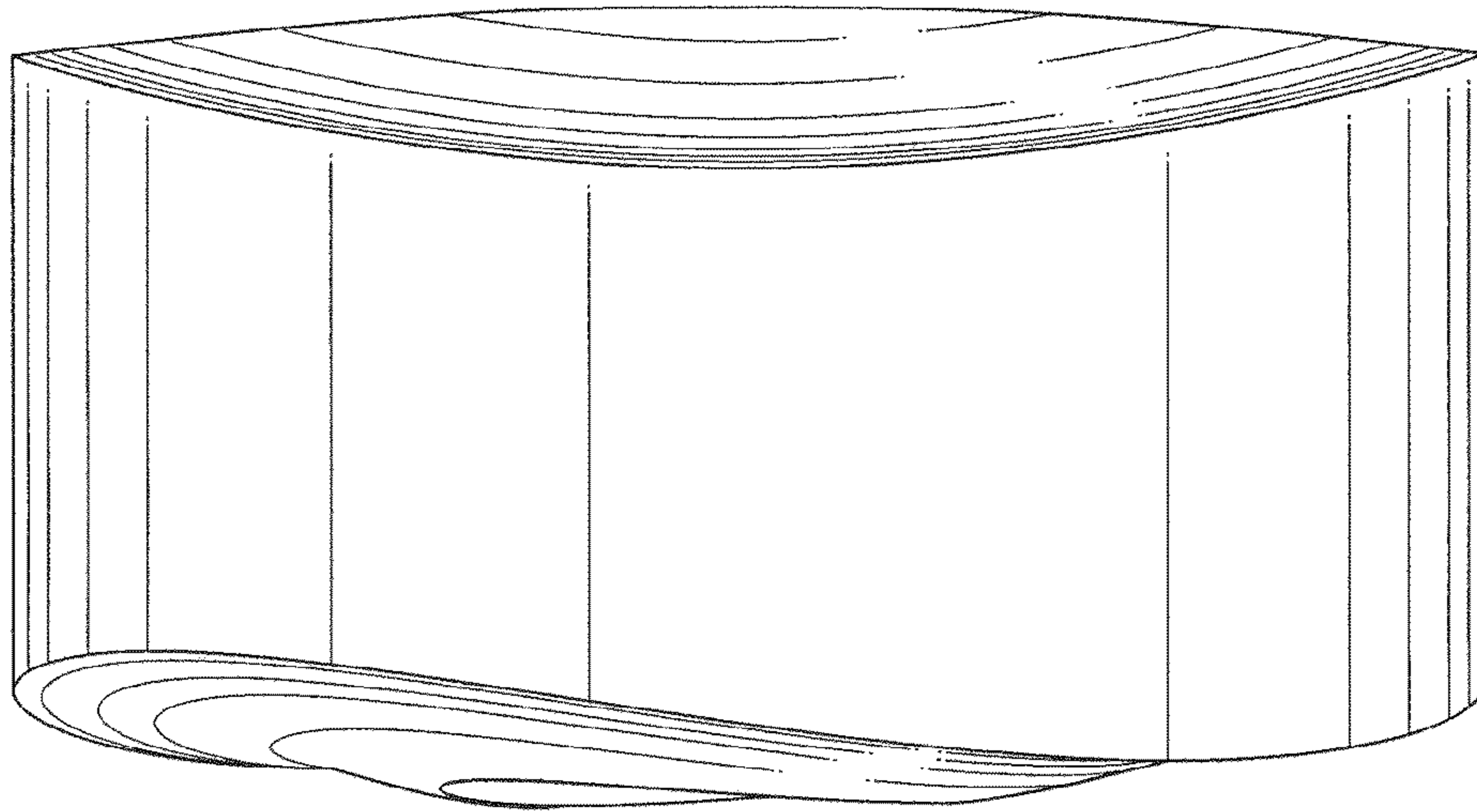


Fig. 5

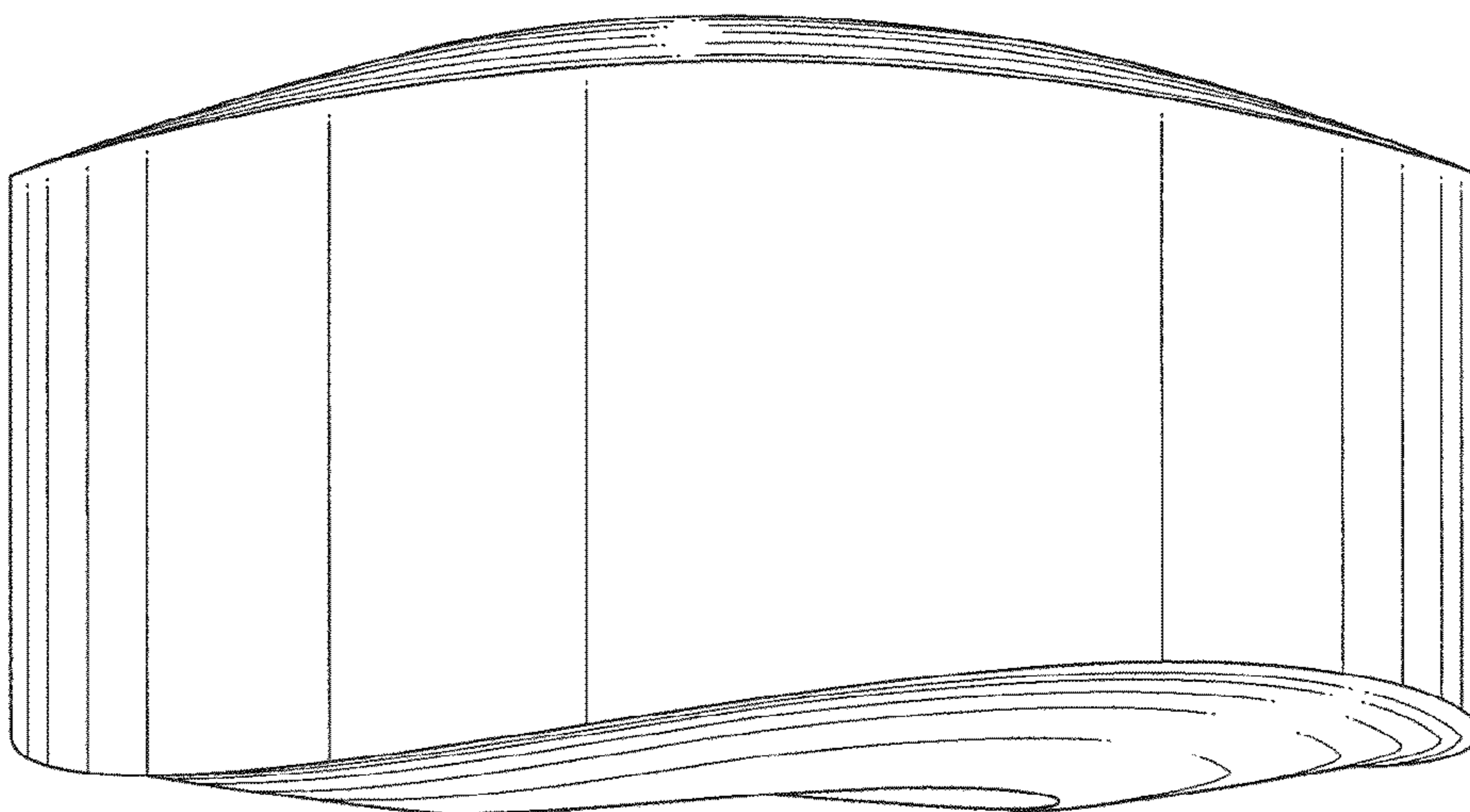


Fig. 6

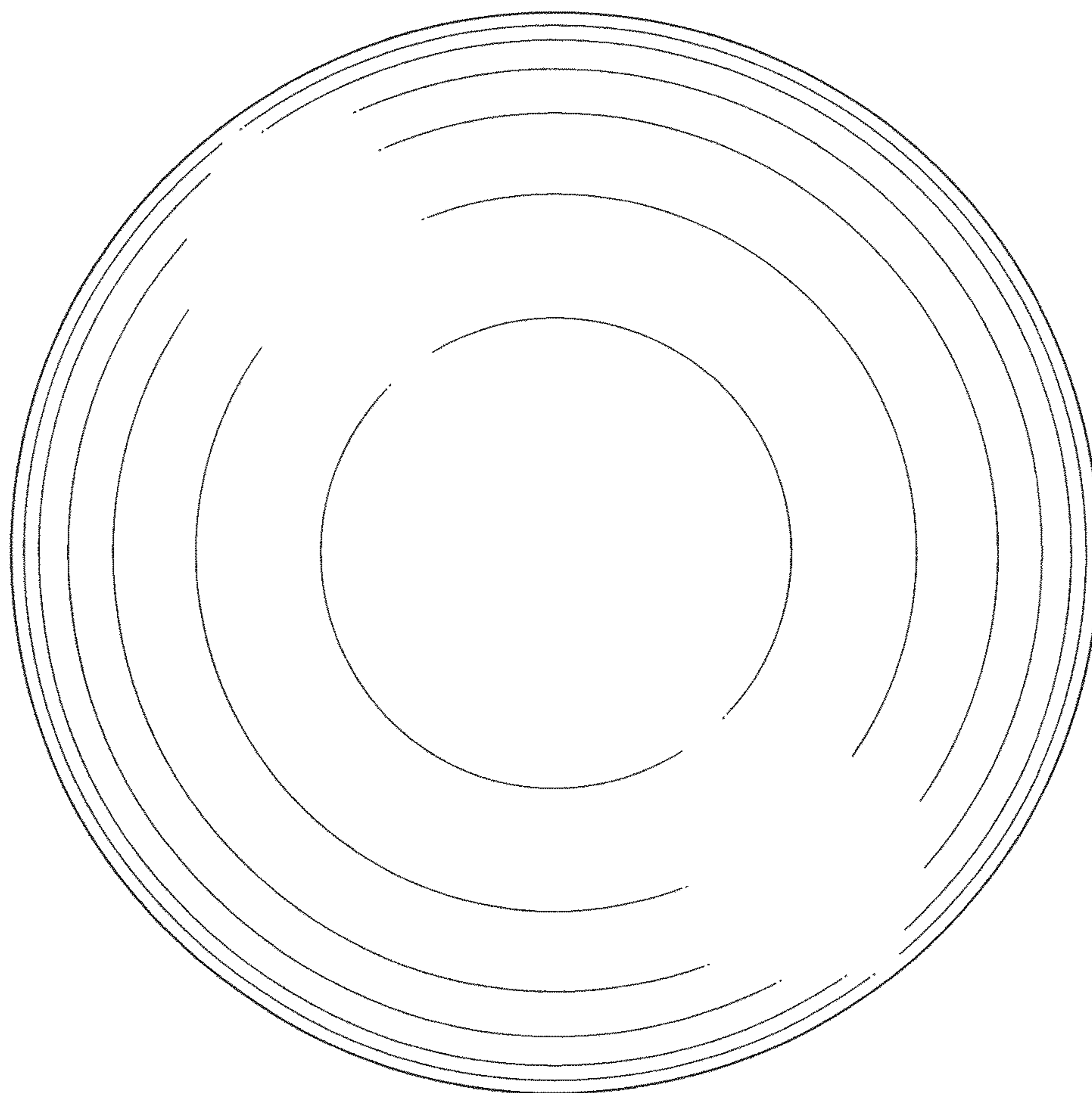


Fig. 7

