



US00D742065S

(12) **United States Design Patent**
Leidel

(10) **Patent No.:** **US D742,065 S**

(45) **Date of Patent:** **** Oct. 27, 2015**

(54) **PERSONAL VAPORIZER COMPARTMENT COVER**

(71) Applicant: **The Hand Media, Inc.**, Miami, FL (US)

(72) Inventor: **Brandon Leidel**, Miami, FL (US)

(**) Term: **15 Years**

(21) Appl. No.: **29/531,154**

(22) Filed: **Jun. 23, 2015**

(51) **LOC (10) Cl.** **27-02**

(52) **U.S. Cl.**
USPC **D27/167**

(58) **Field of Classification Search**
USPC D27/101, 163, 167, 169, 193, 194;
D16/237; D7/392.1, 396.2, 510, 511;
D9/503, 504, 529, 435, 436, 443, 454
CPC A24F 47/002; A24F 47/008; B65D 39/02;
B65D 39/16

See application file for complete search history.

(56) **References Cited**

U.S. PATENT DOCUMENTS

D190,610 S	6/1961	Johnson	
3,994,305 A *	11/1976	Hughes	A24D 1/08
			131/271
RE30,704 E *	8/1981	Hughes	A24D 1/08
			131/351
4,460,087 A *	7/1984	DeMarco	B65D 39/02
			206/415
D296,523 S *	7/1988	Corno	D9/435
D411,743 S *	6/1999	Escabar	D9/435
D494,474 S	8/2004	Houl	
D575,450 S	8/2008	Jones	
D587,572 S *	3/2009	Sanders	D9/443
D626,687 S	11/2010	Gibson	
D652,571 S *	1/2012	Shenassa	D27/163
D673,047 S *	12/2012	Stamper	D9/453
D684,813 S *	6/2013	Eyal	D7/392
D691,765 S *	10/2013	Tucker	D27/101
D691,766 S *	10/2013	Tucker	D27/101
D717,469 S *	11/2014	Nemeth	D24/224
D717,655 S *	11/2014	Rose	D7/615

8,881,927 B2 *	11/2014	West	B65D 39/025
			220/233
D721,535 S *	1/2015	Chapman	D7/396.2
D722,196 S *	2/2015	Tucker	D27/101
D724,262 S *	3/2015	Hearn	D27/101
D724,781 S *	3/2015	Hearn	D27/101
D726,364 S *	4/2015	Weigensberg	D27/101
D726,365 S *	4/2015	Weigensberg	D27/101
D726,367 S	4/2015	Dukat	
D728,852 S *	5/2015	Hearn	D27/101
D738,036 *	9/2015	Tucker et al.	D27/101
2005/0161463 A1 *	7/2005	Litchman	B65D 59/02
			220/787

(Continued)

Primary Examiner — Susan Bennett Hattan

Assistant Examiner — Janice Hallmark

(74) *Attorney, Agent, or Firm* — Christopher J. Vandam, PA;
Chris Vandam

(57) **CLAIM**

The ornamental design for a personal vaporizer compartment cover, as shown.

DESCRIPTION

FIG. 1 shows a perspective view of a personal vaporizer compartment cover.

FIG. 2 shows a top plan view of the personal vaporizer compartment cover.

FIG. 3 shows a side elevation view of the personal vaporizer compartment cover.

FIG. 4 shows a perspective view of the personal vaporizer compartment cover.

FIG. 5 shows a bottom plan view of the personal vaporizer compartment cover.

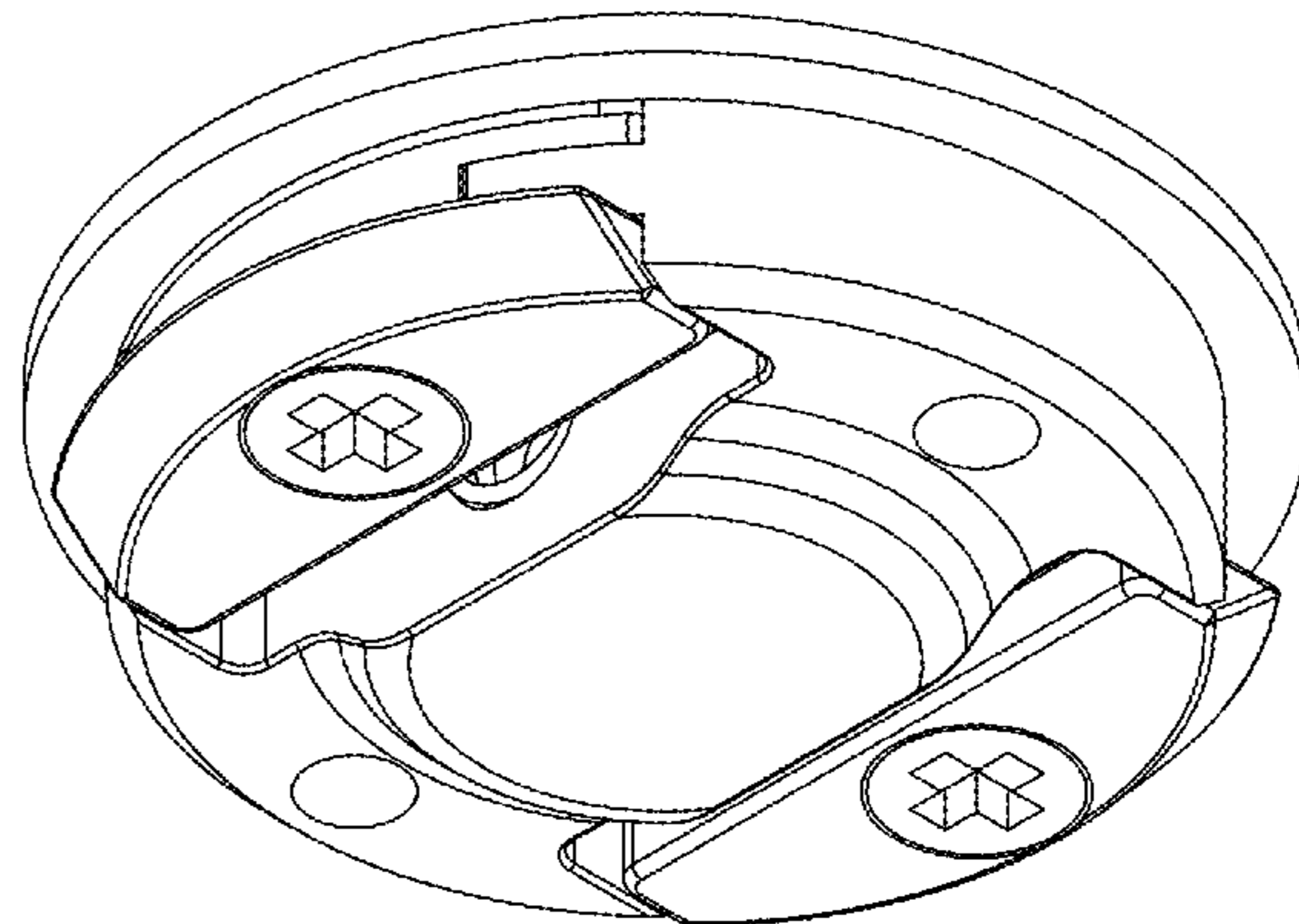
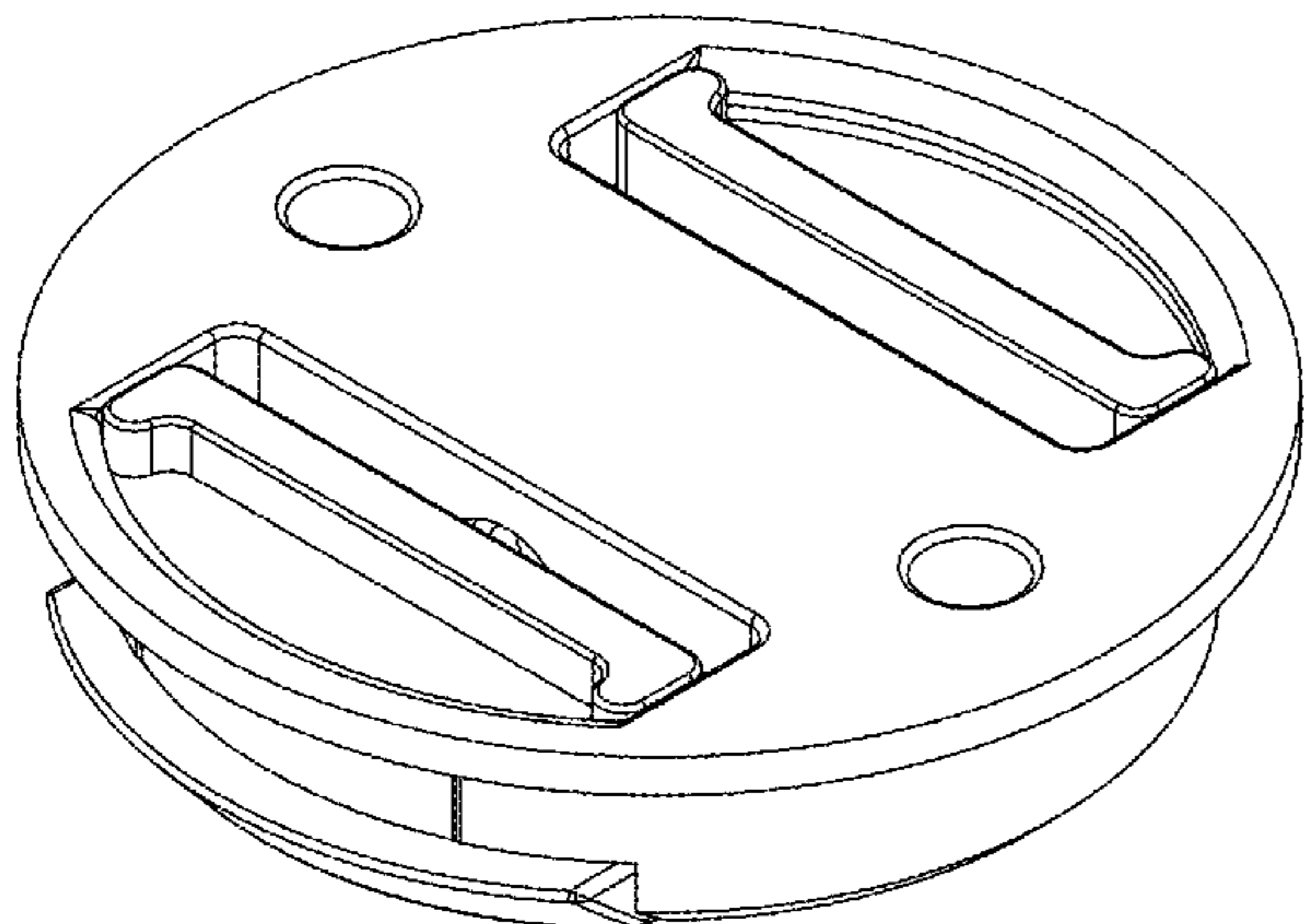
FIG. 6 shows a side elevation view of the personal vaporizer compartment cover.

FIG. 7 shows a perspective view of the personal vaporizer compartment cover; and,

FIG. 8 shows a perspective view of the personal vaporizer compartment cover.

A cover to open and close a compartment on a personal vaporizer.

1 Claim, 8 Drawing Sheets



(56)

References Cited

U.S. PATENT DOCUMENTS

2012/0138613 A1* 6/2012 West B65D 39/025
220/233
2014/0109921 A1* 4/2014 Chen A24F 47/008
131/273
2014/0290675 A1* 10/2014 Xiang A24F 47/008

2015/0128973 A1* 5/2015 Li A24F 47/008
131/329
2015/0150306 A1* 6/2015 Chen H05B 3/40
131/329
2015/0173421 A1* 6/2015 Hsieh A24F 47/008
131/329

* cited by examiner

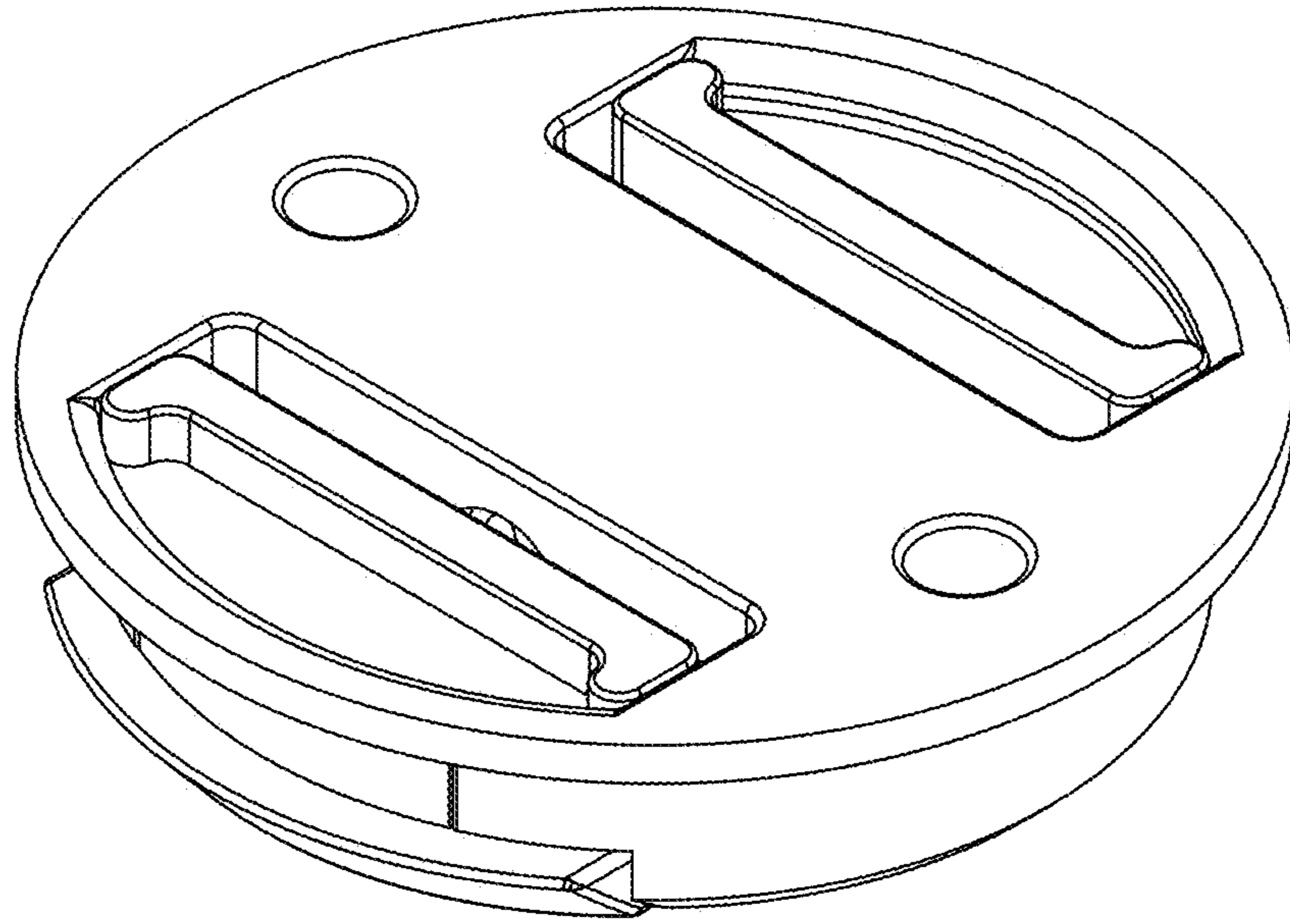


Fig. 1

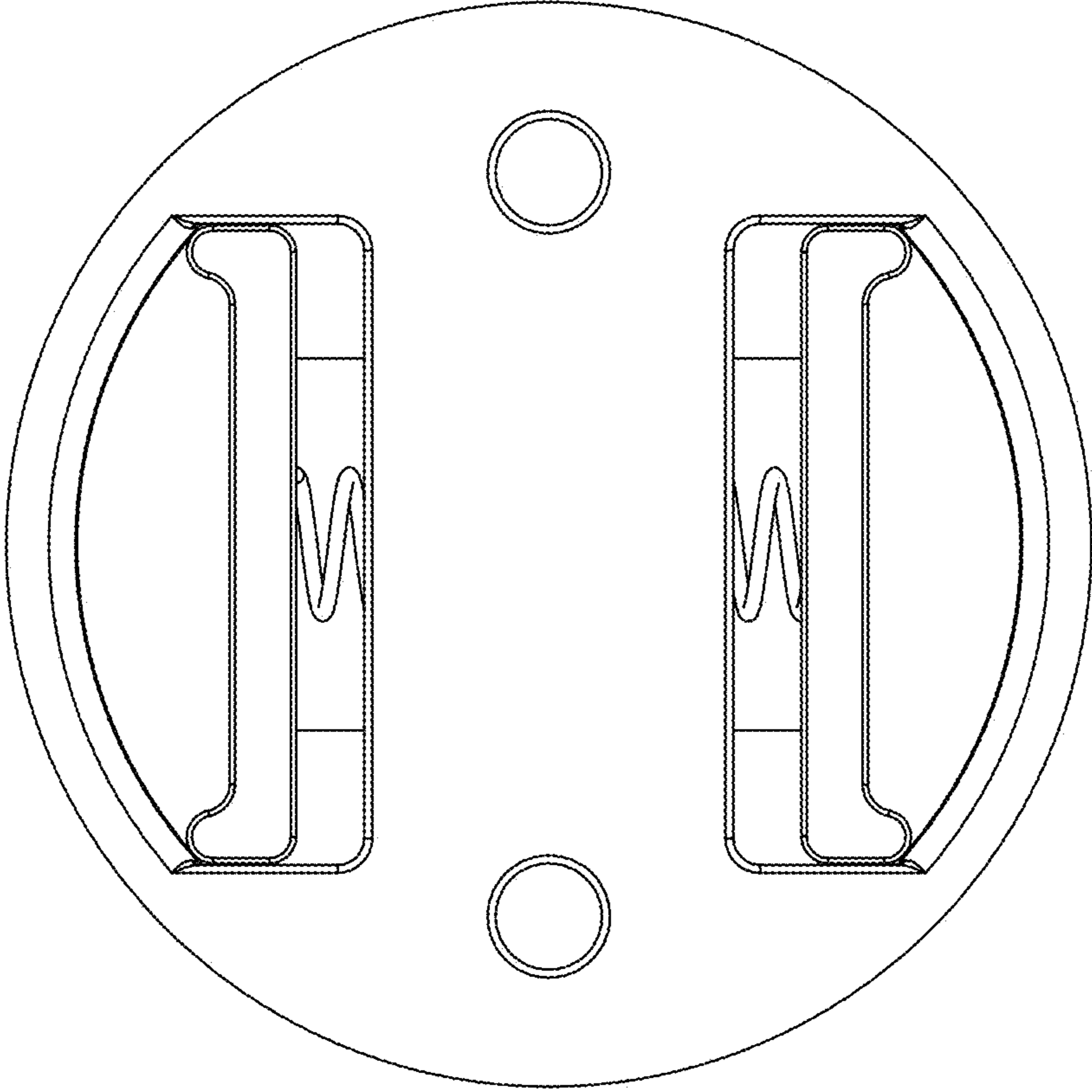


Fig. 2

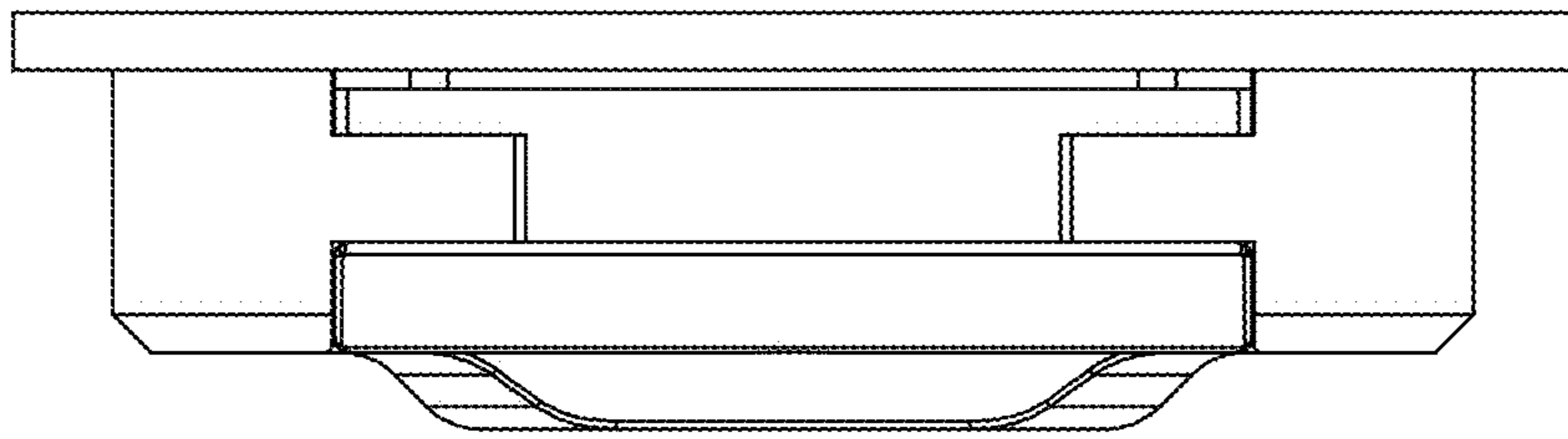


Fig. 3

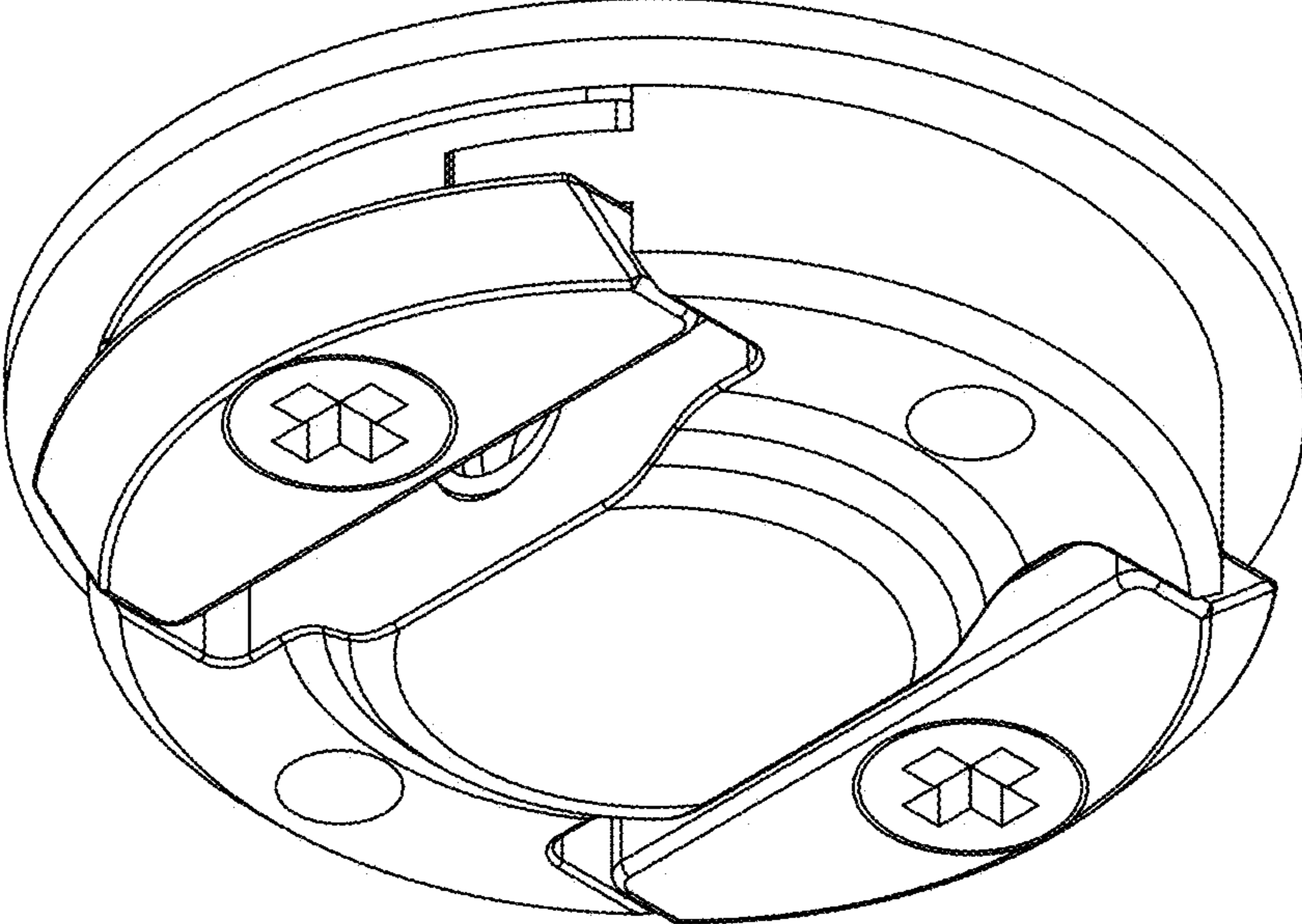


Fig. 4

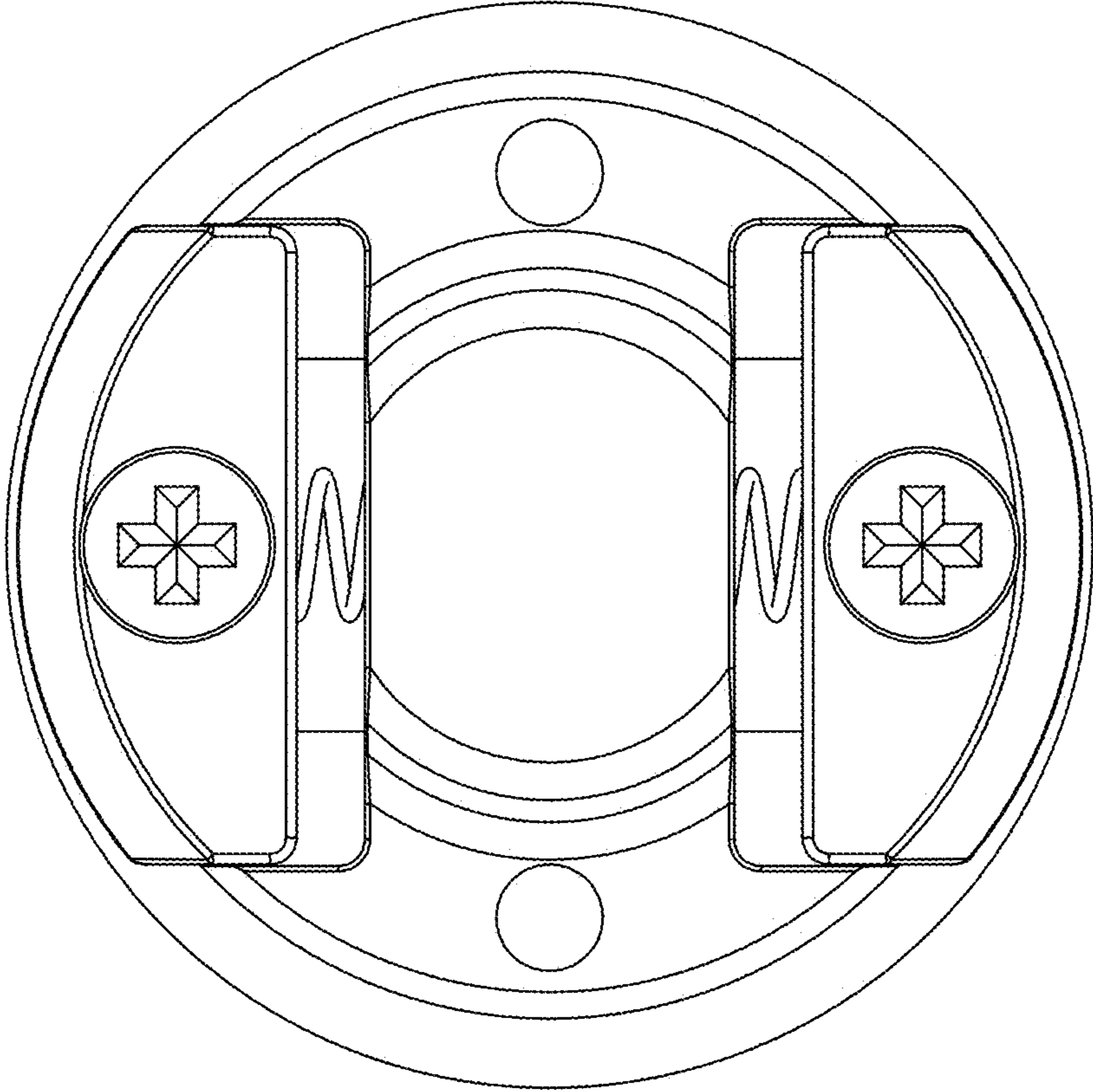


Fig. 5

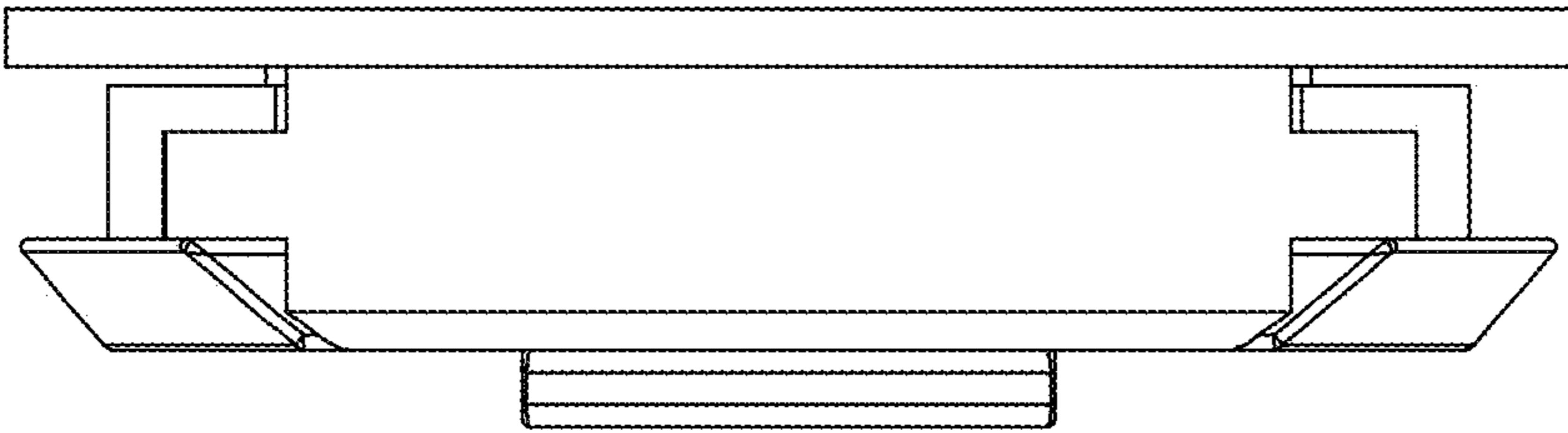


Fig. 6

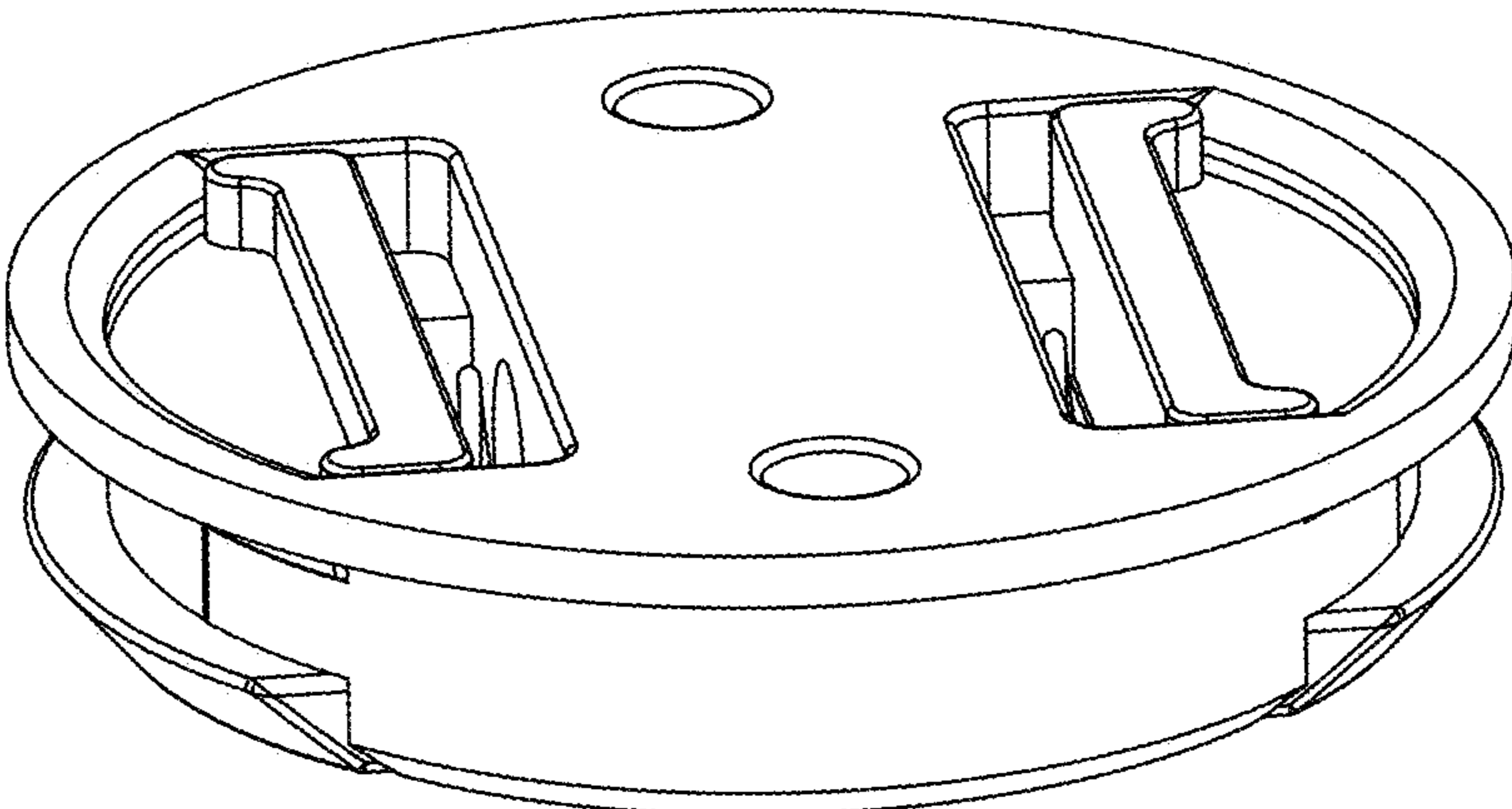


Fig. 7

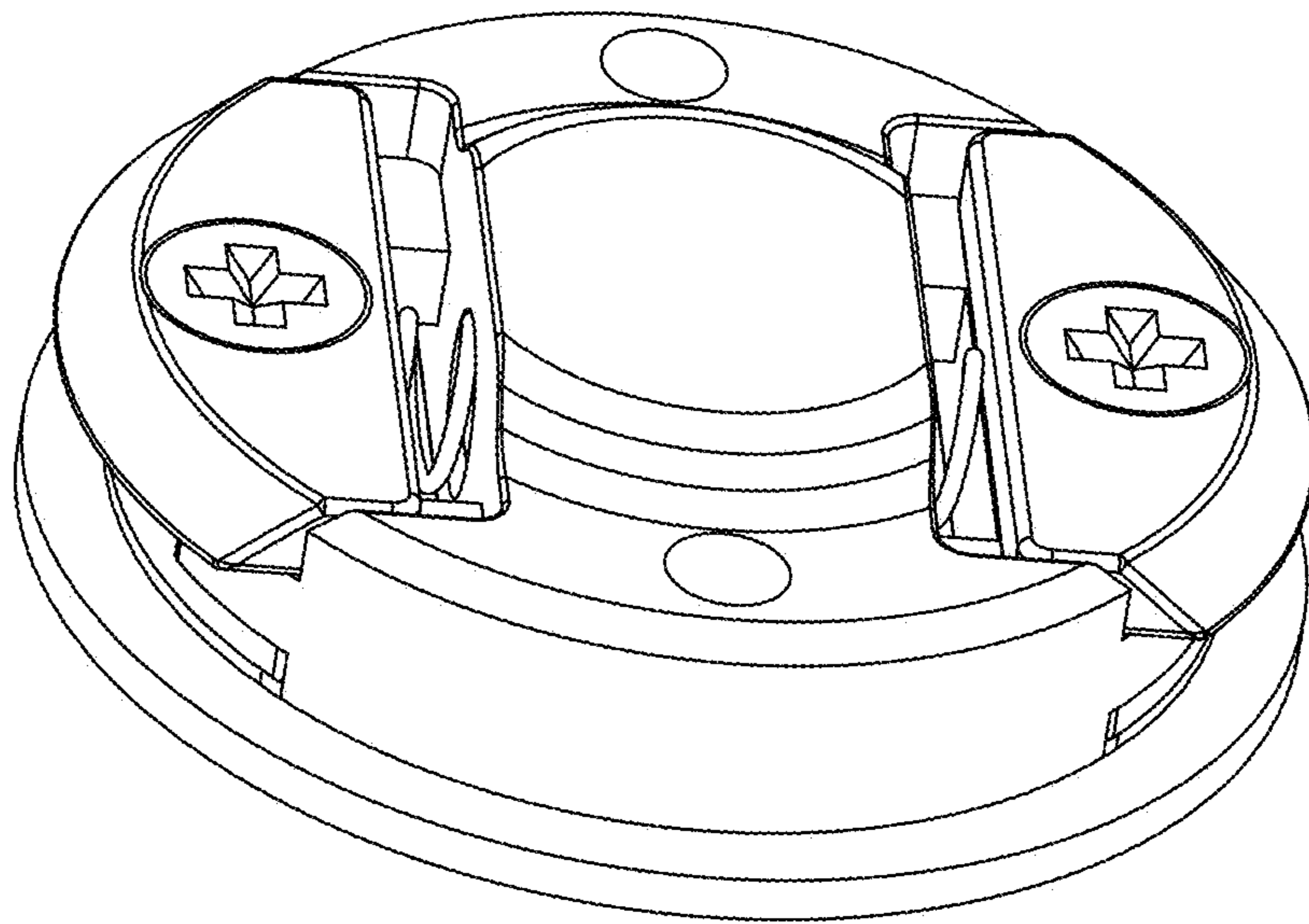


Fig. 8