



US00D742064S

(12) **United States Design Patent**
Leidel

(10) **Patent No.:** **US D742,064 S**

(45) **Date of Patent:** **** Oct. 27, 2015**

(54) **PERSONAL VAPORIZER COMPARTMENT COVER**

(71) Applicant: **The Hand Media, Inc.**, Miami, FL (US)

(72) Inventor: **Brandon Leidel**, Miami, FL (US)

(**) Term: **15 Years**

(21) Appl. No.: **29/531,148**

(22) Filed: **Jun. 23, 2015**

(51) **LOC (10) Cl.** **27-02**

(52) **U.S. Cl.**
USPC **D27/167**

(58) **Field of Classification Search**
USPC D27/101, 163, 167, 169, 193, 194;
D16/237; D7/392.1, 396.2, 510, 511;
D9/503, 504, 529, 435, 436, 443, 454
CPC A24F 47/002; A24F 47/008; B65D 39/02;
B65D 39/16
See application file for complete search history.

(56) **References Cited**

U.S. PATENT DOCUMENTS

D190,610 S	6/1961	Johnson	
3,994,305 A *	11/1976	Hughes	A24D 1/08 131/271
D254,482 S *	3/1980	Bell	222/189.06
4,460,087 A *	7/1984	DeMarco	B65D 9/02 206/415
D288,667 S *	3/1987	Miner	D9/440
D411,743 S *	6/1999	Escabar	D9/435
D494,474 S	8/2004	Houk et al.	
D511,457 S *	11/2005	Biesecker	D9/443
D522,362 S *	6/2006	Liebe	D9/449
D575,450 S	8/2008	Jones	
D626,687 S	11/2010	Gibson	
D635,858 S *	4/2011	Simmons	D9/449
D690,987 S *	10/2013	Gallen	D7/392.1
D691,765 S *	10/2013	Tucker	D27/101
D691,766 S *	10/2013	Tucker	D27/101
8,881,927 B2 *	11/2014	West	B65D 39/025 220/233
D720,218 S *	12/2014	Hutson	D9/443

D721,535 S *	1/2015	Chapman	D7/396.2
D722,196 S *	2/2015	Tucker	D27/101
D724,262 S *	3/2015	Hearn	D27/101

(Continued)

Primary Examiner — Susan Bennett Hattan

Assistant Examiner — Janice Hallmark

(74) *Attorney, Agent, or Firm* — Christopher J. VanDam, PA;
Chris VanDam

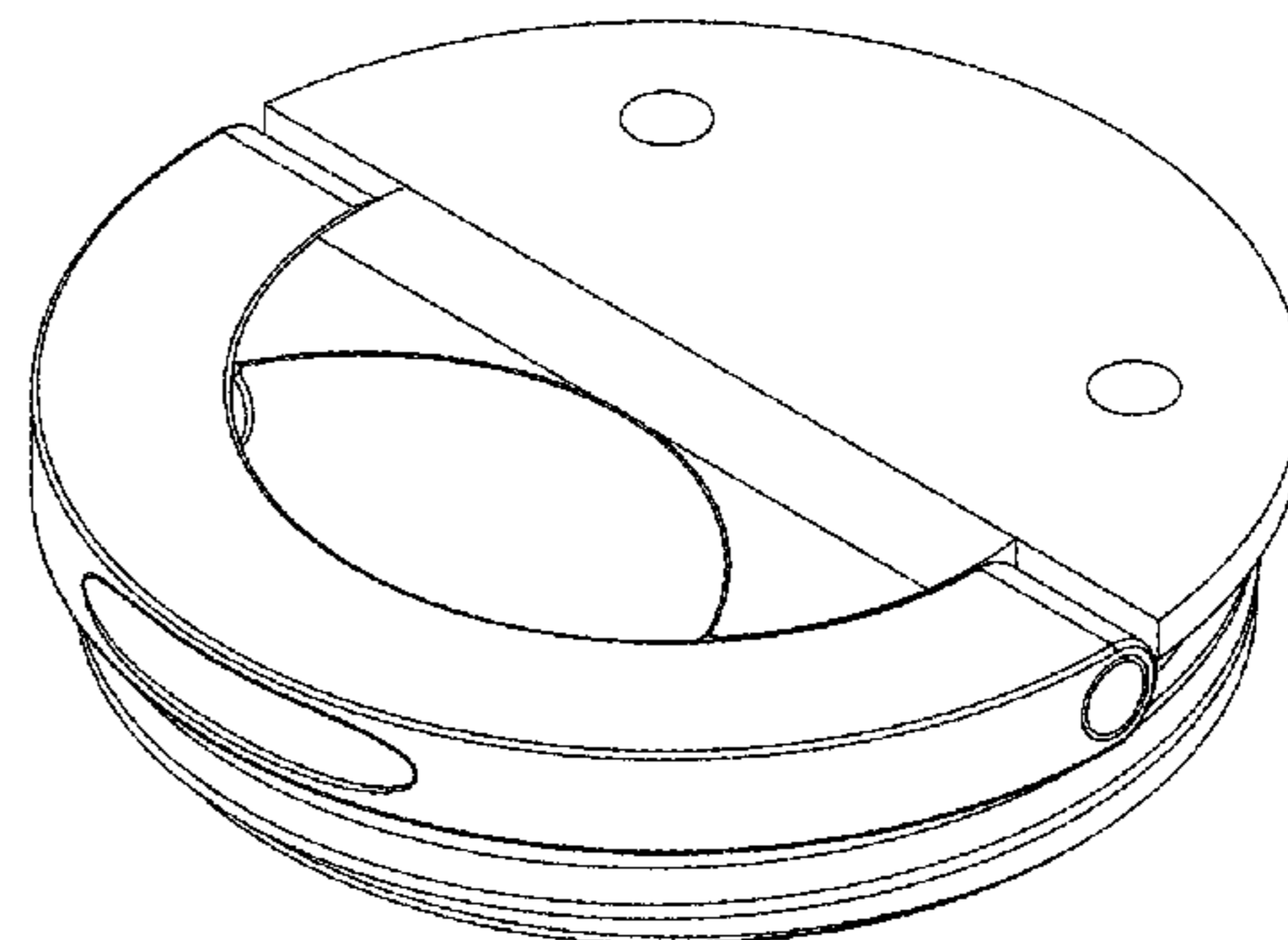
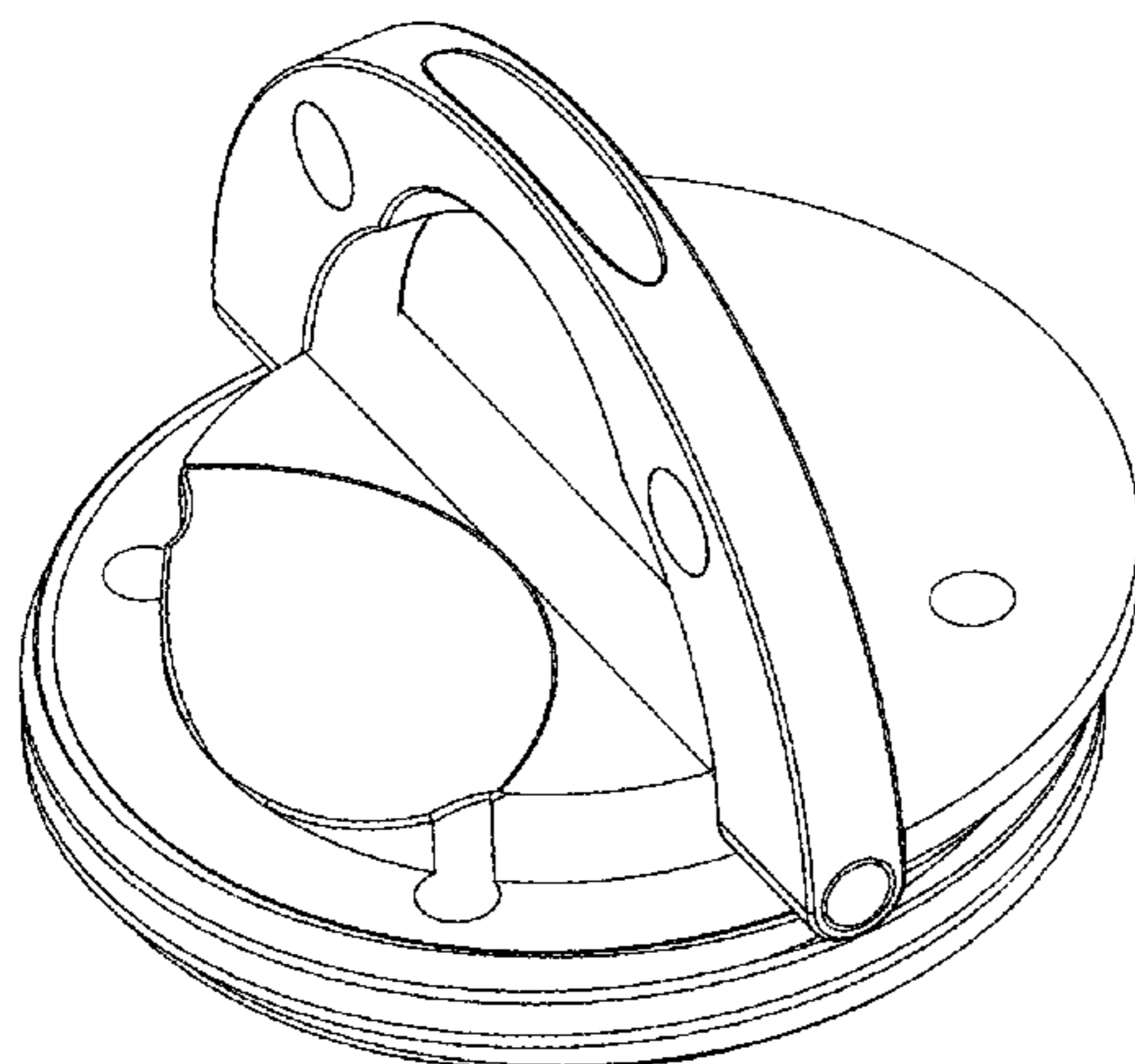
(57) **CLAIM**

The ornamental design for a personal vaporizer compartment cover, as shown and described.

DESCRIPTION

FIG. 1 shows a perspective view of a personal vaporizer compartment cover with a handle in an open mode. FIG. 2 shows a perspective view of the personal vaporizer compartment cover with the handle in a closed mode. FIG. 3 shows a side elevation view of the personal vaporizer compartment cover with the handle in the open mode. FIG. 4 shows a side elevation view of the personal vaporizer compartment cover with the handle in the open mode. FIG. 5 shows a bottom plan view of the personal vaporizer compartment cover with the handle in the open mode. FIG. 6 shows a top plan view of the personal vaporizer compartment cover with the handle in the closed mode. FIG. 7 shows a perspective view of the personal vaporizer compartment cover with the handle in the closed mode. FIG. 8 shows a perspective view of the personal vaporizer compartment cover with the handle in the closed mode. FIG. 9 shows a bottom plan view of the personal vaporizer compartment cover with the handle in the closed mode. FIG. 10 shows an elevation view of the personal vaporizer compartment cover with the handle in the closed mode. FIG. 11 shows an elevation view of the personal vaporizer compartment cover with the handle in the closed mode; and, FIG. 12 shows an elevation view of the personal vaporizer compartment cover with the handle in the closed mode. A cover to open and close a compartment on a personal vaporizer.

1 Claim, 12 Drawing Sheets



(56)

References Cited

U.S. PATENT DOCUMENTS

D724,781 S *	3/2015	Hearn	D27/101	2014/0290675 A1*	10/2014	Xiang	A24F 47/008	131/273
D726,364 S *	4/2015	Weigensberg	D27/101						131/329
D726,365 S *	4/2015	Weigensberg	D27/101	2015/0128973 A1*	5/2015	Li	A24F 47/008	131/329
D726,367 S	4/2015	Dukat			2015/0150306 A1*	6/2015	Chen	H05B 3/40	131/329
D728,852 S *	5/2015	Hearn	D27/101	2015/0173421 A1*	6/2015	Hsieh	A24F 47/008	131/329
D738,036 *	9/2015	Tucker	D27/101						
2014/0109921 A1*	4/2014	Chen	A24F 47/008						

* cited by examiner

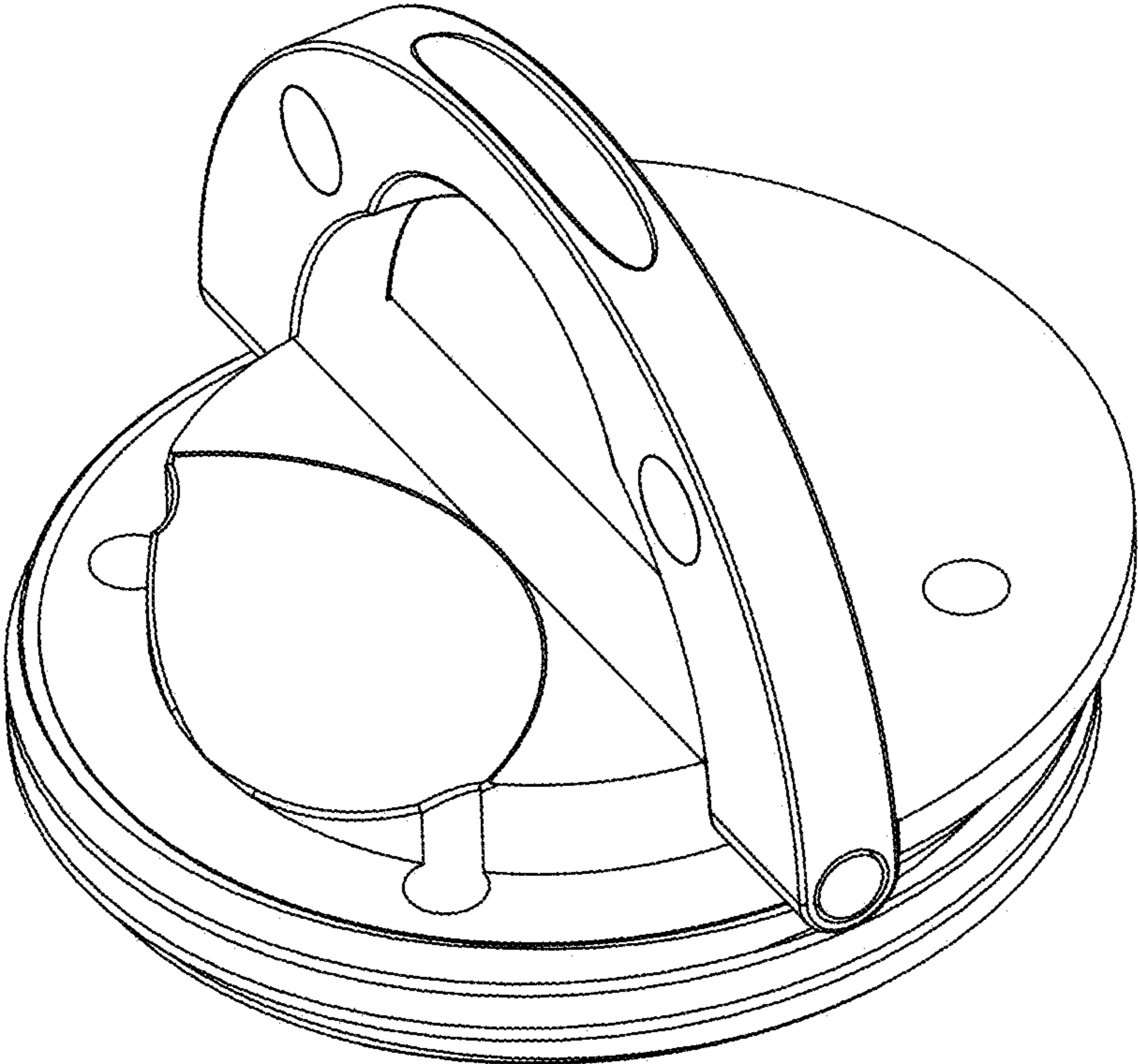


Fig. 1

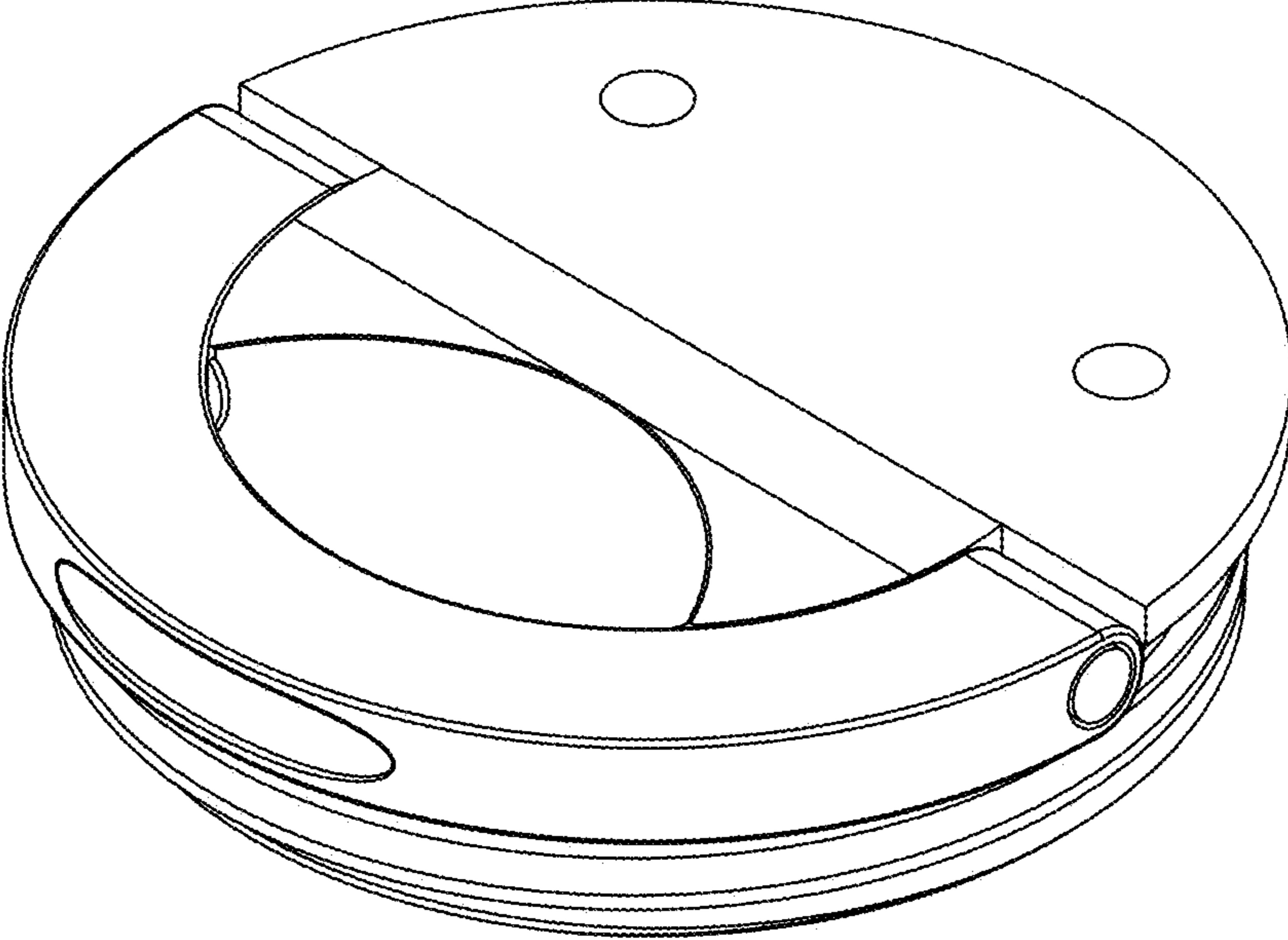


Fig. 2

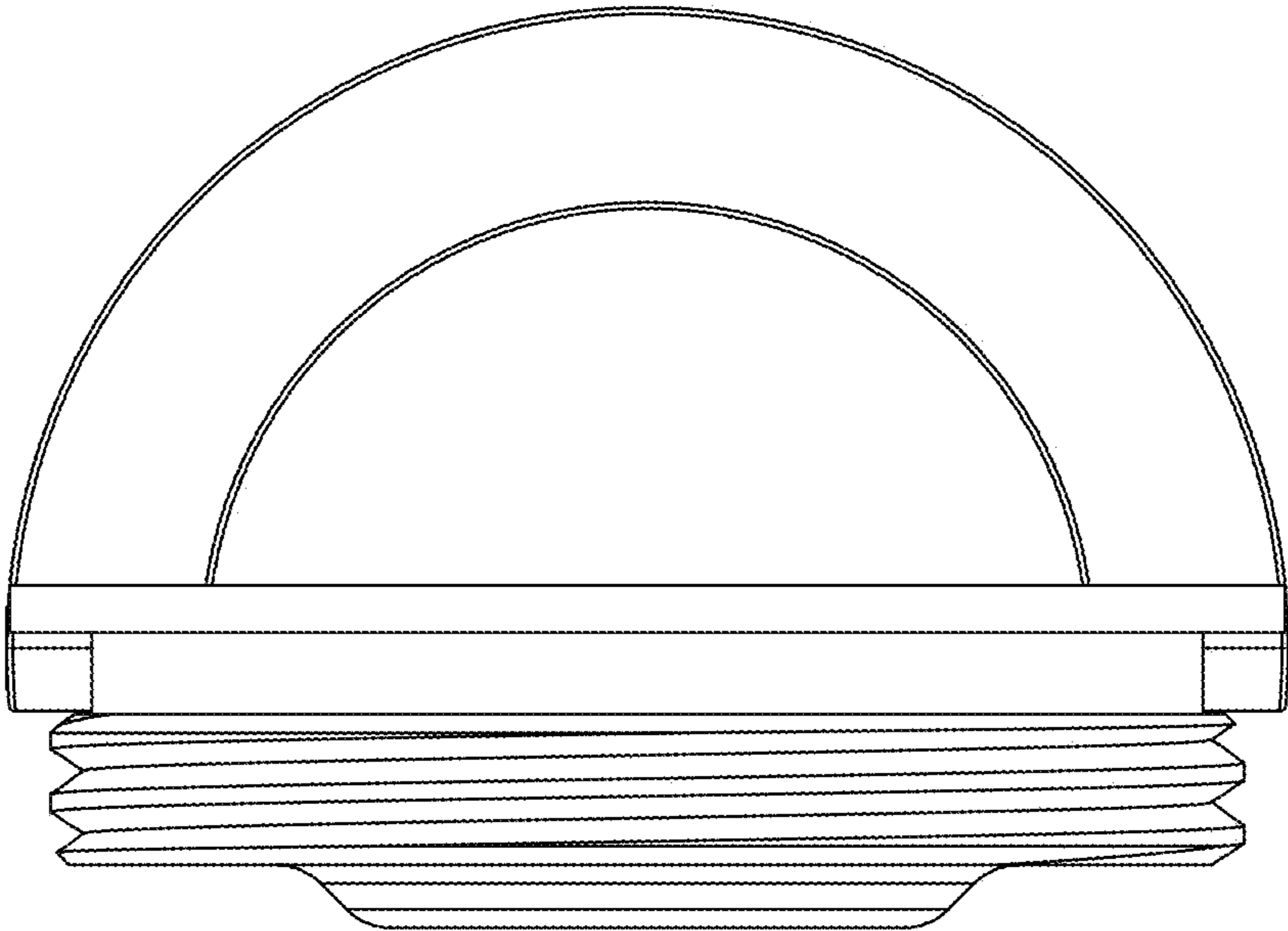


Fig. 3

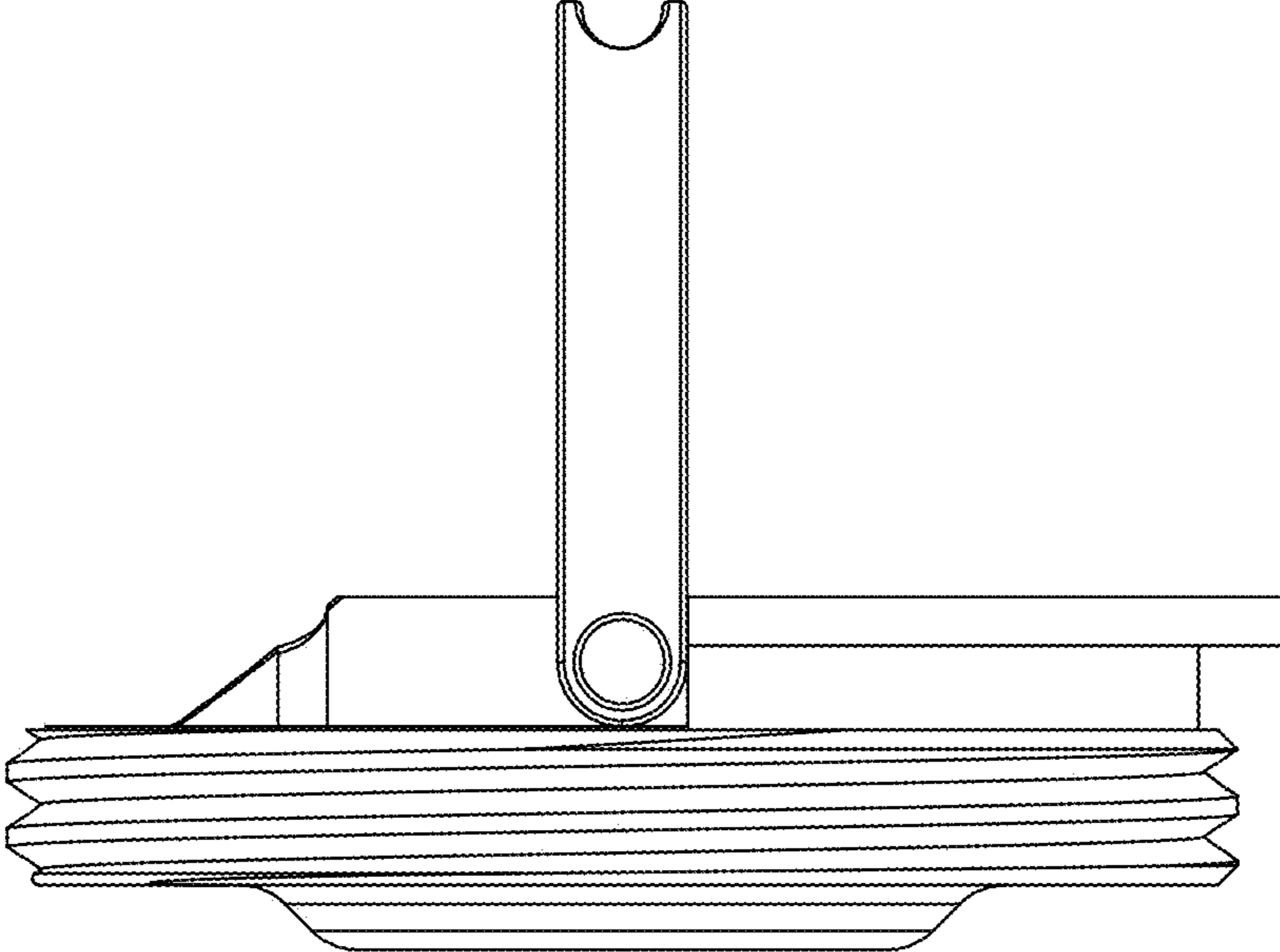


Fig. 4

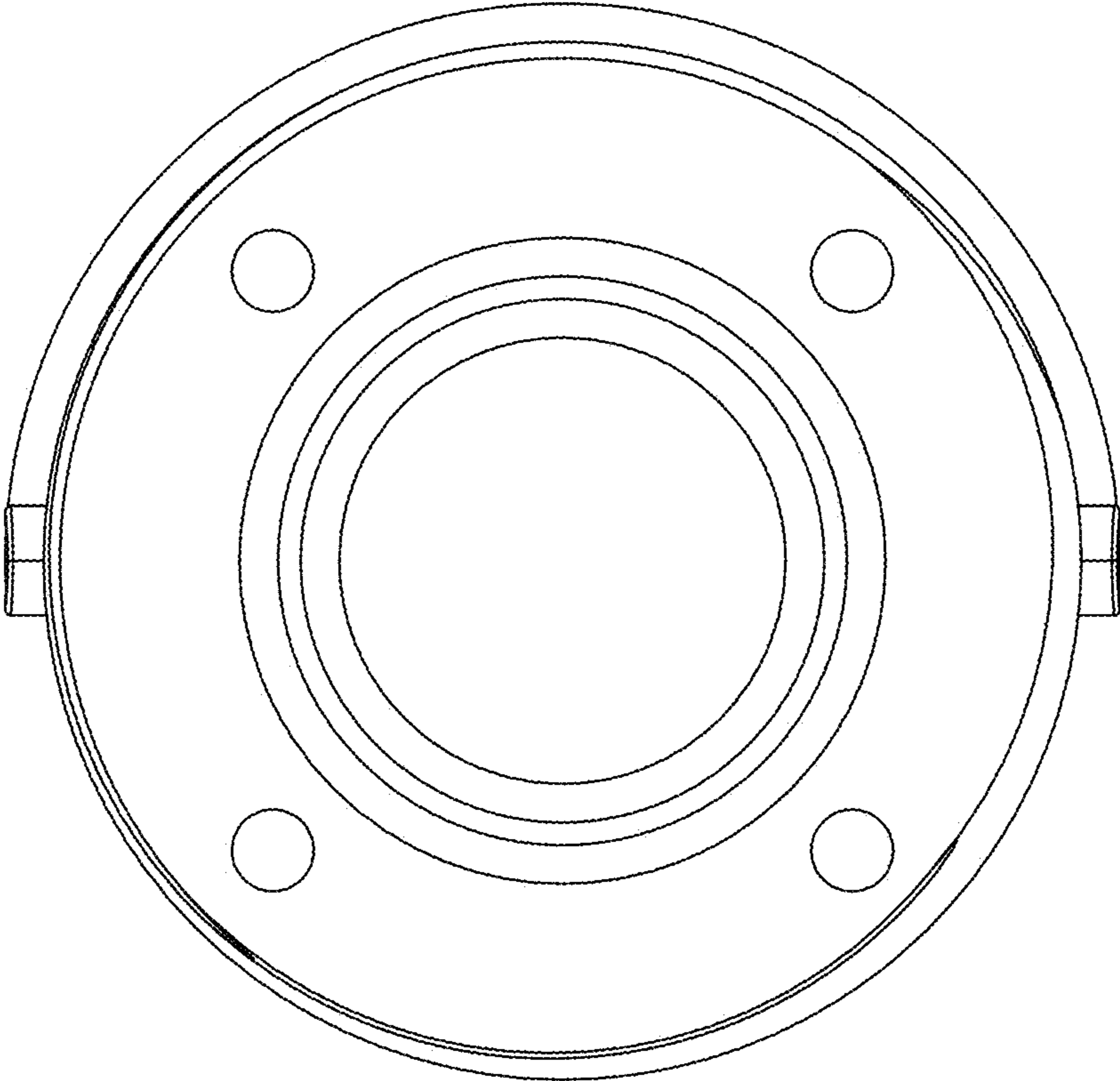


Fig. 5

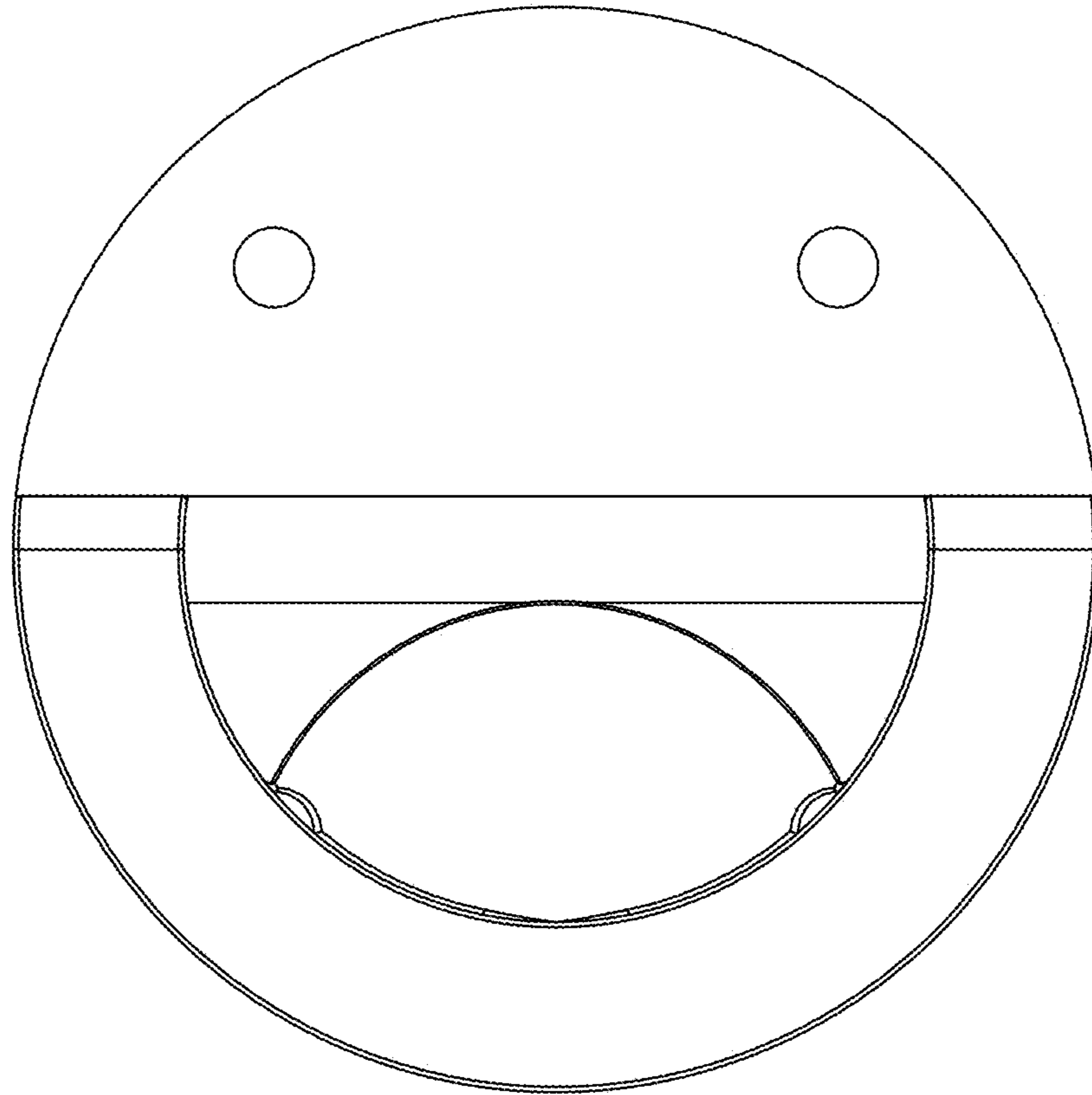


Fig. 6

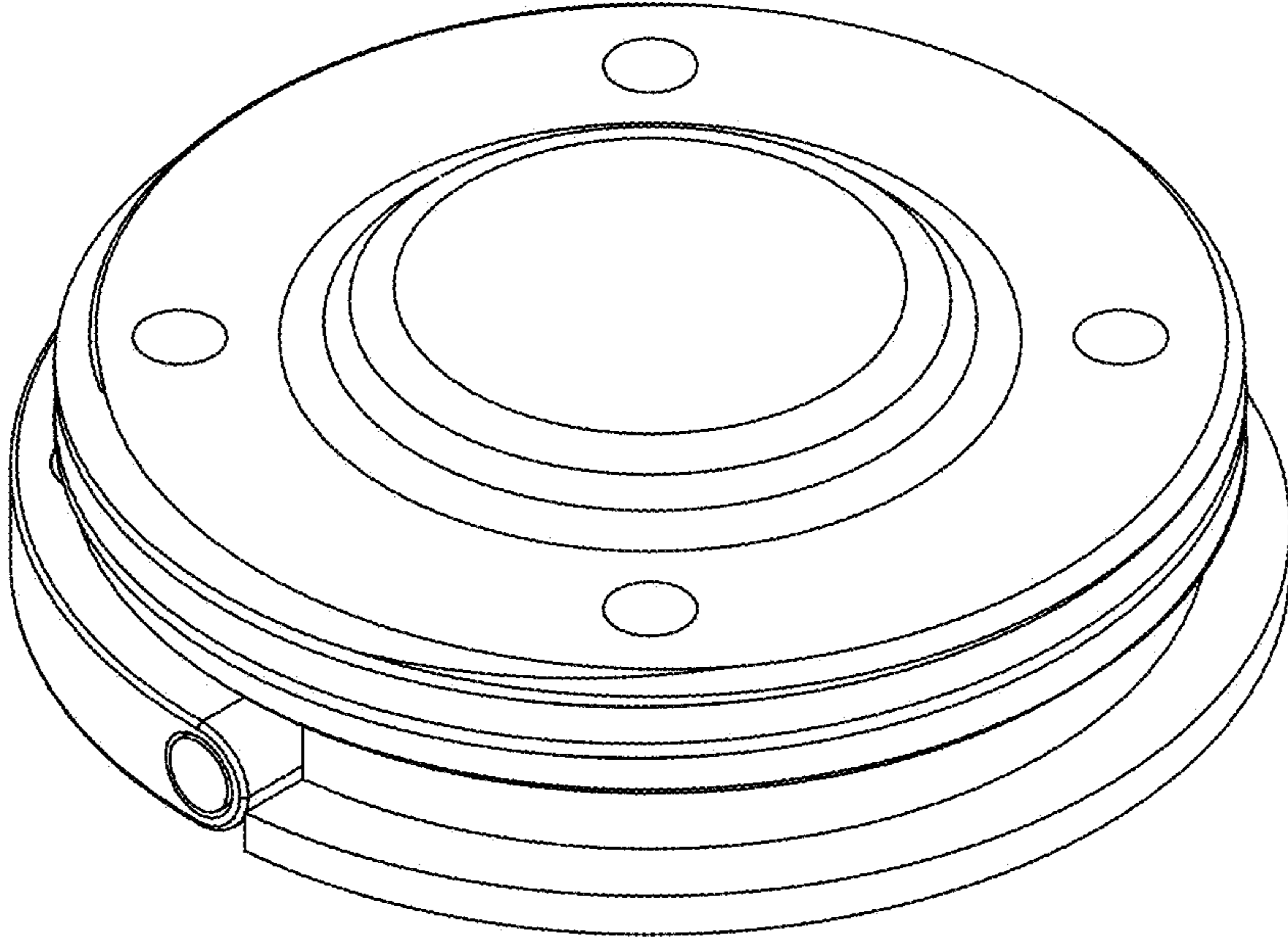


Fig. 7

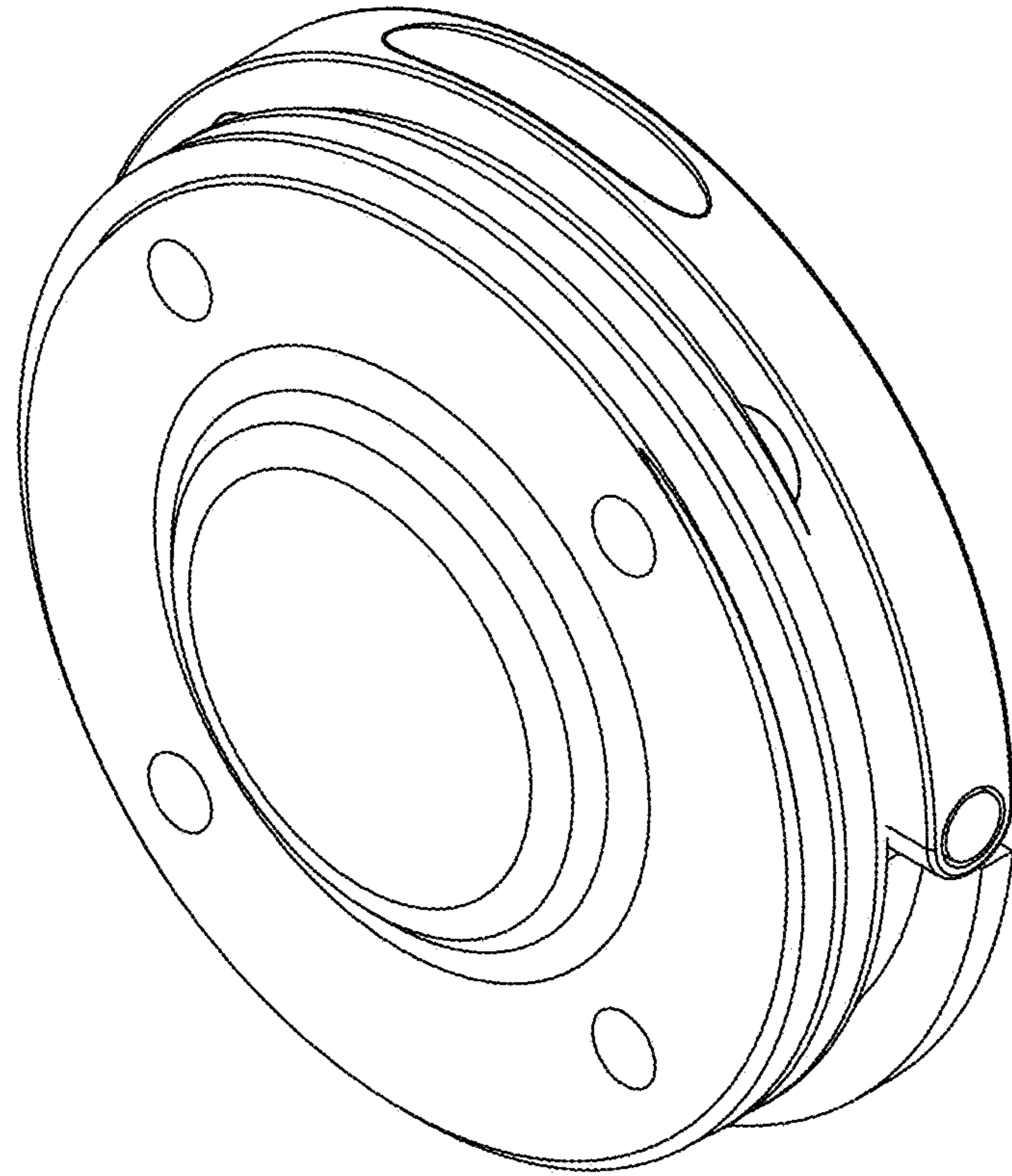


Fig. 8

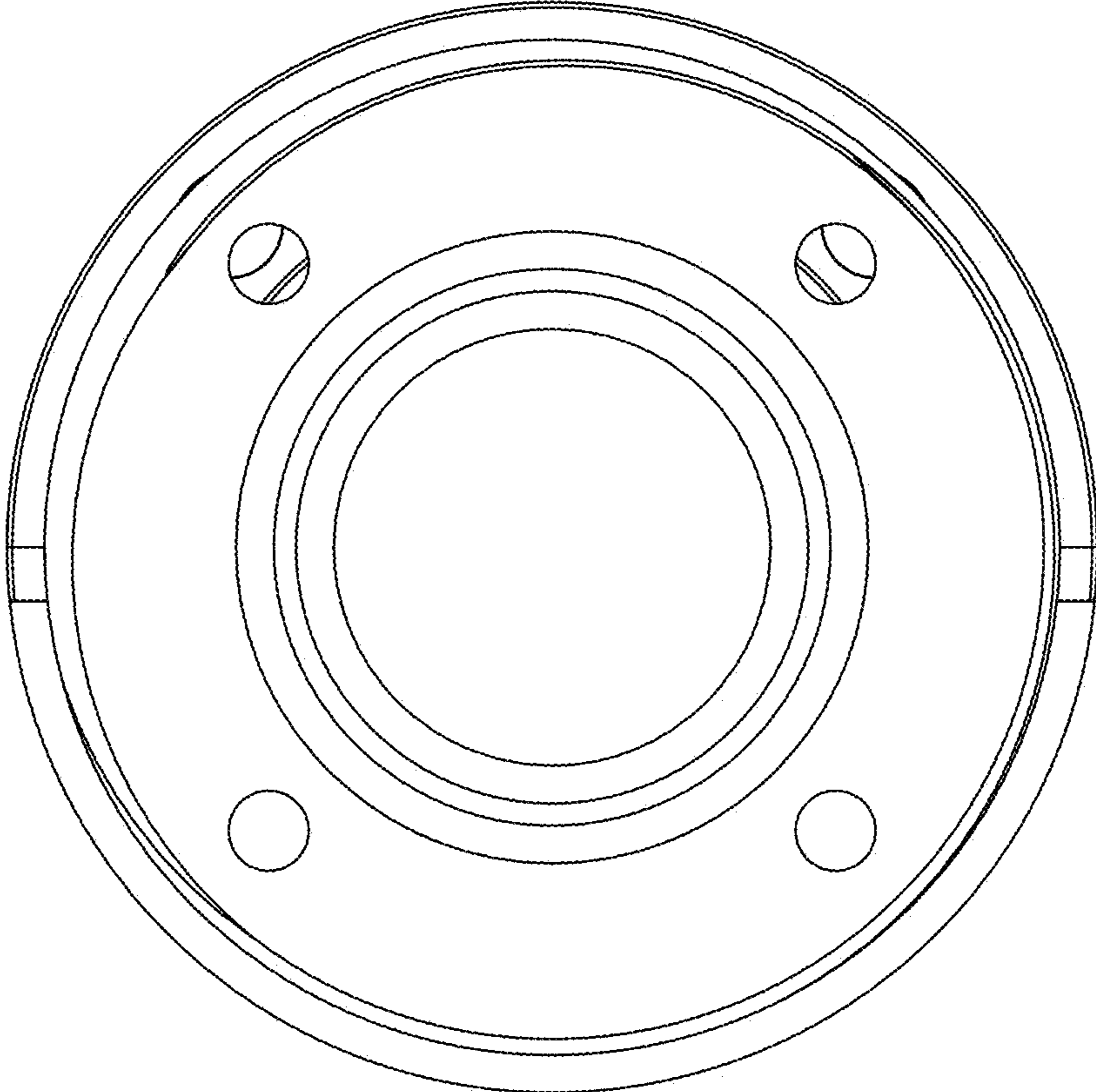


Fig. 9

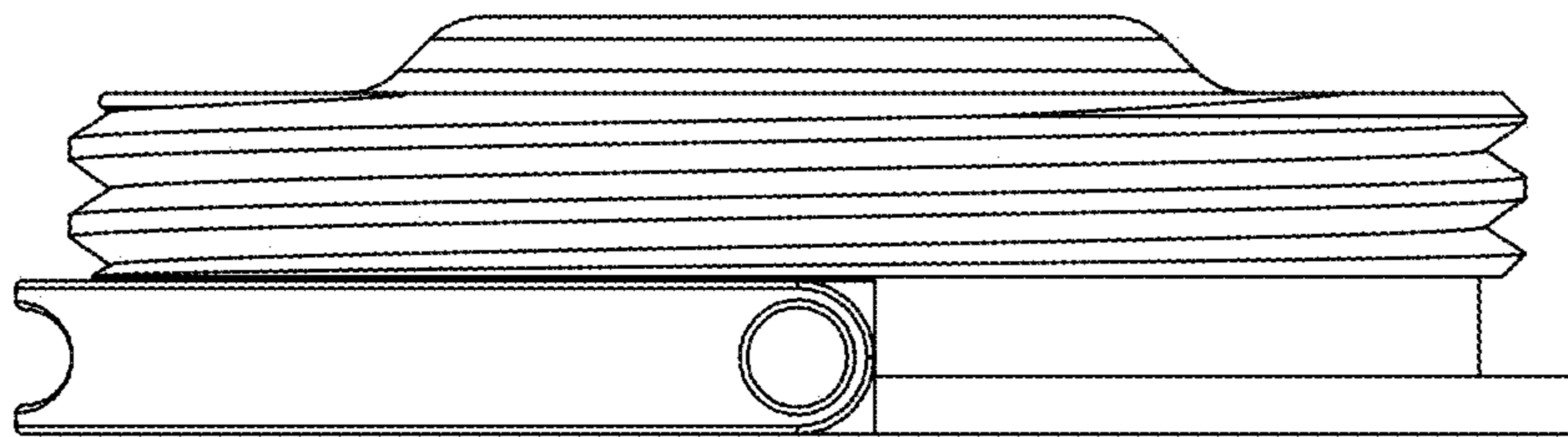


Fig. 10

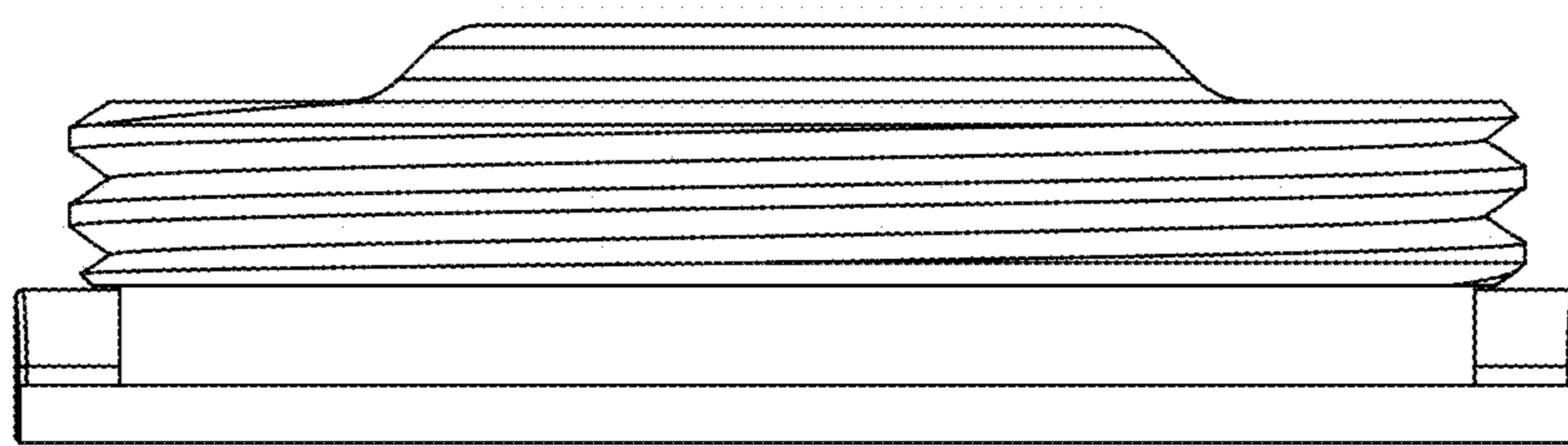


Fig. 11

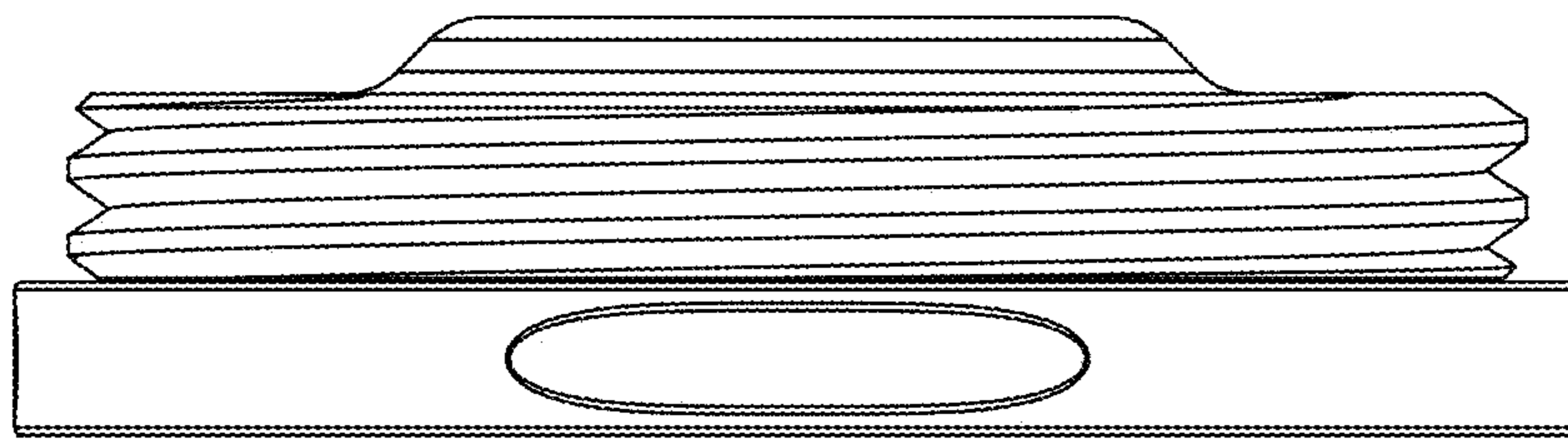


Fig. 12