



US00D742057S

(12) **United States Design Patent**
Engesvik

(10) **Patent No.:** **US D742,057 S**

(45) **Date of Patent:** **** Oct. 27, 2015**

(54) **LAMP**

(71) Applicant: **FONTANAARTE S.p.A.**, Corsico,
(Milan) (IT)

(72) Inventor: **Andreas Engesvik**, Oslo (NO)

(73) Assignee: **FONTANAARTE S.p.A.**, Corsico (IT)

(**) Term: **14 Years**

(21) Appl. No.: **29/469,326**

(22) Filed: **Oct. 9, 2013**

(30) **Foreign Application Priority Data**

Apr. 9, 2013 (IT) MI2013O0088

(51) **LOC (10) Cl.** **26-03**

(52) **U.S. Cl.**
USPC **D26/106**

(58) **Field of Classification Search**

USPC D26/24, 93, 103–108, 110–112
CPC F21S 6/00; F21S 6/002; F21V 1/00;
F21V 1/02; F21V 21/02; F21V 1/12; F21V
1/22; F21V 1/18; F21W 2131/30

See application file for complete search history.

(56) **References Cited**

U.S. PATENT DOCUMENTS

D257,902 S *	1/1981	Scholze et al.	D26/93
D318,927 S *	8/1991	Cleminshaw et al.	D26/105
D349,071 S *	7/1994	Fields et al.	D26/106
D525,739 S *	7/2006	Wu	D26/93
D546,995 S *	7/2007	Wachter et al.	D26/63
D605,337 S *	12/2009	Zhang et al.	D26/93
D612,093 S *	3/2010	Espiau et al.	D26/105
D721,846 S *	1/2015	Scatena	D26/106
D725,812 S *	3/2015	Cho	D26/106

* cited by examiner

Primary Examiner — Brian N Vinson

(74) *Attorney, Agent, or Firm* — Meunier Carlin & Curfman
LLC

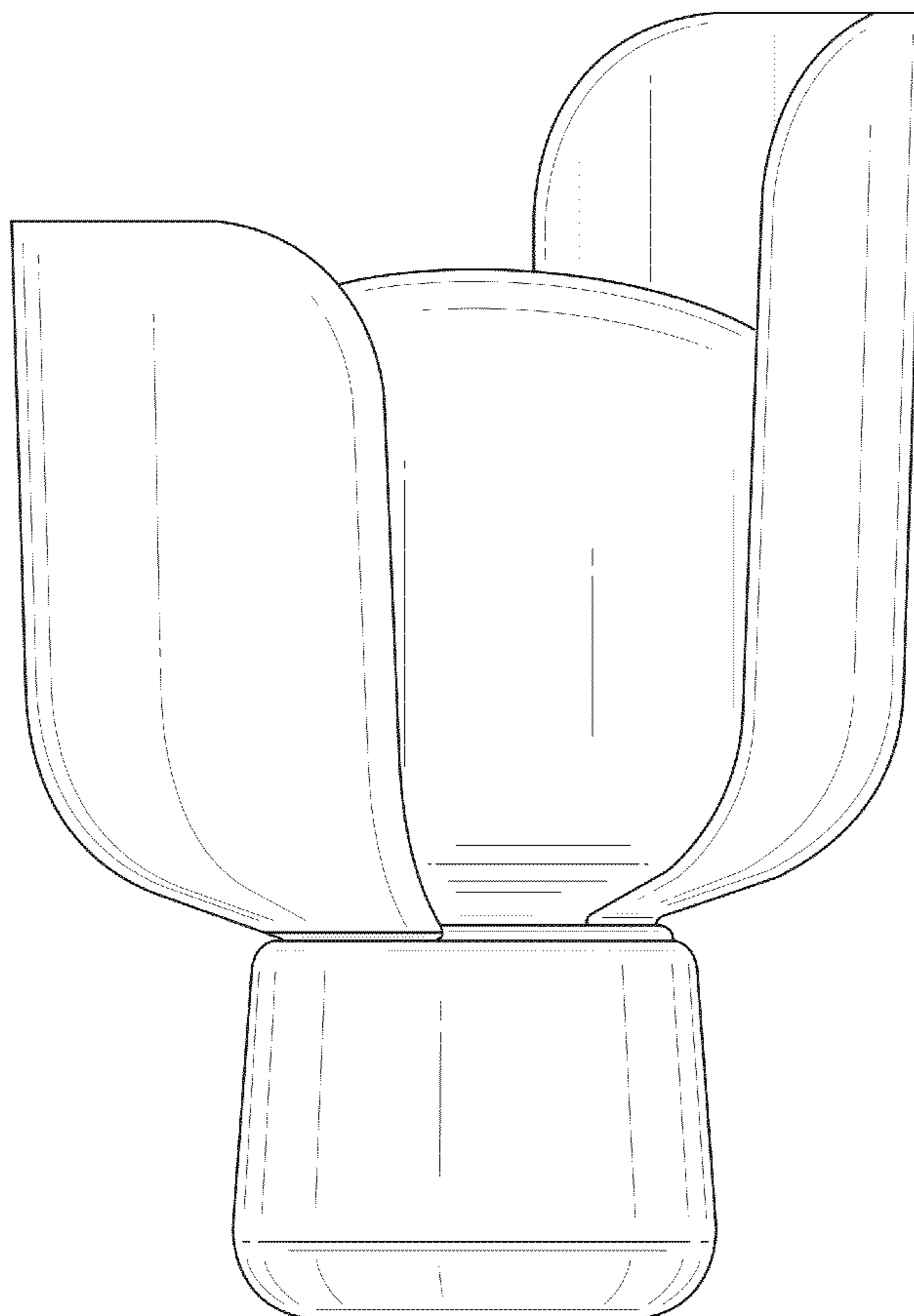
(57) **CLAIM**

The ornamental design for a lamp, as shown and described.

DESCRIPTION

FIG. 1 is a front view of a lamp showing my new design:
FIG. 2 is an additional front view thereof; and,
FIG. 3 is a side view thereof, with the bottom forming no part
of the claimed design. The broken line disclosure of a cord
fragment forms no part of the claimed design.

1 Claim, 3 Drawing Sheets



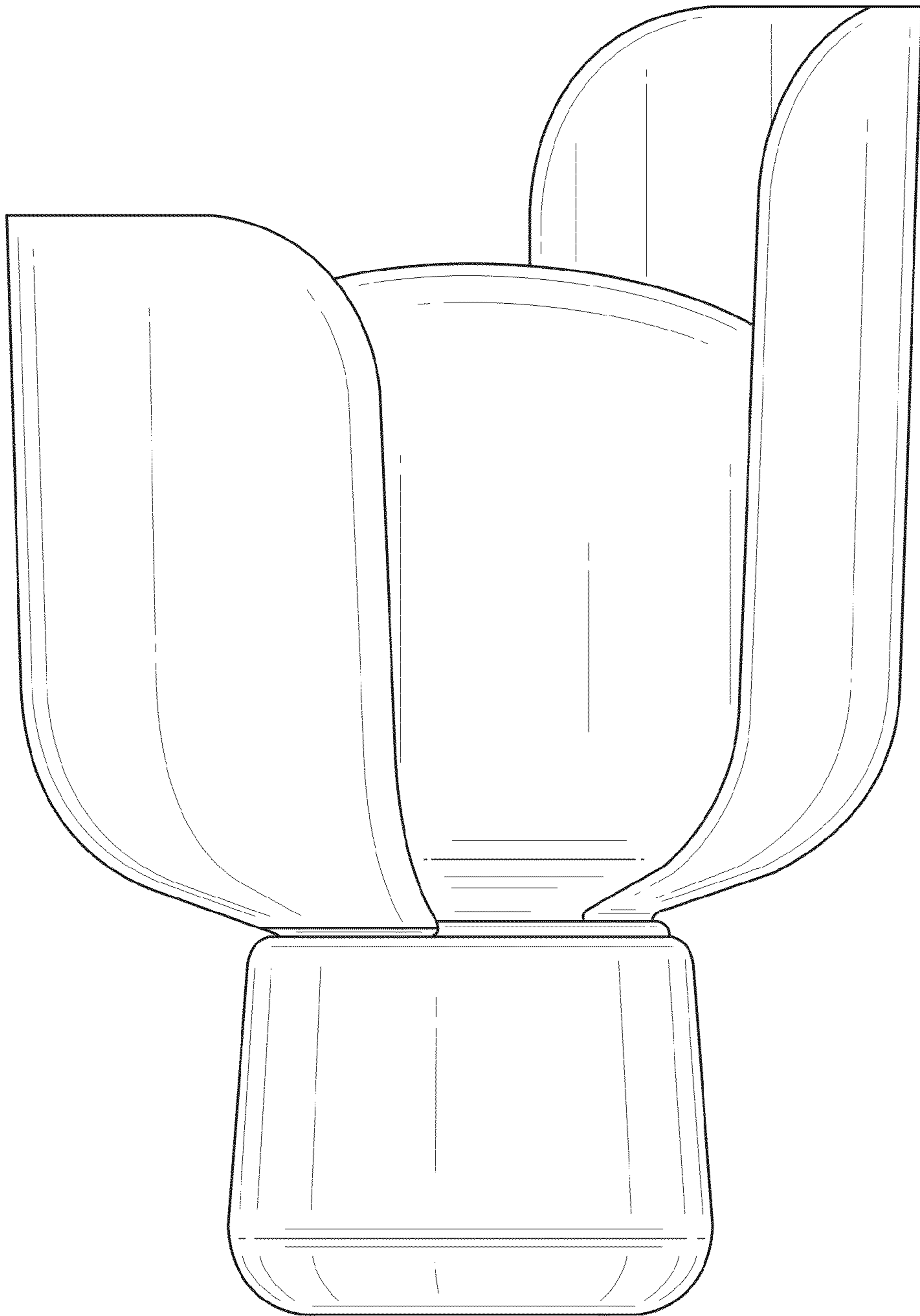


FIG. 1

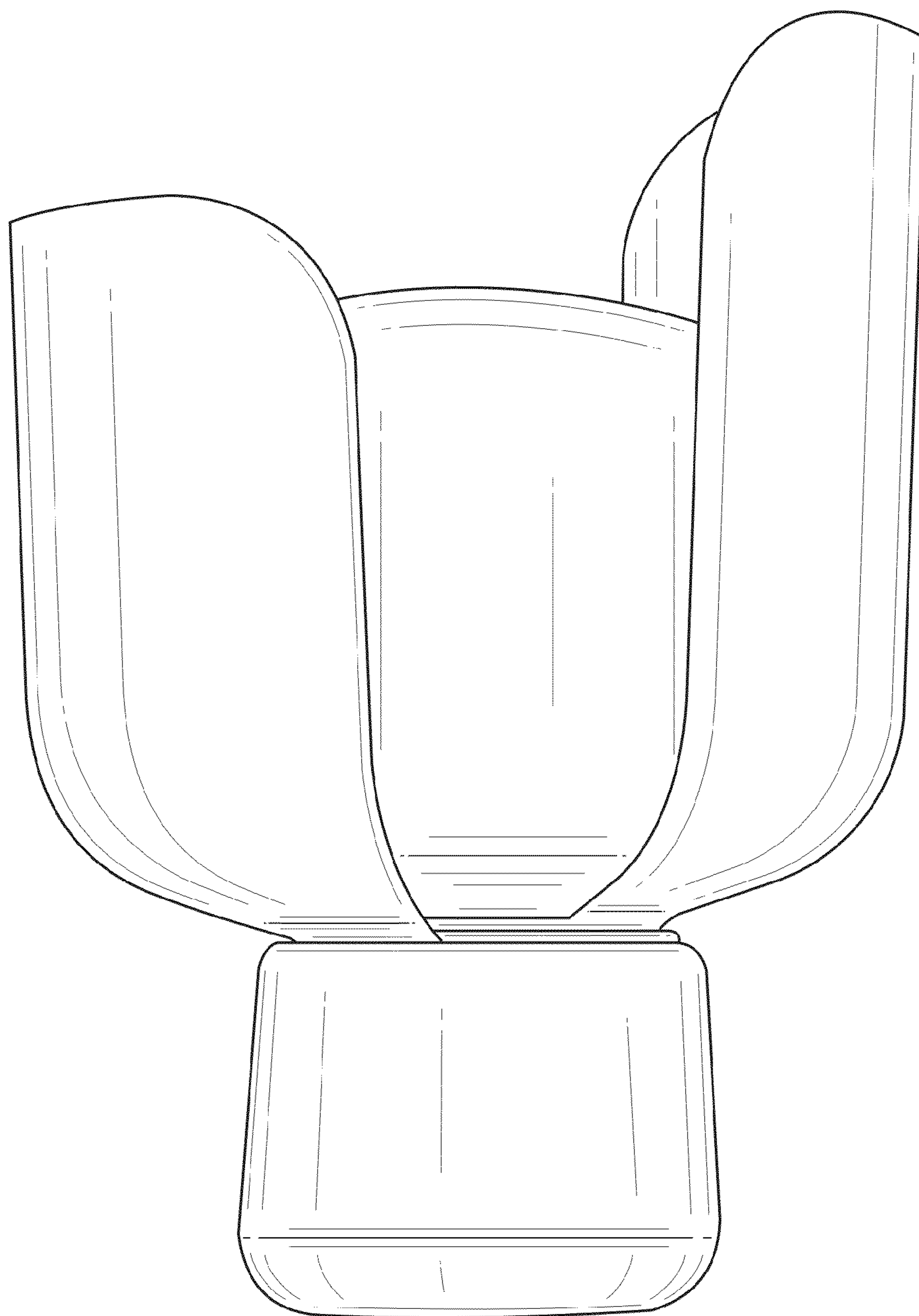


FIG. 2

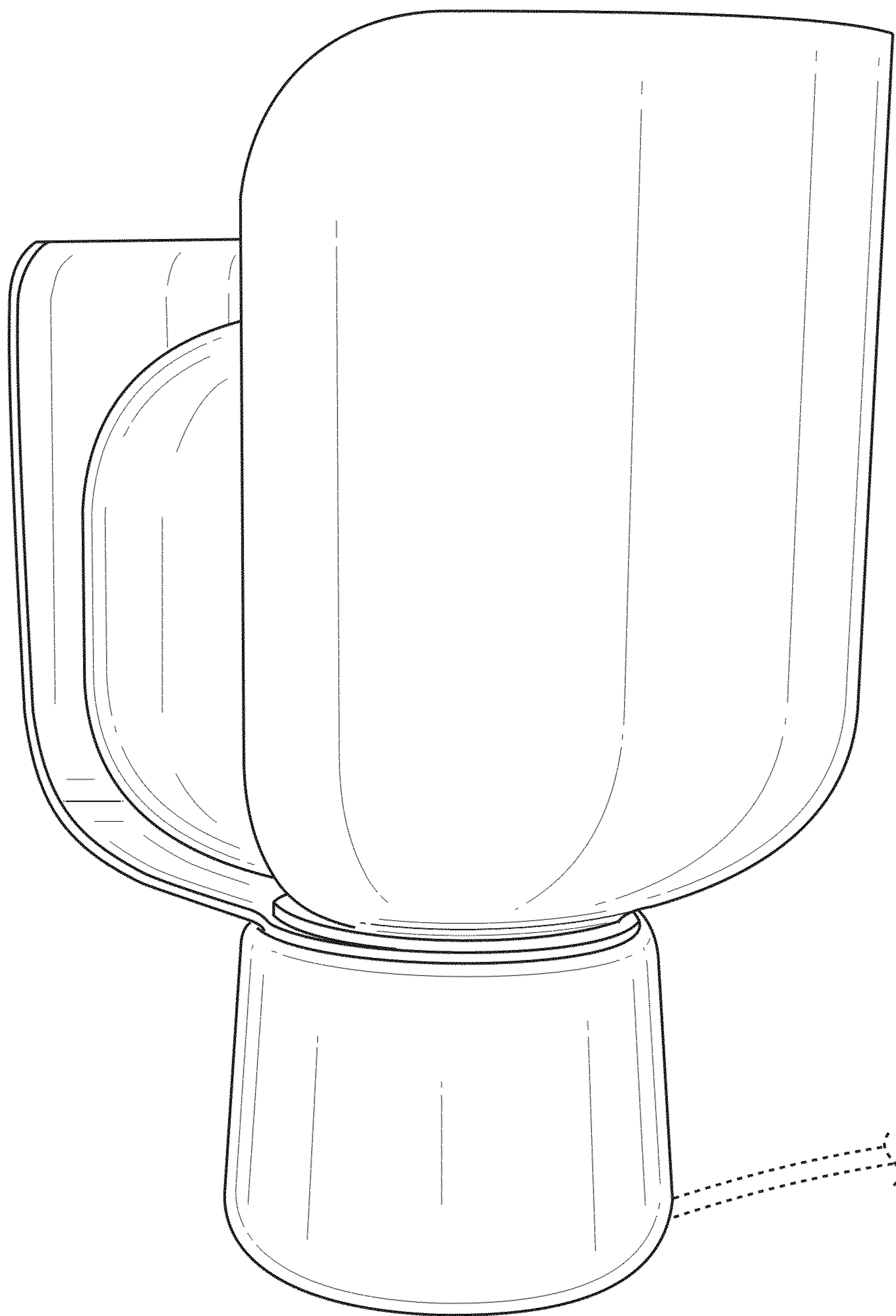


FIG. 3