



US00D742056S

(12) **United States Design Patent**  
**Yang**

(10) **Patent No.:** **US D742,056 S**  
(45) **Date of Patent:** **\*\* Oct. 27, 2015**

- (54) **LOW PROFILE LIGHT FIXTURE**
- (71) Applicant: **Jerry S. C. Yang**, Taichung (TW)
- (72) Inventor: **Jerry S. C. Yang**, Taichung (TW)
- (\*\*) Term: **14 Years**
- (21) Appl. No.: **29/501,823**
- (22) Filed: **Sep. 9, 2014**
- (51) **LOC (10) Cl.** ..... **26-03**
- (52) **U.S. Cl.**  
USPC ..... **D26/89; D26/134; D26/136**
- (58) **Field of Classification Search**  
USPC ..... **D26/72, 85, 89, 118, 120, 128-137**  
CPC ..... **F21S 8/03; F21S 8/033; F21S 8/04;**  
**F21V 3/04; F21V 3/0418; F21V 3/0427;**  
**F21V 3/0436; F21V 3/0445; F21V 21/02;**  
**F21V 21/03; F21V 29/506; F21V 3/049;**  
**F21V 5/045; F21V 7/04; F21V 11/06**  
See application file for complete search history.

- (56) **References Cited**  
**U.S. PATENT DOCUMENTS**  
453,187 A \* 6/1891 Hobbs ..... F21V 5/00  
362/334  
679,771 A \* 8/1901 Mygatt ..... F21V 5/00  
362/340  
D77,409 S \* 1/1929 Harris ..... D26/132  
1,770,726 A \* 7/1930 Bauersfeld ..... F21V 7/04  
362/348  
D99,742 S \* 5/1936 Dauman ..... D26/132  
D101,823 S \* 11/1936 Rolph ..... D26/132  
D170,084 S \* 7/1953 Glatthar et al. .... D26/89

- 2,938,112 A \* 5/1960 Dvorak ..... F21V 17/00  
220/326
- 3,007,039 A \* 10/1961 Dvorak ..... F21V 17/00  
362/355
- 4,462,068 A \* 7/1984 Shadwick ..... F21V 5/02  
362/309
- 4,633,377 A \* 12/1986 Mackiewicz ..... F21S 8/04  
362/309
- D496,487 S \* 9/2004 Rhee ..... D26/89
- D602,193 S \* 10/2009 Soderman ..... D26/89
- D722,192 S \* 2/2015 Boyer ..... D26/89
- D722,193 S \* 2/2015 Boyer ..... D26/89
- D722,194 S \* 2/2015 Guercio ..... D26/89

\* cited by examiner

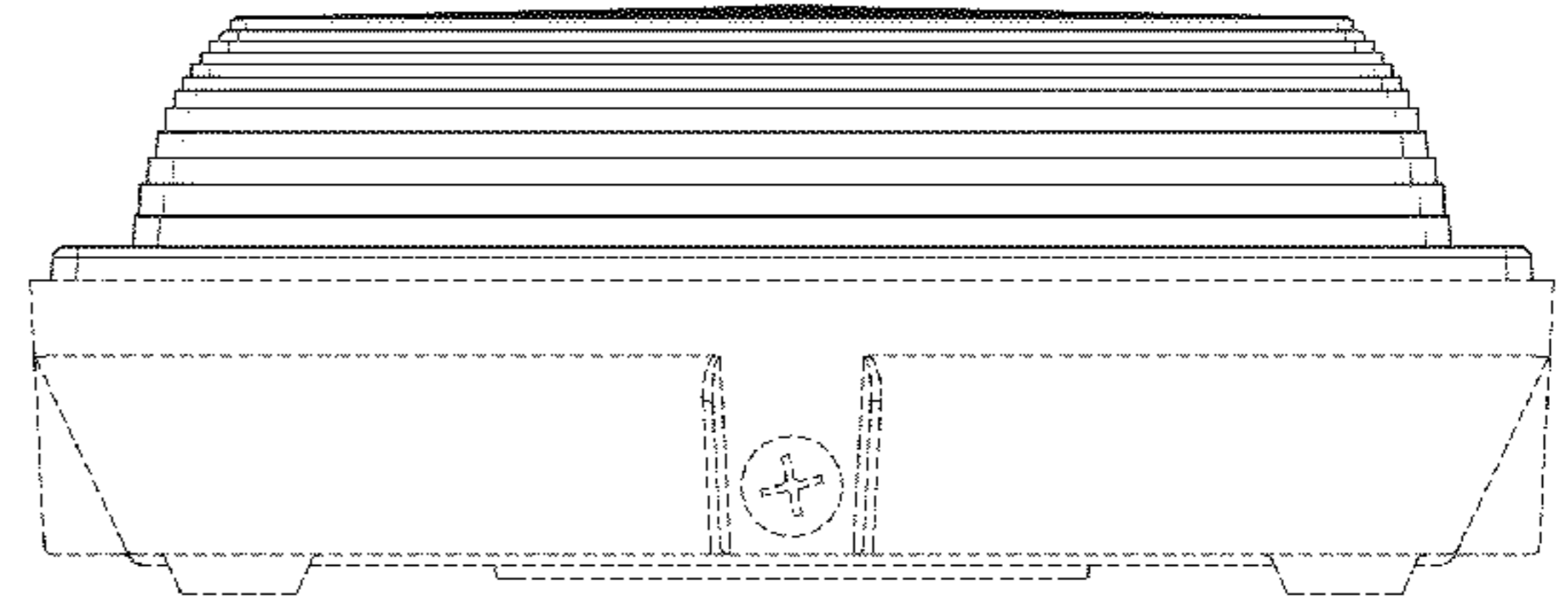
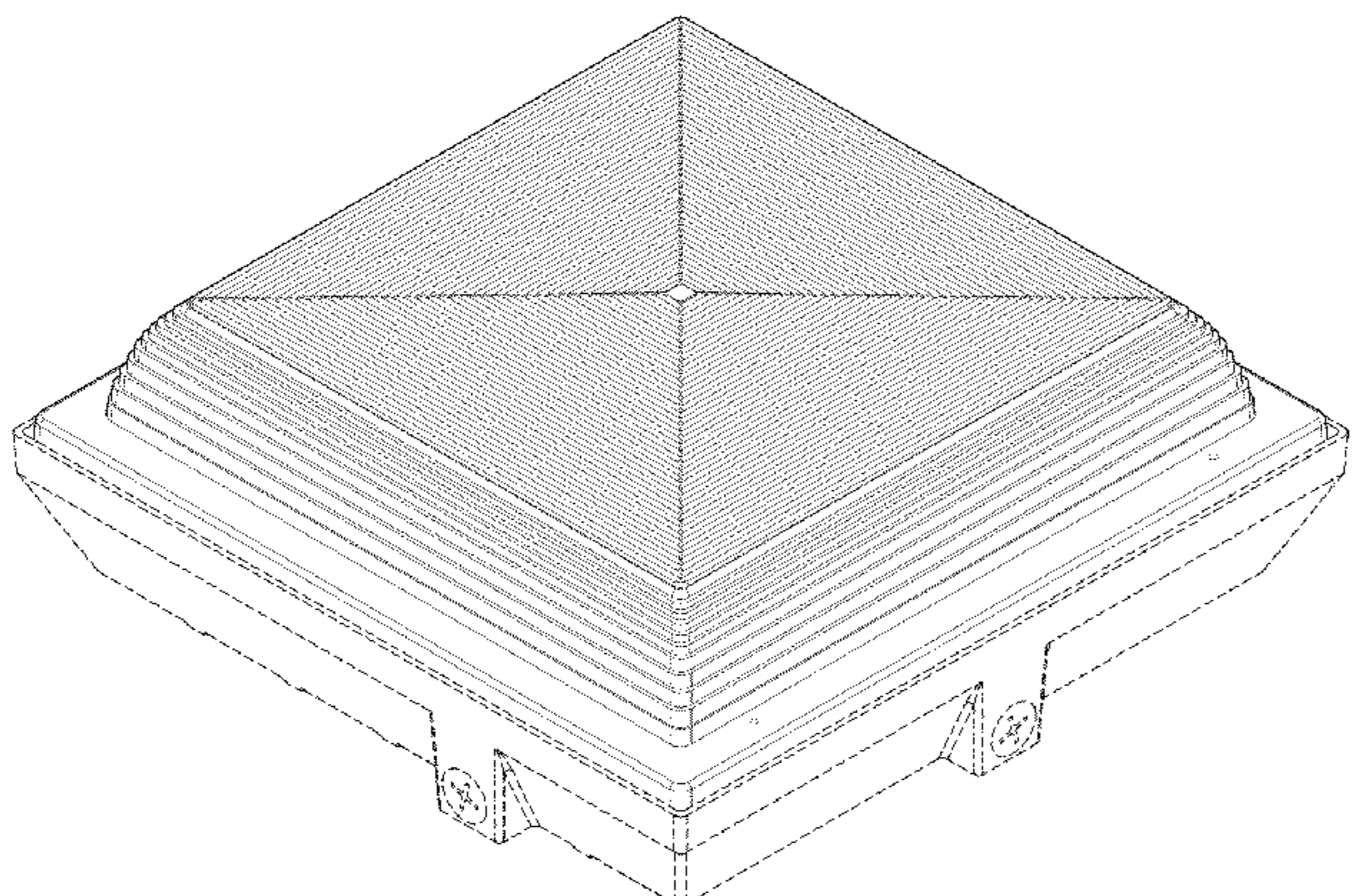
*Primary Examiner* — Clare E Heflin  
(74) *Attorney, Agent, or Firm* — Pai Patent & Trademark Law Firm; Chao-Chang David Pai

(57) **CLAIM**  
The ornamental design for a low profile light fixture, as shown and described.

**DESCRIPTION**

FIG. 1 is a perspective view of a low profile light fixture, showing my new design;  
FIG. 2 is a front elevational view thereof;  
FIG. 3 is a rear elevational view thereof;  
FIG. 4 is a left side elevational view thereof;  
FIG. 5 is a right side elevational view thereof; and,  
FIG. 6 is a top plan view thereof.  
The broken lines showing the base thereof in FIGS. 1-6 are included for illustrative purposes and form no part of the claimed design.

**1 Claim, 4 Drawing Sheets**



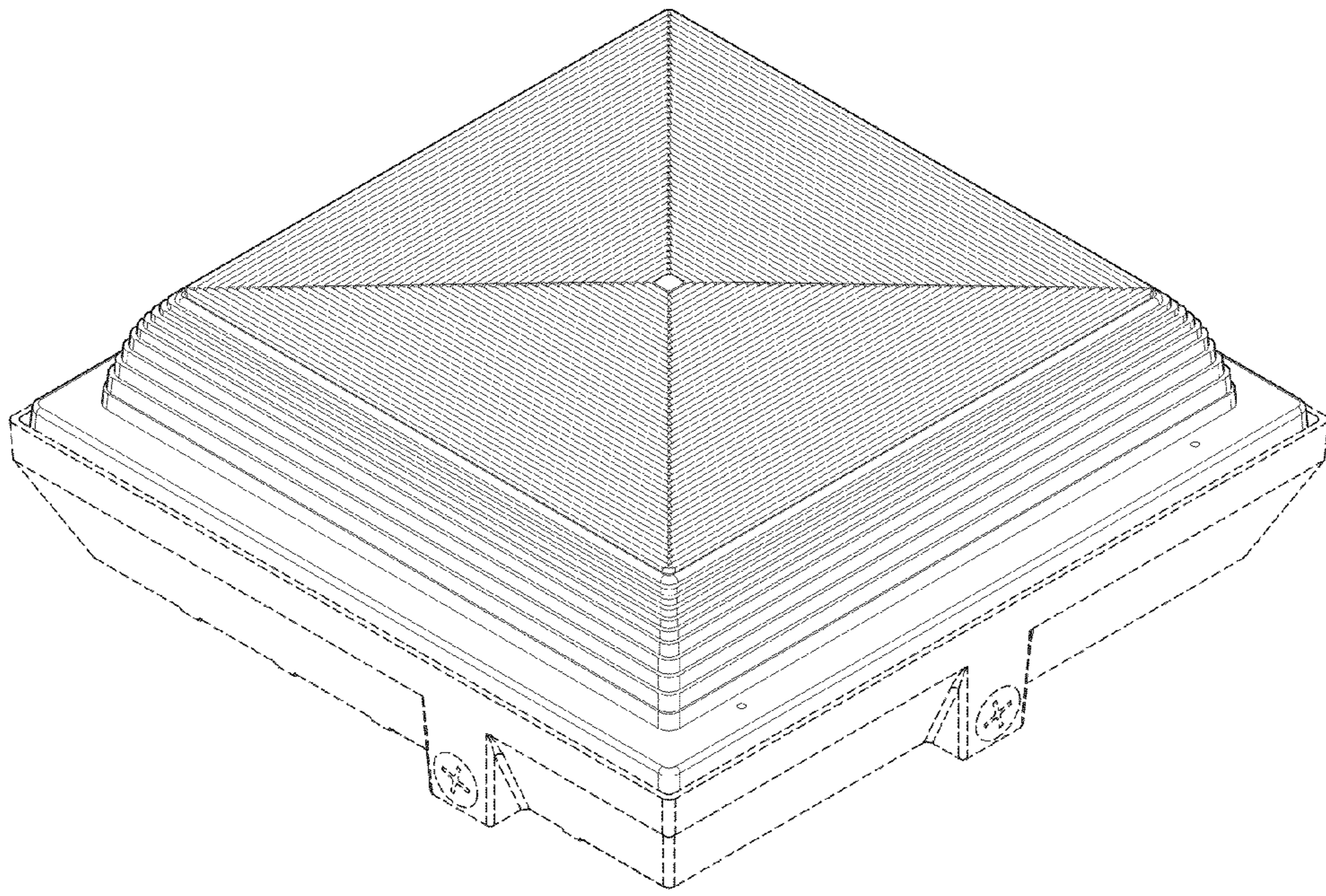


FIG. 1

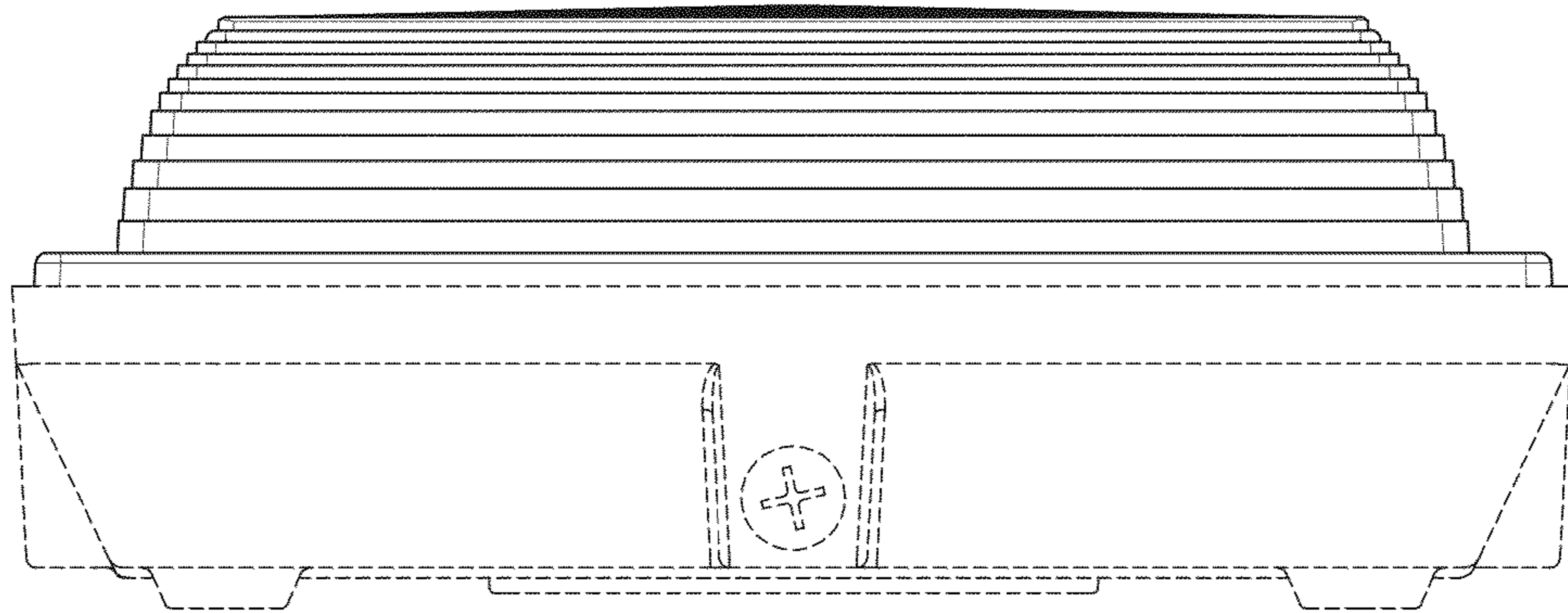


FIG. 2

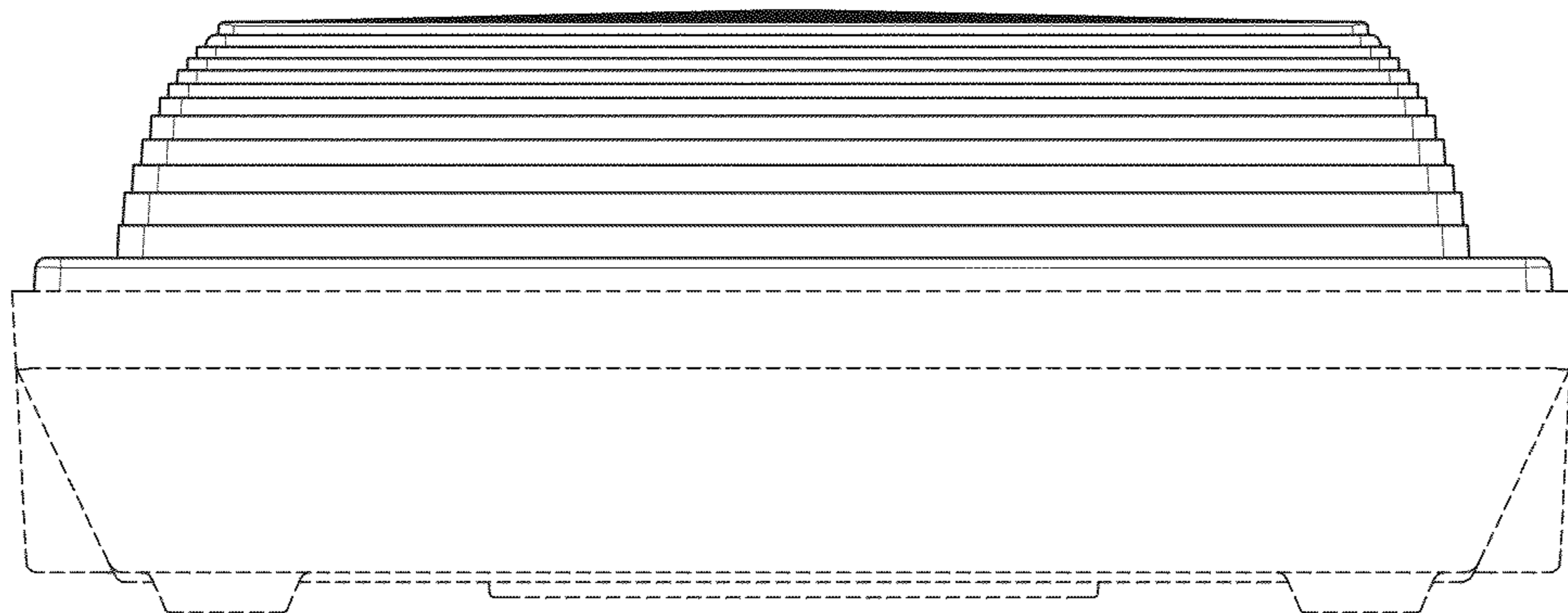


FIG. 3

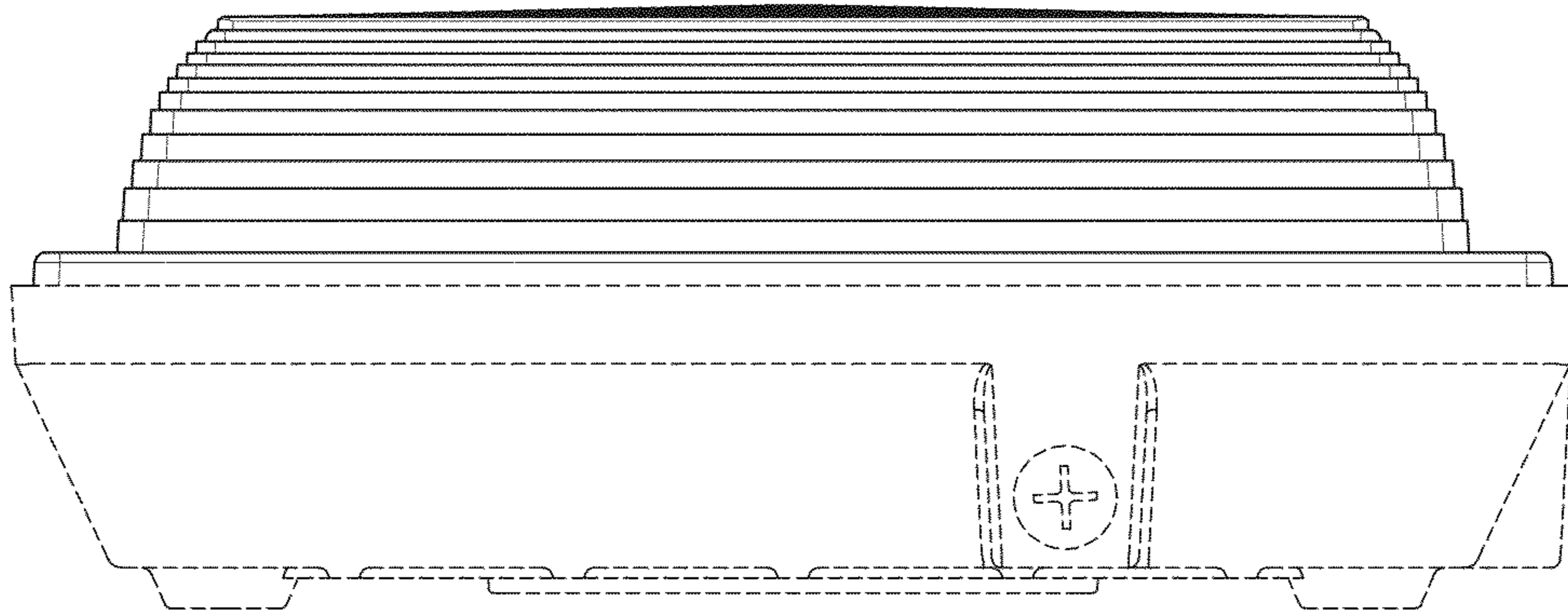


FIG. 4

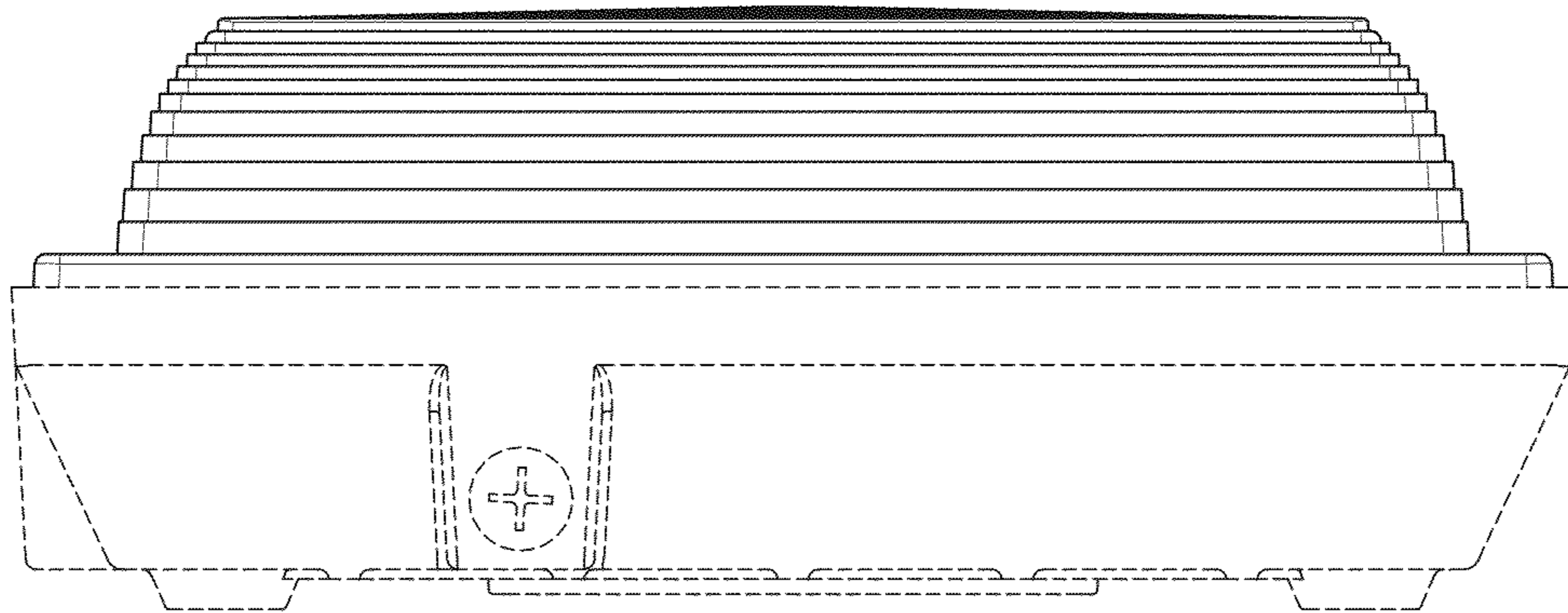


FIG. 5

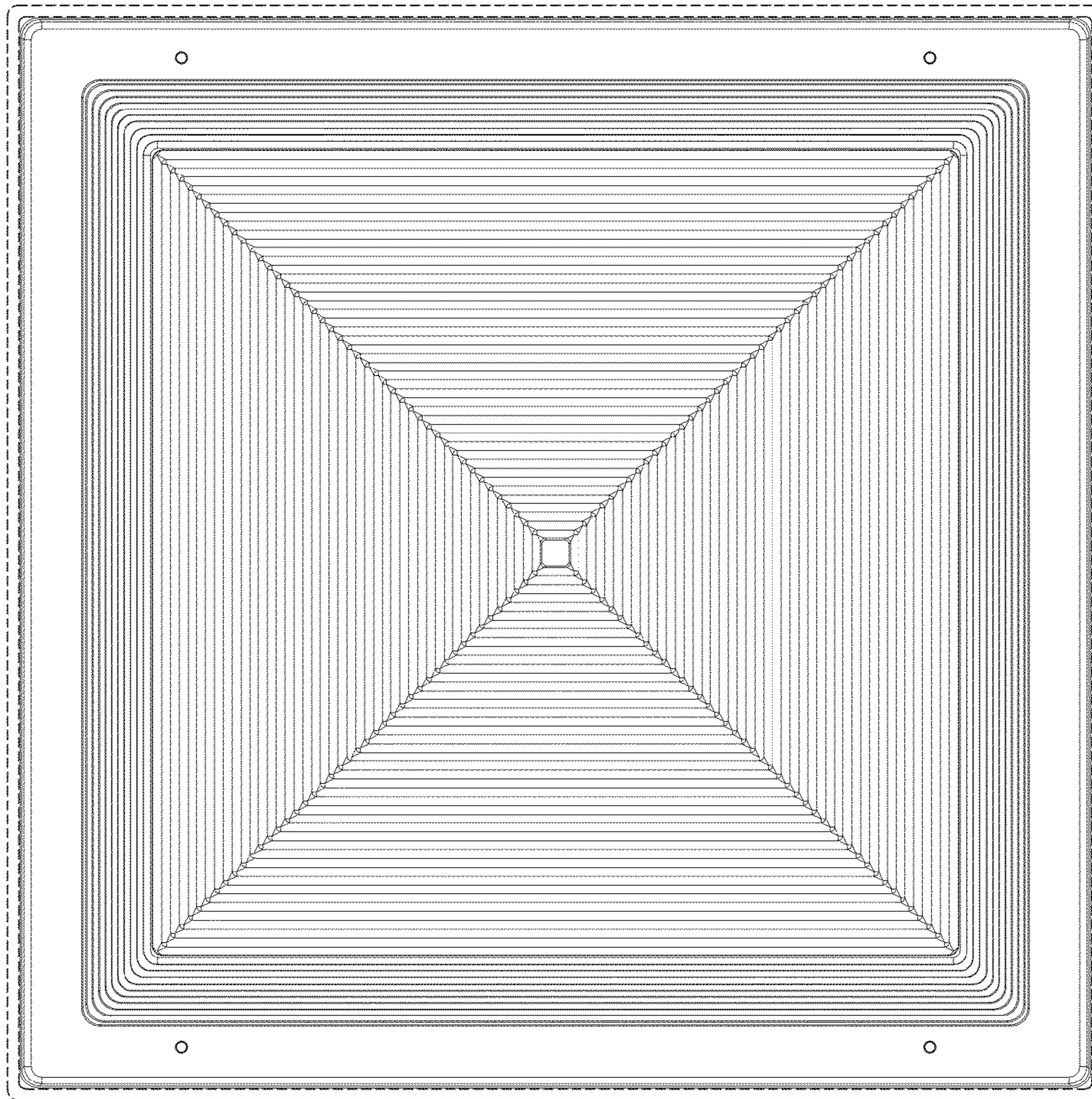


FIG. 6