



US00D742055S

(12) **United States Design Patent**
Marshal

(10) **Patent No.:** **US D742,055 S**
(45) **Date of Patent:** **** Oct. 27, 2015**

- (54) **LED CANOPY LIGHT FIXTURE**
- (71) Applicant: **Madan Marshal**, La Porte, IN (US)
- (72) Inventor: **Madan Marshal**, La Porte, IN (US)
- (**) Term: **14 Years**
- (21) Appl. No.: **29/500,234**
- (22) Filed: **Aug. 22, 2014**
- (51) **LOC (10) Cl.** **26-03**
- (52) **U.S. Cl.**
USPC **D26/89**
- (58) **Field of Classification Search**
USPC D26/72, 85, 89, 118, 120, 128-137
CPC F21S 8/03; F21S 8/033; F21S 8/04;
F21V 3/04; F21V 3/0418; F21V 3/0427;
F21V 3/0436; F21V 3/0445; F21V 21/02;
F21V 21/03; F21V 29/506; F21V 3/049;
F21V 5/045; F21V 7/04; F21V 11/06
See application file for complete search history.

(56) **References Cited**

U.S. PATENT DOCUMENTS

D551,379	S *	9/2007	Maxik	D26/74
D624,686	S *	9/2010	Toney, Jr.	D26/72
8,215,799	B2 *	7/2012	Vanden Eynden	F21V 15/01
					D26/72
8,220,961	B2 *	7/2012	Belknap	F21V 3/00
					362/240
D667,587	S *	9/2012	Wilcox	D26/89
8,382,340	B2 *	2/2013	Boyer	F21S 8/02
					362/147

8,414,164	B2 *	4/2013	Ogawa	F21S 8/043
					362/294
8,465,178	B2 *	6/2013	Wilcox	F21V 19/005
					362/294
D703,861	S *	4/2014	Holland	D26/89
9,022,621	B2 *	5/2015	Boyer	F21V 21/14
					362/362
D734,880	S *	7/2015	Yang	D26/2
9,121,554	*	9/2015	Shimizu	F21K 9/50
					1/1
2008/0278957	A1 *	11/2008	Pickard et al.	F21S 8/02
					362/373

* cited by examiner

Primary Examiner — Clare E Heflin

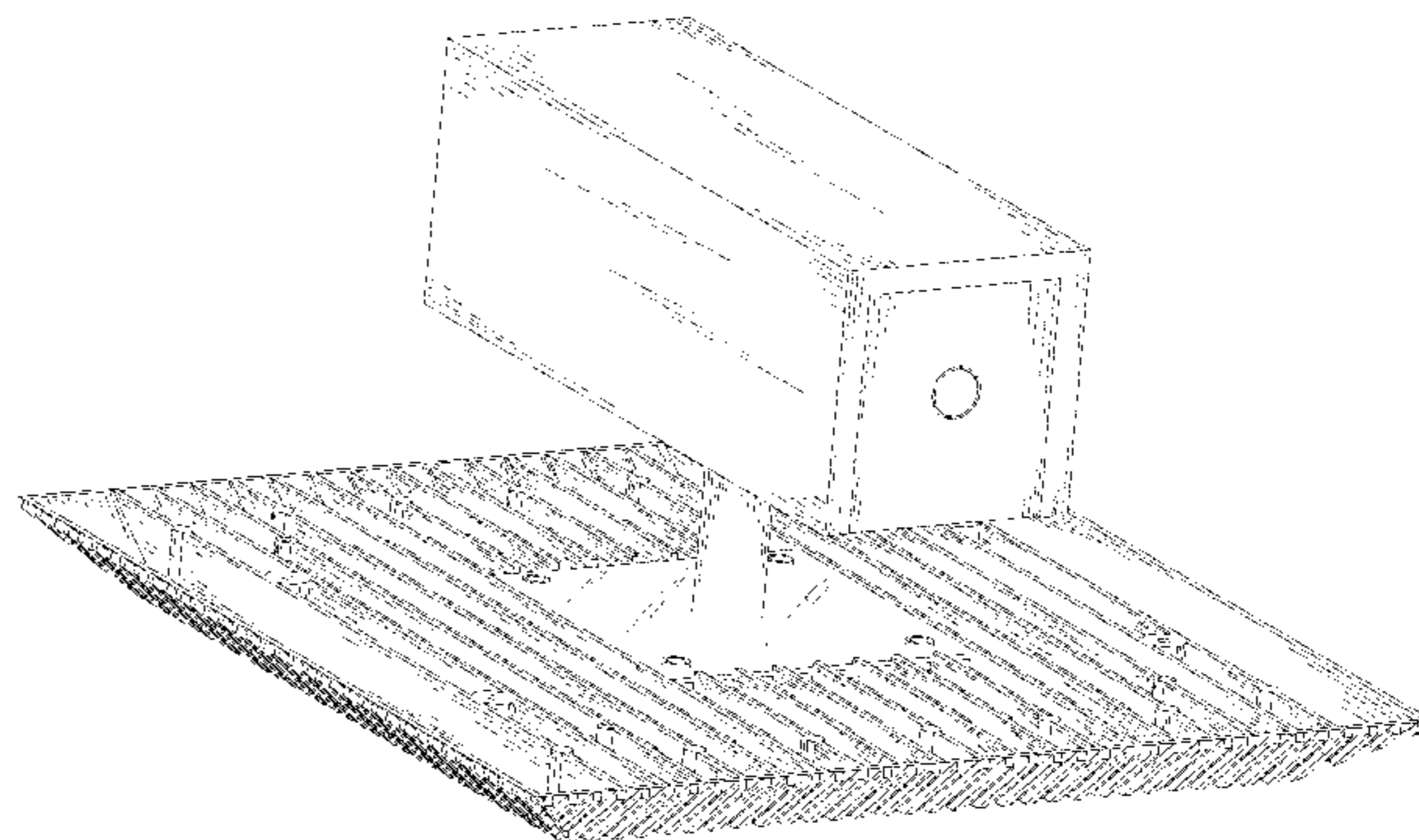
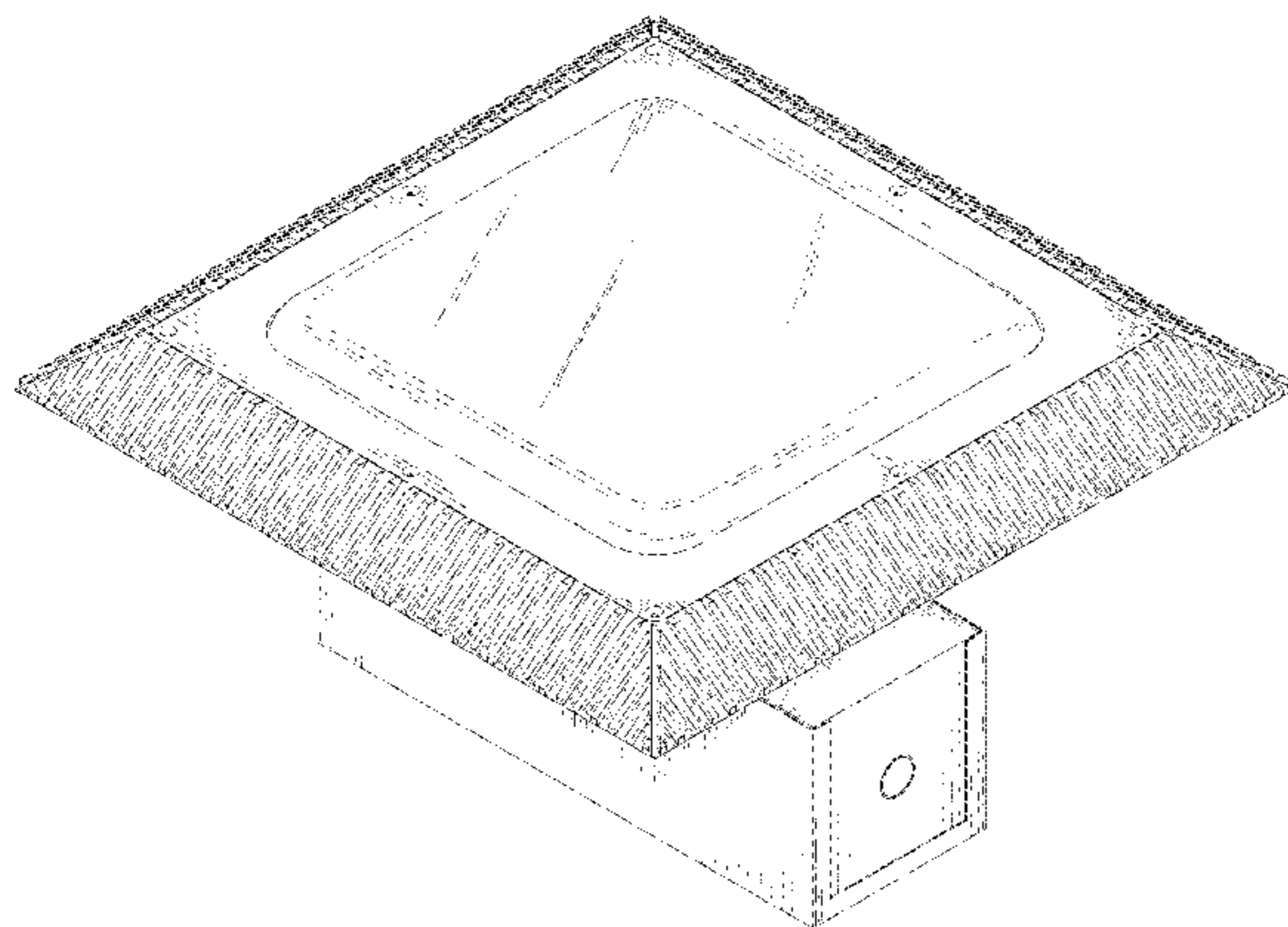
(57) **CLAIM**

The ornamental design for an LED canopy light fixture, as shown and described.

DESCRIPTION

FIG. 1 is a top plan view of an LED canopy light fixture;
 FIG. 2 is a right-side elevational view thereof;
 FIG. 3 is a left-side elevational view thereof;
 FIG. 4 is a front-side elevational view thereof;
 FIG. 5 is a back-side elevational view thereof;
 FIG. 6 is a bottom plan view thereof;
 FIG. 7 is a perspective view of an LED canopy light fixture wherein the top, right, and front sides are displayed;
 FIG. 8 is a perspective view of an LED canopy light fixture wherein the bottom, left, and front sides are displayed; and,
 FIG. 9 is a perspective view of an LED canopy light fixture wherein the bottom, left, and front sides are displayed from a different angle to show features that are not visible in FIG. 8.

1 Claim, 9 Drawing Sheets



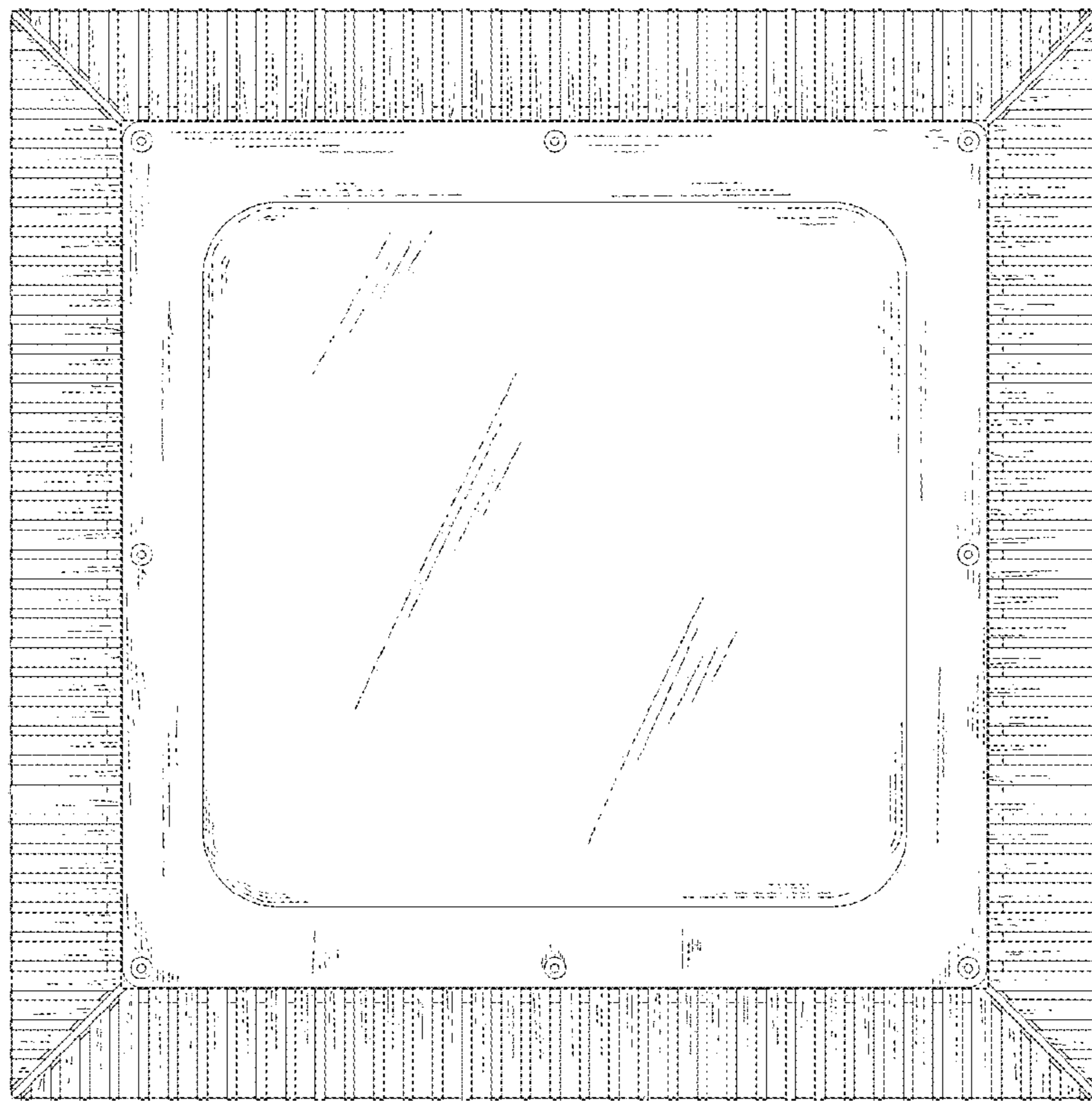


FIG. 1

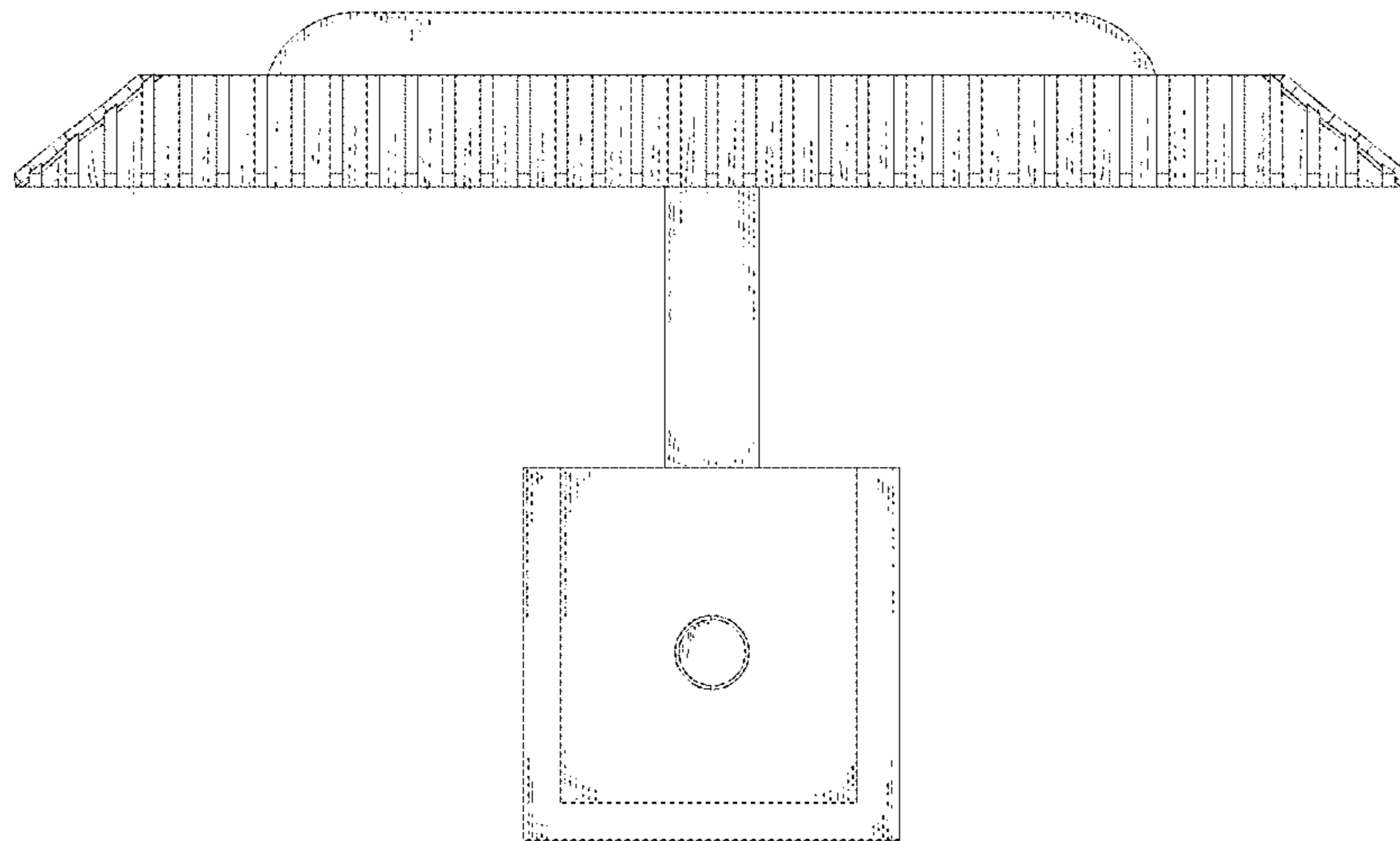


FIG. 2

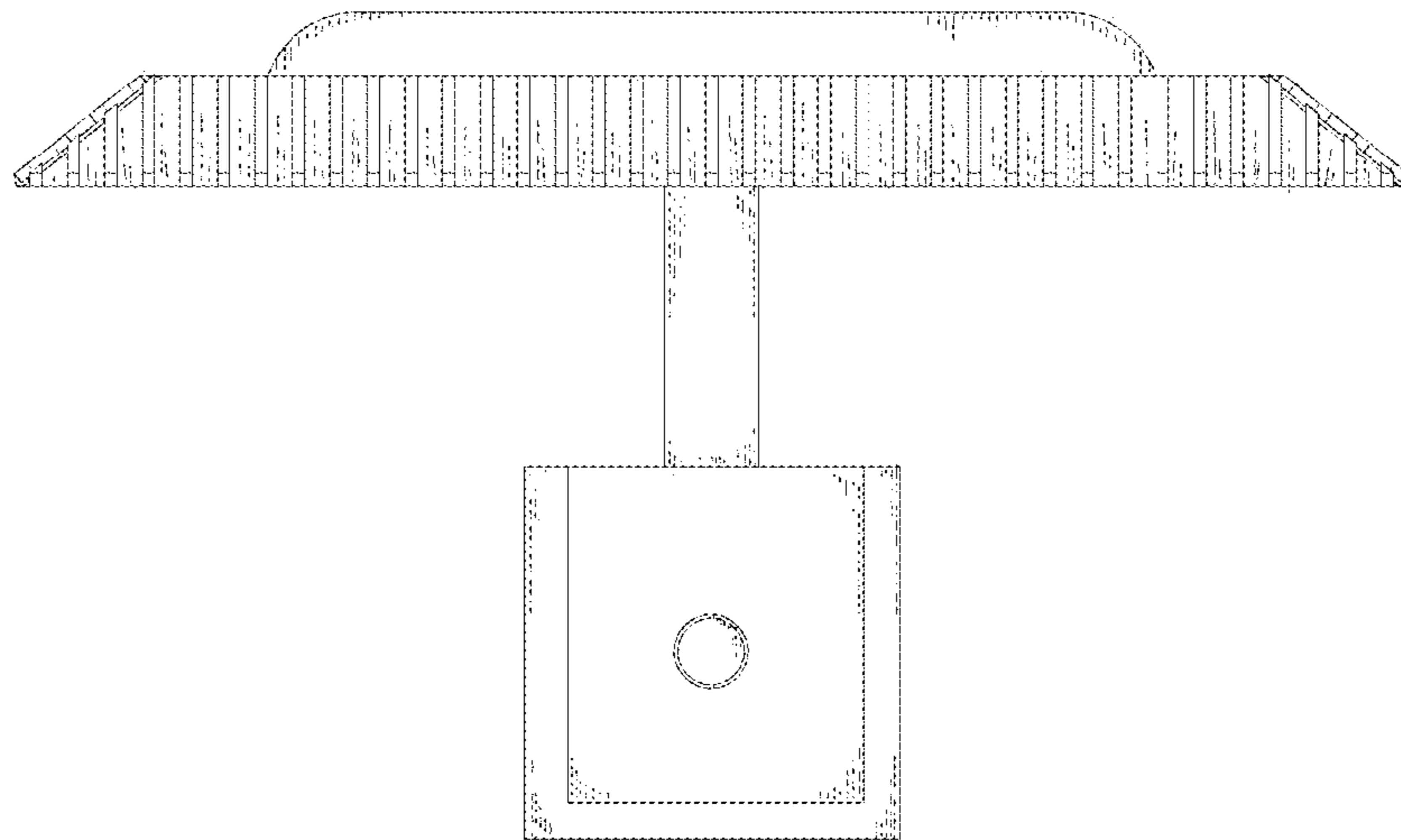


FIG. 3

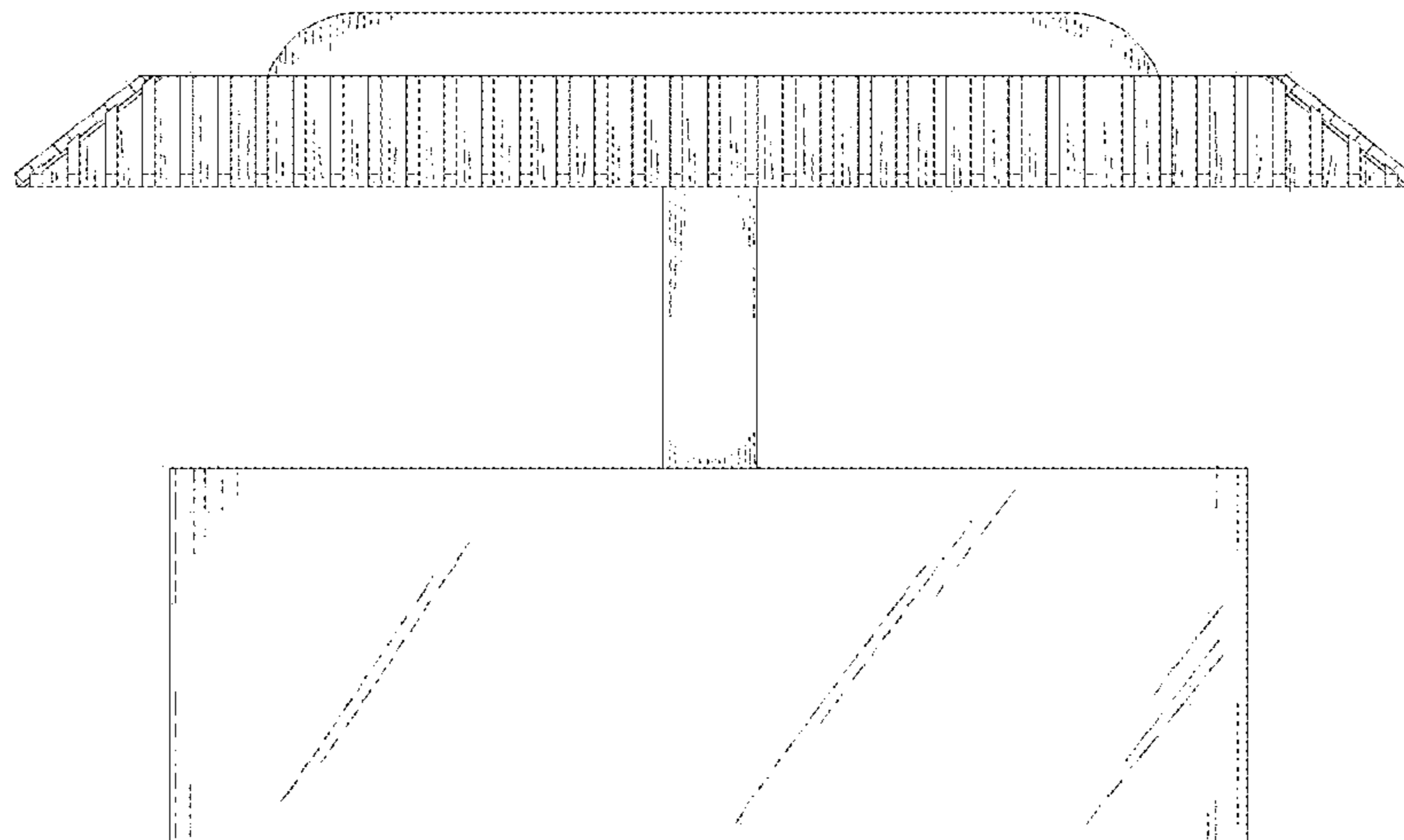


FIG. 4

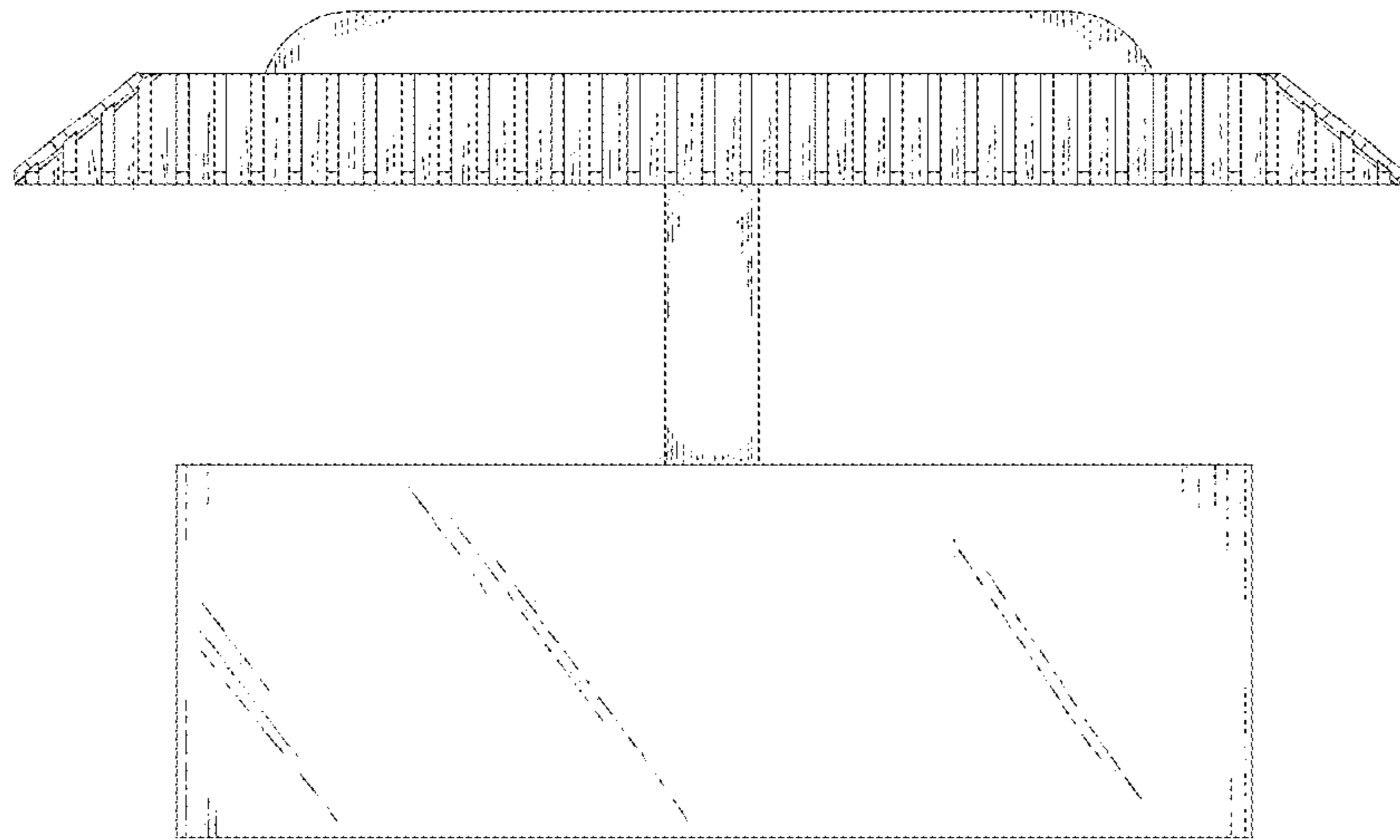


FIG. 5

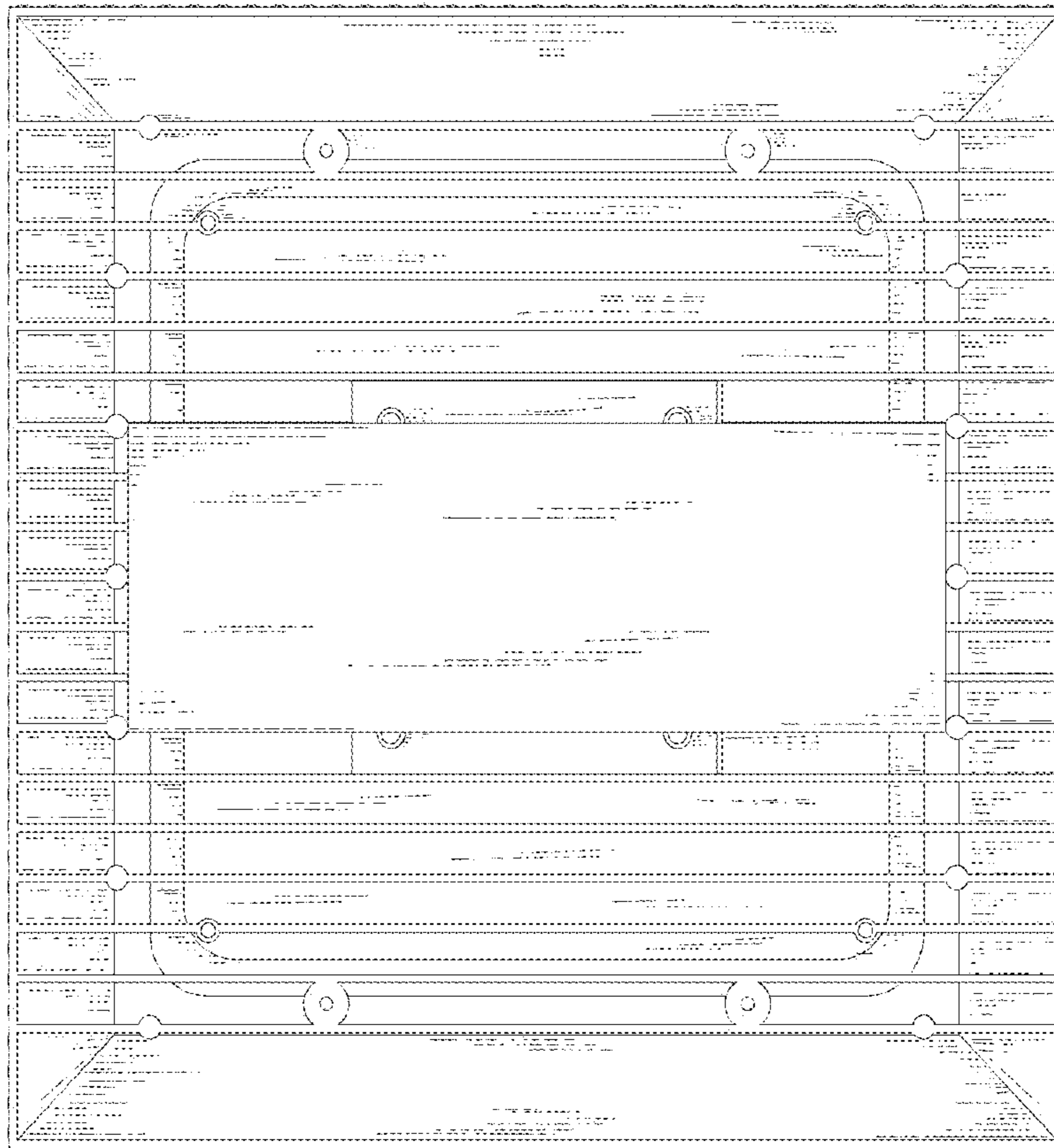


FIG. 6

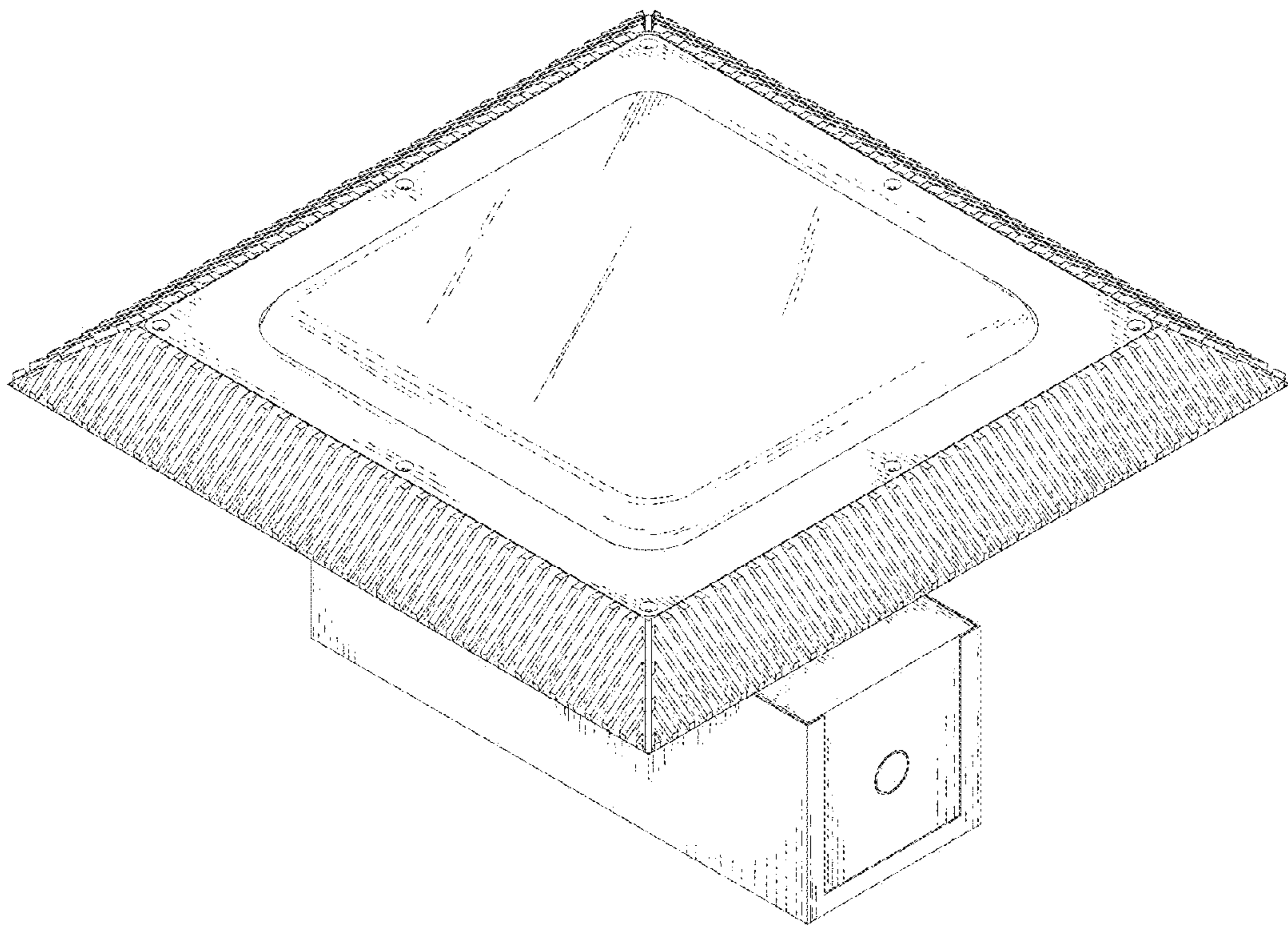


FIG. 7

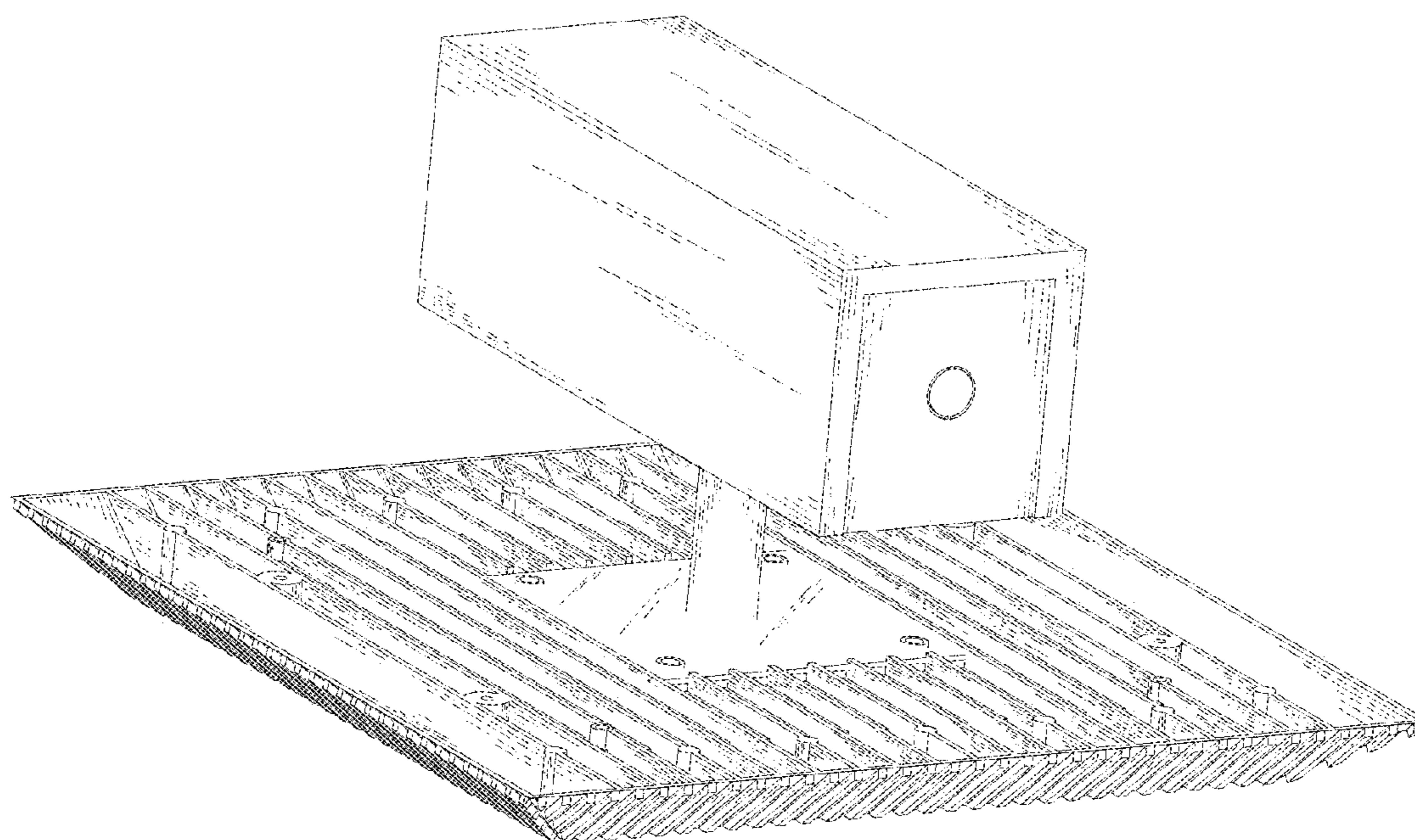


FIG. 8

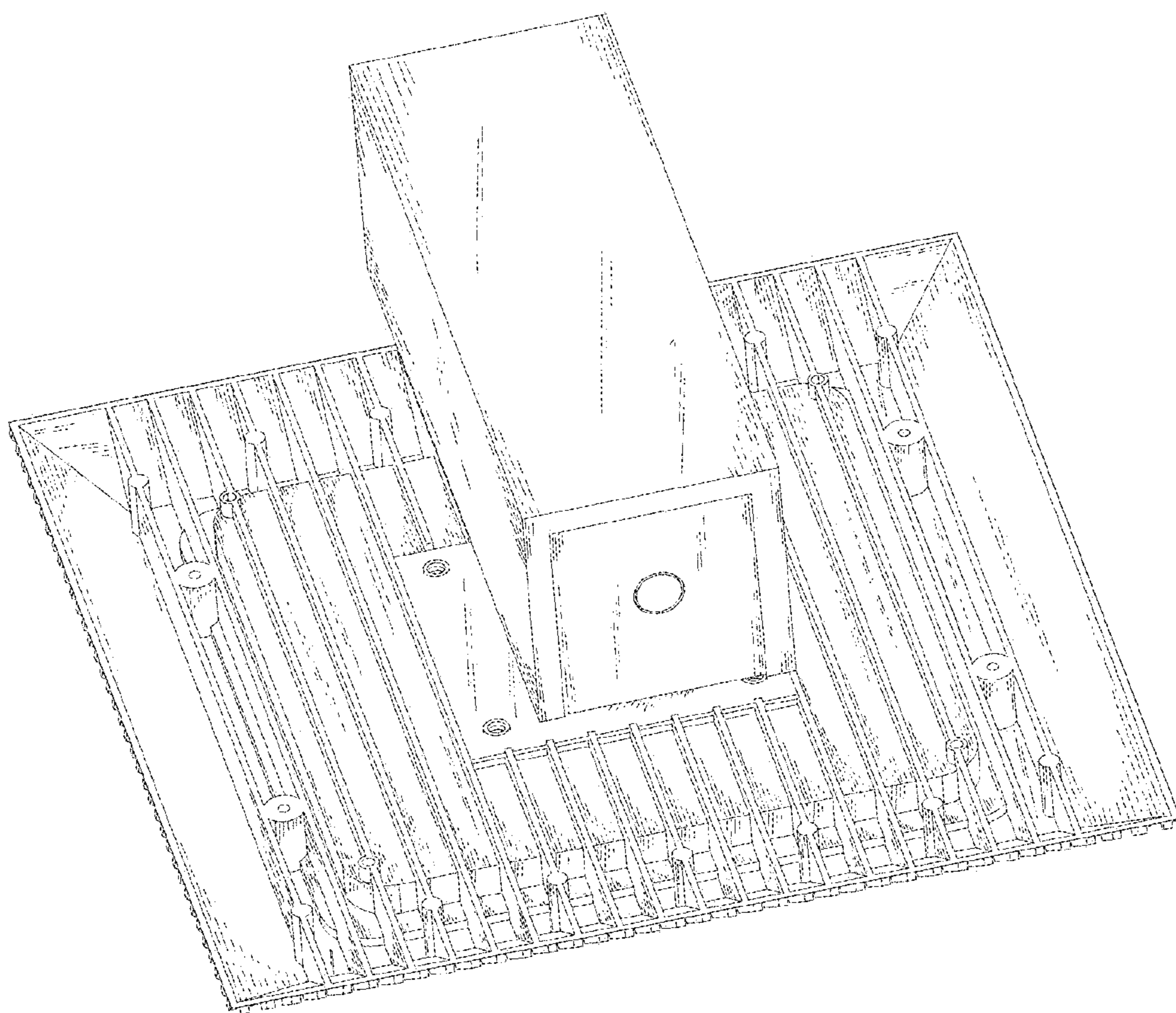


FIG. 9