



US00D742052S

(12) **United States Design Patent**  
**Dorman**

(10) **Patent No.:** **US D742,052 S**  
(45) **Date of Patent:** **\*\* Oct. 27, 2015**

(54) **LANTERN**

(71) Applicant: **Milwaukee Electric Tool Corporation,**  
Brookfield, WI (US)

(72) Inventor: **Justin D. Dorman,** Wauwatosa, WI (US)

(73) Assignee: **Milwaukee Electric Tool Corporation,**  
Brookfield, WI (US)

(\*\*) Term: **14 Years**

(21) Appl. No.: **29/483,235**

(22) Filed: **Feb. 26, 2014**

(51) **LOC (10) Cl.** ..... **26-02**

(52) **U.S. Cl.**  
USPC ..... **D26/40**

(58) **Field of Classification Search**  
USPC ..... D26/37, 38, 40, 41, 42, 49, 51, 60, 113;  
362/157, 158, 183, 184, 194-196,  
362/200-208, 253  
CPC ..... F21V 33/00; F21V 14/025; F21V 21/406;  
F21Y 2101/02; F21L 17/00; F21L 13/08  
See application file for complete search history.

(56) **References Cited**

**U.S. PATENT DOCUMENTS**

4,483,683	A	11/1984	Alley, Sr.	
5,688,042	A	11/1997	Madadi et al.	
D441,888	S *	5/2001	Haneda et al.	D26/42
6,877,876	B1	4/2005	Steinhilber	
D535,419	S *	1/2007	Shiu	D26/40
D537,968	S *	3/2007	Shiu	D26/40

(Continued)

**OTHER PUBLICATIONS**

Fox Fury Lighting Solutions, "Nomad 360 Portable Scene Light"  
<[http://www.foxfury.com/catalog/product\\_info.php?products\\_id=194](http://www.foxfury.com/catalog/product_info.php?products_id=194)> webpage available as early as Jul. 28, 2012.

*Primary Examiner* — Ian Simmons

*Assistant Examiner* — Carissa C Fitts

(74) *Attorney, Agent, or Firm* — Michael Best & Friedrich LLP

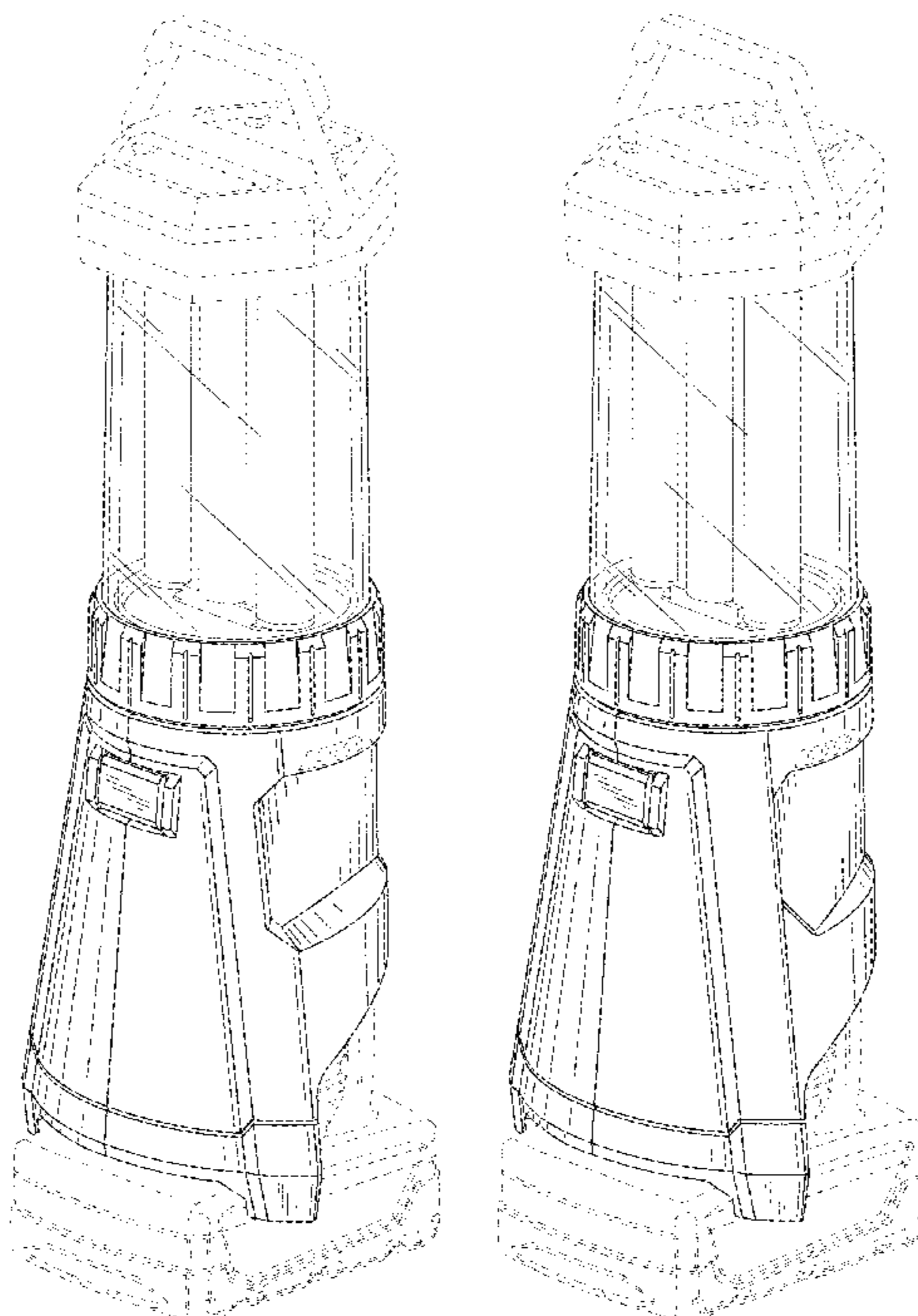
(57) **CLAIM**

I claim the ornamental design for a lantern, as shown and described.

**DESCRIPTION**

FIG. 1 is a front perspective view of a lantern in accordance with a first embodiment of the present invention. FIG. 2 is a left side view of the lantern of FIG. 1. FIG. 3 is a right side view of the lantern of FIG. 1. FIG. 4 is a front view of the lantern of FIG. 1. FIG. 5 is a rear view of the lantern of FIG. 1. FIG. 6 is a top view of the lantern of FIG. 1. FIG. 7 is a bottom view of the lantern of FIG. 1. FIG. 8 is a front perspective view of a lantern in accordance with a second embodiment of the present invention. FIG. 9 is a left side view of the lantern of FIG. 8. FIG. 10 is a right side view of the lantern of FIG. 8. FIG. 11 is a front view of the lantern of FIG. 8. FIG. 12 is a rear view of the lantern of FIG. 8. FIG. 13 is a top view of the lantern of FIG. 8; and, FIG. 14 is a bottom view of the lantern of FIG. 8. The broken line showing represents unclaimed portions of the Lantern and forms no part of the claimed design.

**1 Claim, 8 Drawing Sheets**



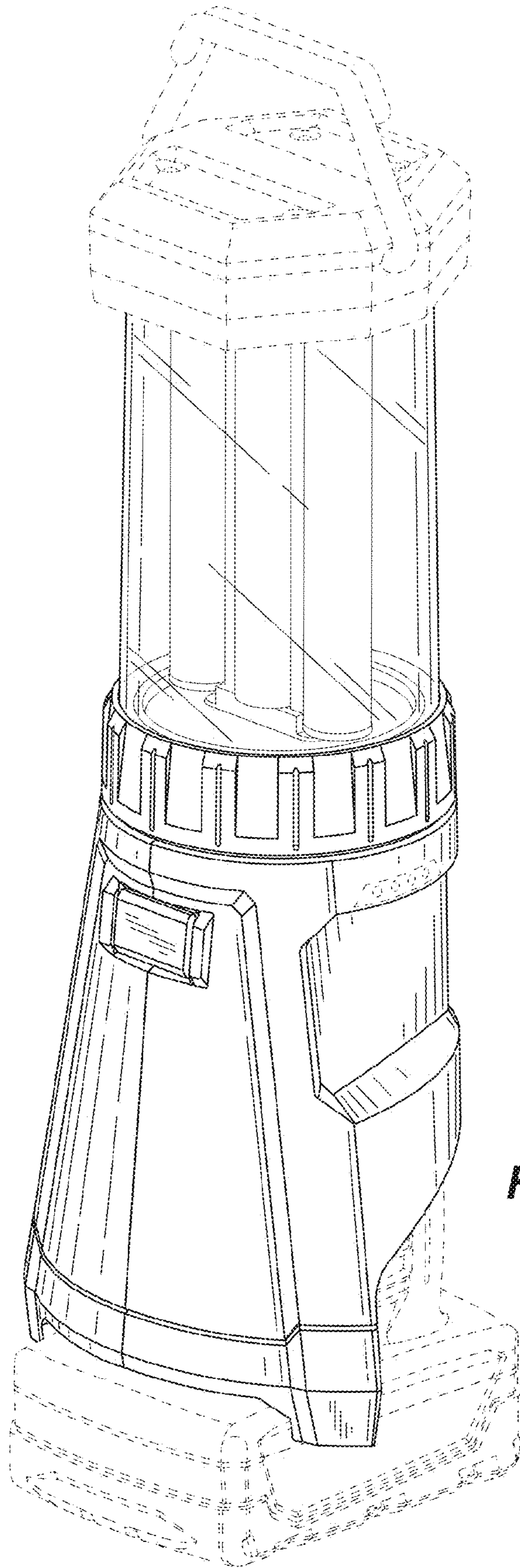
(56)

**References Cited**

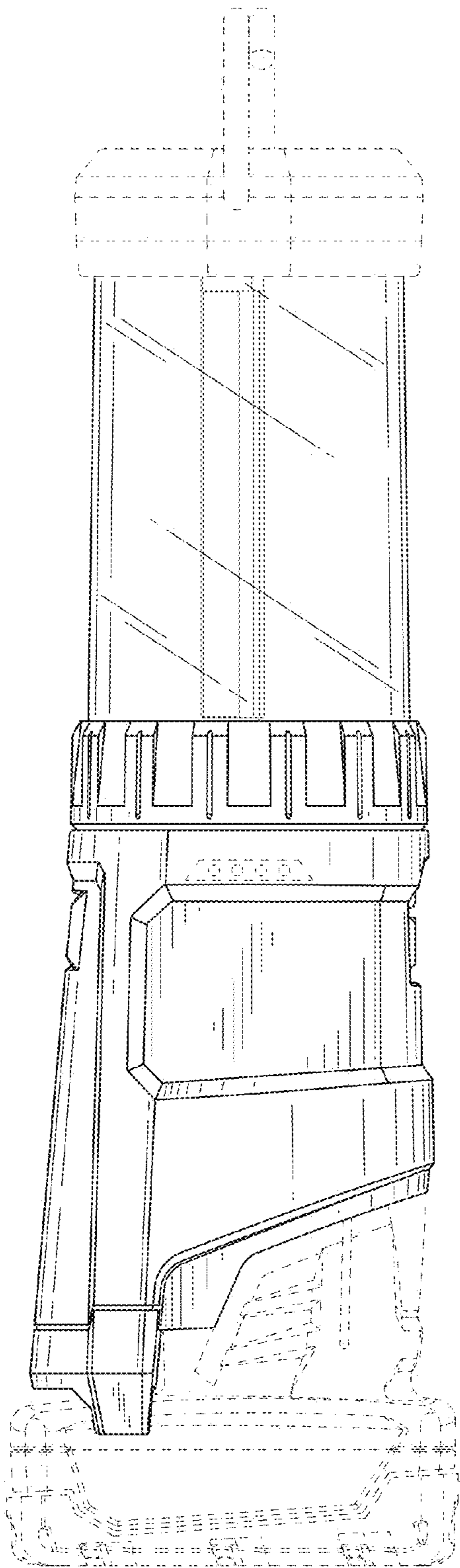
U.S. PATENT DOCUMENTS

D546,488 S *	7/2007	Poon	.....	D26/40	D655,431 S *	3/2012	Leen	.....	D26/42
7,311,423 B2	12/2007	Frecska et al.			D658,324 S *	4/2012	Reimann et al.	.....	D26/40
D559,418 S *	1/2008	Poon	.....	D26/40	8,201,974 B1	6/2012	Smith et al.		
D610,283 S *	2/2010	Loibl	.....	D26/40	8,337,059 B2	12/2012	Barnett et al.		
7,699,491 B2	4/2010	Sharrah et al.			8,485,683 B2	7/2013	Popper et al.		
7,717,586 B2	5/2010	Tucker			8,511,847 B2	8/2013	Sharrah et al.		
D621,536 S *	8/2010	Lee	.....	D26/41	8,641,241 B2	2/2014	Farmer		
D622,430 S *	8/2010	Chilton	.....	D26/41	8,674,266 B2	3/2014	Fis-Menache		
7,891,841 B2	2/2011	Levine			D707,378 S *	6/2014	Shiu	.....	D26/41
7,967,466 B2	6/2011	Chu			8,791,640 B2	7/2014	Steele et al.		
8,029,159 B2	10/2011	Chen			D725,300 S *	3/2015	Dalton	.....	D26/40
8,075,163 B2	12/2011	Xiao et al.			D726,354 S *	4/2015	Davies	.....	D26/37
8,096,684 B2	1/2012	Salm et al.			2012/0057333 A1	3/2012	Bhardwaj et al.		
					2012/0079755 A1	4/2012	Torres et al.		
					2014/0204218 A1	7/2014	Gebhard et al.		

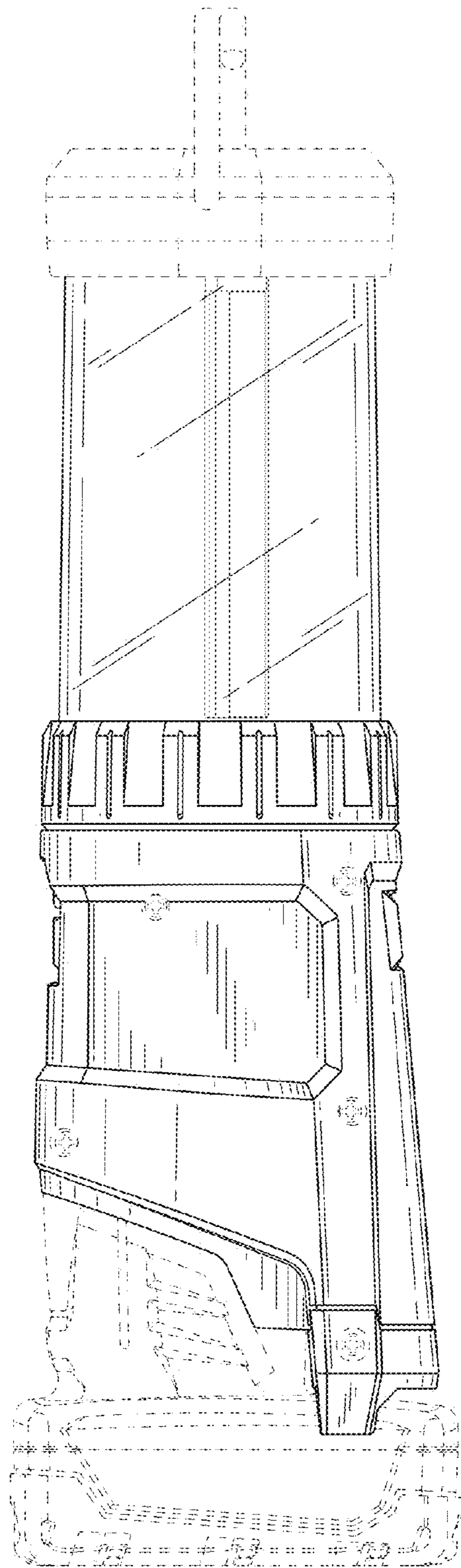
\* cited by examiner



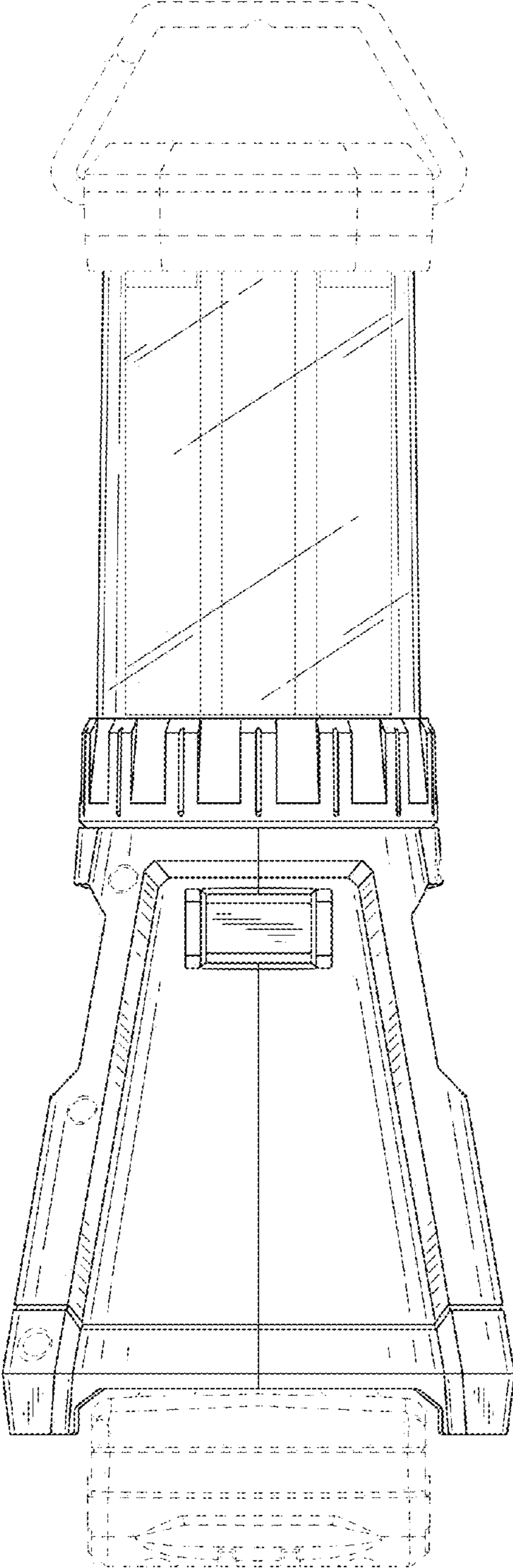
**FIG. 1**



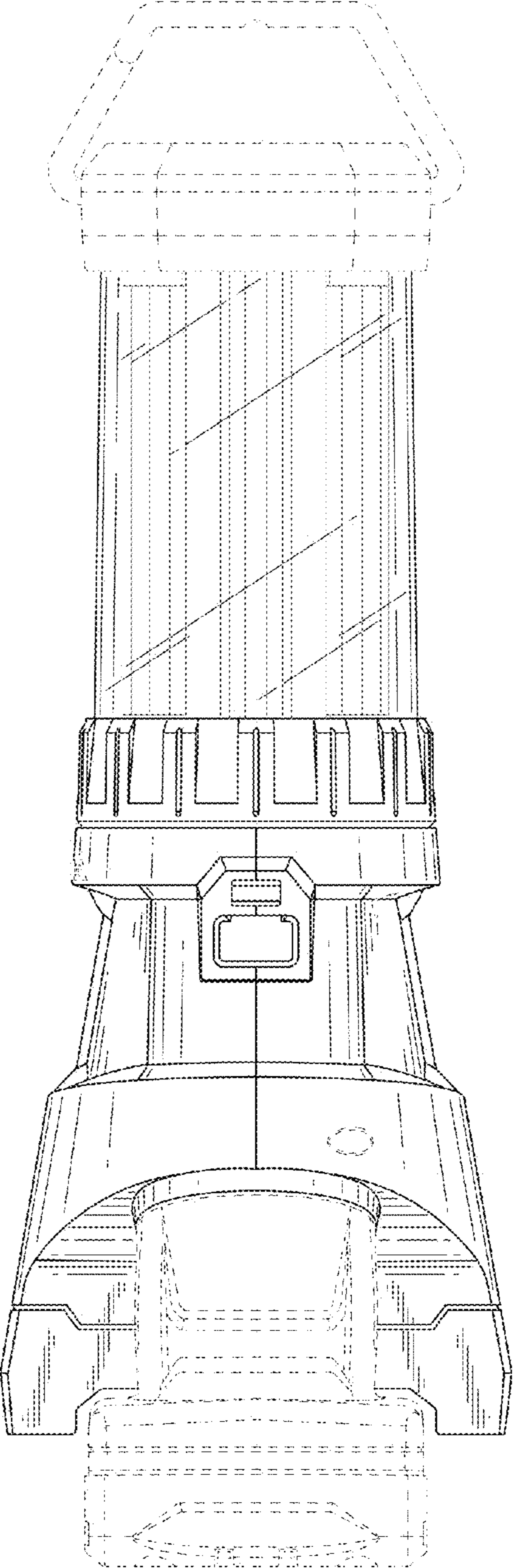
**FIG. 2**



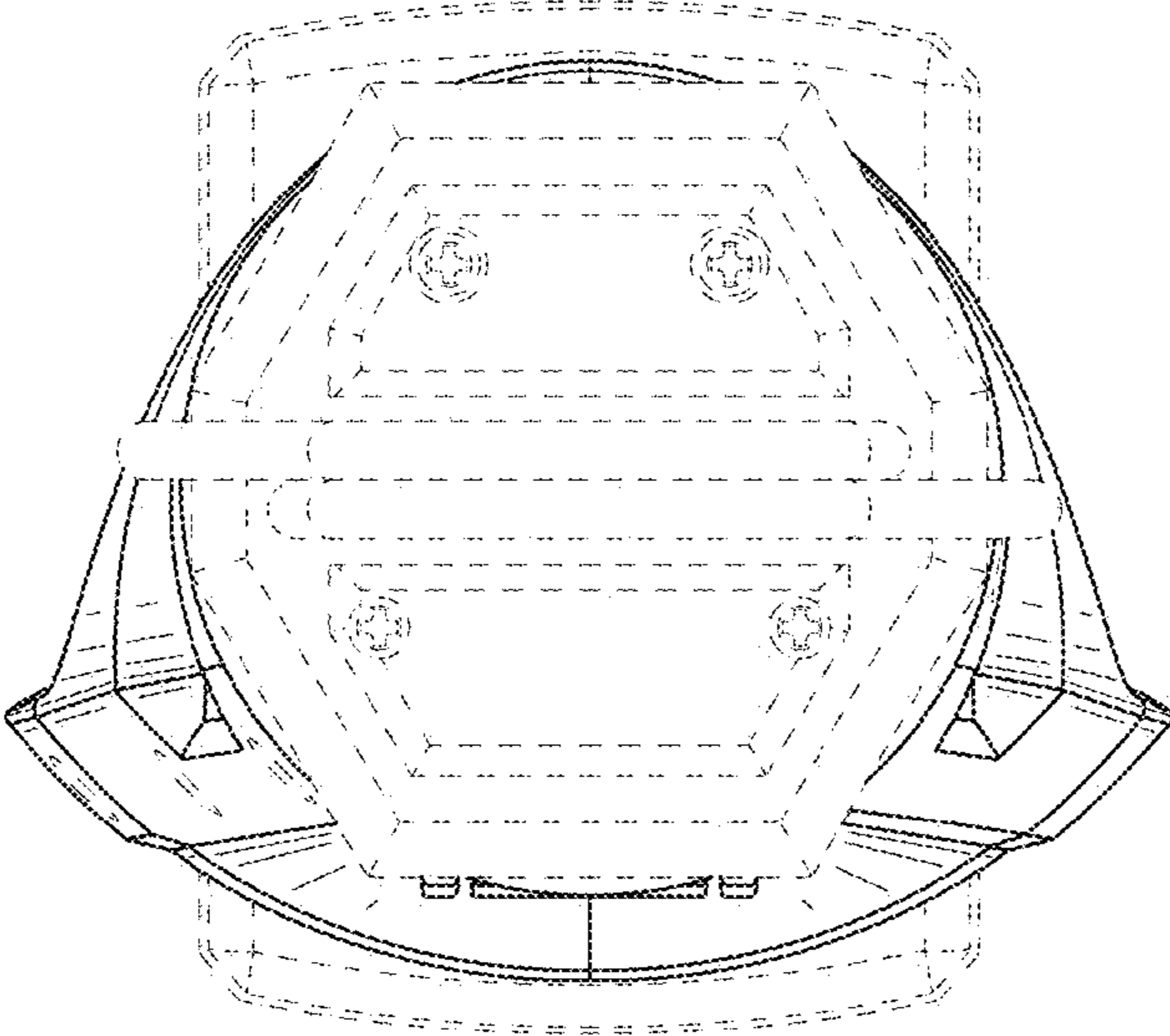
**FIG. 3**



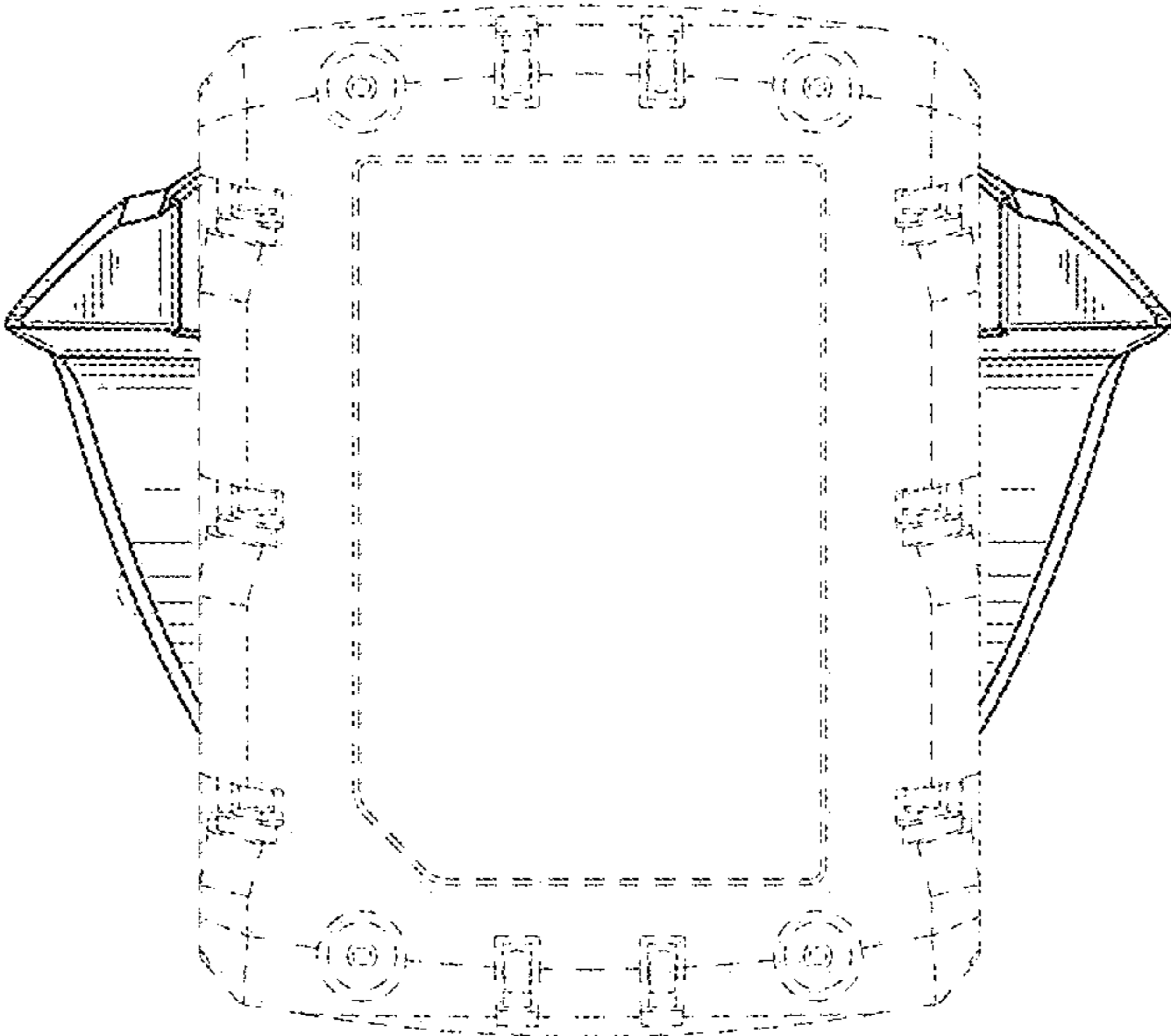
**FIG. 4**



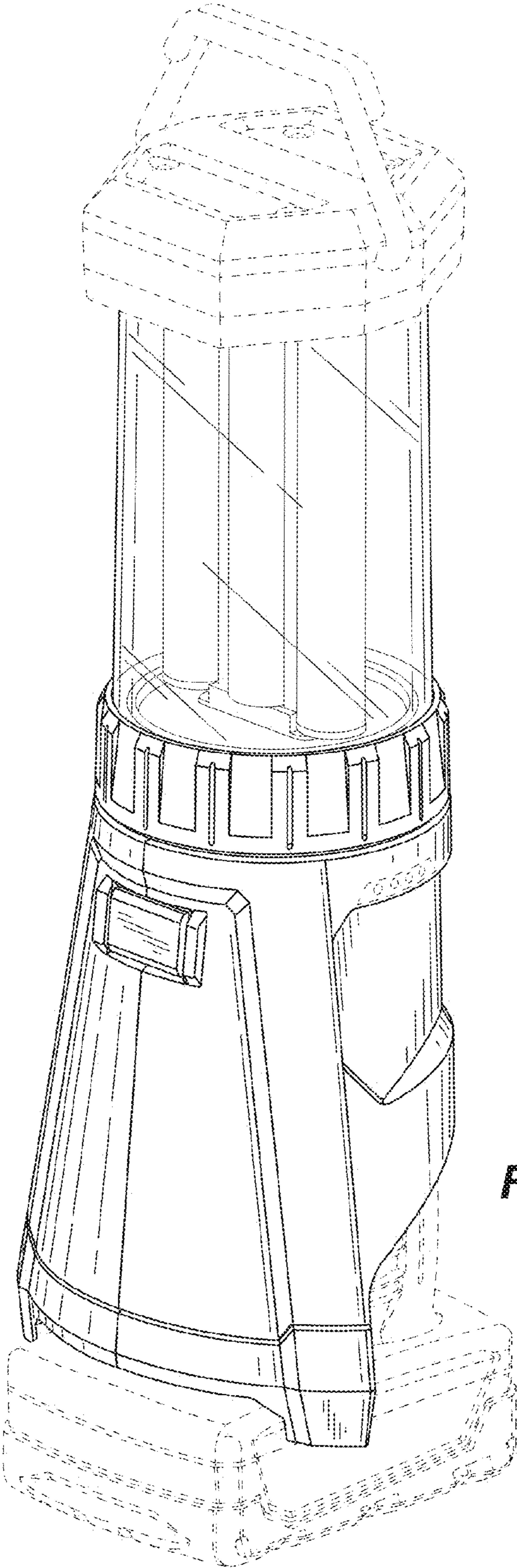
**FIG. 5**



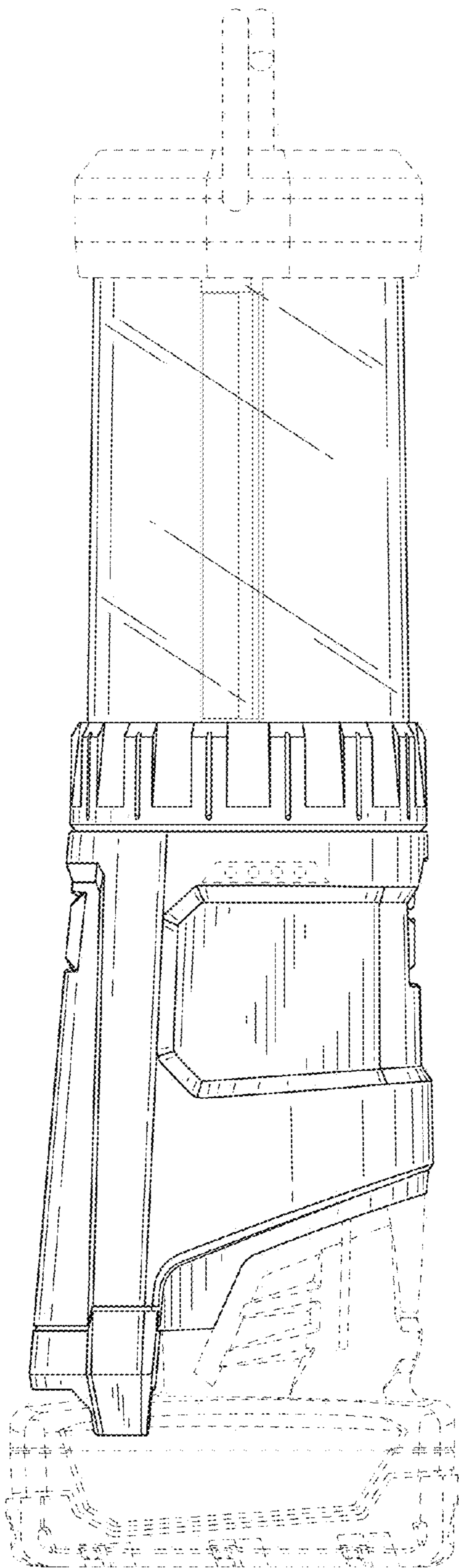
**FIG. 6**



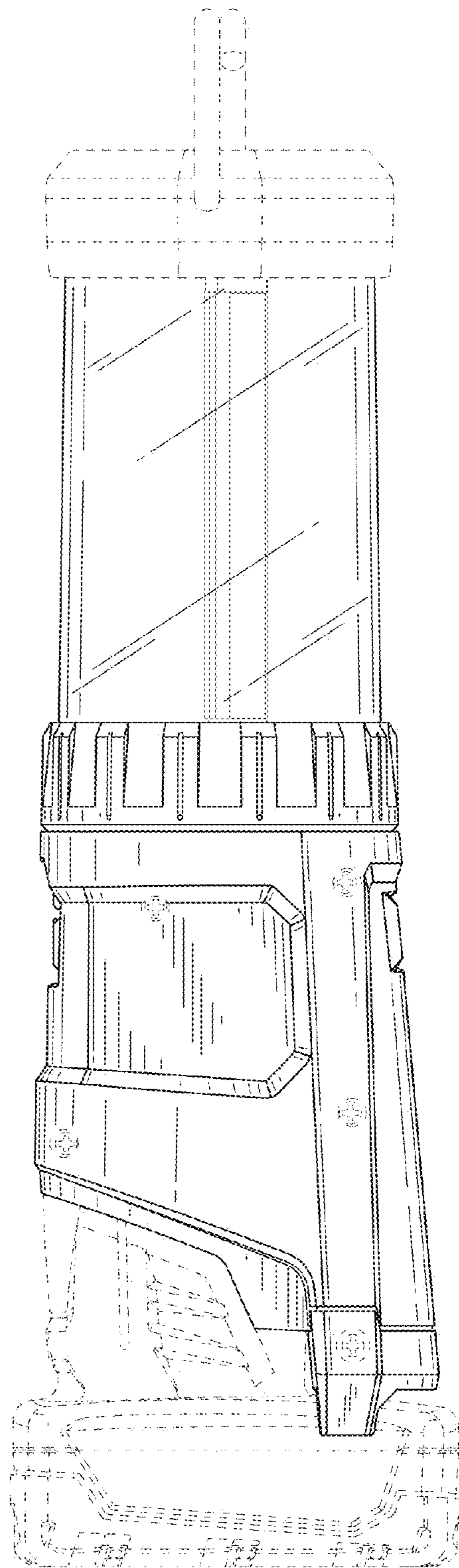
**FIG. 7**



**FIG. 8**

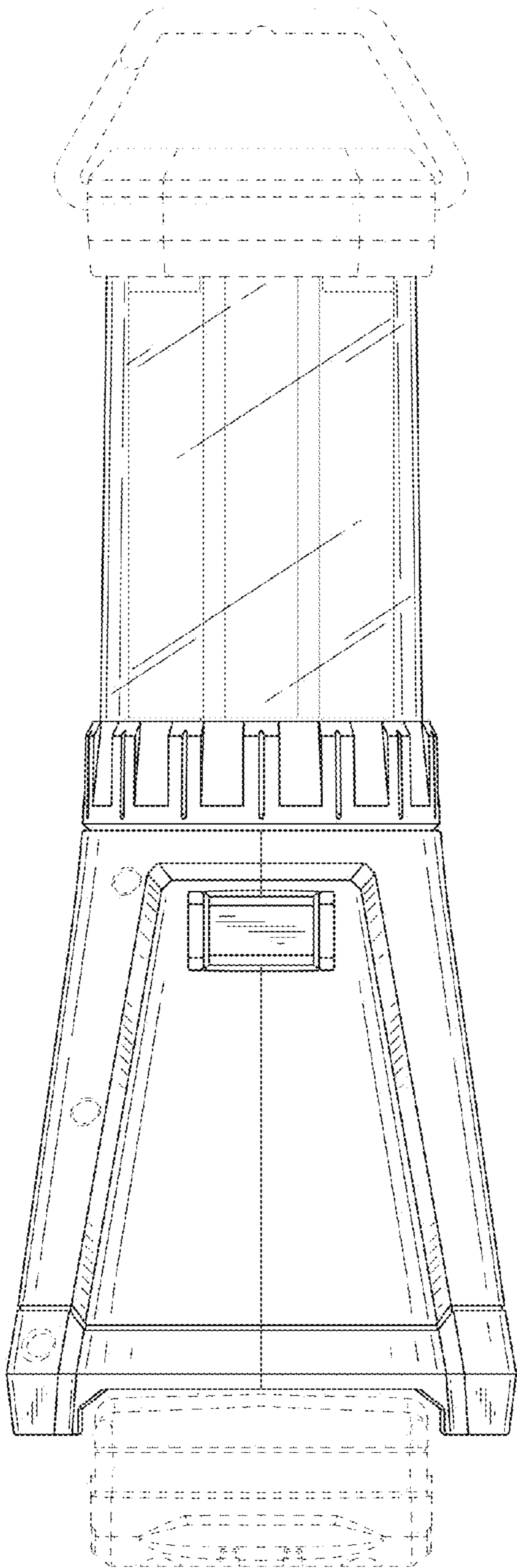


**FIG. 9**

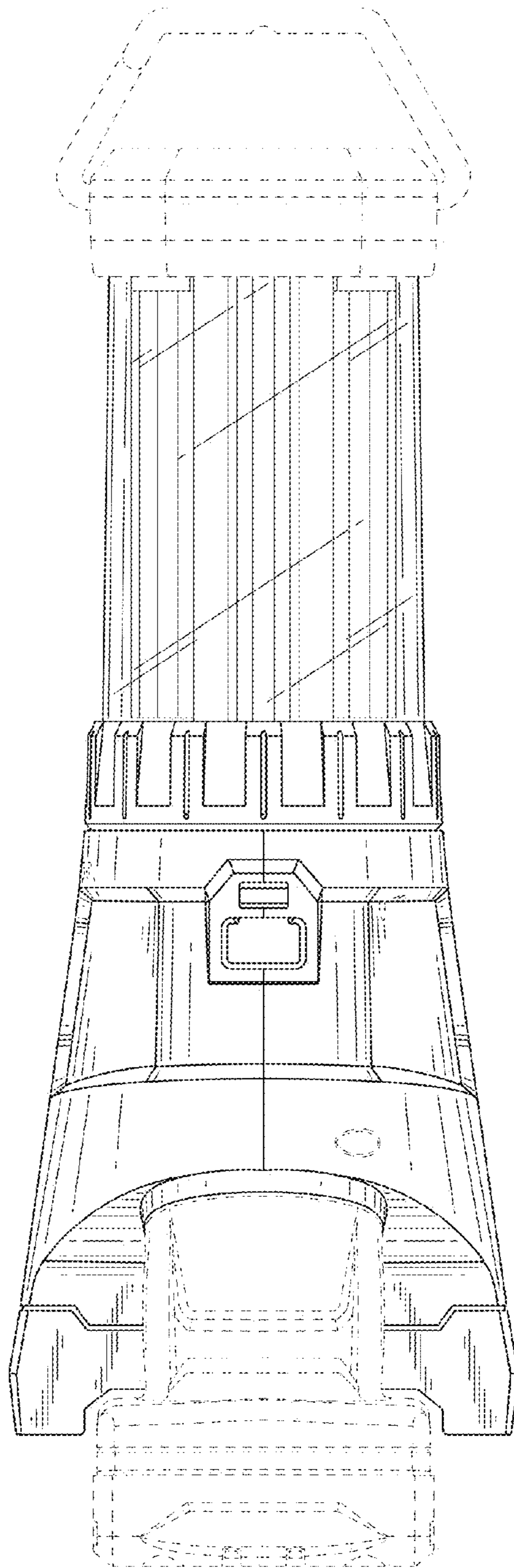


**FIG. 10**

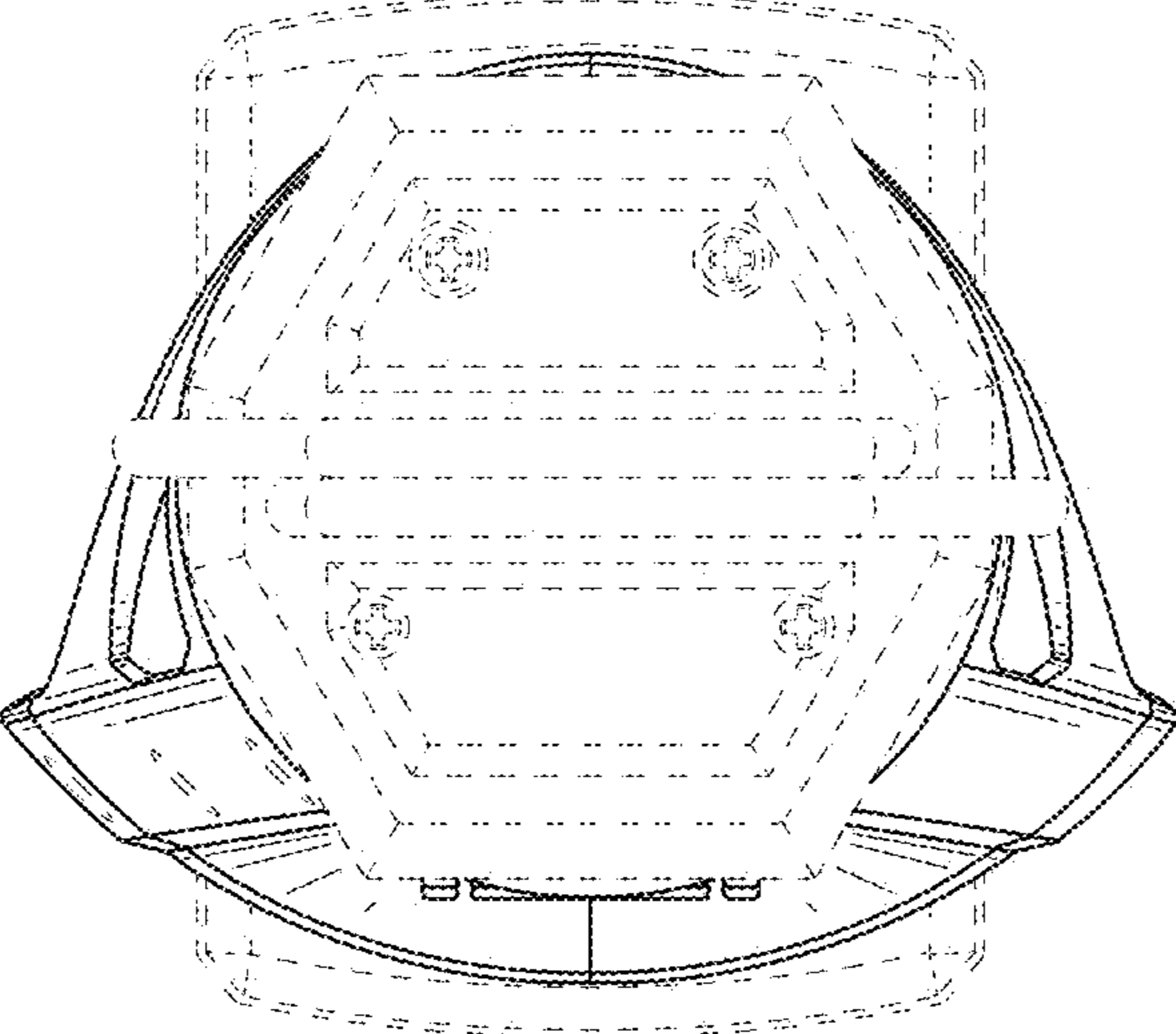




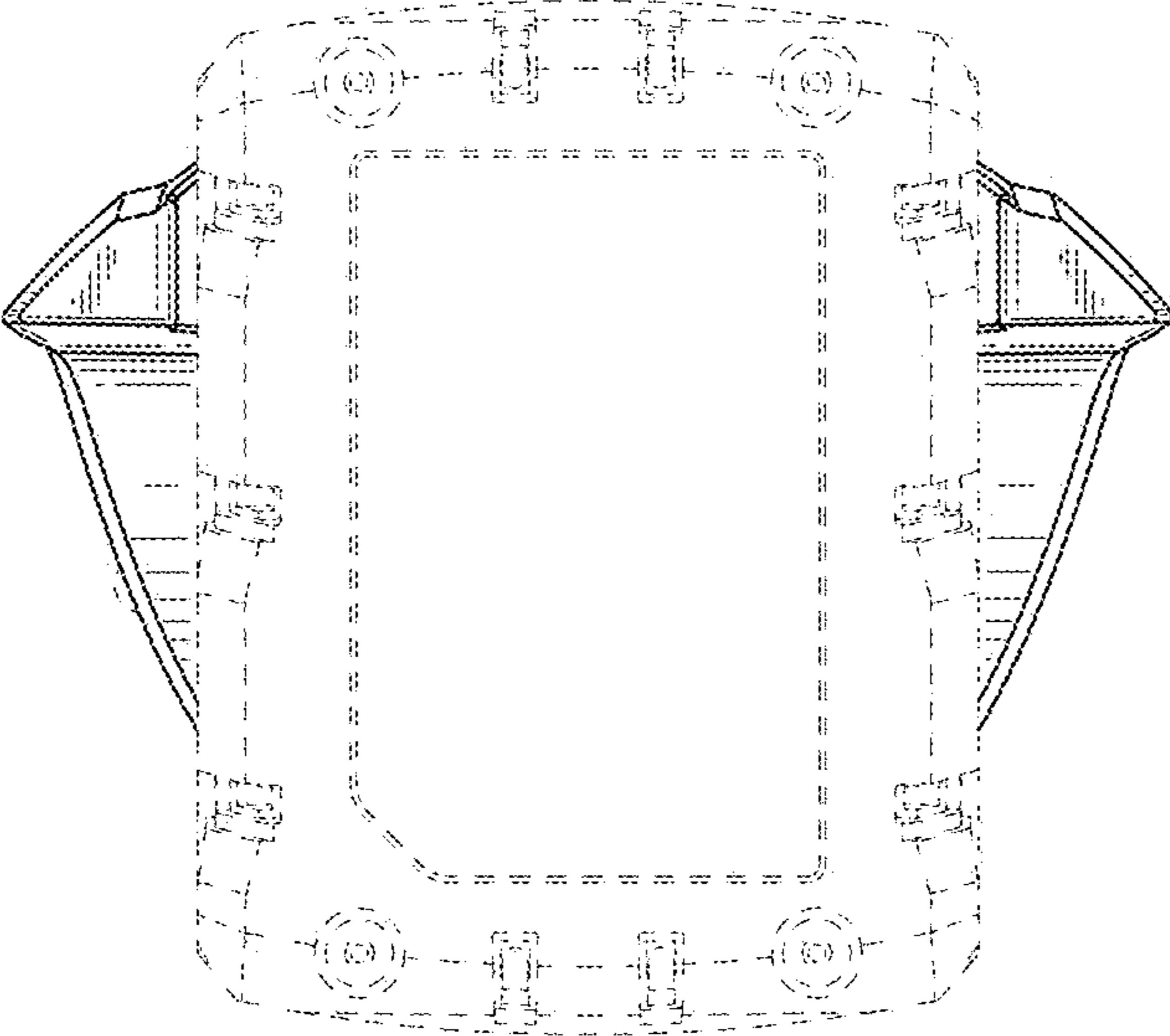
**FIG. 11**



**FIG. 12**



**FIG. 13**



**FIG. 14**