



US00D742051S

(12) **United States Design Patent**
Abernethy

(10) **Patent No.:** **US D742,051 S**

(45) **Date of Patent:** **** Oct. 27, 2015**

(54) **LIGHTING DEVICE**

(71) Applicant: **Energizer Brands, LLC**, St. Louis, MO
(US)

(72) Inventor: **Todd B. Abernethy**, Skaneateles, NY
(US)

(73) Assignee: **Energizer Brands, LLC**, Saint Louis,
MO (US)

(**) Term: **14 Years**

(21) Appl. No.: **29/486,362**

(22) Filed: **Mar. 28, 2014**

(51) **LOC (10) Cl.** **26-02**

(52) **U.S. Cl.**
USPC **D26/39**

(58) **Field of Classification Search**
USPC D26/37, 40, 41, 44, 46, 49, 39;
362/157, 158, 183, 184, 194-196,
362/200-208, 103, 105, 106
CPC F21V 33/00; F21V 14/025; F21V 21/406;
F21Y 2101/02; F21L 2003/00; F21L 2005/00;
F21L 2/00; F21L 4/00; F21L 4/005; F21L
17/00; F21L 13/08

See application file for complete search history.

(56) **References Cited**

U.S. PATENT DOCUMENTS

6,955,444	B2 *	10/2005	Gupta	362/105
D527,127	S *	8/2006	Petzl	D26/39
D552,278	S *	10/2007	Spartano et al.	D26/39
D554,782	S *	11/2007	Shiu	D26/39
D554,783	S *	11/2007	Shiu	D26/39
D560,008	S *	1/2008	Poon	D26/39
D576,328	S *	9/2008	Poon	D26/39
D577,842	S *	9/2008	Kumthampinij et al.	D26/39
D581,567	S *	11/2008	Crawford et al.	D26/38
D603,539	S *	11/2009	Shiu	D26/39
D615,678	S *	5/2010	DeBrunner	D26/39
D658,323	S *	4/2012	Freschl	D26/39

D672,893	S *	12/2012	Inskeep	D26/39
D680,250	S *	4/2013	Opolka	D26/39
D690,856	S *	10/2013	Shiu	D26/39
D696,803	S *	12/2013	Kingston et al.	D26/39
D705,980	S *	5/2014	Davidson et al.	D26/118
D707,867	S *	6/2014	Kotsis et al.	D26/39

FOREIGN PATENT DOCUMENTS

CN	3348794	1/2004
CN	300879683	1/2009
CN	300890222	3/2009
CN	302607628	10/2013

* cited by examiner

Primary Examiner — Ian Simmons

Assistant Examiner — Carissa C Fitts

(74) *Attorney, Agent, or Firm* — McDonald Hopkins, LLC

(57) **CLAIM**

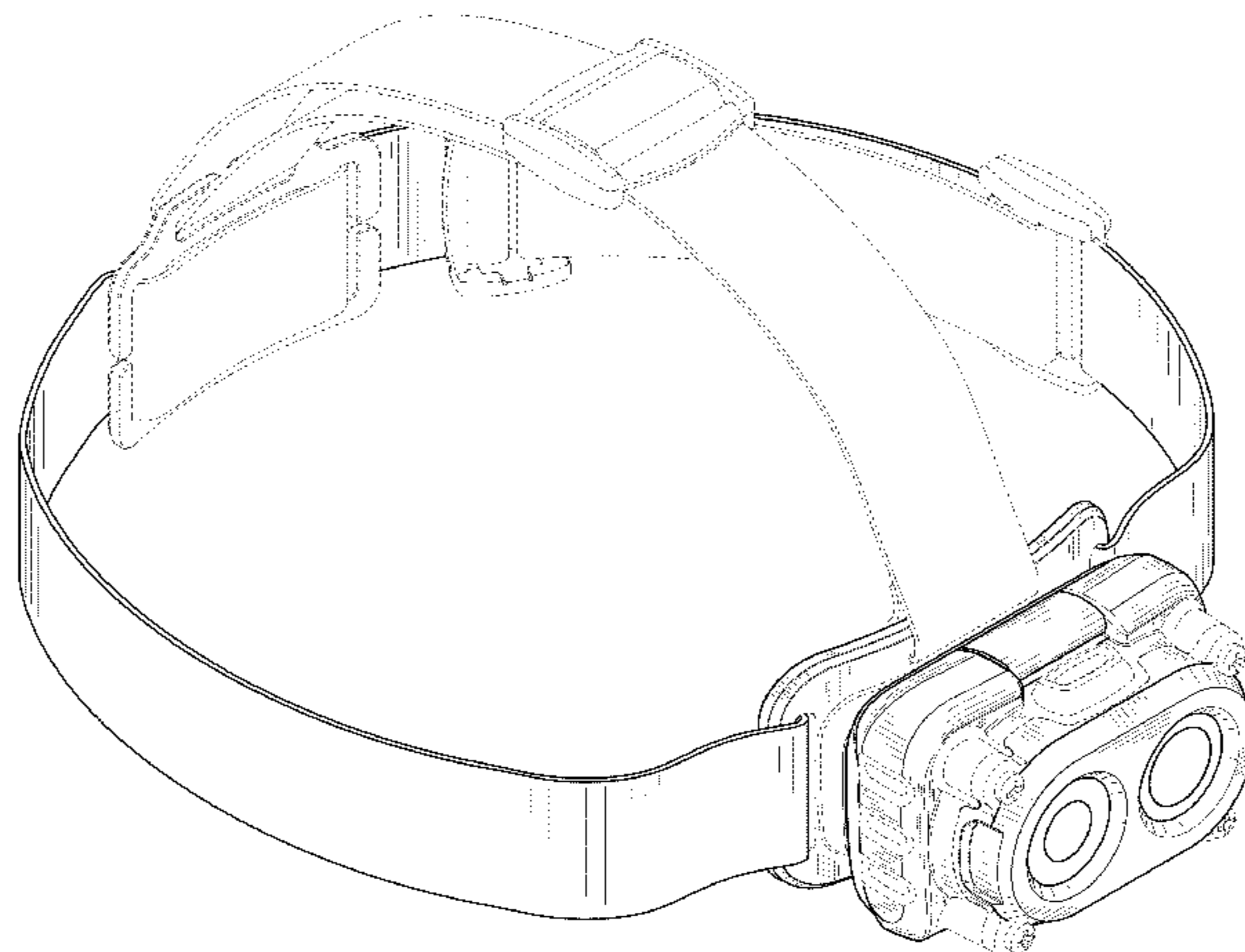
I claim the ornamental design for a lighting device, as shown and described.

DESCRIPTION

FIG. 1 is a front perspective view of the design;
FIG. 2 is a rear perspective view of the design;
FIG. 3 is a left side view of the design;
FIG. 4 is a right side view of the design;
FIG. 5 is a front view of the design;
FIG. 6 is a back view of the design;
FIG. 7 is a top view of the design;
FIG. 8 is a bottom view of the design;
FIG. 9 is another front perspective view of the design with the light housing shown tilted downward;
FIG. 10 is another left side view of the design with the light housing shown tilted downward; and,
FIG. 11 is another front perspective view of the design with the light housing shown detached from the strap mounting plate.

Any broken lines shown are for illustrative purposes only and form no part of the claimed design.

1 Claim, 11 Drawing Sheets



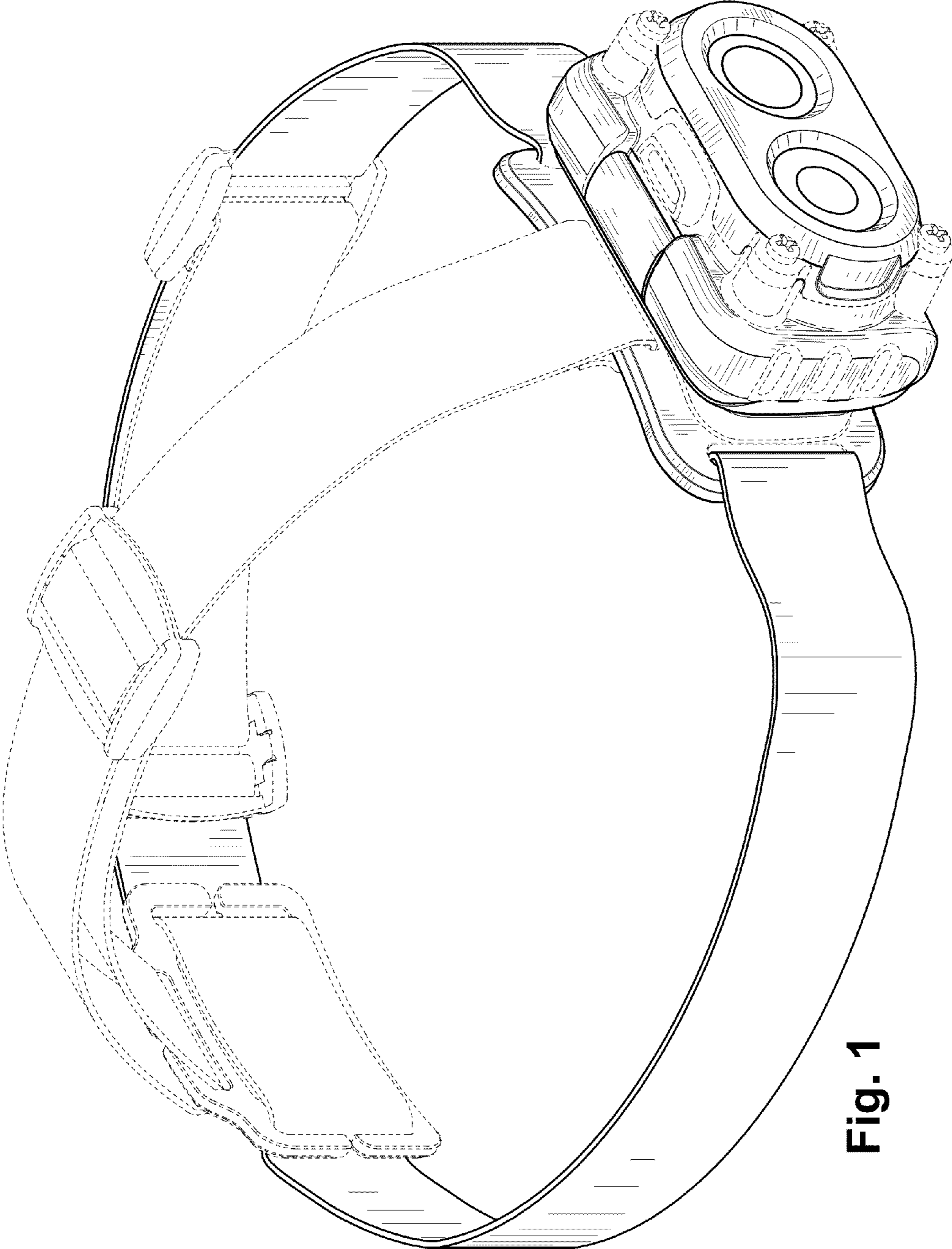


Fig. 1

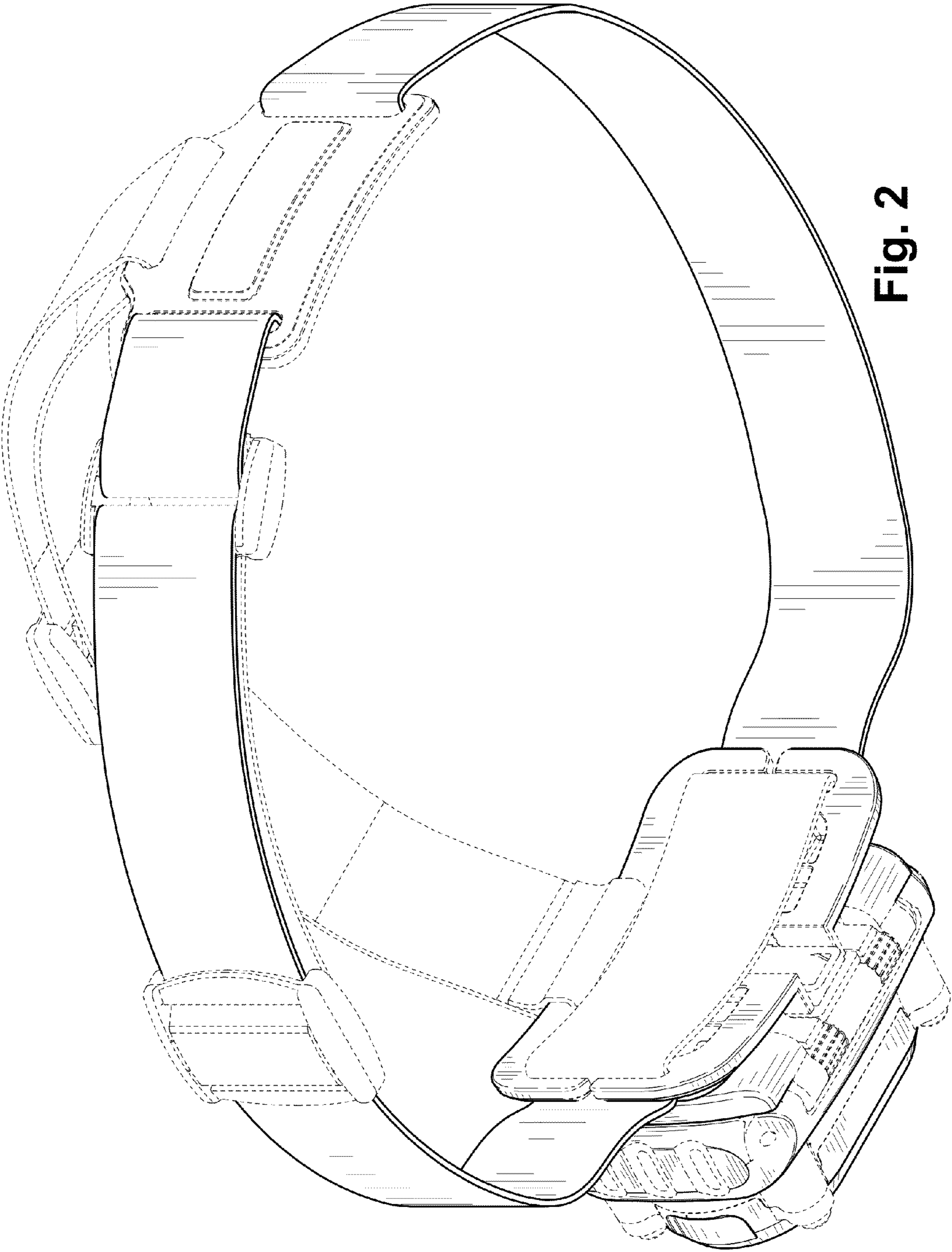


Fig. 2

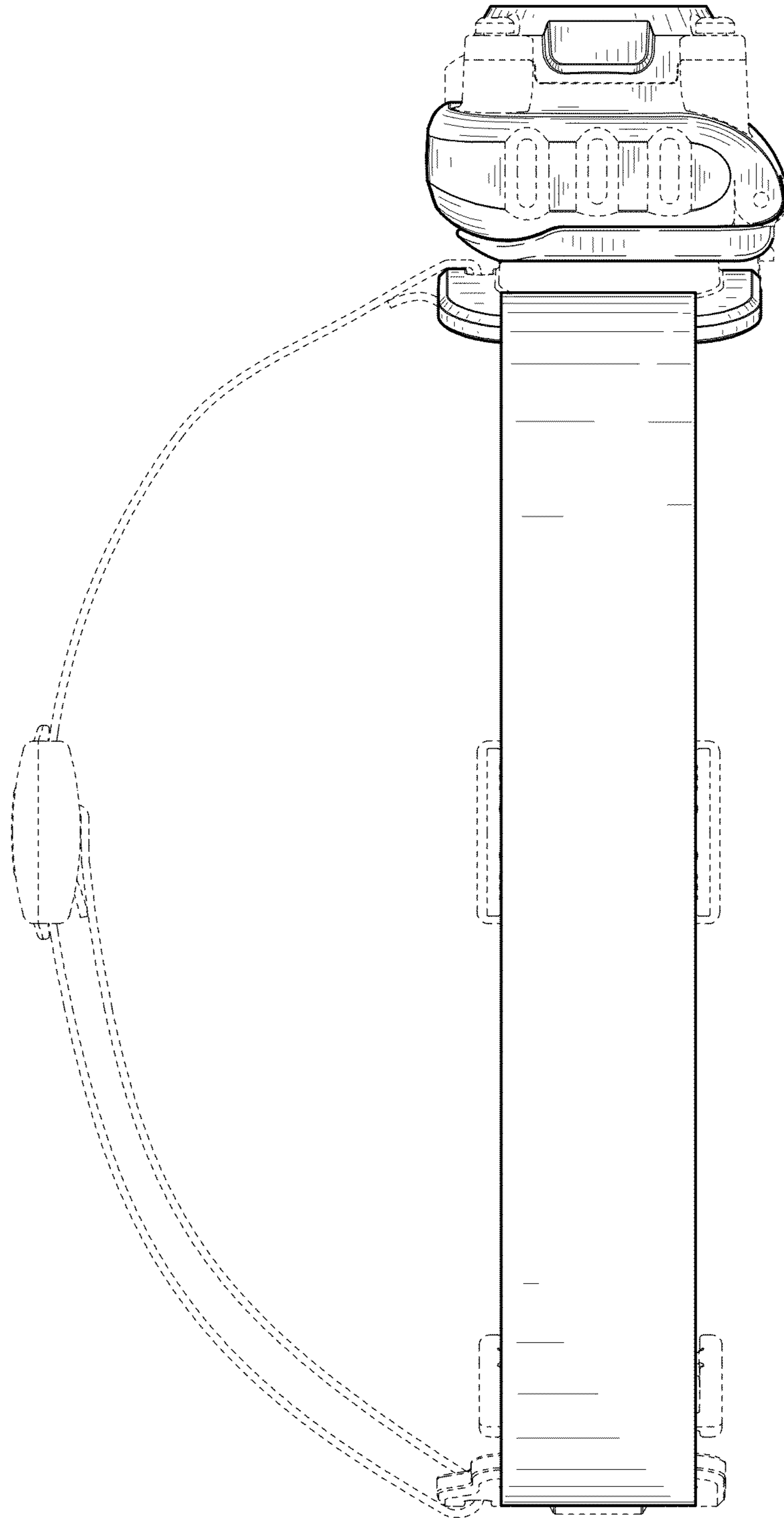


Fig. 3

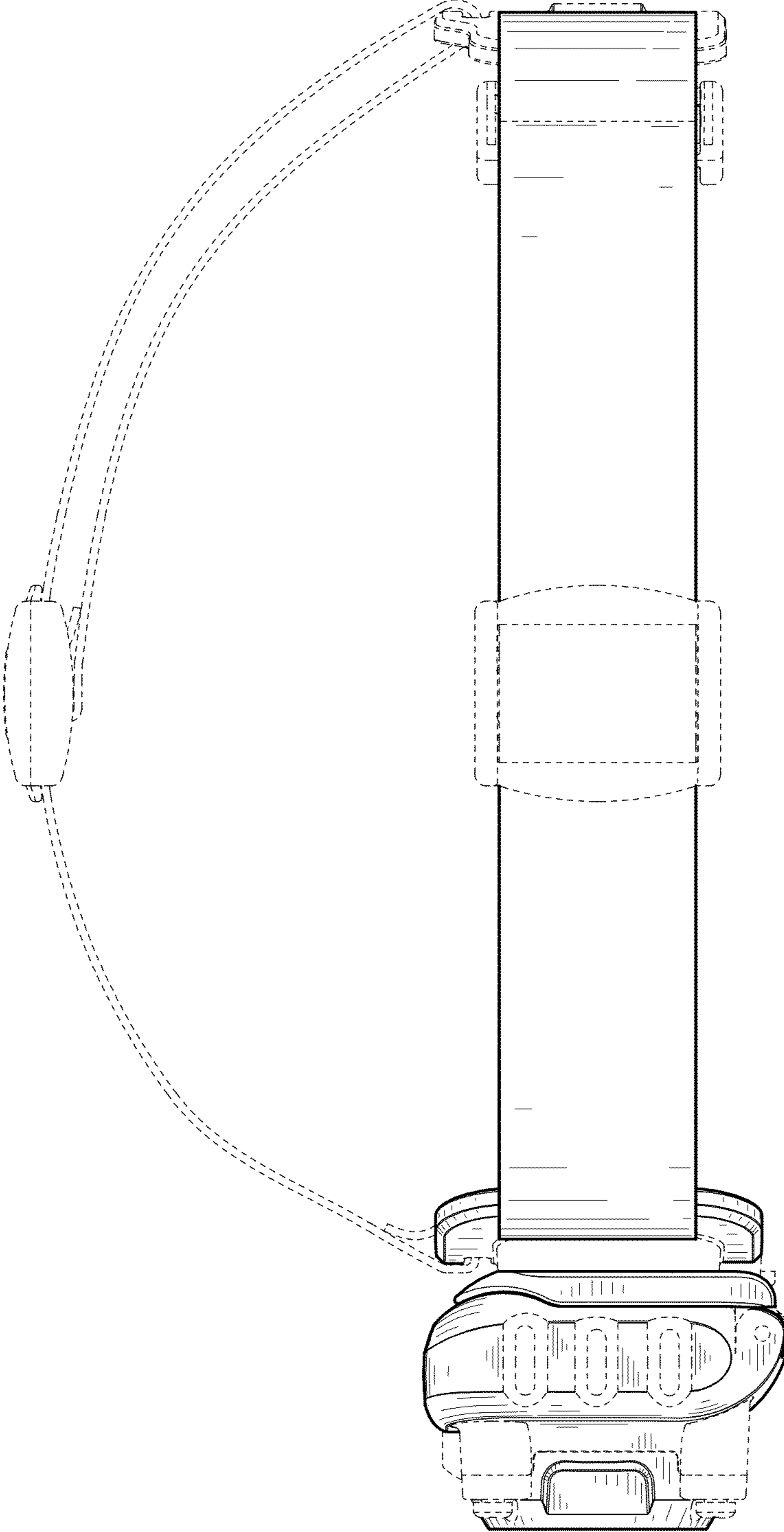


Fig. 4

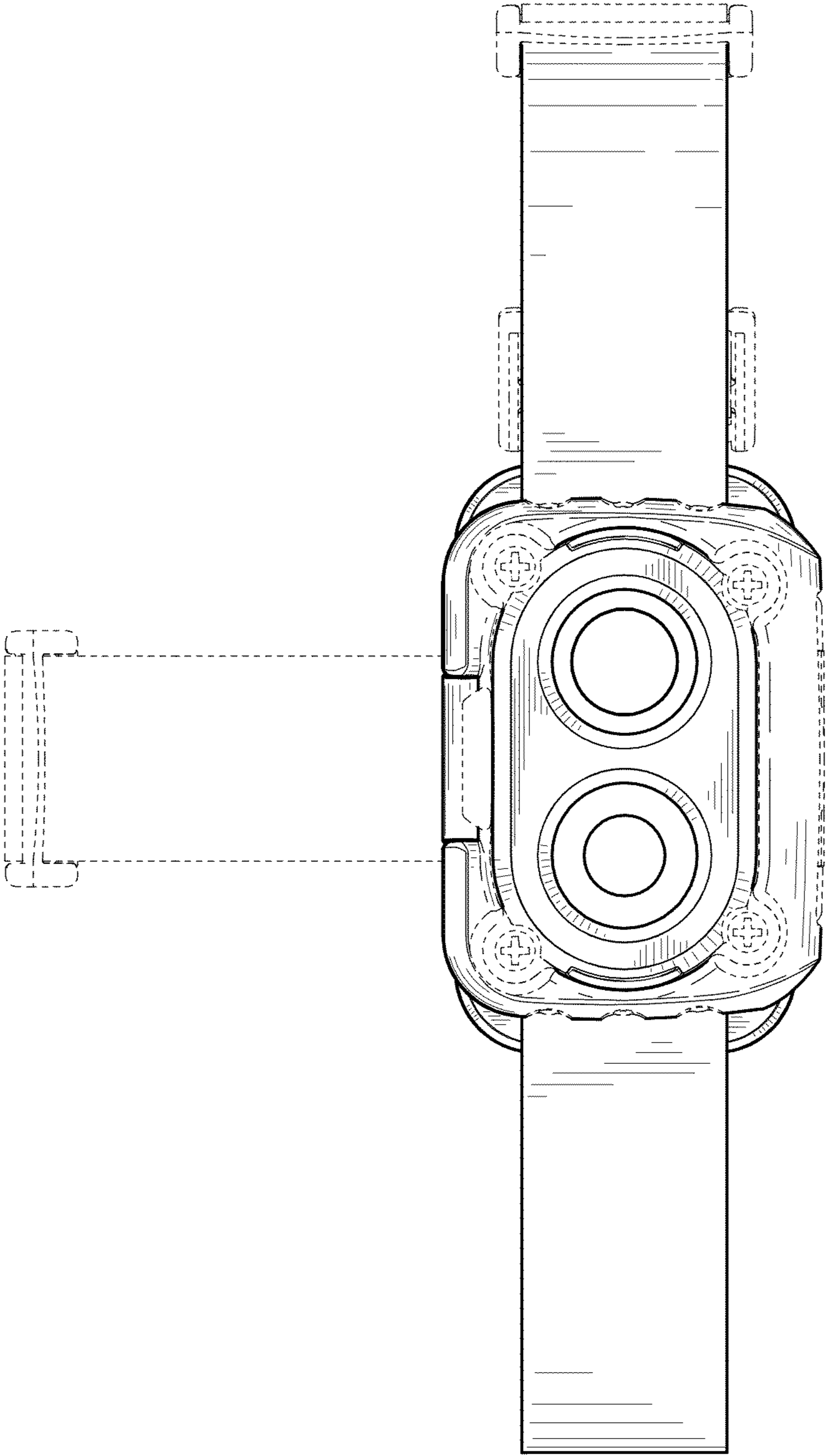


Fig. 5

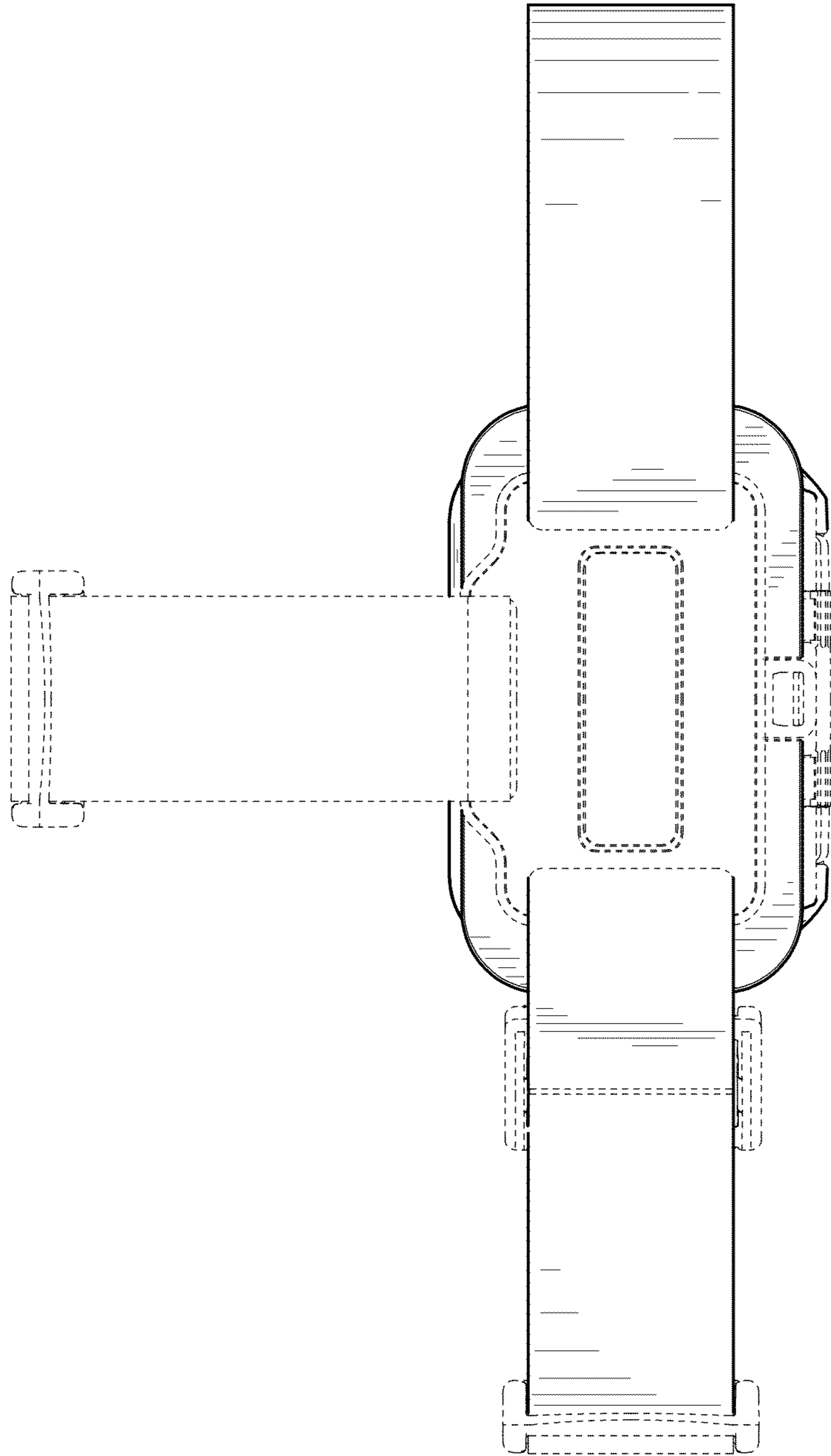


Fig. 6

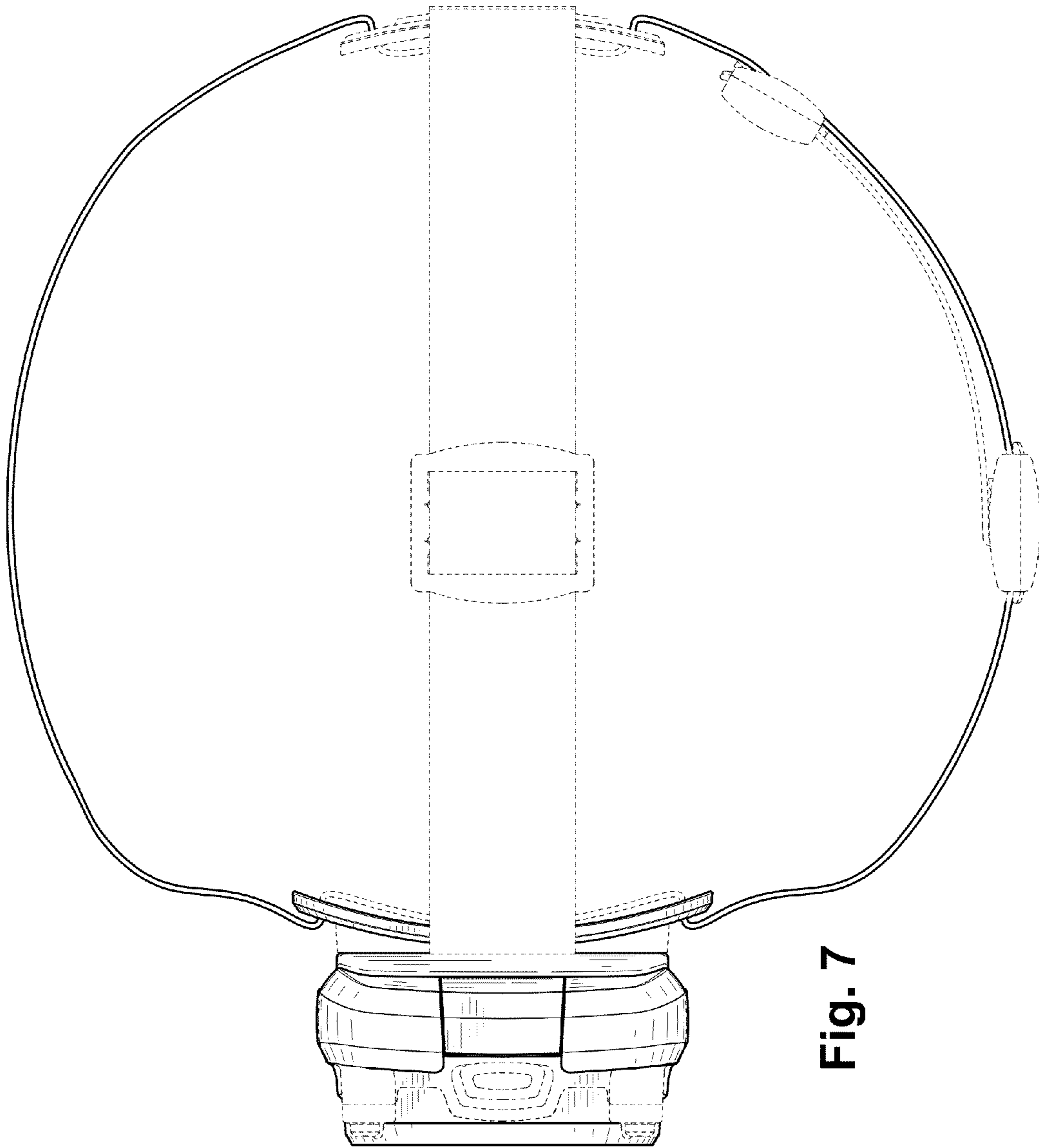


Fig. 7

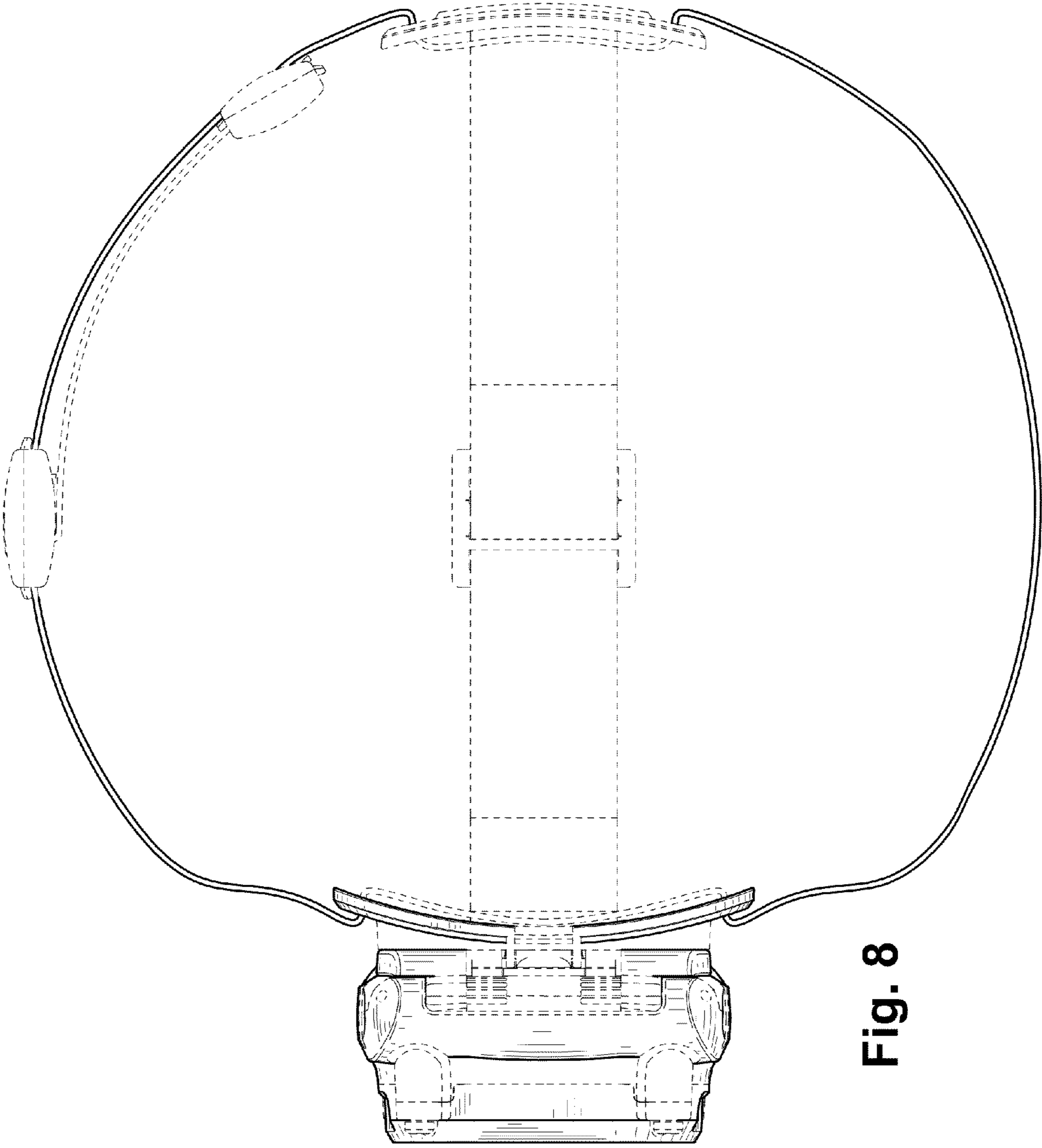


Fig. 8

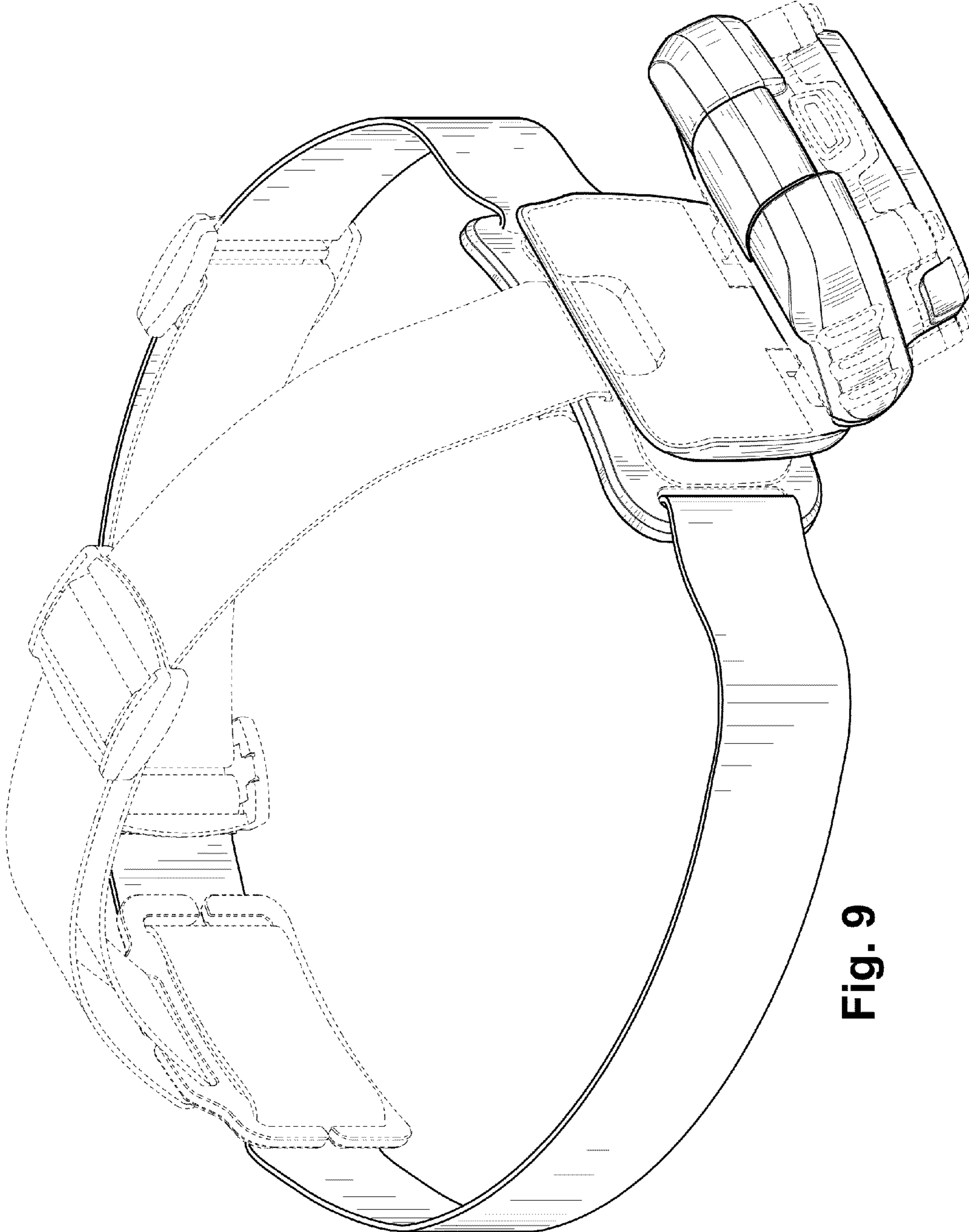


Fig. 9

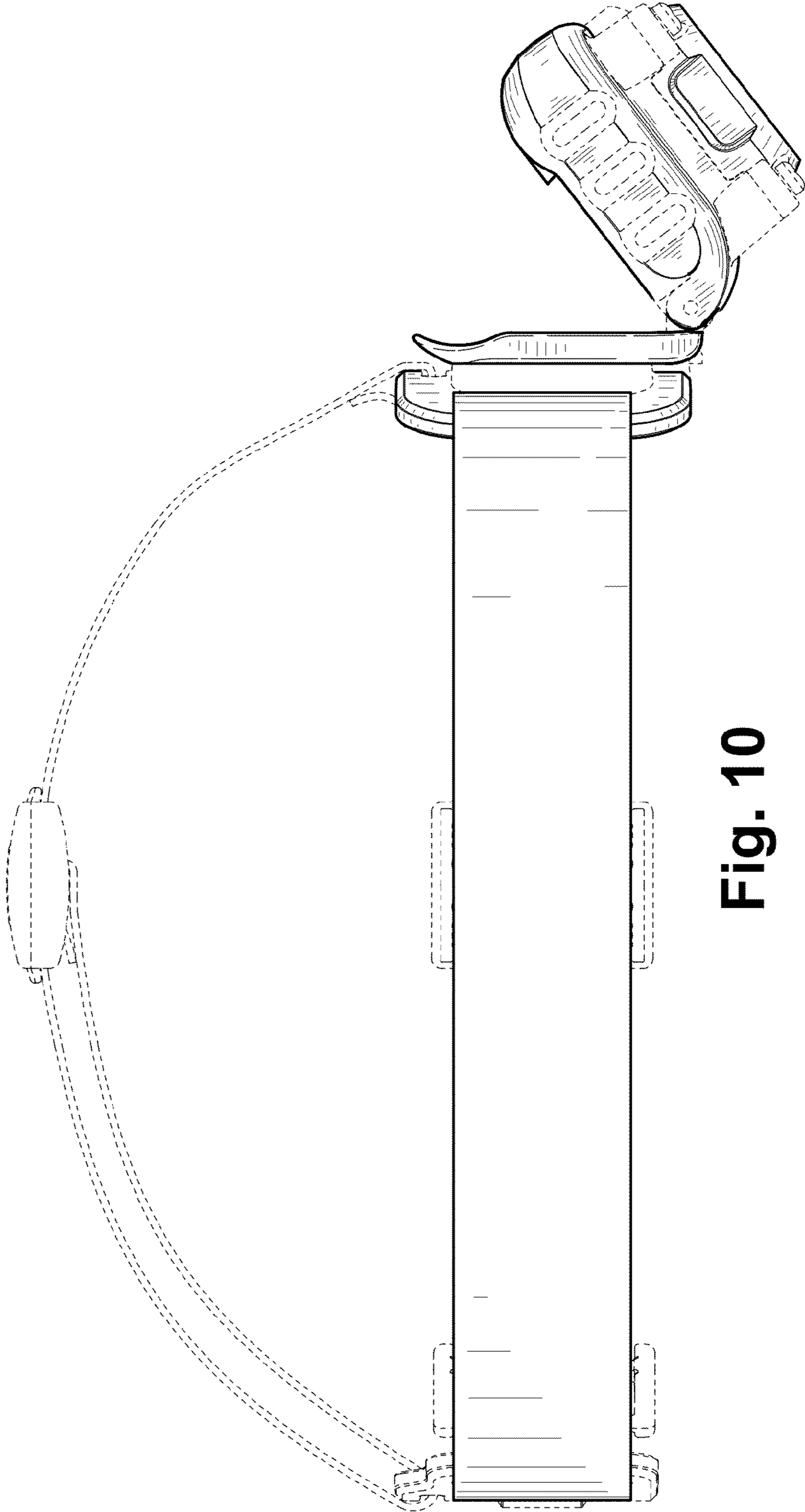


Fig. 10

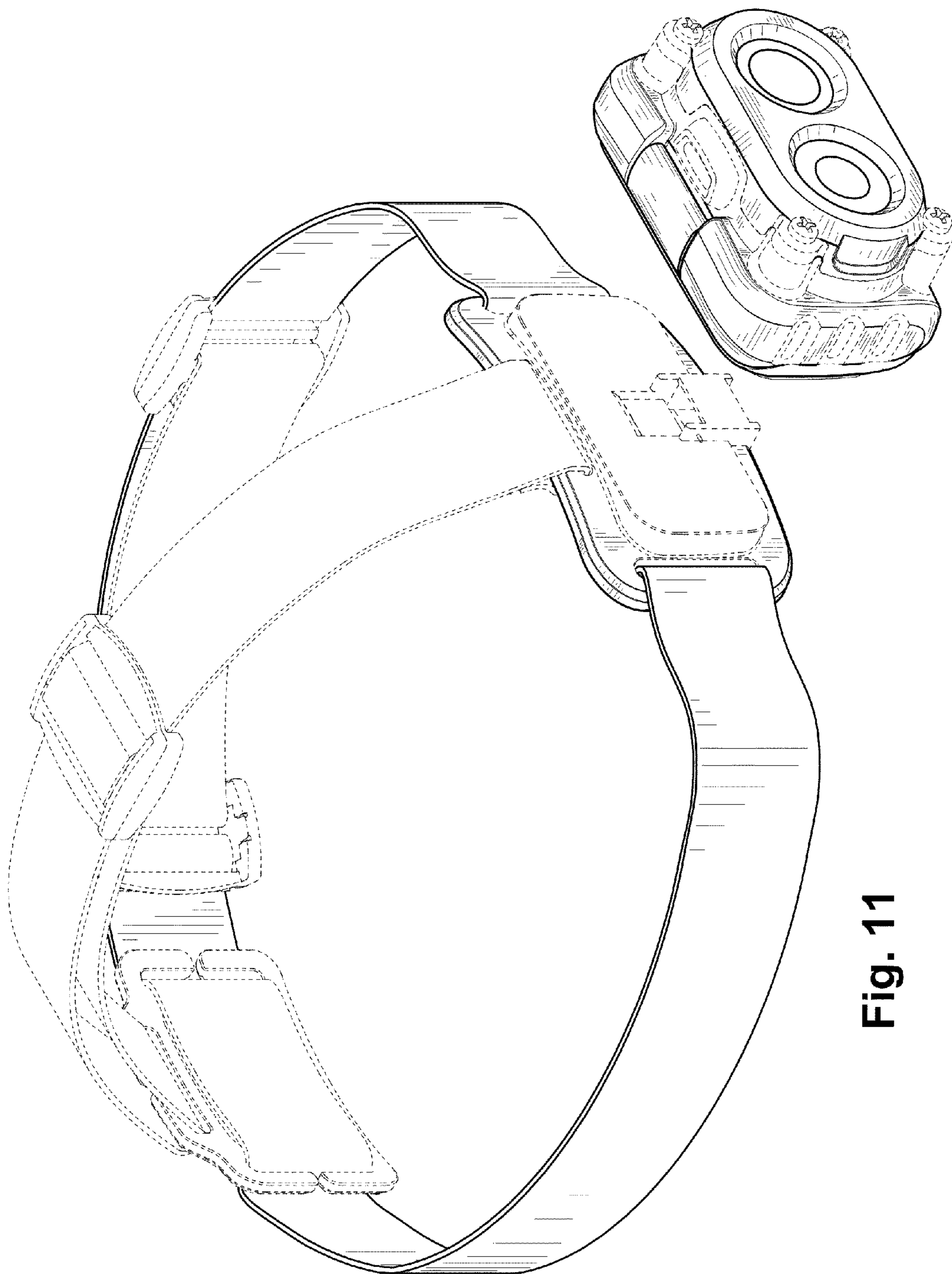


Fig. 11