



US00D742050S

(12) **United States Design Patent**
Inskeep

(10) **Patent No.:** **US D742,050 S**
(45) **Date of Patent:** **** Oct. 27, 2015**

(54) **HEADLAMP**

D672,893 S * 12/2012 Inskeep D26/39
D707,867 S * 6/2014 Kotsis et al. D26/39
D712,579 S * 9/2014 Cen et al. D26/39

(71) Applicant: **Mathew Inskeep**, Highland Beach, FL
(US)

* cited by examiner

(72) Inventor: **Mathew Inskeep**, Highland Beach, FL
(US)

Primary Examiner — Ian Simmons
Assistant Examiner — Carissa C Fitts

(**) Term: **14 Years**

(57) **CLAIM**

The ornamental design for a headlamp, as shown and described.

(21) Appl. No.: **29/479,363**

DESCRIPTION

(22) Filed: **Jan. 15, 2014**

(51) **LOC (10) Cl.** **26-02**

(52) **U.S. Cl.**
USPC **D26/39**

(58) **Field of Classification Search**
USPC D26/157, 158, 183, 184, 194–196,
D26/202–208, 253; 362/103, 105, 108, 106,
362/157, 158, 183, 184, 194–196, 202–208,
362/253
CPC F21V 33/00; F21V 14/025; F21V 21/406;
F21Y 2101/02
See application file for complete search history.

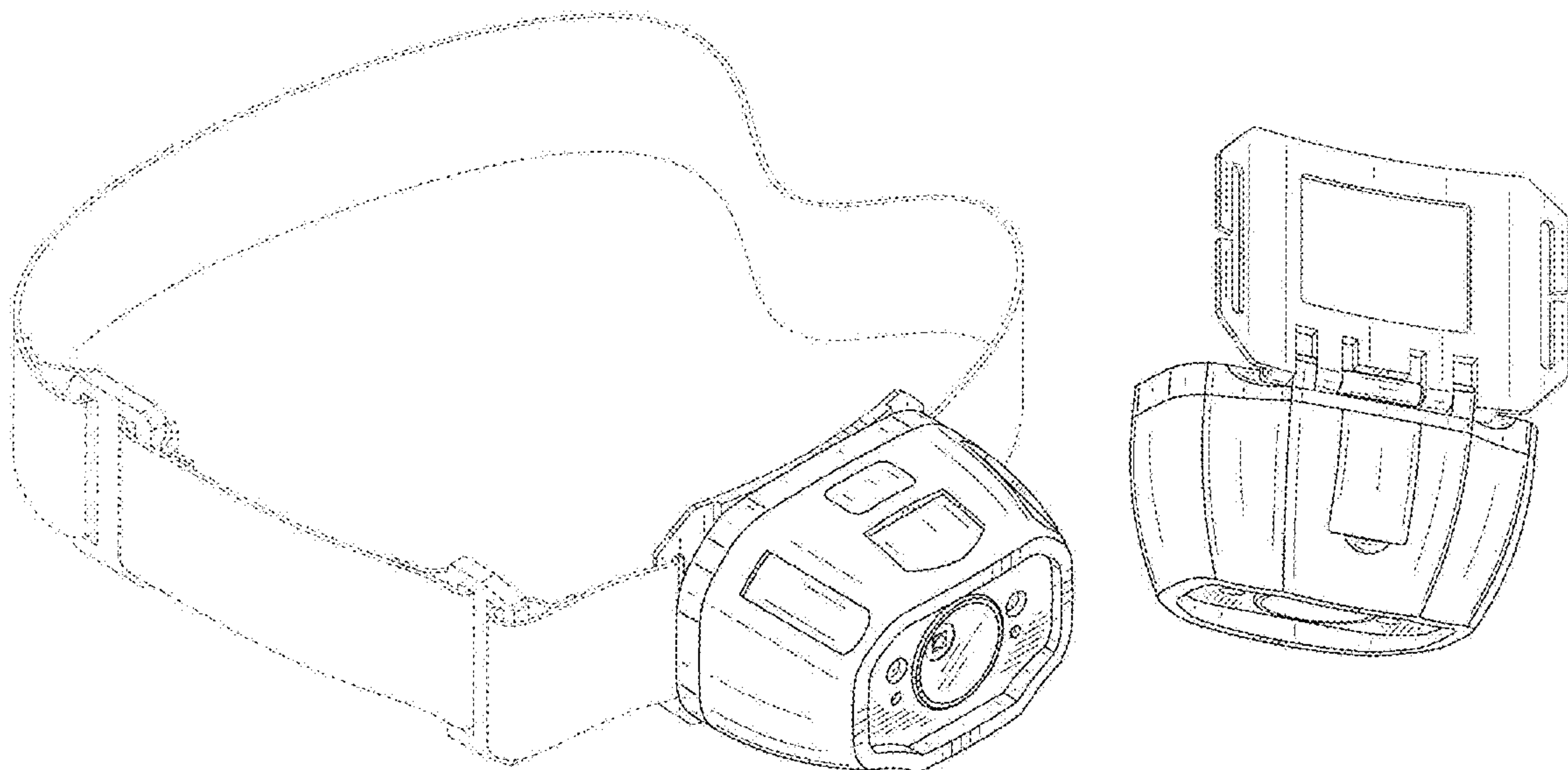
FIG. 1 is a top perspective view of the headlamp showing my new design.
FIG. 2 is a bottom perspective view thereof.
FIG. 3 is a top view thereof.
FIG. 4 is a bottom view thereof.
FIG. 5 is front view thereof.
FIG. 6 is a back view thereof.
FIG. 7 is a left side view thereof.
FIG. 8 is a right side view thereof.
FIG. 9 is a top perspective view with the headlamp angled downward.
FIG. 10 is a bottom perspective view with the headlamp angled downward.
FIG. 11 is a top perspective view with the headlamp removed from the strap angled downward; and,
FIG. 12 is a bottom perspective view with the headlamp removed from the strap angled downward.
The broken line showing is for environmental purposes only and forms no part of the claimed design.

(56) **References Cited**

U.S. PATENT DOCUMENTS

D320,667 S * 10/1991 Smith D26/39
D552,278 S * 10/2007 Spartano et al. D26/39
D560,008 S * 1/2008 Poon D26/39
D620,160 S * 7/2010 Kang et al. D26/39
D649,272 S * 11/2011 Araujo et al. D26/39
D658,323 S * 4/2012 Freschl D26/39

1 Claim, 9 Drawing Sheets



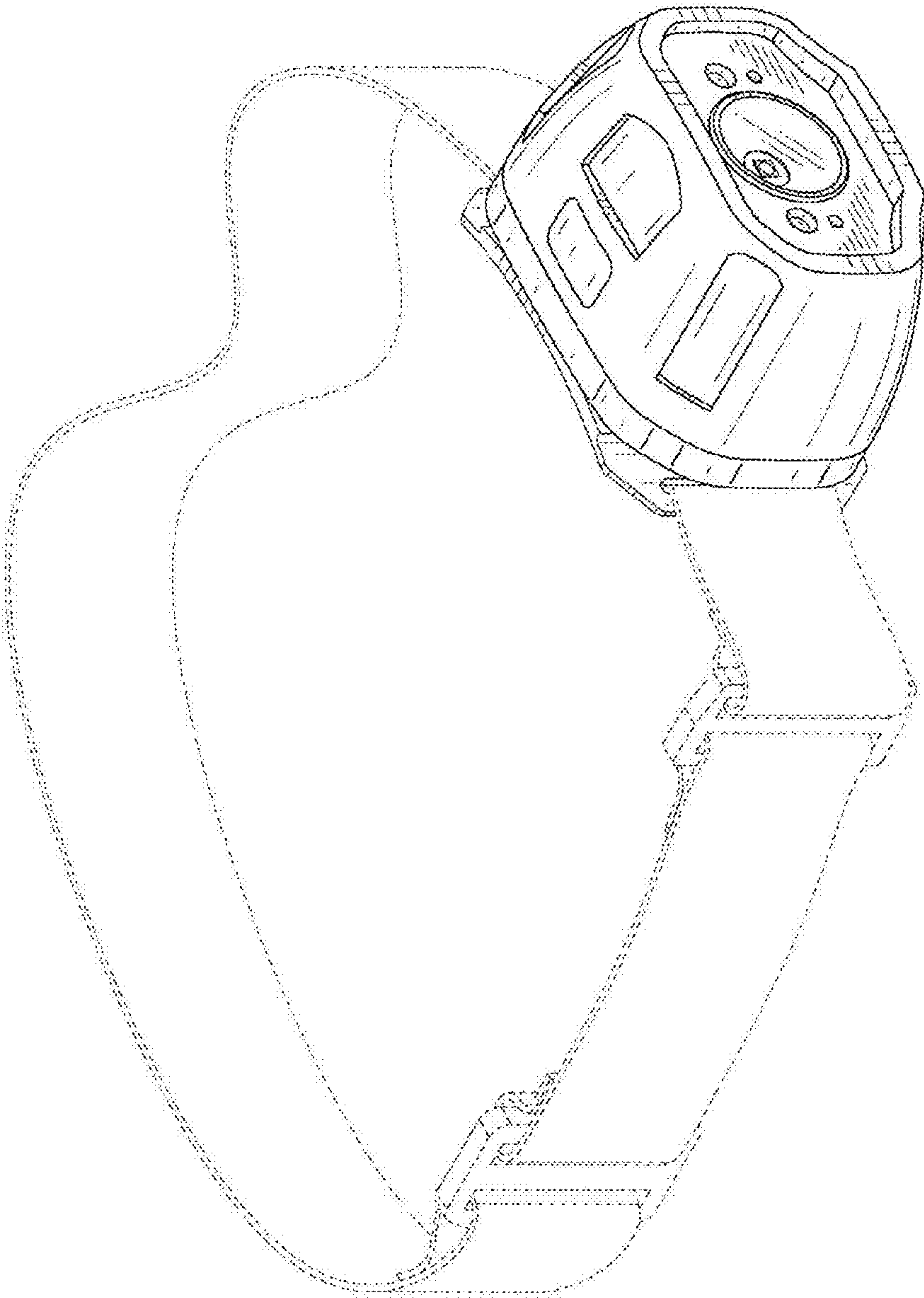


FIG. 1

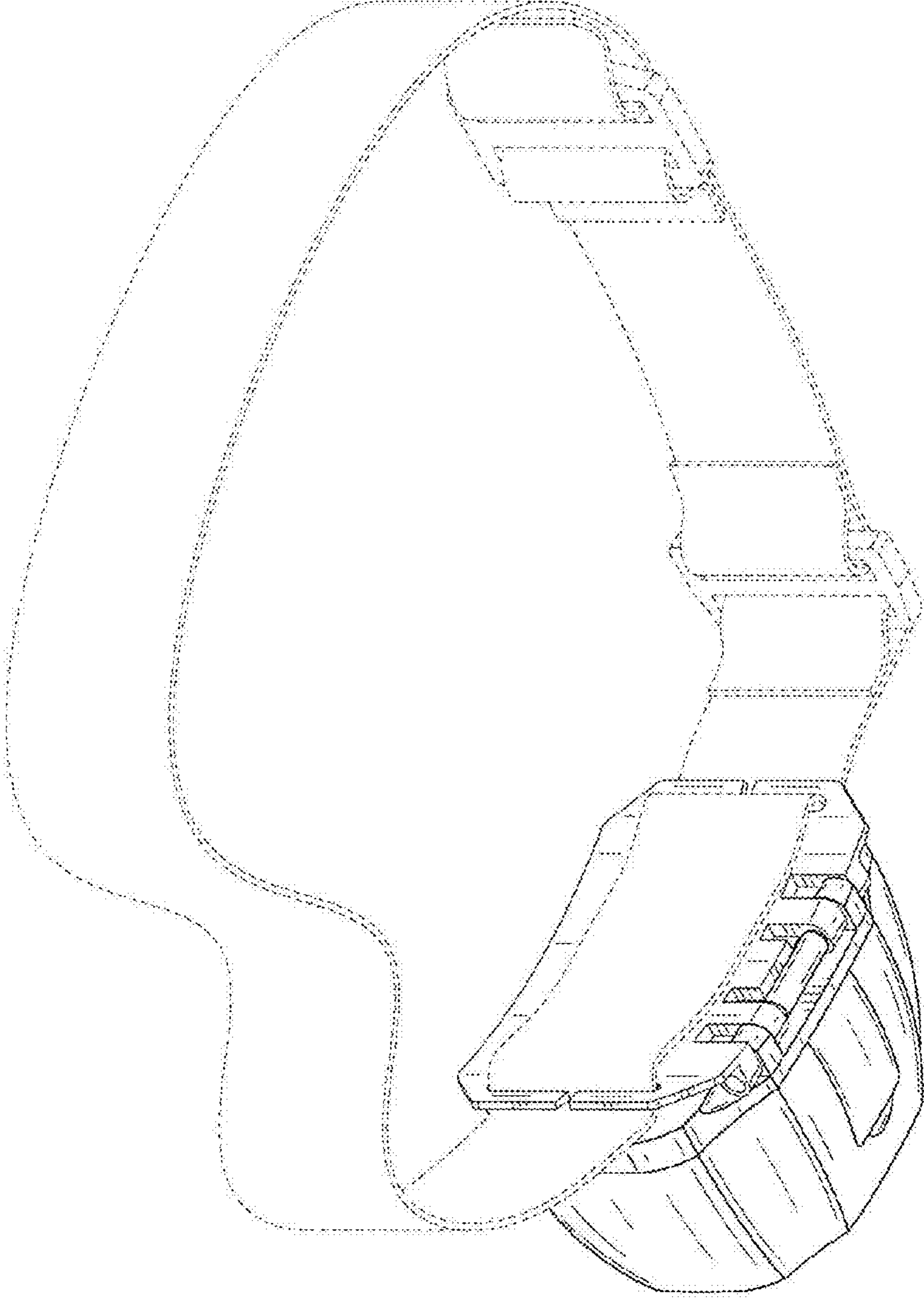


FIG. 2

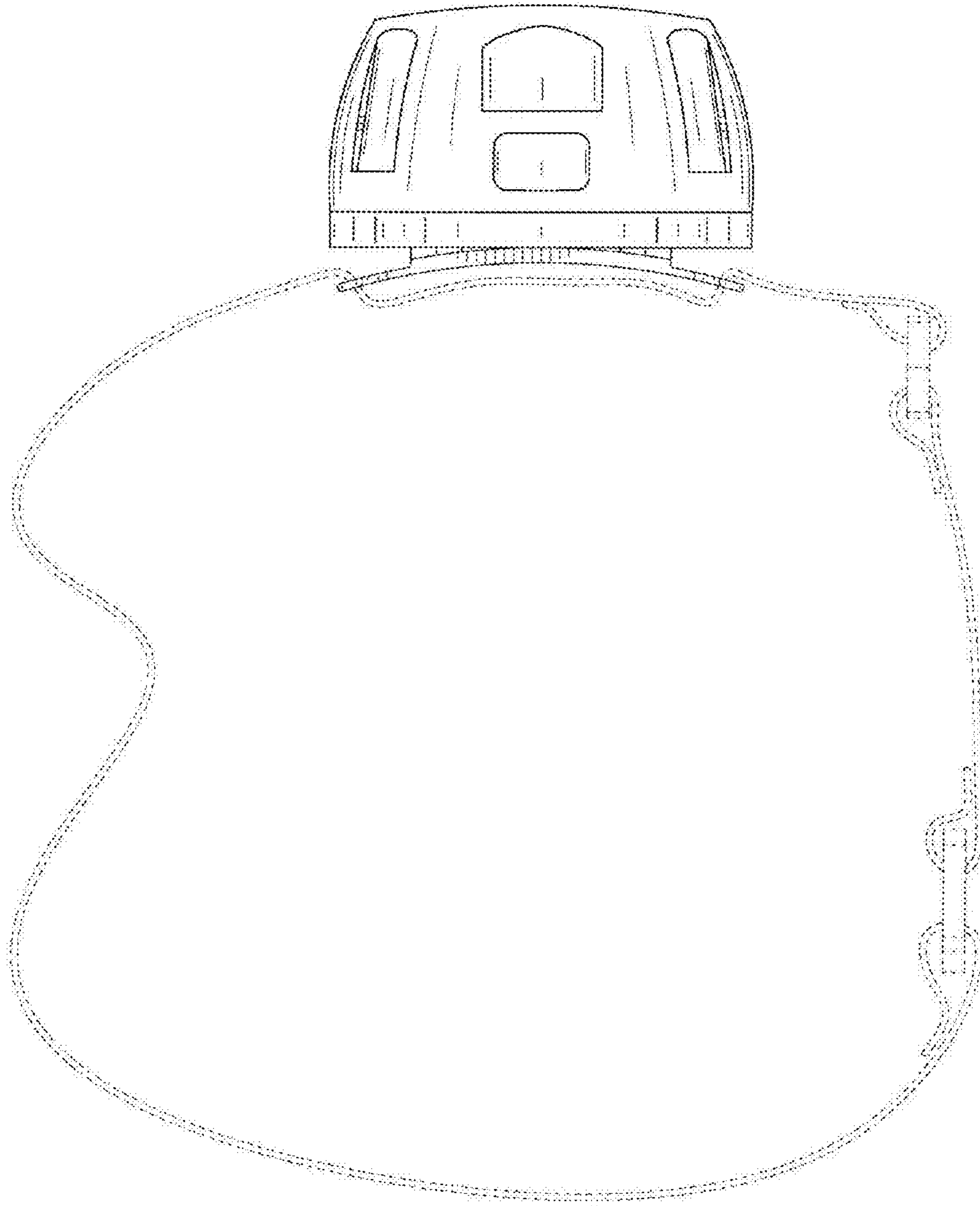


FIG. 3

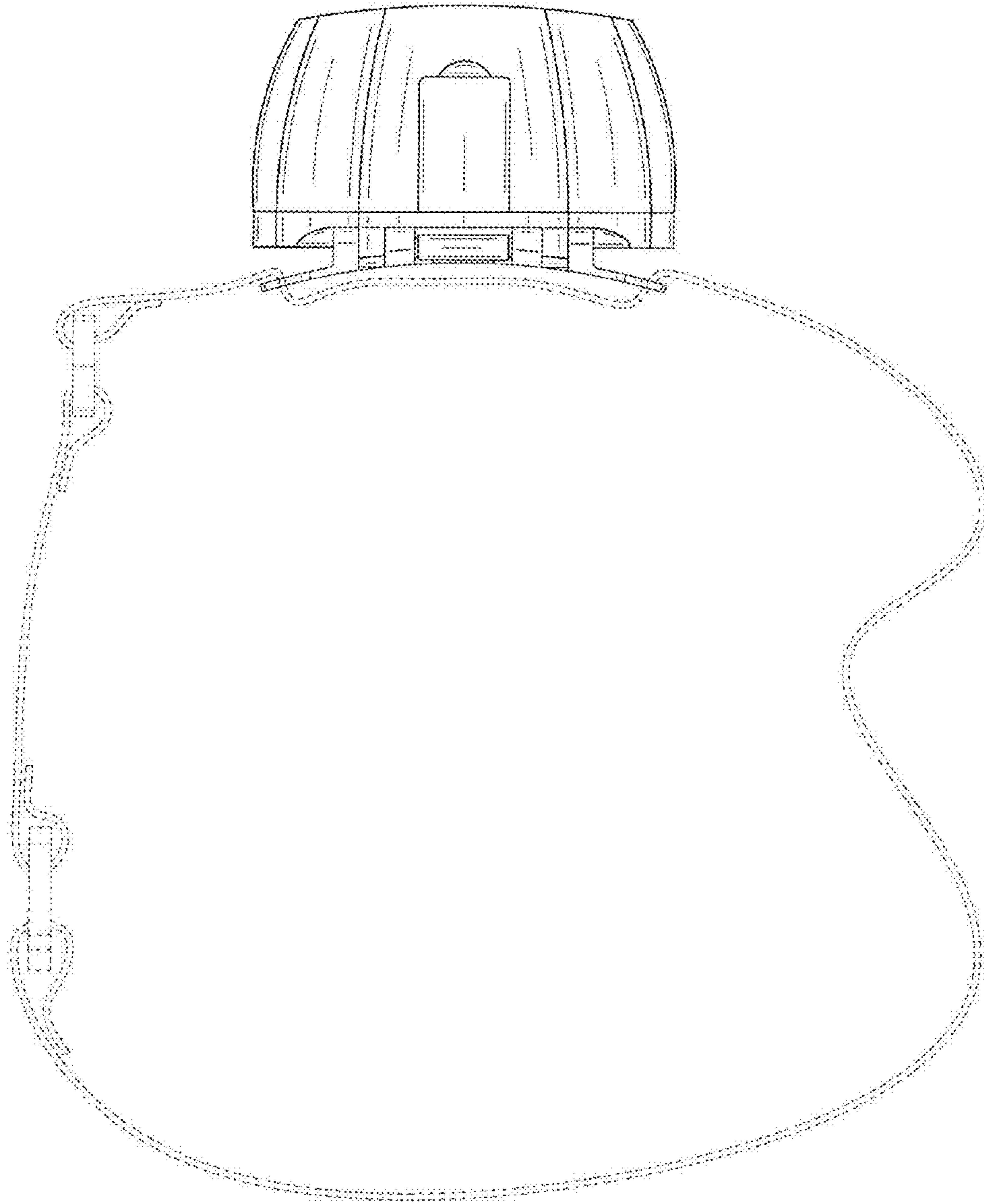


FIG. 4

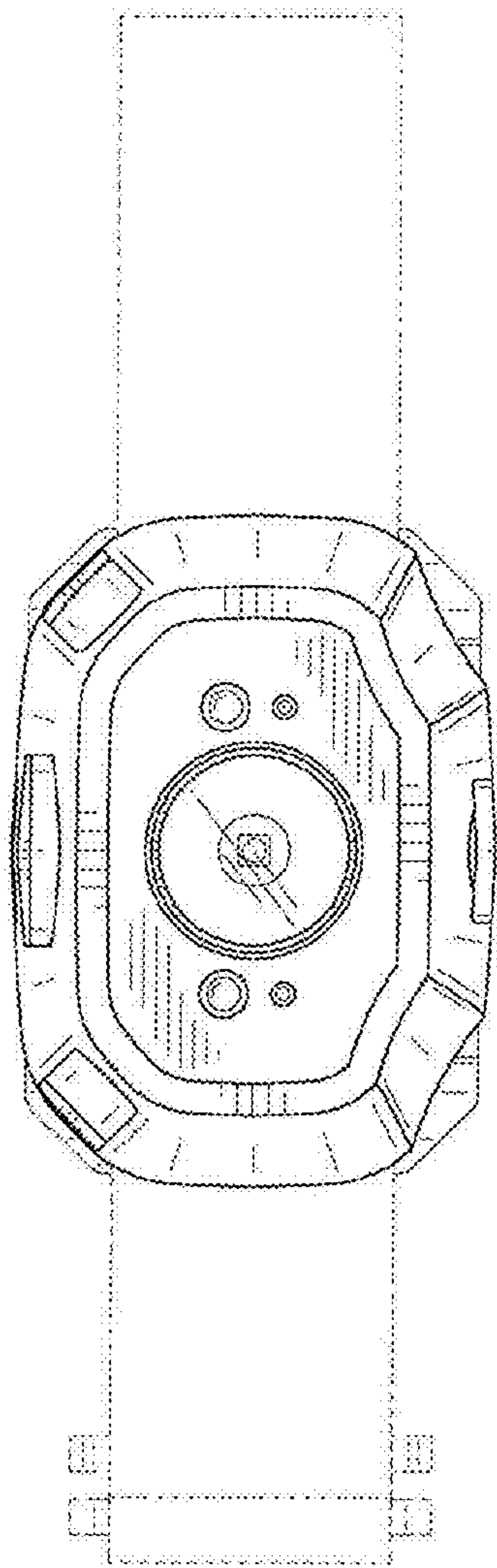


FIG. 5

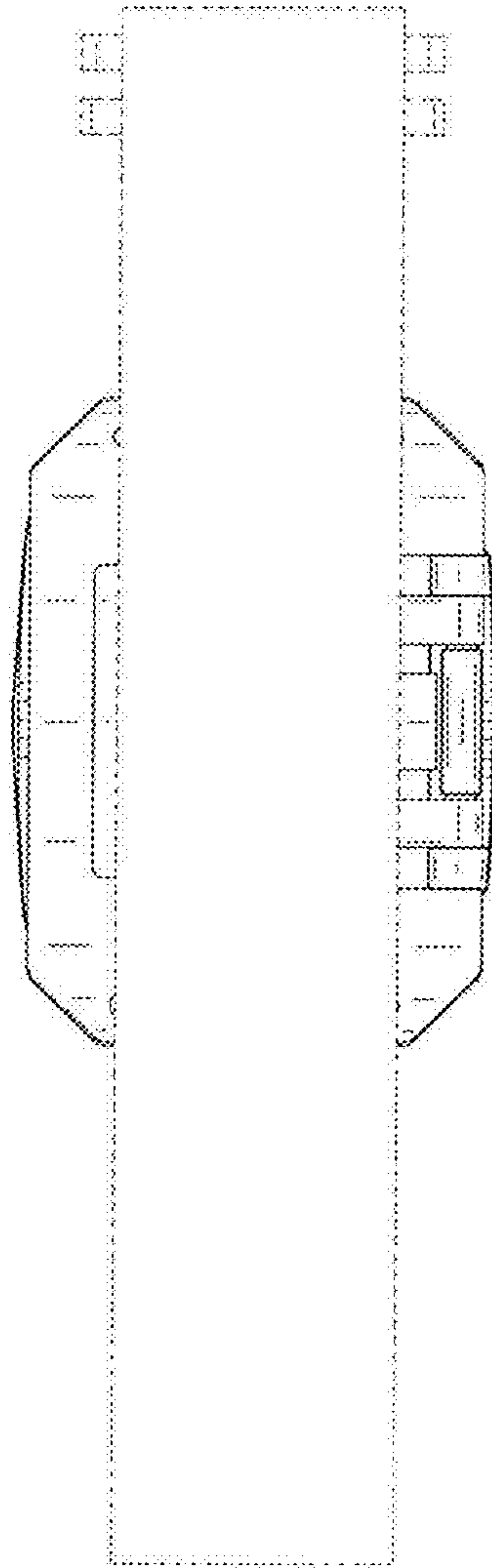


FIG. 6

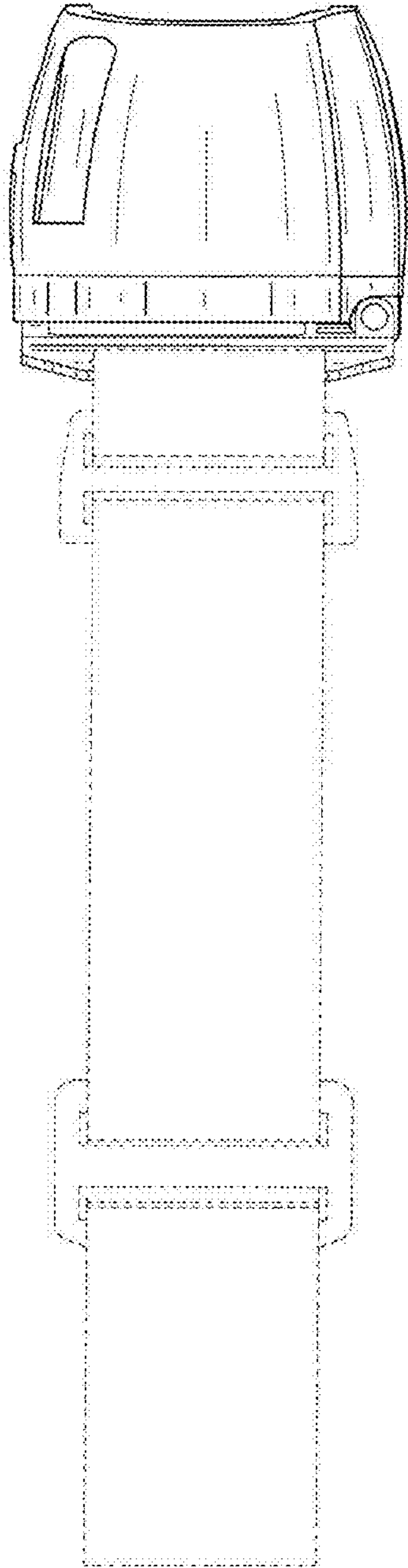


FIG. 7

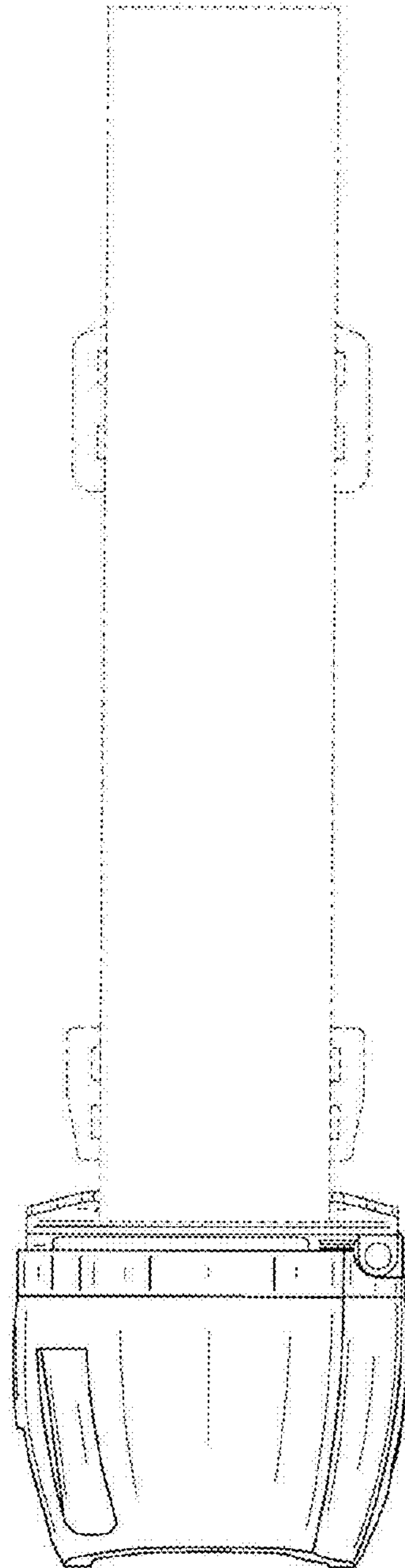


FIG. 8

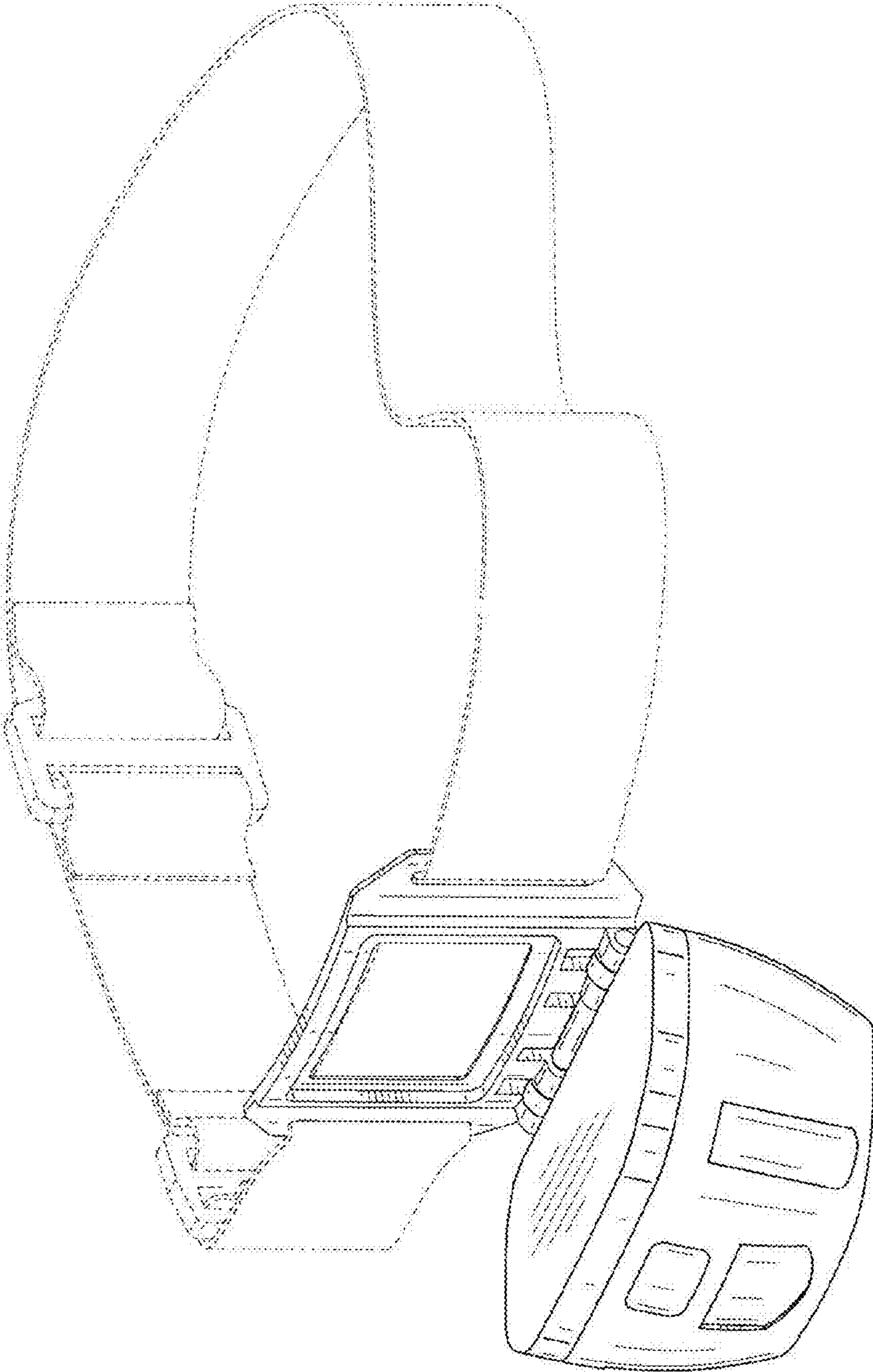


FIG. 9

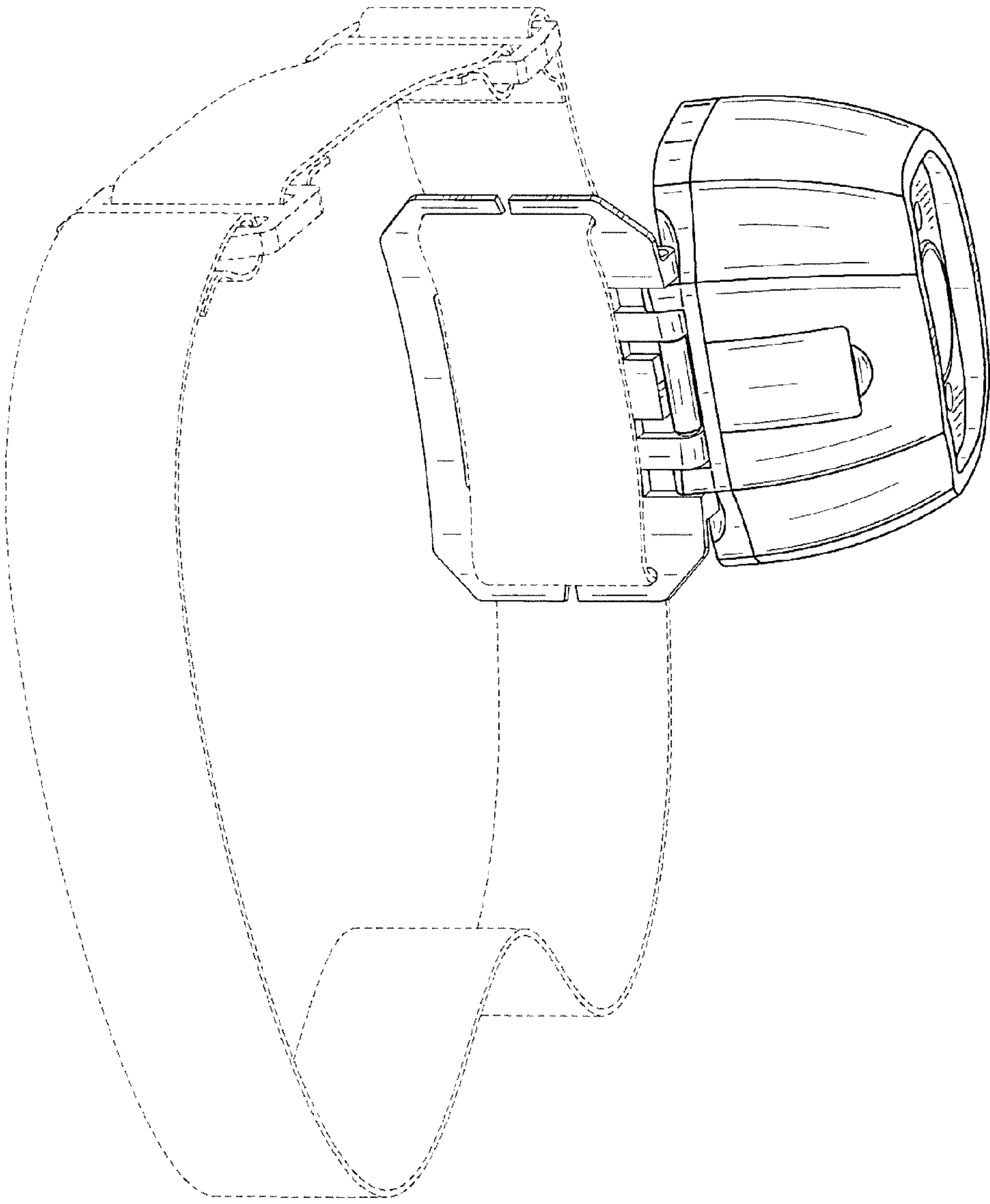


FIG. 10

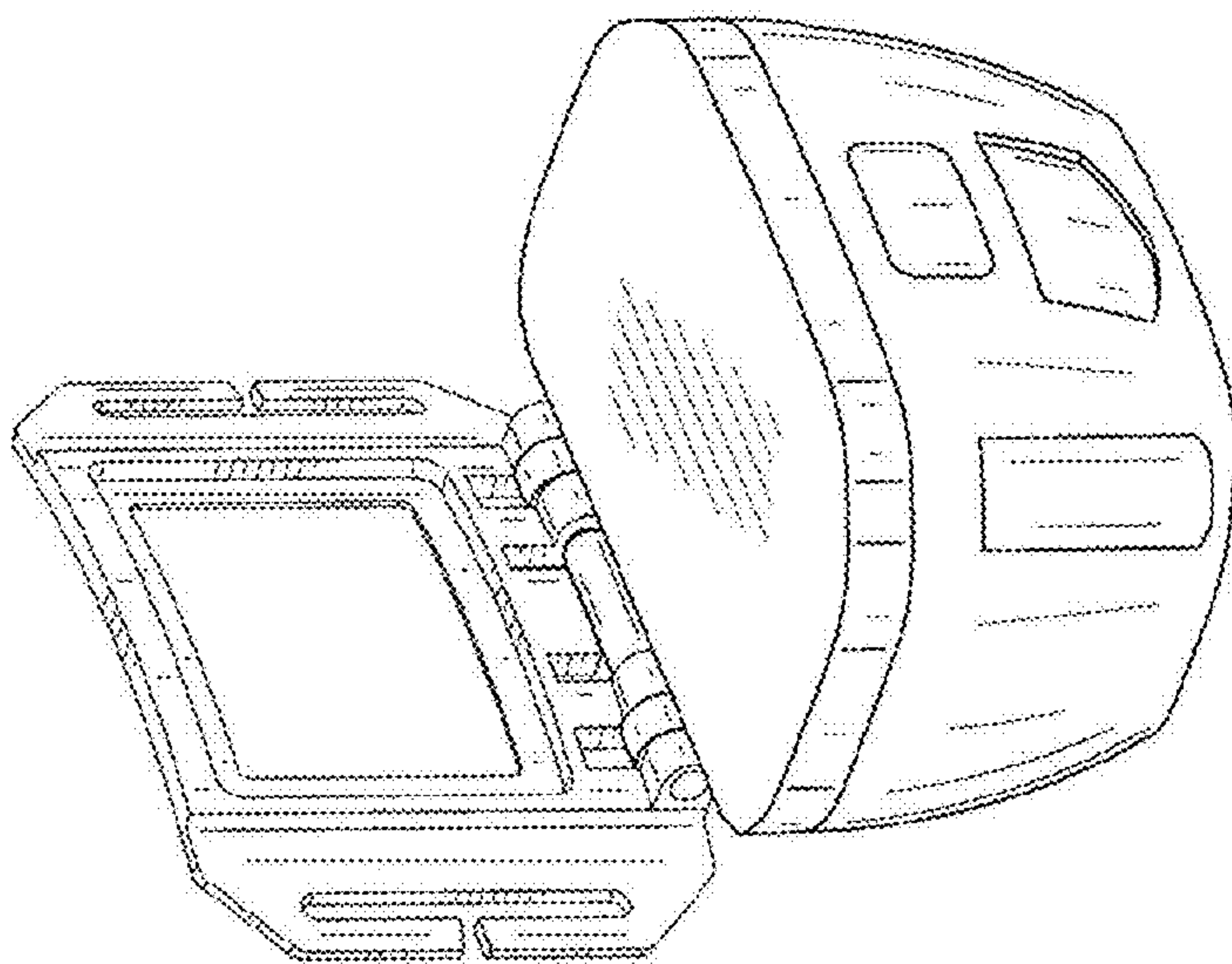


FIG. 11

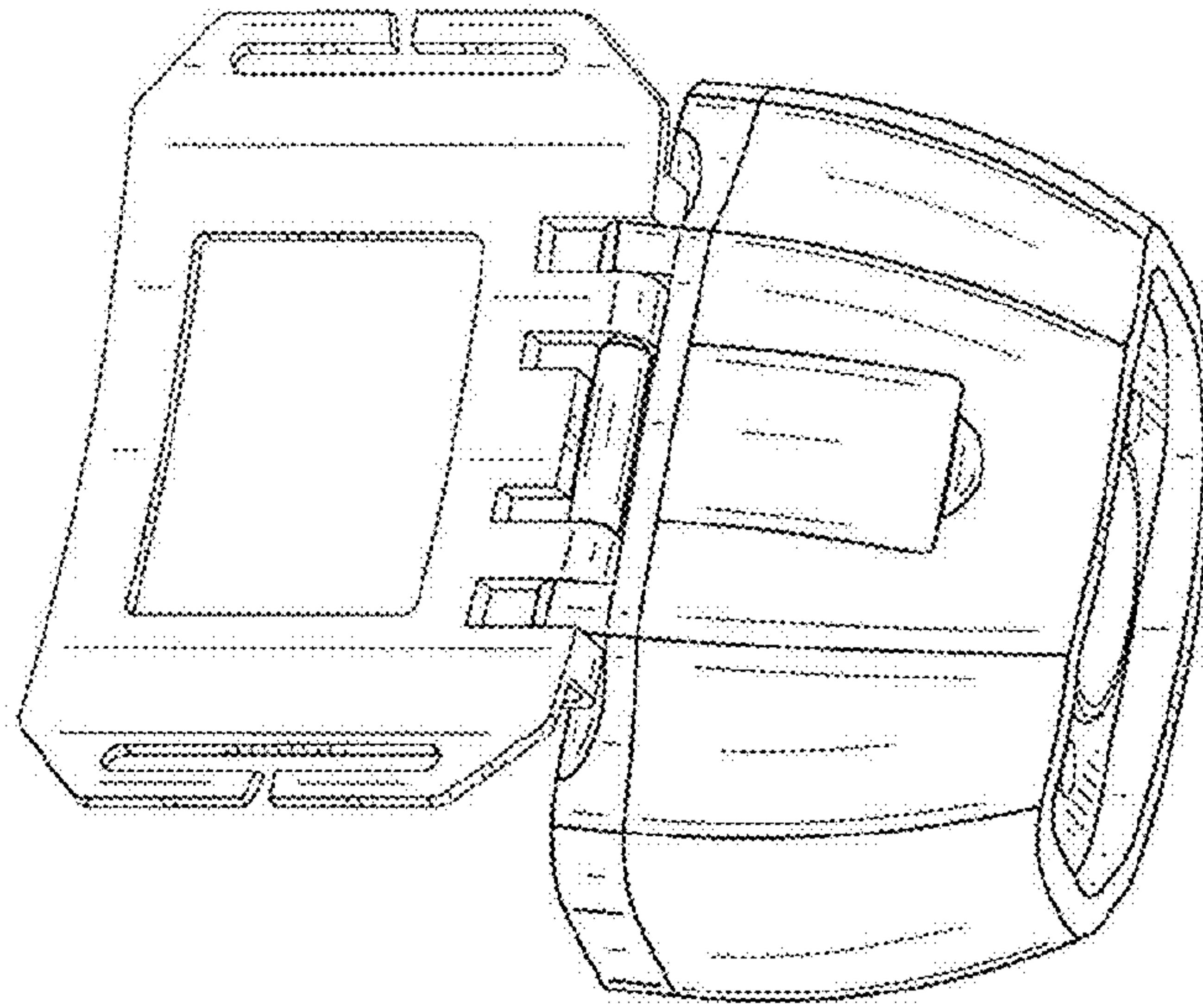


FIG. 12