



US00D742048S

(12) **United States Design Patent**
Sheikh et al.

(10) **Patent No.:** **US D742,048 S**
(45) **Date of Patent:** **** Oct. 27, 2015**

- (54) **STUN GUN**
- (76) Inventors: **Yasar Sheikh**, Sanford, FL (US);
Shabbir Sheikh, Sanford, FL (US)
- (**) **Term:** **14 Years**
- (21) **Appl. No.:** **29/412,323**
- (22) **Filed:** **Feb. 1, 2012**

Related U.S. Application Data

- (63) Continuation-in-part of application No. 29/410,156, filed on Jan. 4, 2012, now Pat. No. Des. 674,943.
- (51) **LOC (10) Cl.** **26-02**
- (52) **U.S. Cl.**
USPC **D26/38**; D22/117; D26/113
- (58) **Field of Classification Search**
USPC D26/37, 38, 44, 45, 46, 48, 49, 51, 52;
362/157, 158, 183, 184, 194-196,
362/200-208, 253, 109; D22/117
CPC ... F41H 13/0018; F21V 33/00; F21V 14/025;
F21V 21/406; F21Y 2101/02; F21L 17/00;
F21L 13/08
See application file for complete search history.

- D603,988 S 11/2009 Sharrah
- D611,115 S 3/2010 Pennington
- D629,542 S 12/2010 Robinson
- D629,544 S 12/2010 Deguglimo et al.
- D629,546 S 12/2010 Deguglimo et al.
- D646,008 S * 9/2011 Couture D26/49
- D646,346 S 10/2011 Rae
- D647,232 S 10/2011 Liu
- D647,654 S 10/2011 Li
- D648,467 S 11/2011 Nguyen et al.
- D649,670 S 11/2011 Robinson
- D666,344 S 8/2012 Lee
- D671,249 S * 11/2012 Sheikh et al. D26/38
- D674,943 S * 1/2013 Sheikh et al. D26/38
- D684,717 S * 6/2013 Hicks D26/49
- D690,383 S * 9/2013 Sheikh et al. D22/117
- D691,691 S * 10/2013 Sheikh et al. D22/117
- D691,692 S * 10/2013 Sheikh et al. D22/117
- D695,873 S * 12/2013 Sheikh et al. D22/117
- D702,384 S * 4/2014 Stewart D26/49

(Continued)

Primary Examiner — Ian Simmons
Assistant Examiner — Carissa C Fitts
(74) *Attorney, Agent, or Firm* — QuickPatents; Kevin Prince

(57) **CLAIM**
We claim the ornamental design for a stun gun, as shown and described.

DESCRIPTION

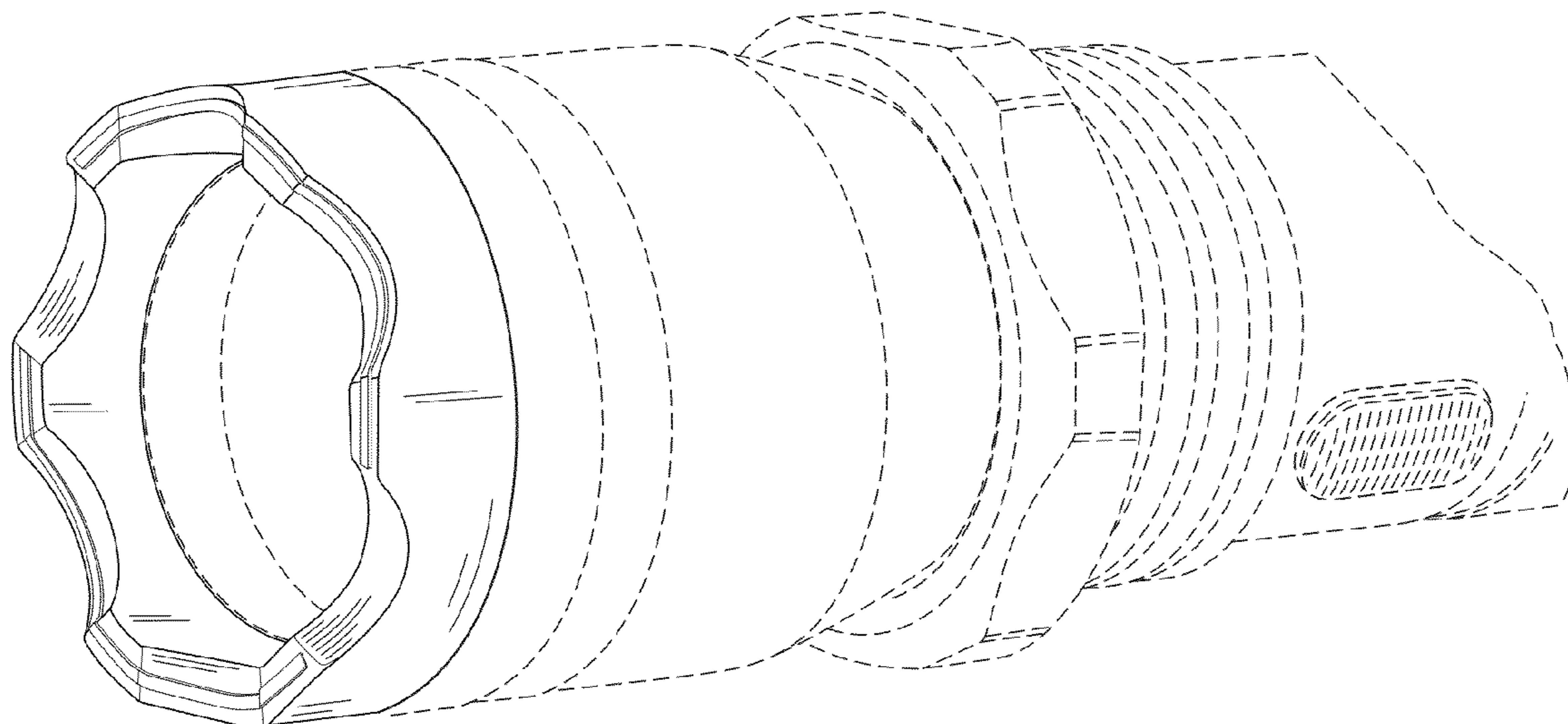
FIG. 1 is a front perspective view of a stun gun, showing our new design;
FIG. 2 is a front elevational view thereof;
FIG. 3 is a top plan view thereof, the bottom plan view being a mirror image thereof; and,
FIG. 4 is a left-side elevational view thereof, the right-side elevational view being a mirror image thereof.
The broken lines showing a remaining portion of a stun gun depict environmental matter, and form no part of the claimed design.

1 Claim, 2 Drawing Sheets

(56) **References Cited**

U.S. PATENT DOCUMENTS

- 4,968,034 A 11/1990 Hsieh
- D513,334 S 12/2005 Galey
- D541,454 S 4/2007 Galey
- 7,278,764 B2 10/2007 Kim
- D565,769 S 4/2008 Shiu
- D578,236 S 10/2008 Dalton
- D585,577 S 1/2009 Bonis
- D586,025 S 2/2009 Bonis
- D592,338 S * 5/2009 Bushee D26/37
- D595,439 S 6/2009 Haight et al.
- D599,928 S 9/2009 Shiu
- D601,736 S 10/2009 Swan



US D742,048 S

Page 2

(56)

References Cited

U.S. PATENT DOCUMENTS

D709,231 S * 7/2014 Nguyen D26/49
D709,234 S * 7/2014 Inskeep D26/49

D706,897 S * 6/2014 Sheikh et al. D22/117 * cited by examiner

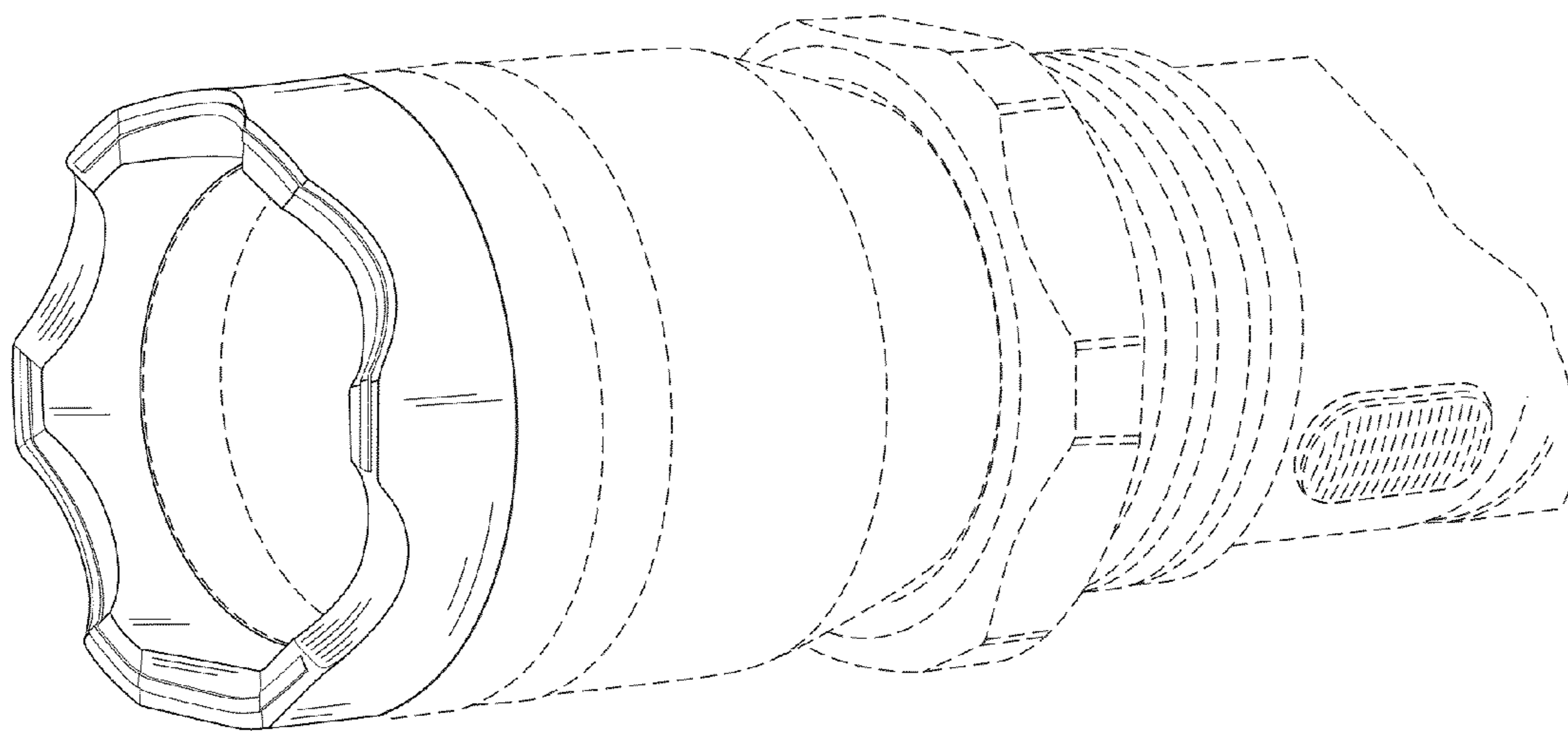


FIG. 1

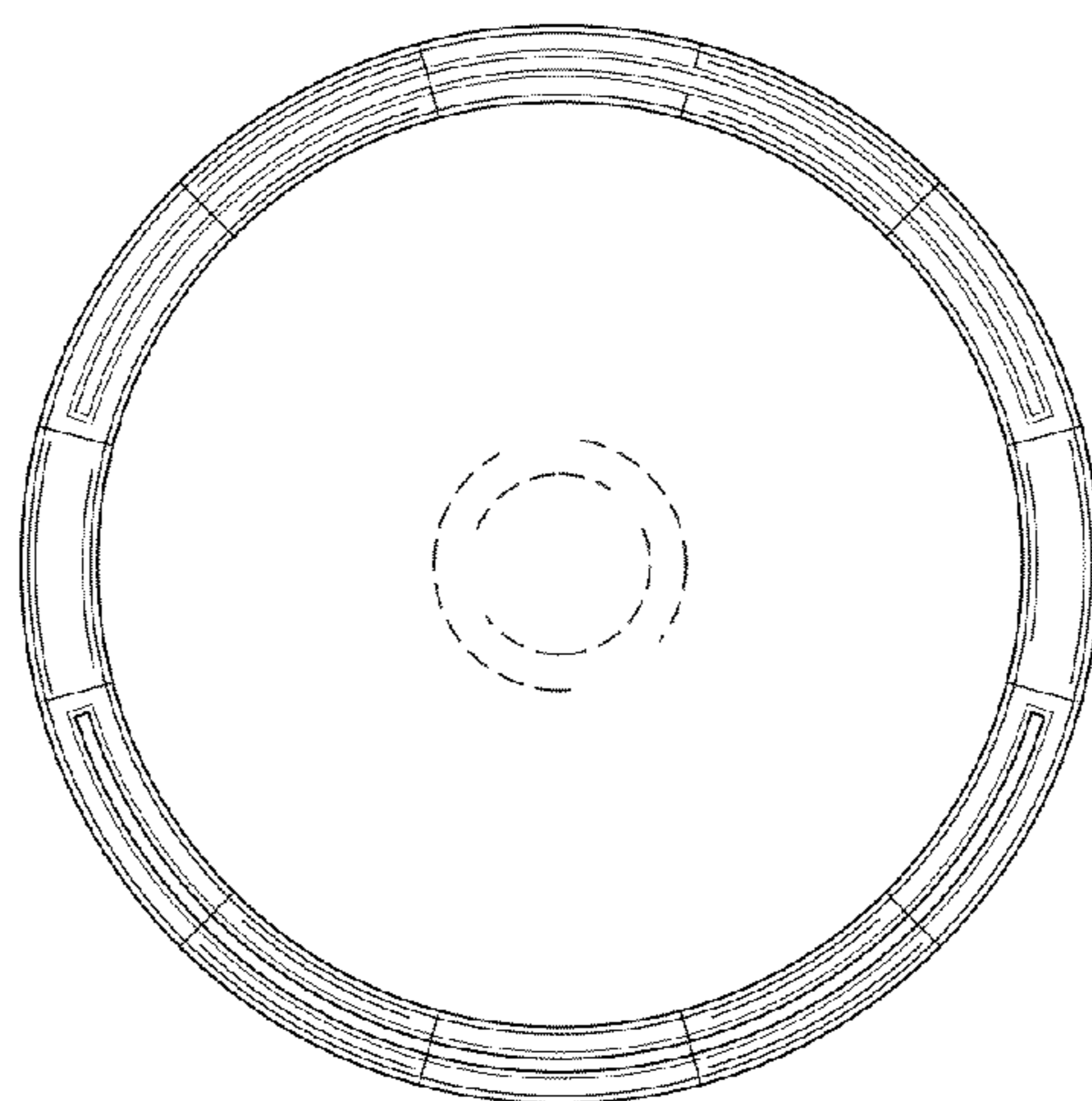


FIG. 2

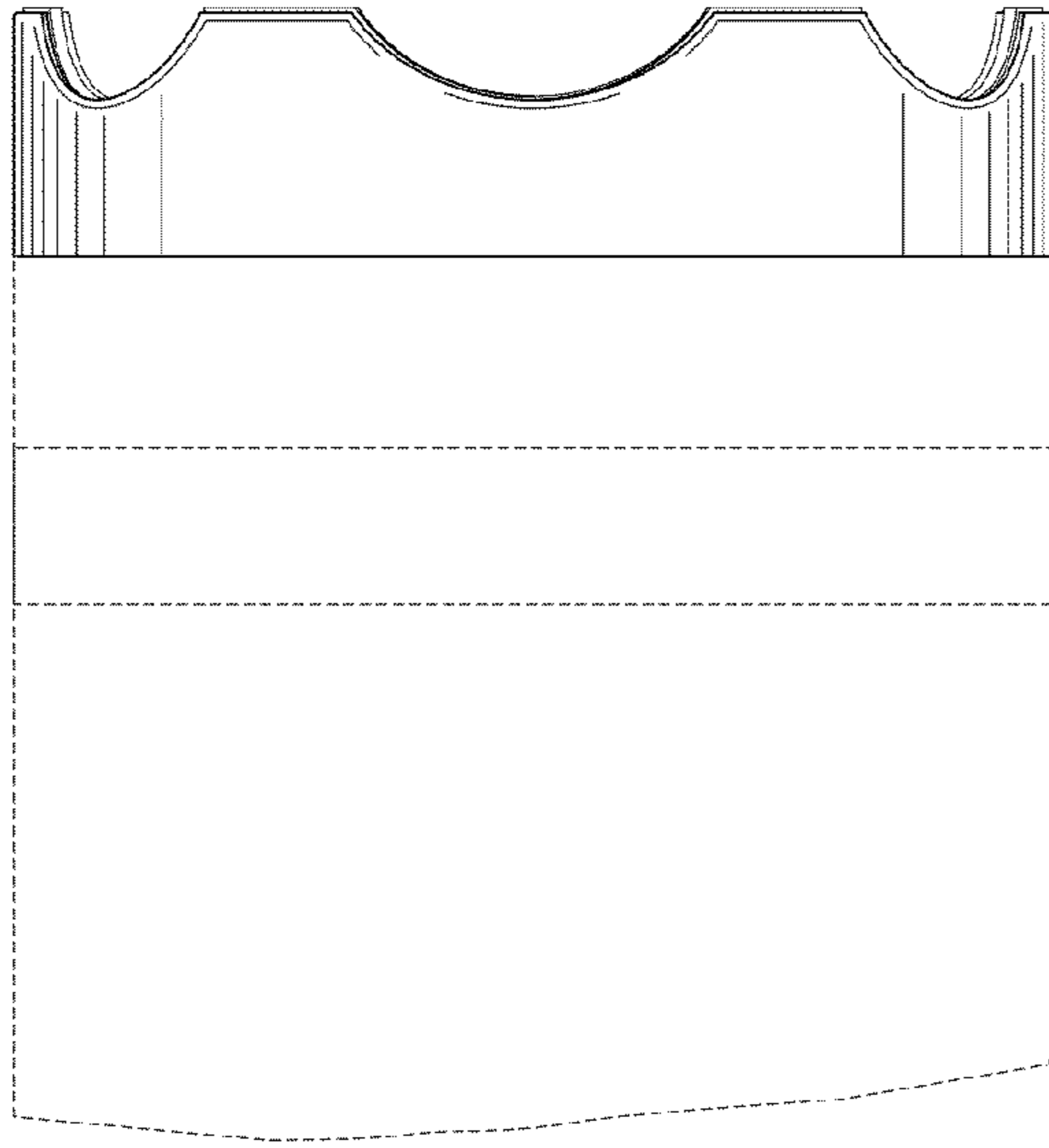


FIG. 3

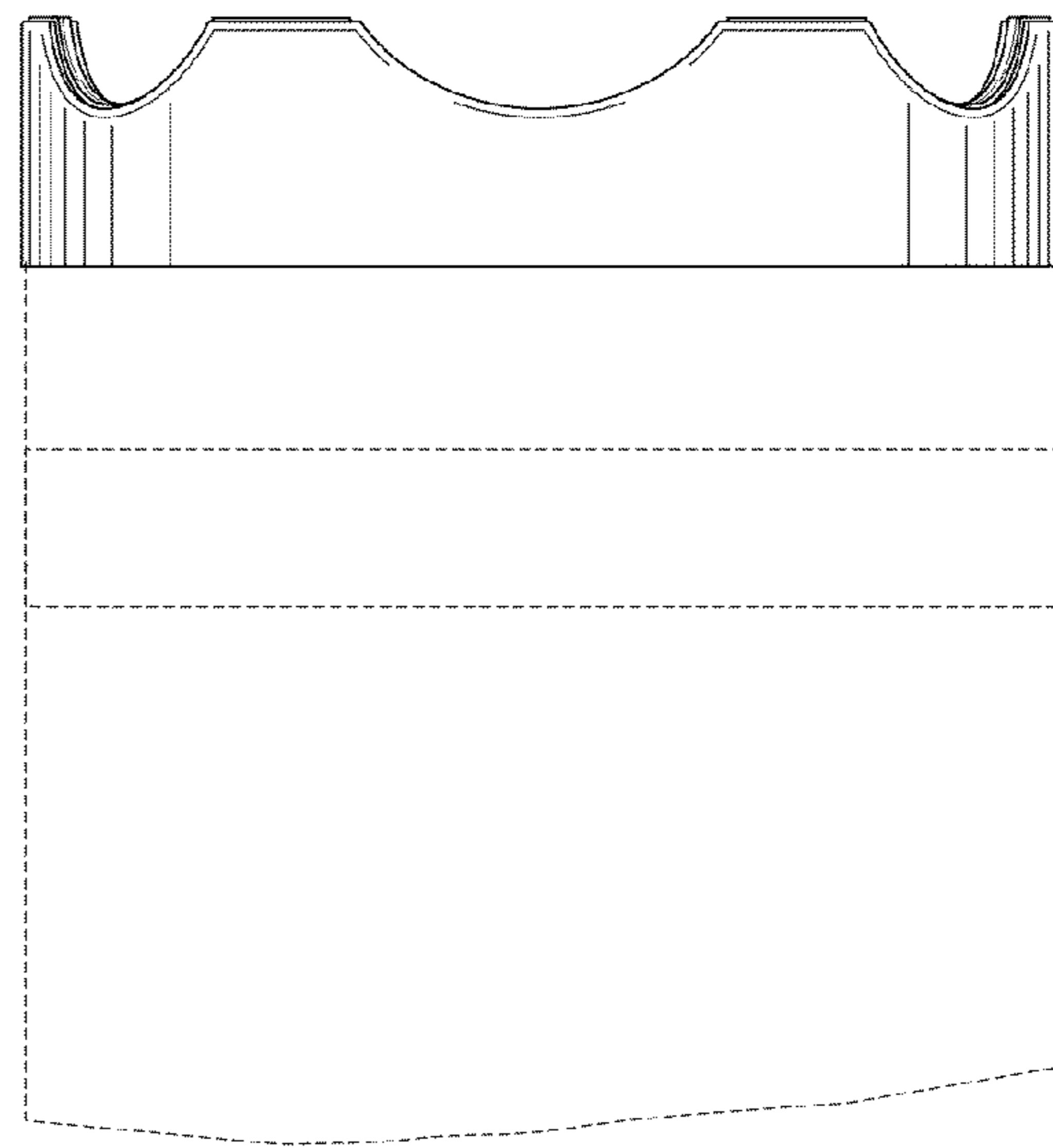


FIG. 4