



US00D742044S

(12) **United States Design Patent**
Kosugi

(10) **Patent No.:** **US D742,044 S**
(45) **Date of Patent:** **** Oct. 27, 2015**

(54) **SIDELIGHT**

(71) Applicant: **KOITO MANUFACTURING CO., LTD.**, Tokyo (JP)

(72) Inventor: **Kazutaka Kosugi**, Shizuoka (JP)

(73) Assignee: **KOITO MANUFACTURING CO., LTD.**, Tokyo (JP)

(**) Term: **14 Years**

(21) Appl. No.: **29/490,959**

(22) Filed: **May 15, 2014**

(30) **Foreign Application Priority Data**

Nov. 15, 2013 (JP) 2013-26776

(51) **LOC (10) Cl.** **26-06**

(52) **U.S. Cl.**
USPC **D26/28**

(58) **Field of Classification Search**

USPC D26/28-36, 39, 60-66, 121, 138-140,
D26/142; 362/84, 341, 459-468, 473,
362/475-478, 485-487, 511, 523;
D12/187-189; D8/349-356, 363, 373,
D8/380, 381; D10/104.1, 111, 113.4,
D10/114.1, 114.2, 114.3, 114.9, 115
CPC F21V 15/01; F21V 15/013; F21V 21/02;
F21V 21/04; F21V 7/0008

See application file for complete search history.

(56) **References Cited**

U.S. PATENT DOCUMENTS

D242,780	S	*	12/1976	Kelley	D10/114.1
D279,165	S	*	6/1985	Smith	D8/354
D539,117	S	*	3/2007	Sealey et al.	D8/349
D563,205	S	*	3/2008	Kuzukawa	D8/354
D594,735	S	*	6/2009	Hofer	D8/349
D621,081	S	*	8/2010	Abernethy et al.	D26/60
D658,478	S	*	5/2012	Wall	D8/349
D669,806	S	*	10/2012	Stein	D10/114.2
D678,565	S	*	3/2013	Janssen	D26/28
D678,566	S	*	3/2013	Janssen	D26/28
D701,466	S	*	3/2014	Clifford et al.	D10/114.2
2010/0033948	A1	*	2/2010	Harbers et al.	362/84
2013/0308294	A1	*	11/2013	Nezu et al.	362/84
2014/0062713	A1	*	3/2014	Skertich et al.	340/815.45
2015/0036318	A1	*	2/2015	Kachala	362/249.02

* cited by examiner

Primary Examiner — Cynthia Ramirez

Assistant Examiner — Llorellys Martinez-Rivera

(74) *Attorney, Agent, or Firm* — Osha Liang LLP

(57) **CLAIM**

The ornamental design for a sidelight, as shown and described.

DESCRIPTION

FIG. 1 shows a front view of a sidelight showing my new design;
FIG. 2 shows a rear view thereof;
FIG. 3 shows a right side elevation view thereof;
FIG. 4 shows a left side elevation view thereof;
FIG. 5 shows a top view thereof;
FIG. 6 shows a bottom view thereof;
FIG. 7 shows a top perspective view thereof; and,
FIG. 8 shows a bottom perspective view thereof.

1 Claim, 8 Drawing Sheets

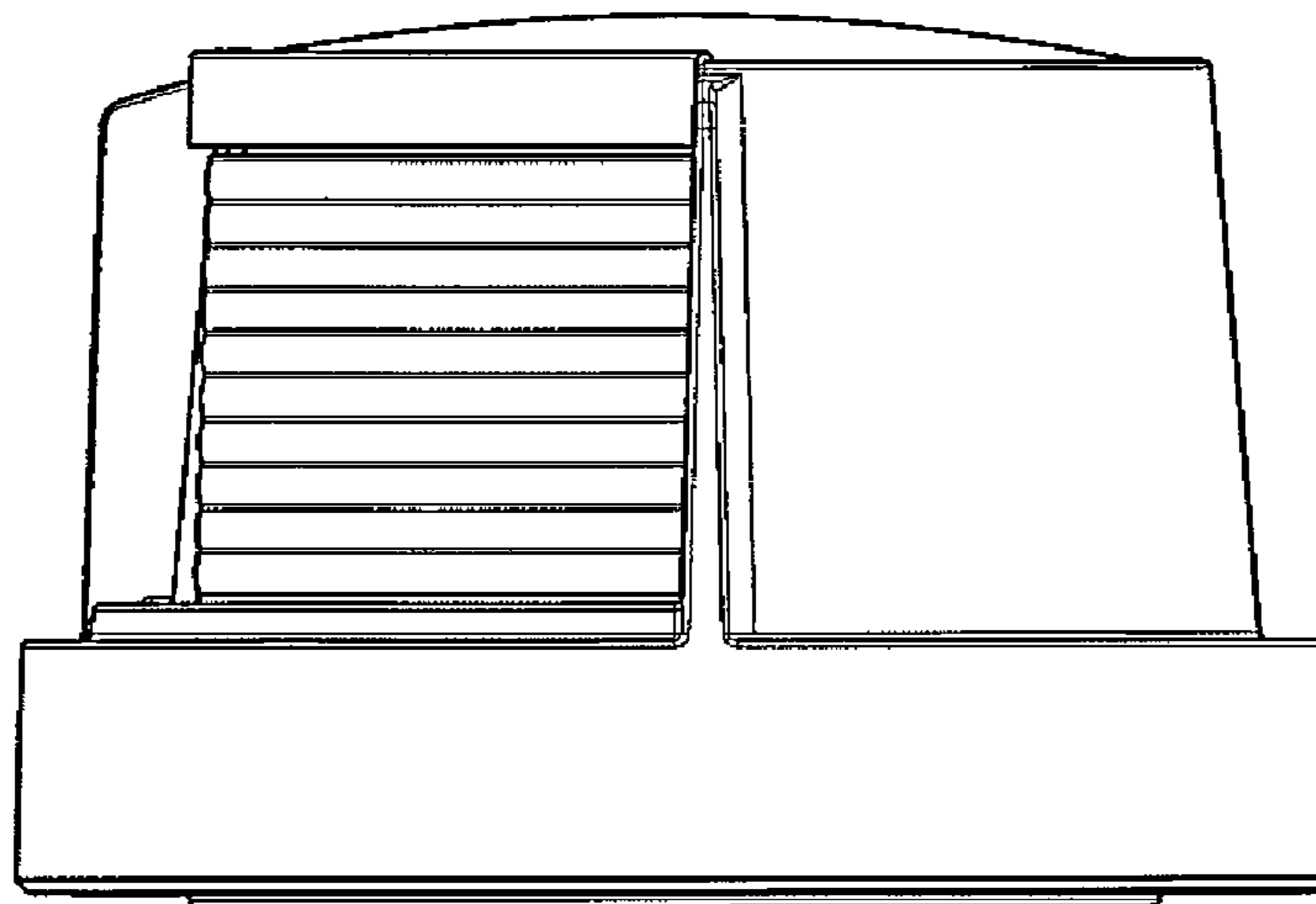


FIG. 1

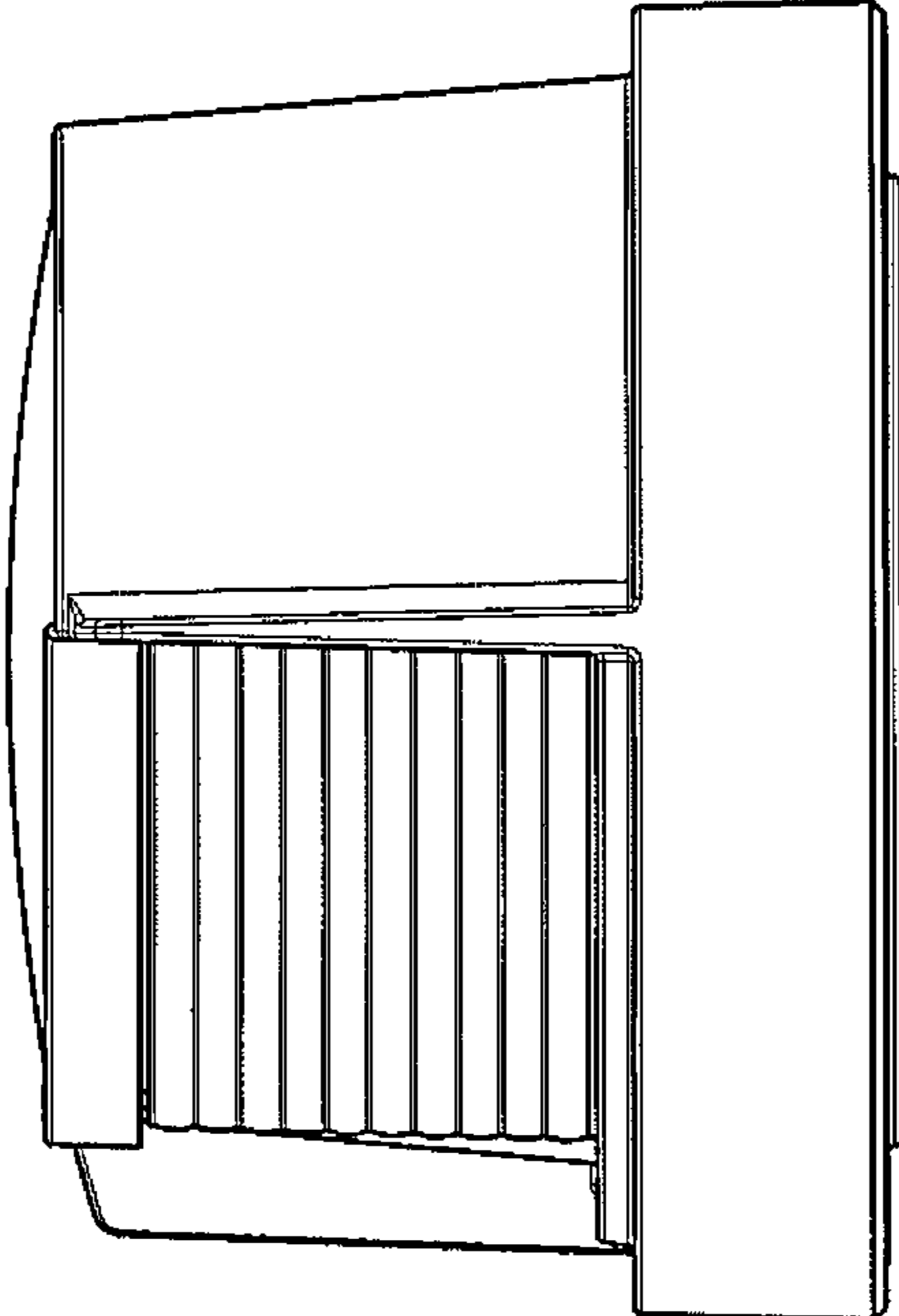


FIG. 2

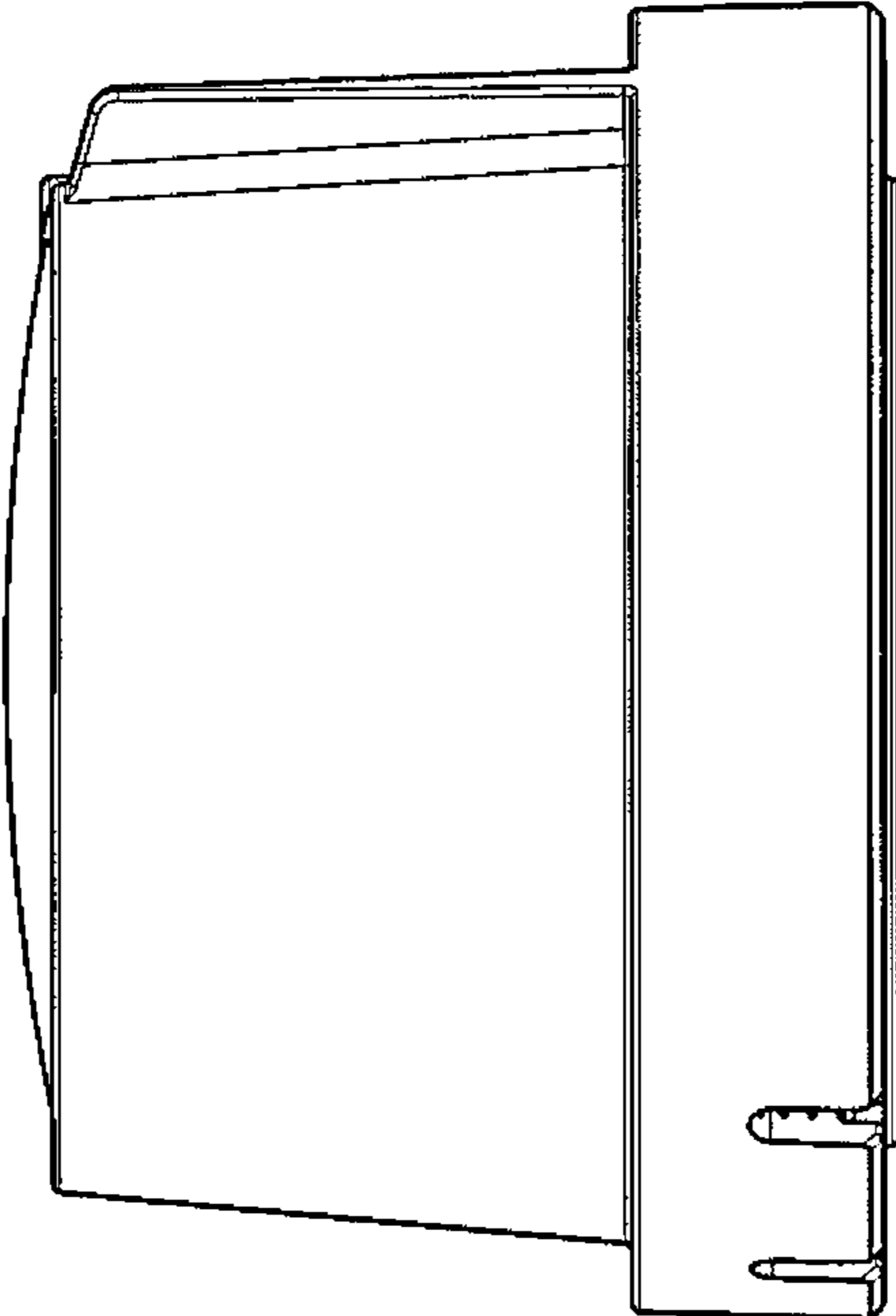
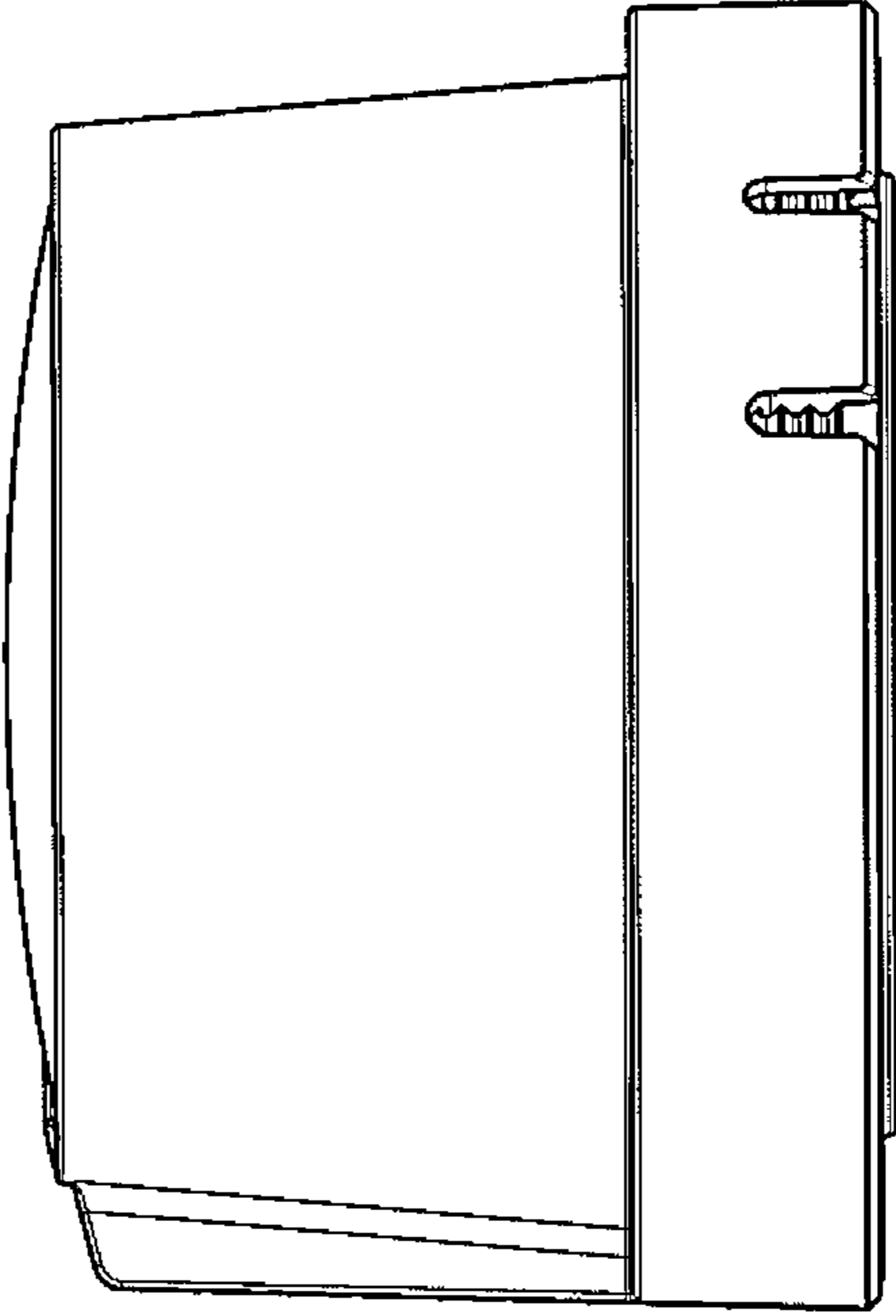


FIG. 3



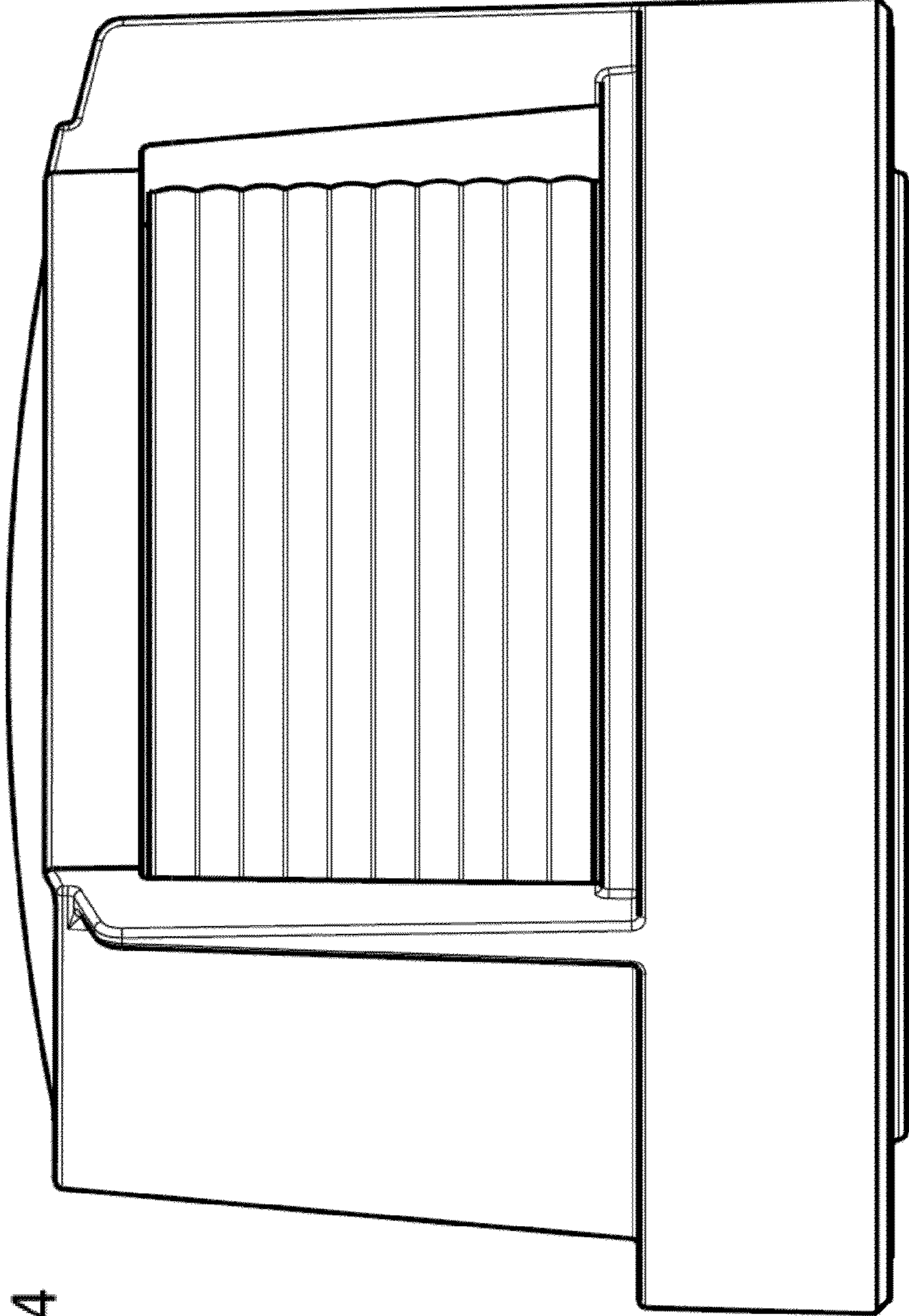


FIG. 4

FIG. 5

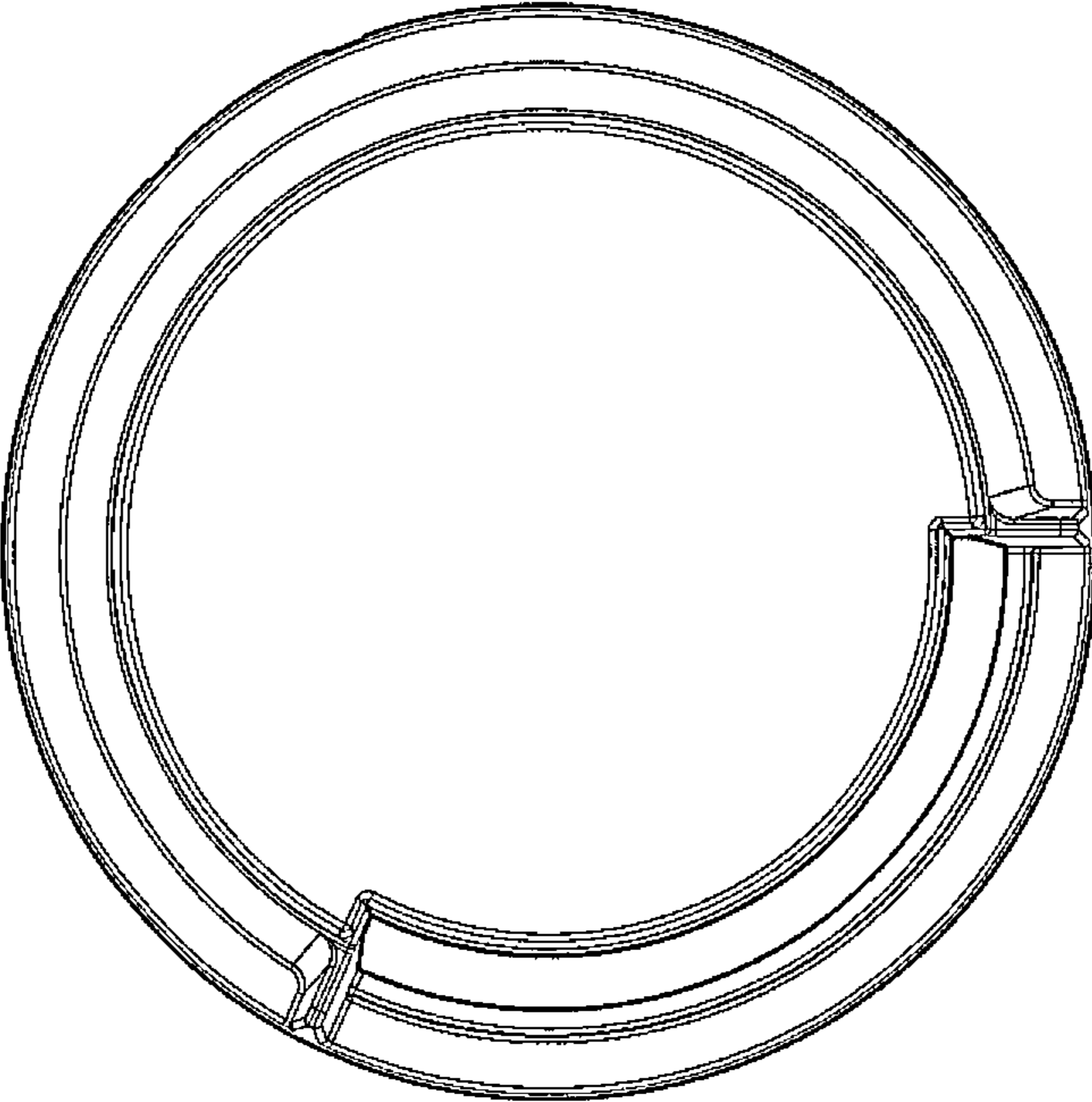


FIG. 6

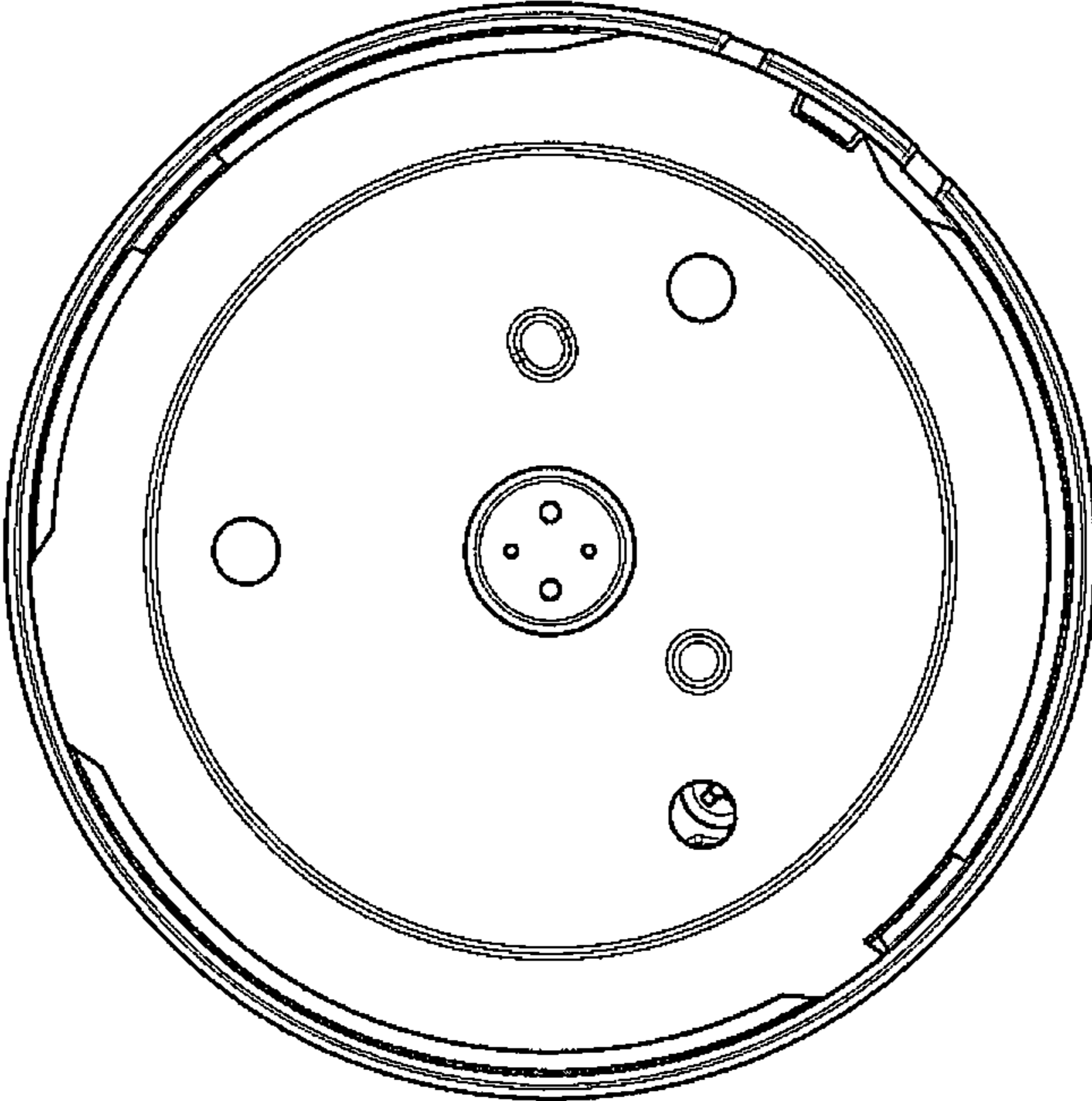


FIG. 7

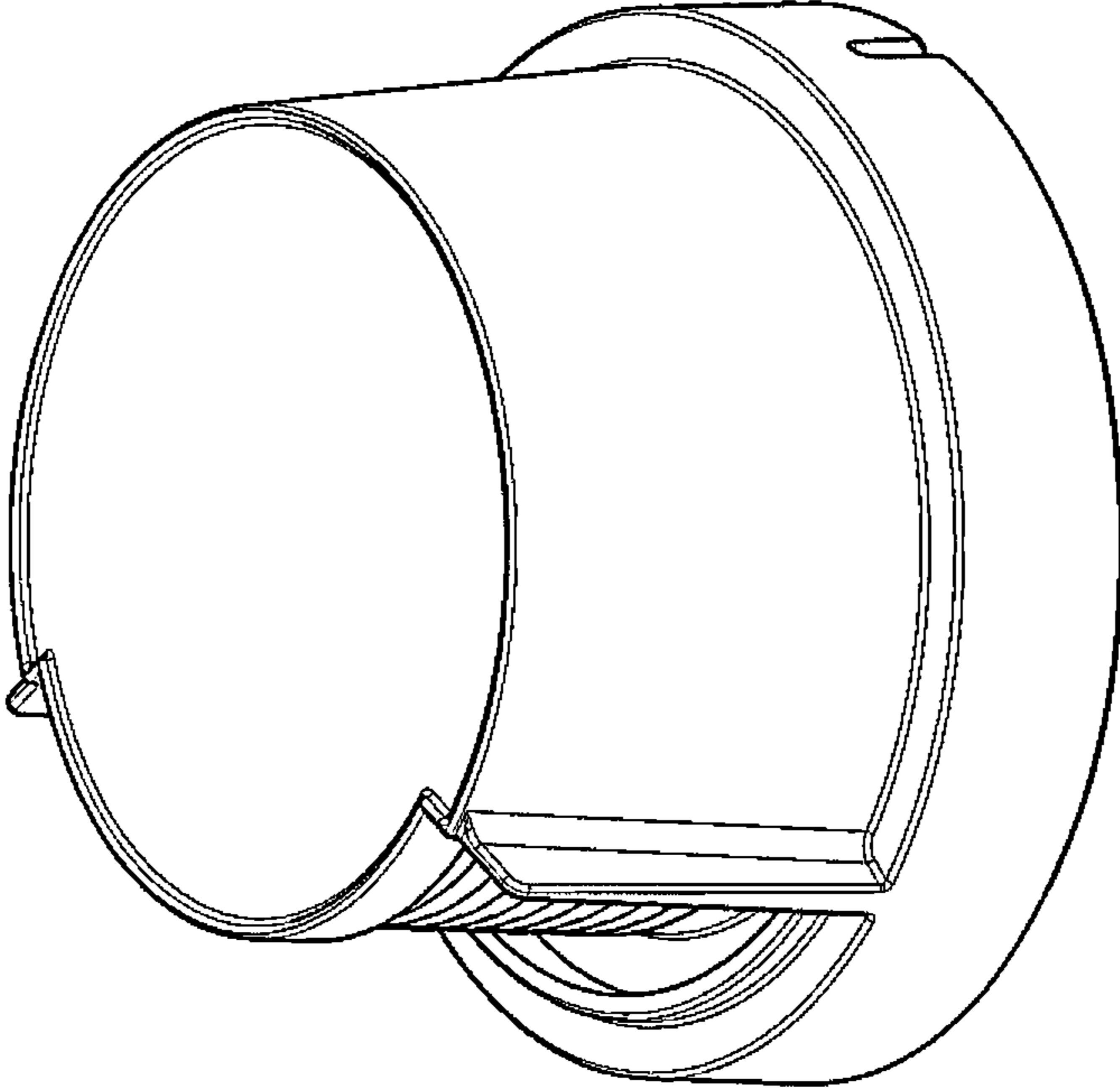


FIG. 8

