



US00D742041S

(12) **United States Design Patent**
Garcia et al.

(10) **Patent No.:** **US D742,041 S**

(45) **Date of Patent:** **** Oct. 27, 2015**

(54) **COMPOSITE FLOATING LIGHT ASSEMBLY**

(71) Applicants: **Pedro F. Garcia**, Sandy Springs, GA (US); **David D. Garcia**, Duluth, GA (US)

(72) Inventors: **Pedro F. Garcia**, Sandy Springs, GA (US); **David D. Garcia**, Duluth, GA (US)

(73) Assignee: **CANDLE ARTISANS, INC.**, Washington, NJ (US)

(**) Term: **14 Years**

(21) Appl. No.: **29/477,382**

(22) Filed: **Dec. 20, 2013**

(51) **LOC (10) Cl.** **26-03**

(52) **U.S. Cl.**
USPC **D26/24; D26/110**

(58) **Field of Classification Search**
USPC **D26/24, 27, 37, 93, 94, 96, 104, 106, D26/110, 112**

CPC **F21S 6/00; F21S 6/002; F21S 6/004; F21S 10/00; F21W 2121/00; F21W 2131/10; F21W 2121/30; F21W 2121/308; F21V 21/02; F21V 21/08; F21V 2200/00**

See application file for complete search history.

(56) **References Cited**

U.S. PATENT DOCUMENTS

5,351,432 A 10/1994 Tse
D384,181 S * 9/1997 Borden D26/110

5,974,721 A 11/1999 Johnson et al.
6,220,718 B1 4/2001 Burgess
6,502,953 B2 1/2003 Hajianpour
6,761,472 B1 7/2004 Cleaver et al.
7,047,687 B2 5/2006 Liu
D535,740 S * 1/2007 Brown et al. D26/24
7,244,038 B2 7/2007 Fotherby
D583,967 S * 12/2008 Leunis D26/24
D647,227 S * 10/2011 Kaule et al. D26/24
D647,228 S * 10/2011 Feigenbaum D26/24
2004/0246703 A1 12/2004 Adams
2005/0047127 A1 3/2005 Tutman
2008/0310149 A1 12/2008 Chan
2011/0280008 A1 11/2011 Bakian
2012/0079755 A1 4/2012 Torres et al.
2013/0107507 A1 5/2013 Tucker et al.

* cited by examiner

Primary Examiner — Brian N Vinson

(74) *Attorney, Agent, or Firm* — Gardner Groff Greenwald & Villanueva, PC

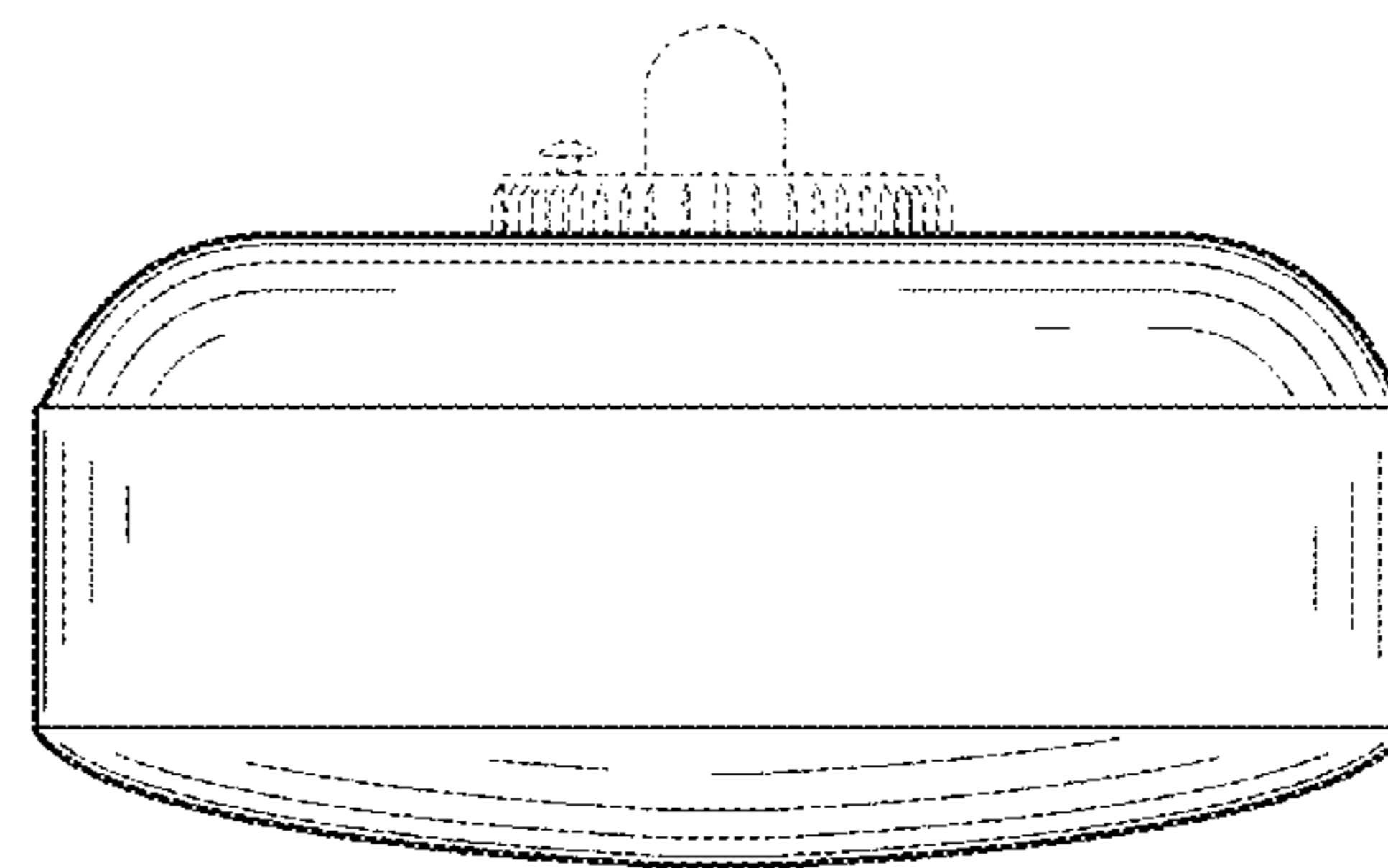
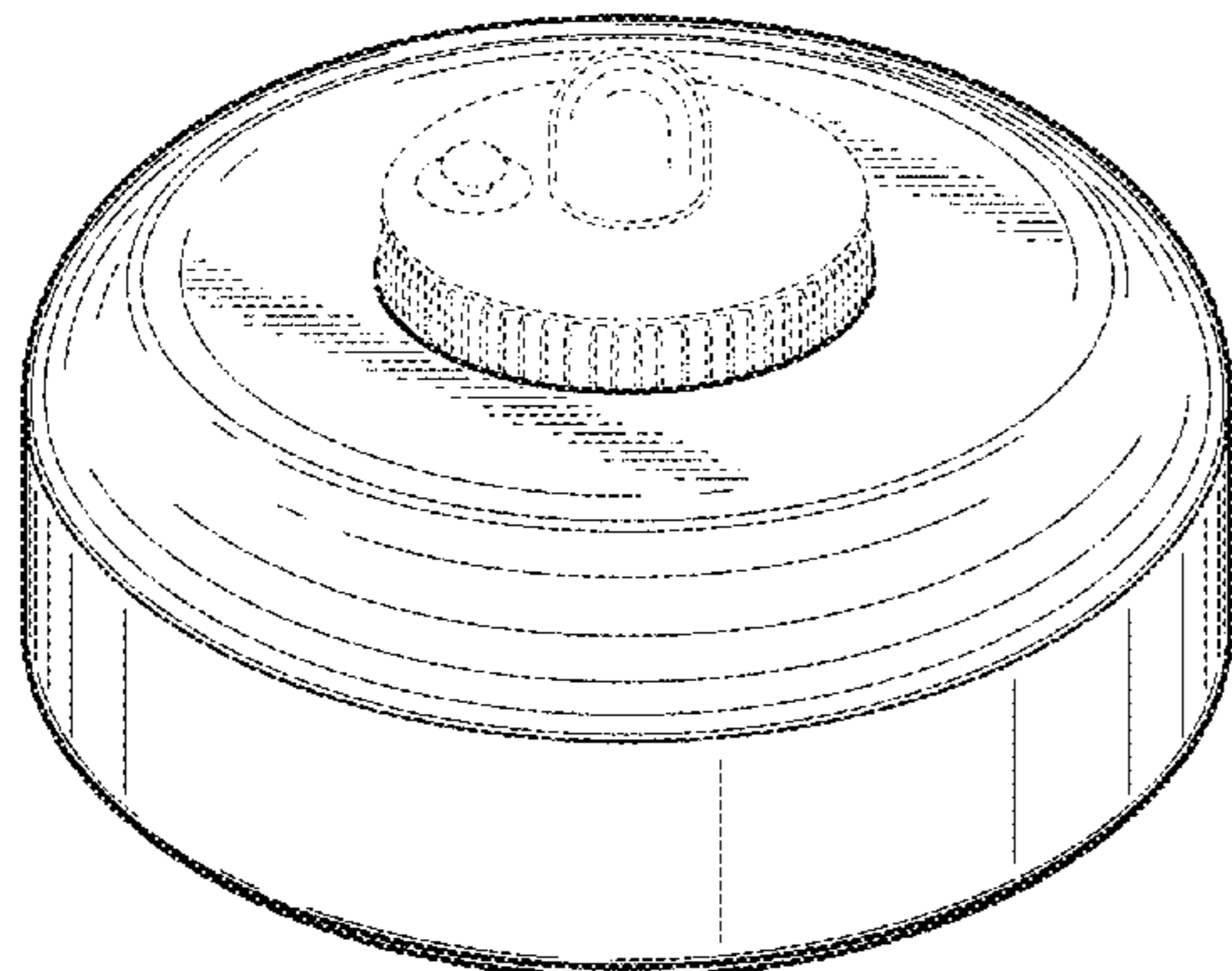
(57) **CLAIM**

The ornamental appearance of a composite floating light assembly, as shown and described.

DESCRIPTION

FIG. 1 is a perspective view of a composite floating light assembly showing our new design; FIG. 2 is a front elevational view thereof, the sides adjacent and rear being identical in appearance; FIG. 3 is a top plan view thereof; and, FIG. 4 is a bottom plan view thereof. The broken line disclosure represents portions of the assembly which form no part of the claim design.

1 Claim, 2 Drawing Sheets



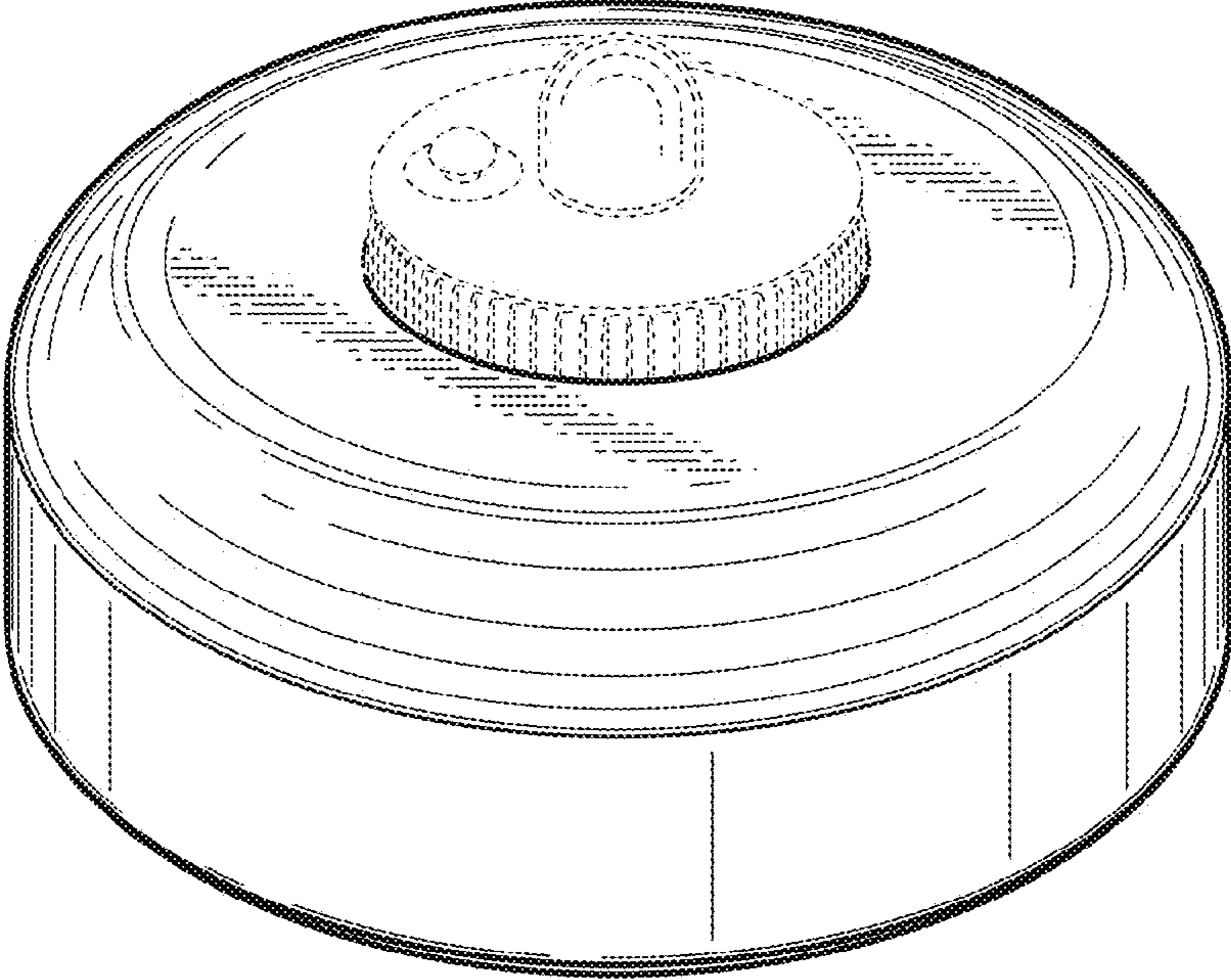


FIG. 1

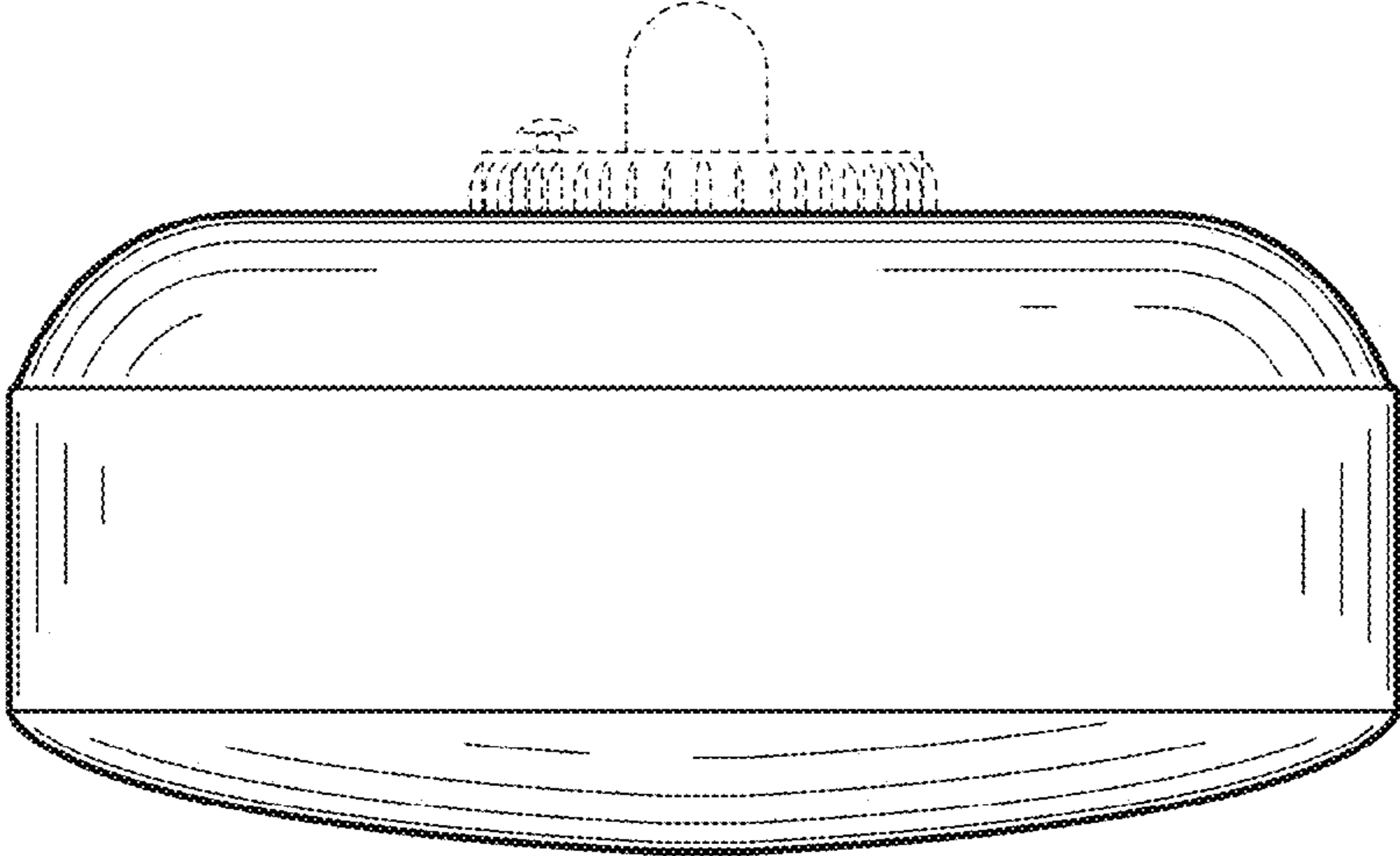


FIG. 2

FIG. 3

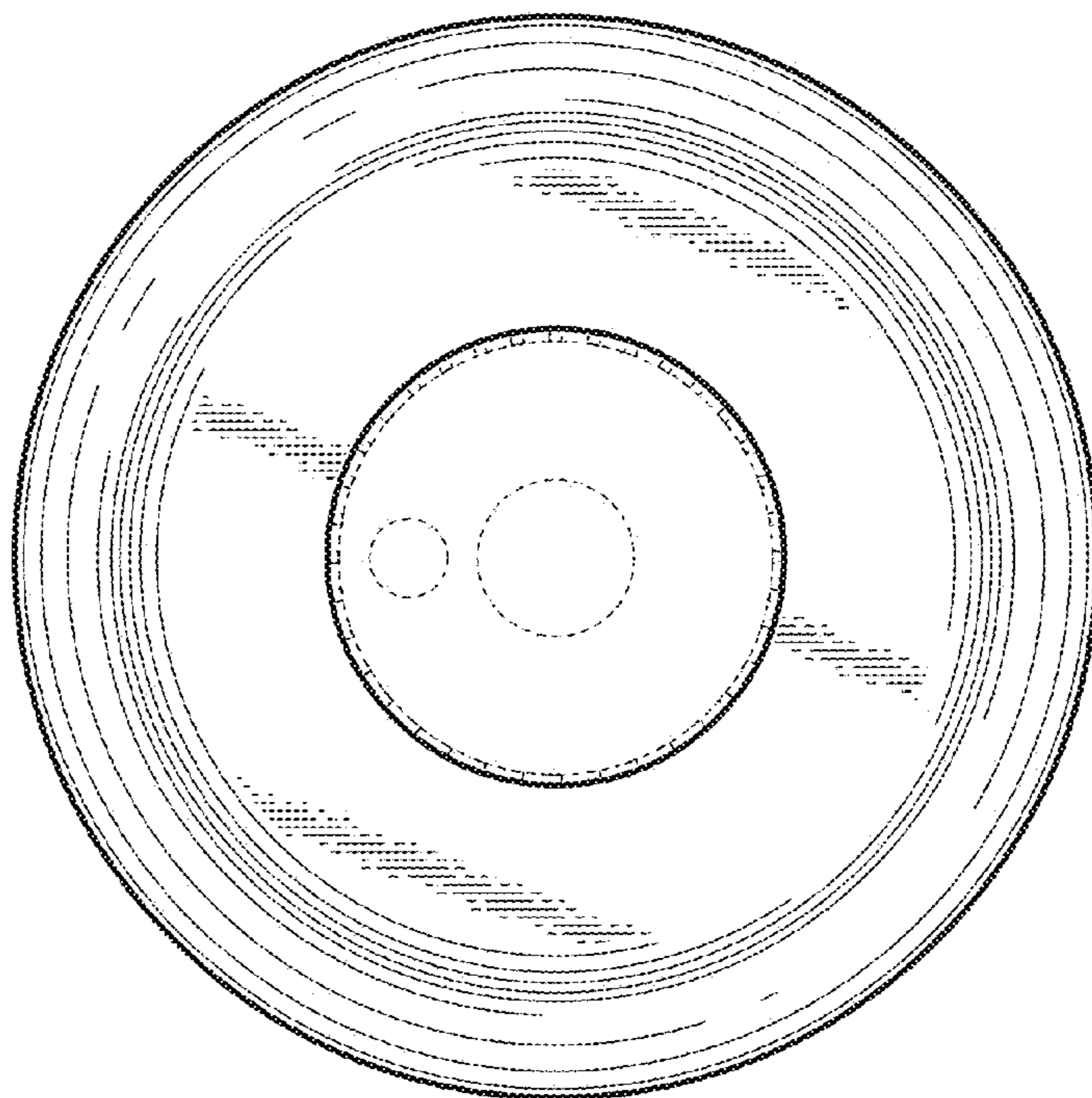


FIG. 4

