



US00D742040S

(12) **United States Design Patent**  
**Davis et al.**

(10) **Patent No.:** **US D742,040 S**  
(45) **Date of Patent:** **\*\* Oct. 27, 2015**

(54) **HOLDER FOR DISPENSER ELEMENT AND  
CANDLE PLATFORM FOR HOLDING A  
CANDLE**

D531,452 S \* 11/2006 Toth ..... D7/523  
D633,229 S \* 2/2011 McWillis ..... D26/9  
2009/0004067 A1 1/2009 Furner et al.  
2012/0148966 A1\* 6/2012 Ramaker et al. .... 431/292  
2012/0251962 A1 10/2012 White

(71) Applicant: **S.C. Johnson & Son, Inc.**, Racine, WI  
(US)

**OTHER PUBLICATIONS**

(72) Inventors: **Brian T. Davis**, Burlington, WI (US);  
**Shih-Tung Chang**, Brookline, MA (US);  
**Jacob S. Childs**, Los Angeles, CA (US);  
**Michel D. Arney**, Wellesley, MA (US)

An Oct. 3, 2013 web site excerpt showing a totalbeerenlightenment advertisement for a beer glass.

\* cited by examiner

(73) Assignee: **S.C. Johnson & Son, Inc.**, Racine, WI  
(US)

*Primary Examiner* — T. Chase Nelson  
*Assistant Examiner* — Ania Aman

(\*\*) Term: **14 Years**

(57) **CLAIM**

The ornamental design for a holder for dispenser element and candle platform for holding a candle, as shown and described.

(21) Appl. No.: **29/492,182**

**DESCRIPTION**

(22) Filed: **May 29, 2014**

(51) **LOC (10) Cl.** ..... **26-01**

(52) **U.S. Cl.**  
USPC ..... **D26/10**

(58) **Field of Classification Search**  
USPC ..... D26/22, 9, 1, 19, 20, 52, 6, 10, 11, 12,  
D26/13, 14, 15, 16, 7, 23, 96, 101, 102,  
D26/116; 431/589, 290–295, 288, 125, 126,  
431/366, 369; 392/418, 390, 403–406  
See application file for complete search history.

FIG. 1 is an upper frontal perspective view of a holder for dispenser element and candle showing our new design; FIG. 2 is a front elevational, and also a rear elevational, view thereof; FIG. 3 is a right side elevational, and also left side elevational, view thereof; FIG. 4 is a top plan view thereof; and, FIG. 5 is a bottom plan view thereof.

The broken lines shown in the drawings are for the purpose of illustrating portions of the article that form no part of the claimed design.

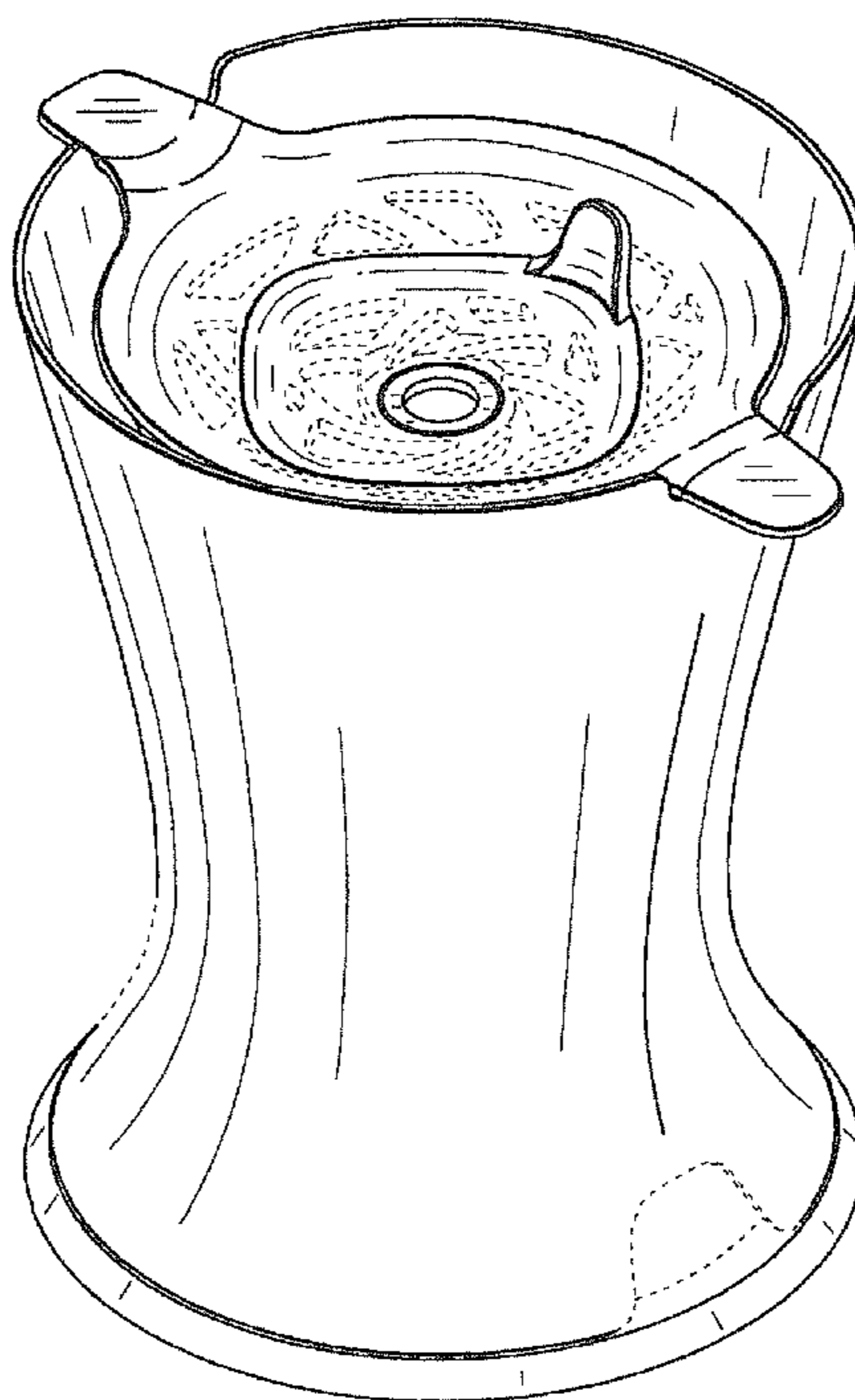
In a preferred embodiment the holder is useful in connection with supporting and/or housing a candle in a manner that facilitates the dispensing of an air treatment chemical, such as an insect repellent, from a substrate bearing the chemical.

(56) **References Cited**

**U.S. PATENT DOCUMENTS**

4,781,895 A 11/1988 Spector  
5,090,892 A \* 2/1992 Chuang ..... 431/125

**1 Claim, 4 Drawing Sheets**



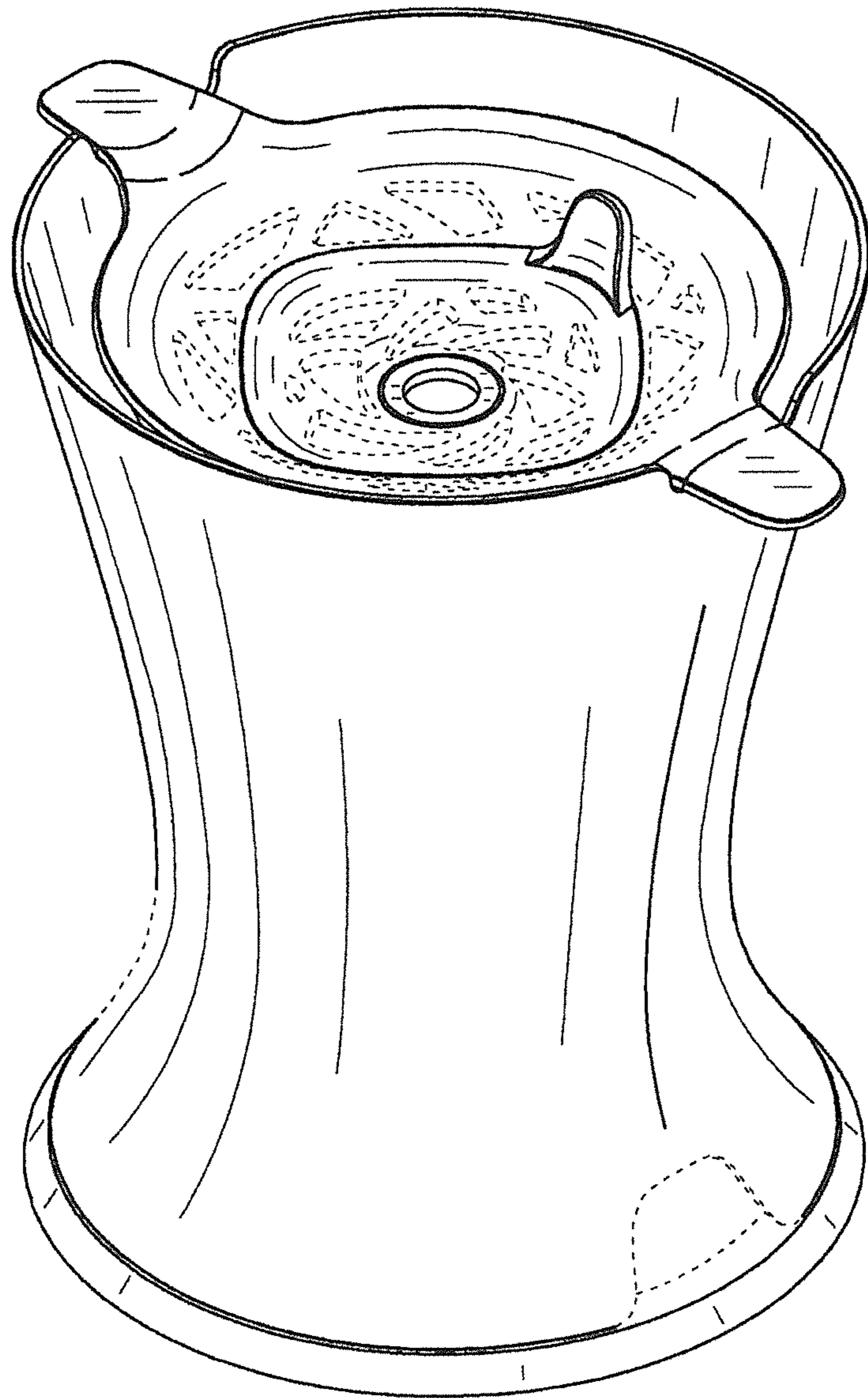


FIG. 1

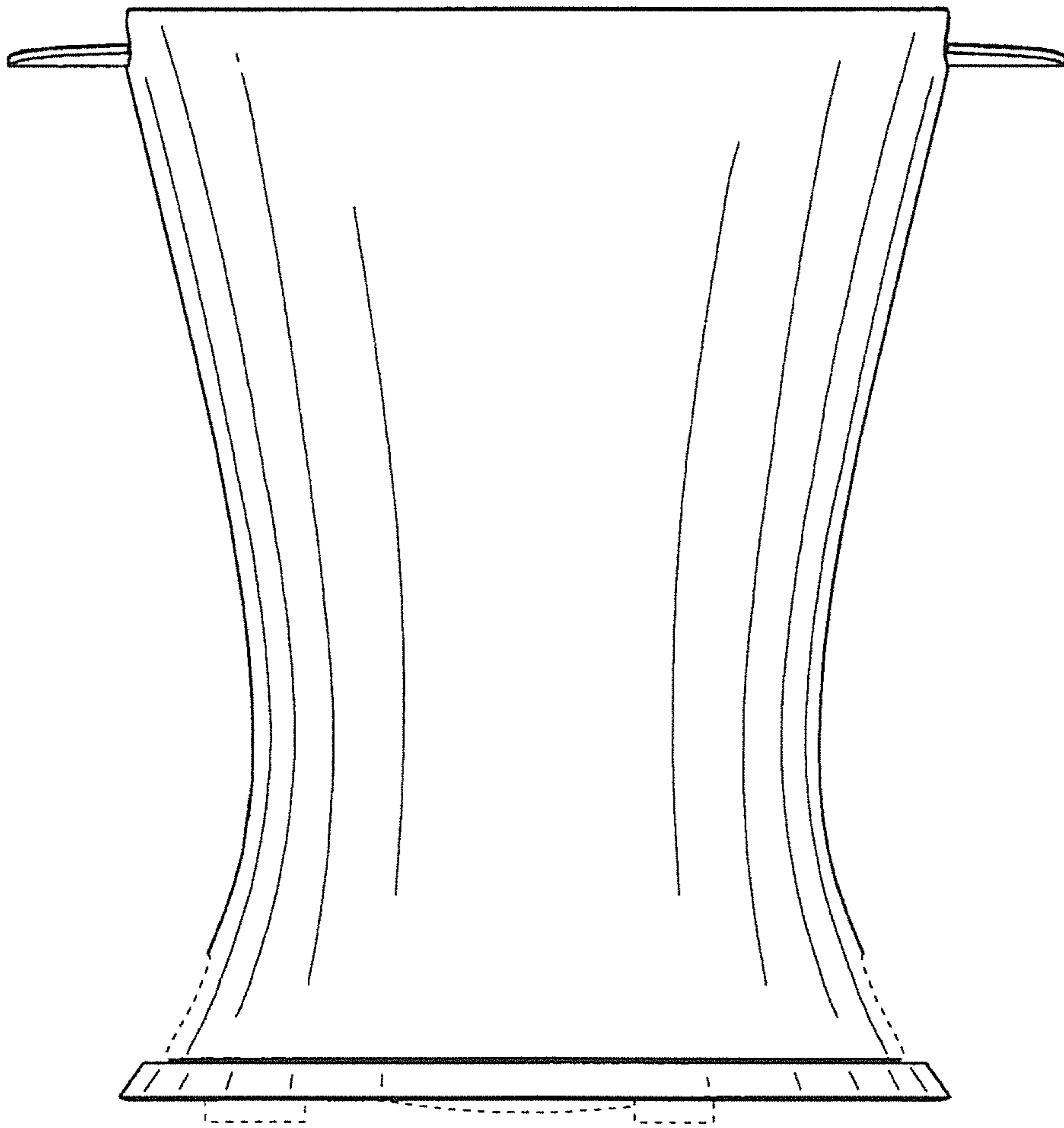


FIG. 2

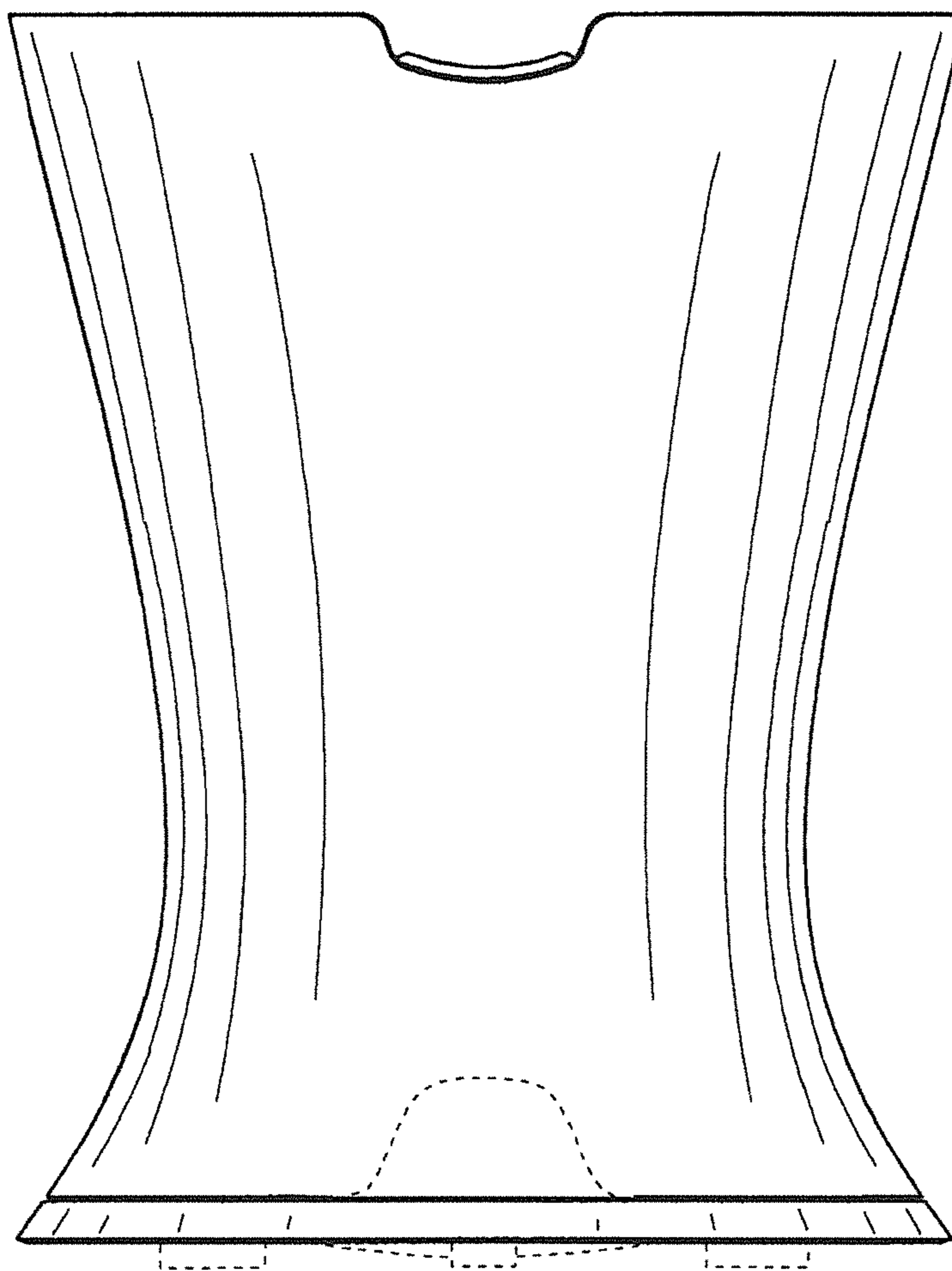


FIG. 3



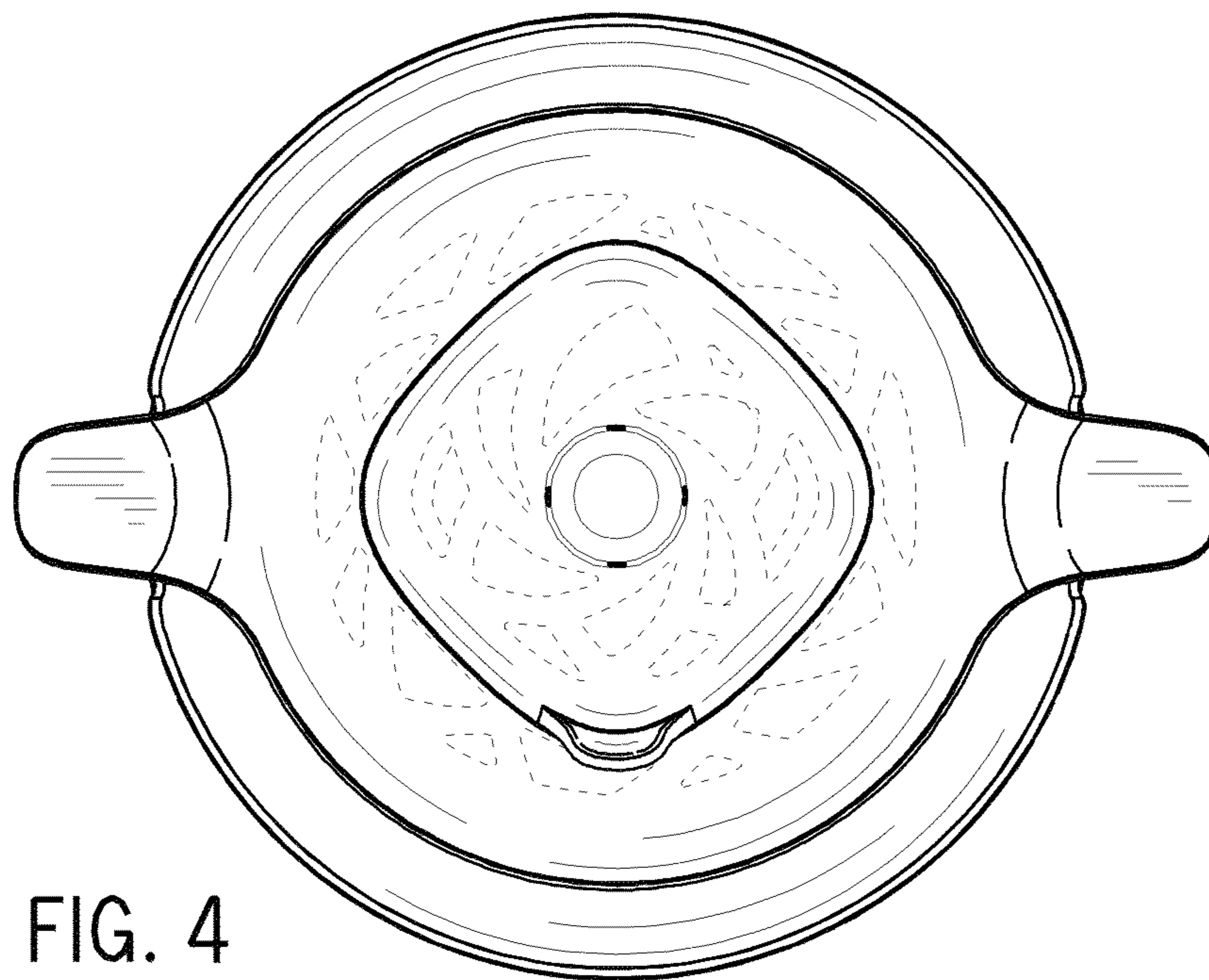


FIG. 4

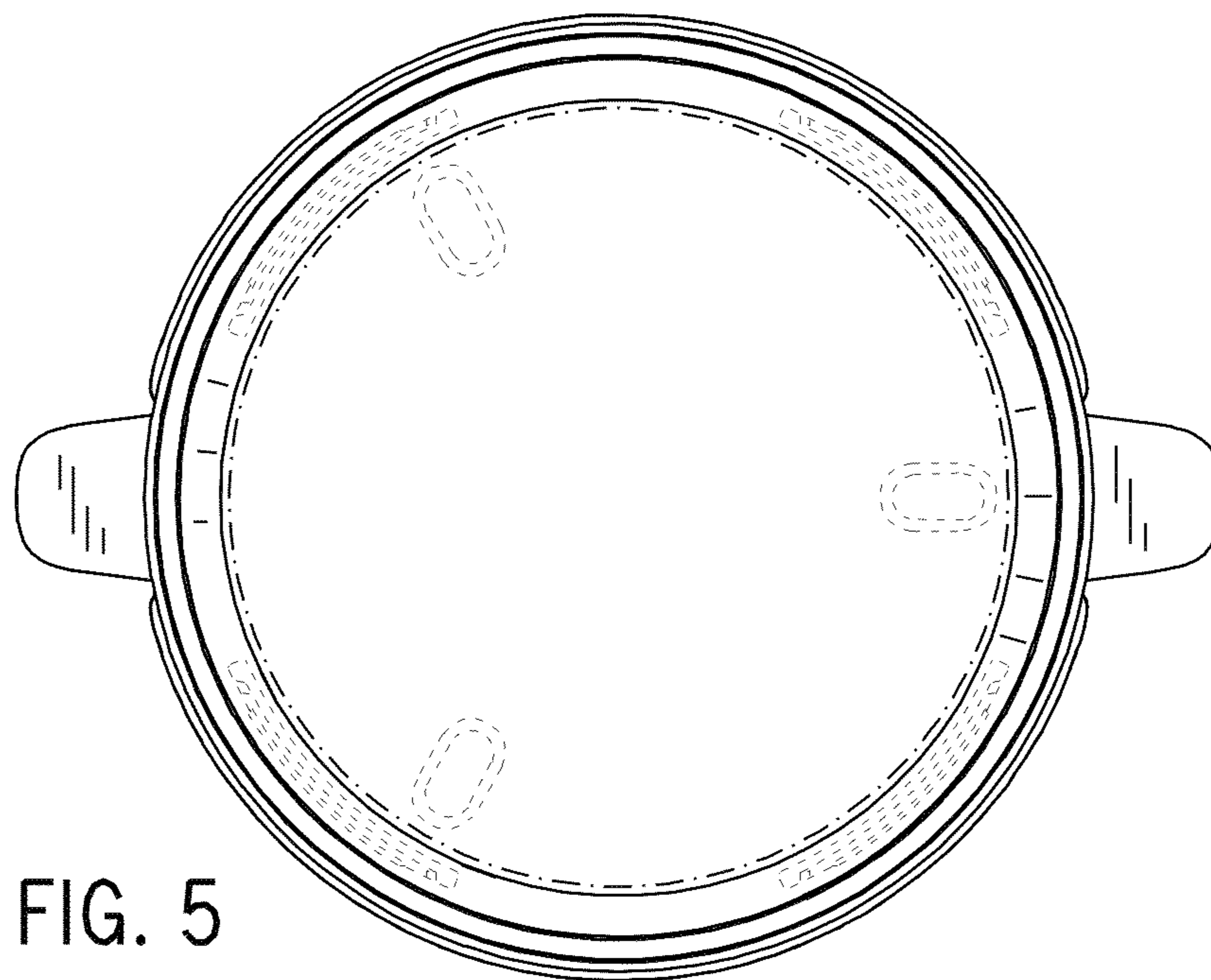


FIG. 5