



US00D742039S

(12) **United States Design Patent**  
**Yu**

(10) **Patent No.:** **US D742,039 S**  
(45) **Date of Patent:** **\*\* Oct. 27, 2015**

(54) **LAMP BULB**

(71) Applicant: **OPPLE LIGHTING CO., LTD,**  
Shanghai (CN)

(72) Inventor: **Yuting Yu,** Shanghai (CN)

(73) Assignee: **OPPLE LIGHTING CO., LTD,**  
Suzhou, Jiangsu Province (CN)

(\*\*) Term: **14 Years**

(21) Appl. No.: **29/501,846**

(22) Filed: **Sep. 9, 2014**

(30) **Foreign Application Priority Data**

Aug. 11, 2014 (CN) ..... 2014 3 0281168

(51) **LOC (10) Cl.** ..... **26-04**

(52) **U.S. Cl.**  
USPC ..... **D26/2**

(58) **Field of Classification Search**  
USPC ..... D26/1-4; 313/313, 315, 316, 317, 318,  
313/493; 315/52, 53, 56, 57, 58

See application file for complete search history.

(56) **References Cited**

U.S. PATENT DOCUMENTS

D531,741 S *	11/2006	Takahashi	.....	D26/2
D538,950 S *	3/2007	Maxik	.....	D26/2
D538,953 S *	3/2007	Mama	.....	D26/2
D548,369 S *	8/2007	Bembridge	.....	D26/2
D549,360 S *	8/2007	An	.....	D26/2
D662,625 S *	6/2012	Yamamoto et al.	.....	D26/2
D673,699 S *	1/2013	Yao et al.	.....	D26/2

\* cited by examiner

*Primary Examiner* — Marcus Jackson

(74) *Attorney, Agent, or Firm* — Jacobson Holman PLLC;  
Jiwen Chen

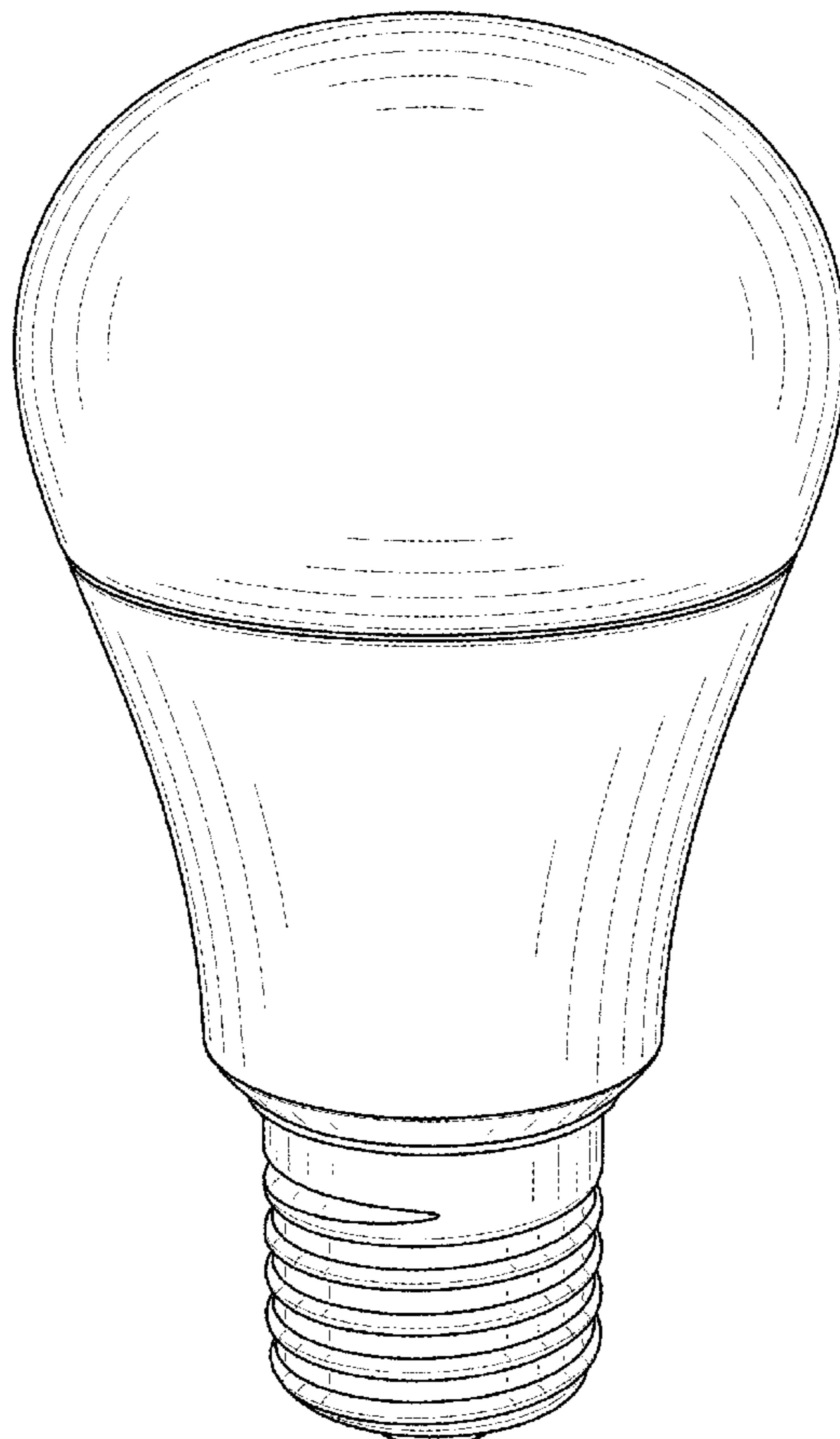
(57) **CLAIM**

The ornamental design for the lamp bulb, as shown and described.

**DESCRIPTION**

FIG. 1 is a perspective view of the lamp showing the design;  
FIG. 2 is a front elevational view thereof;  
FIG. 3 is a rear elevational view thereof;  
FIG. 4 is a right side view thereof;  
FIG. 5 is a left side view thereof;  
FIG. 6 is a top plan view thereof; and,  
FIG. 7 is a bottom plan view thereof.

**1 Claim, 6 Drawing Sheets**



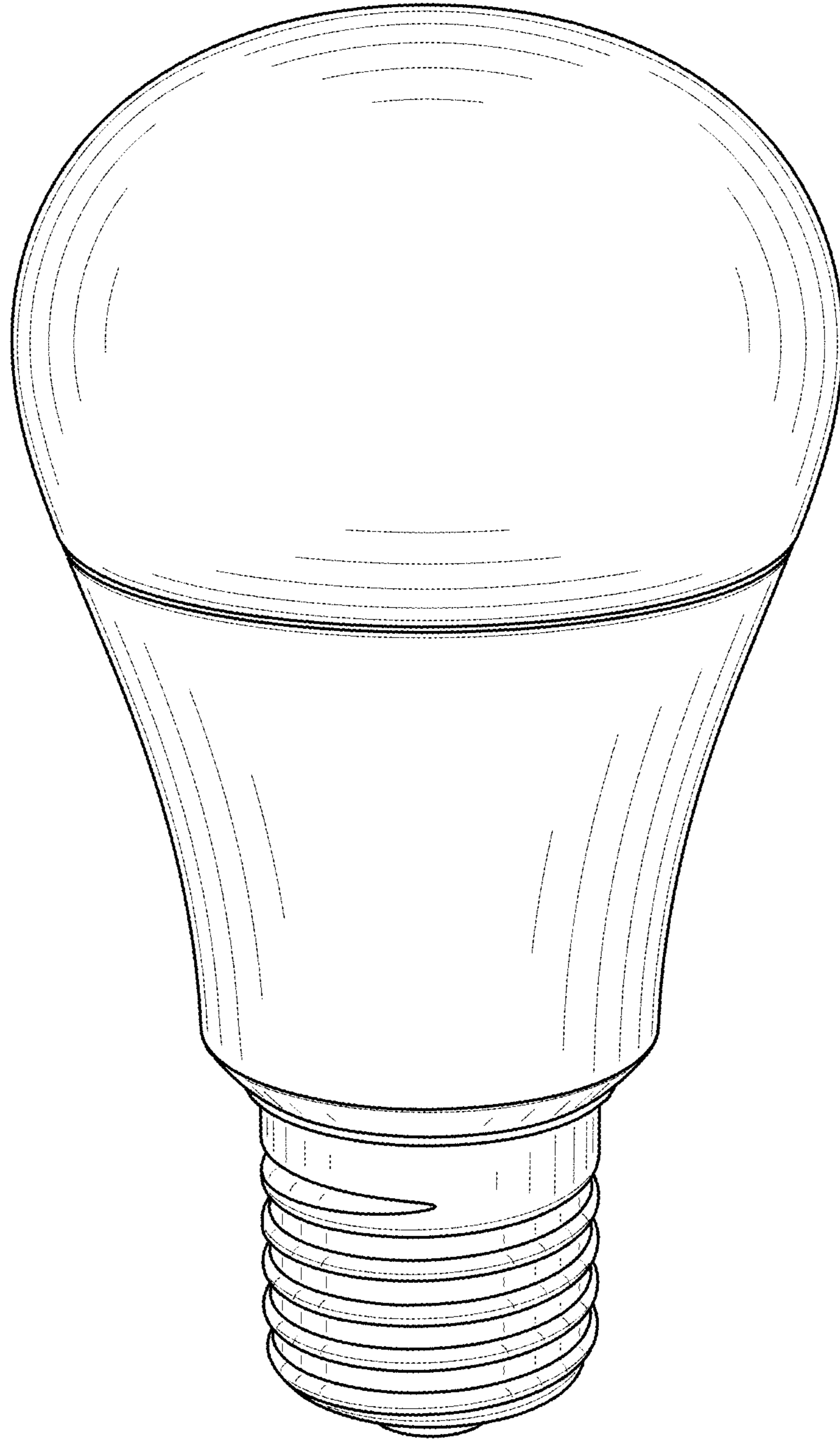


FIG. 1

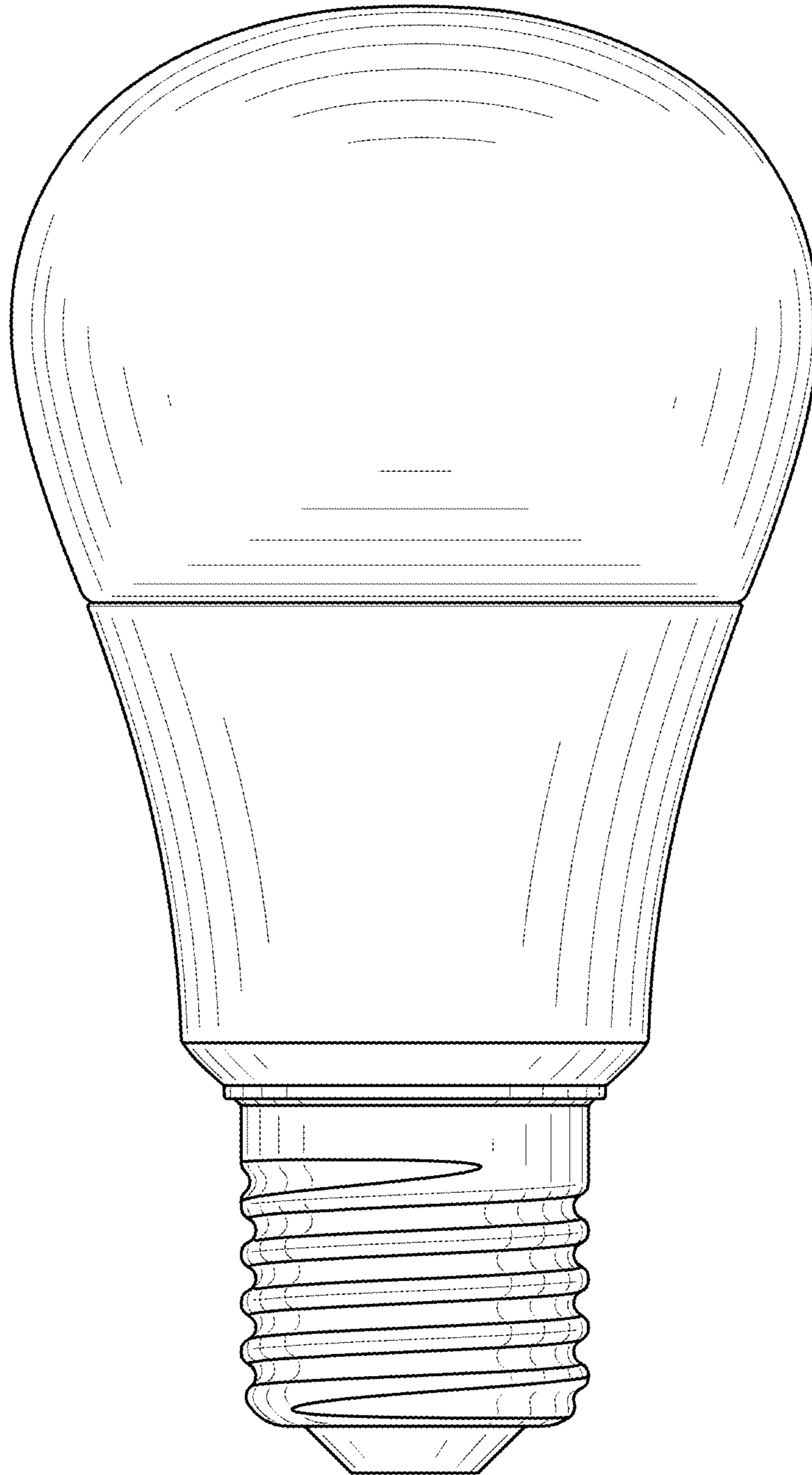


FIG. 2

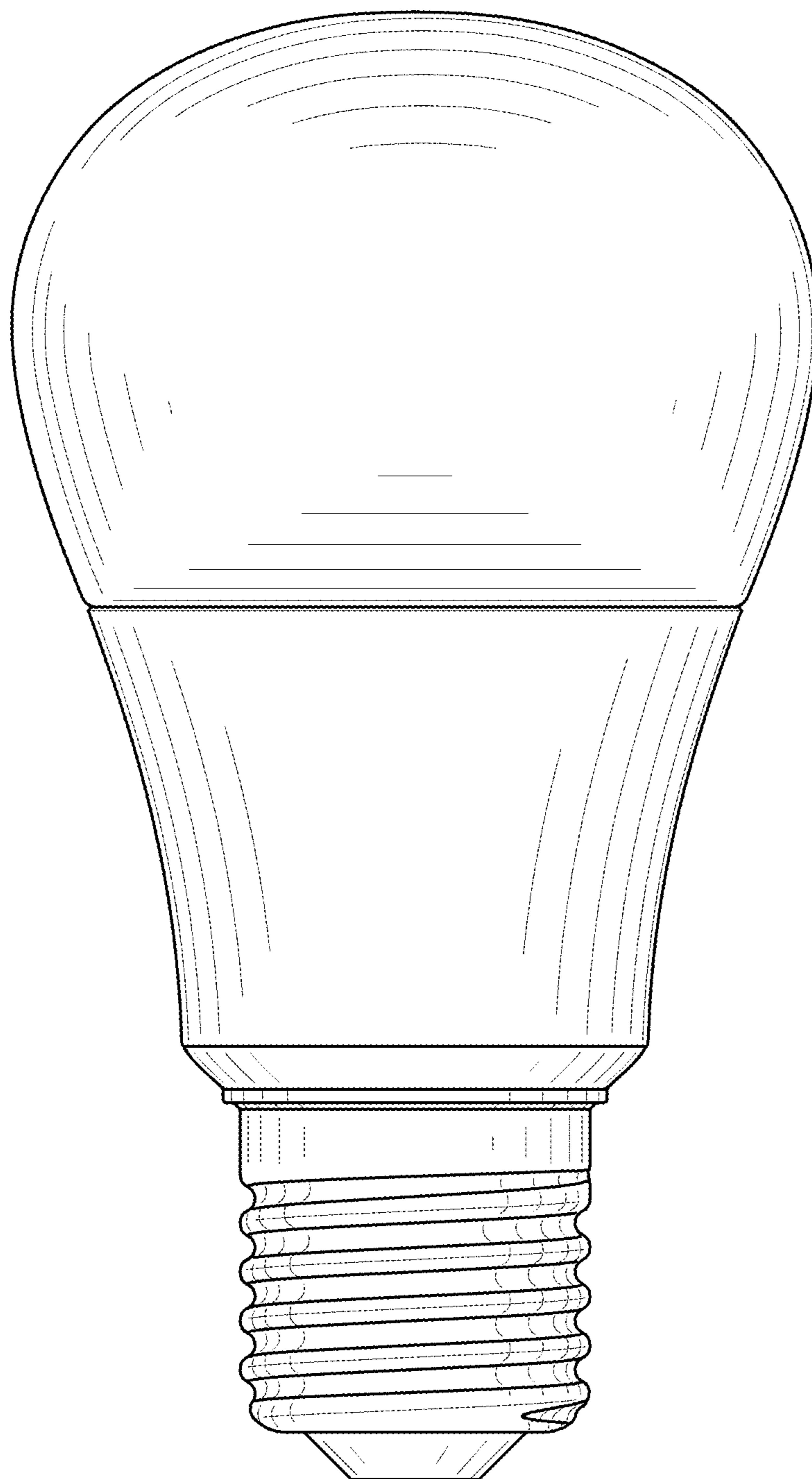


FIG. 3

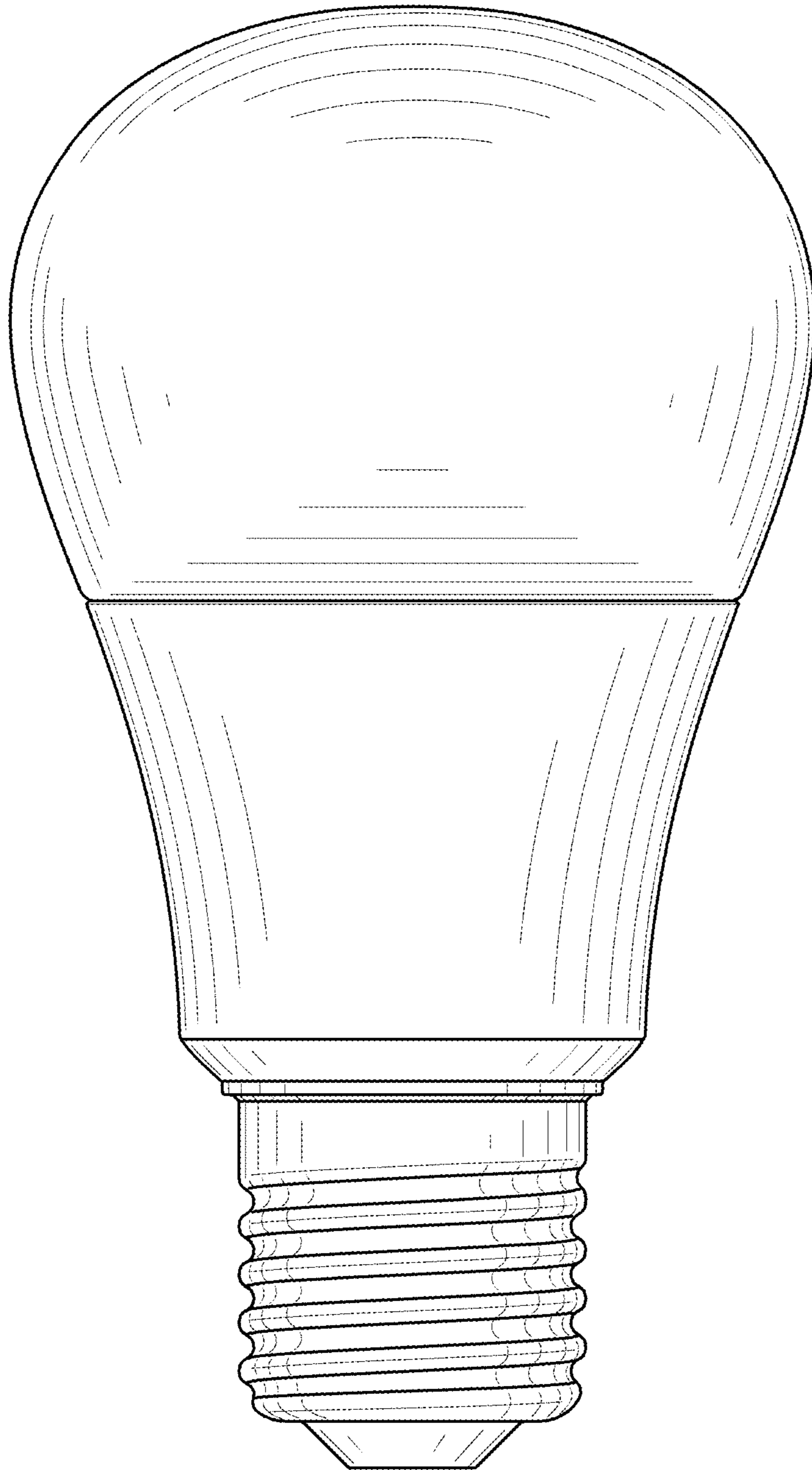


FIG. 4

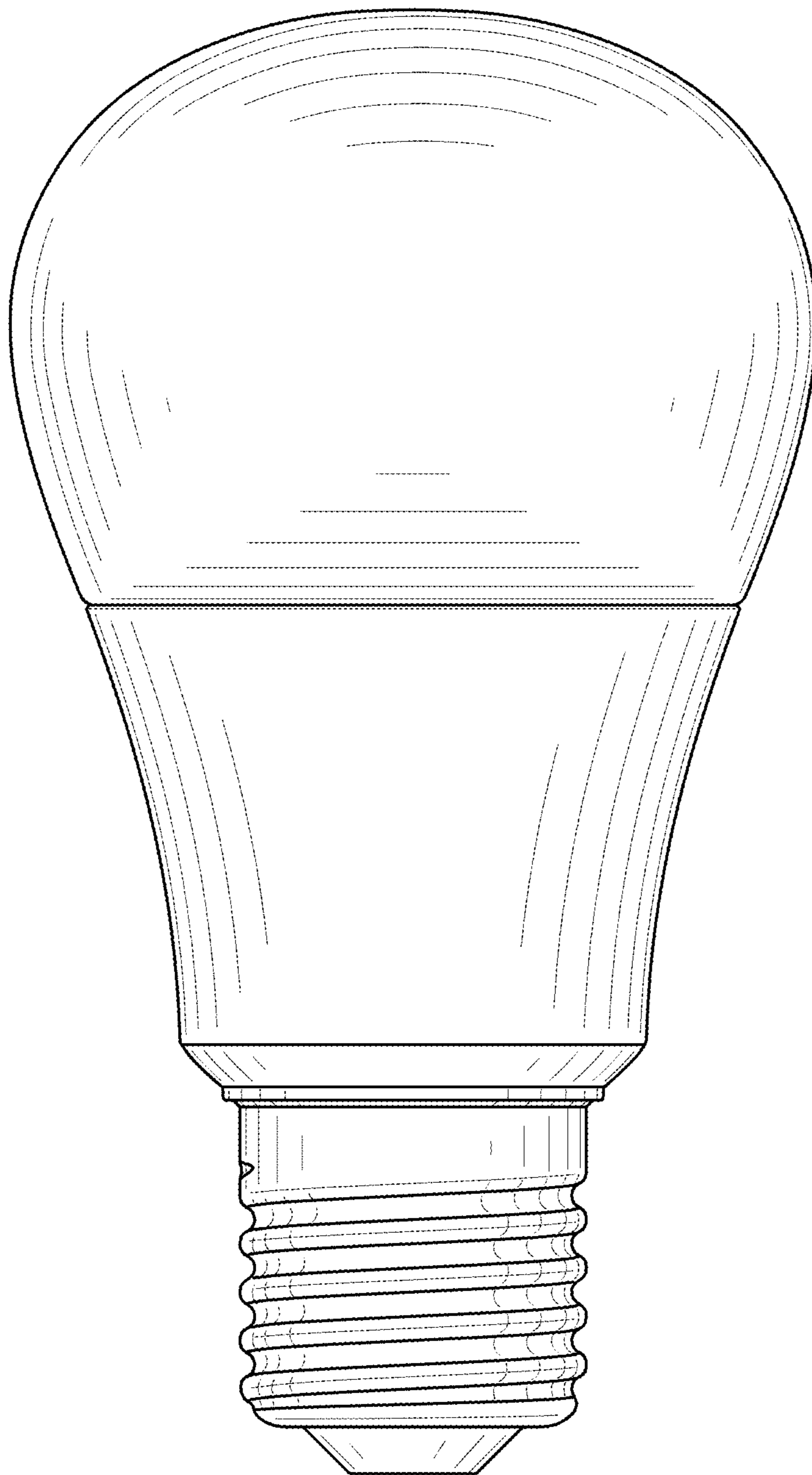


FIG. 5

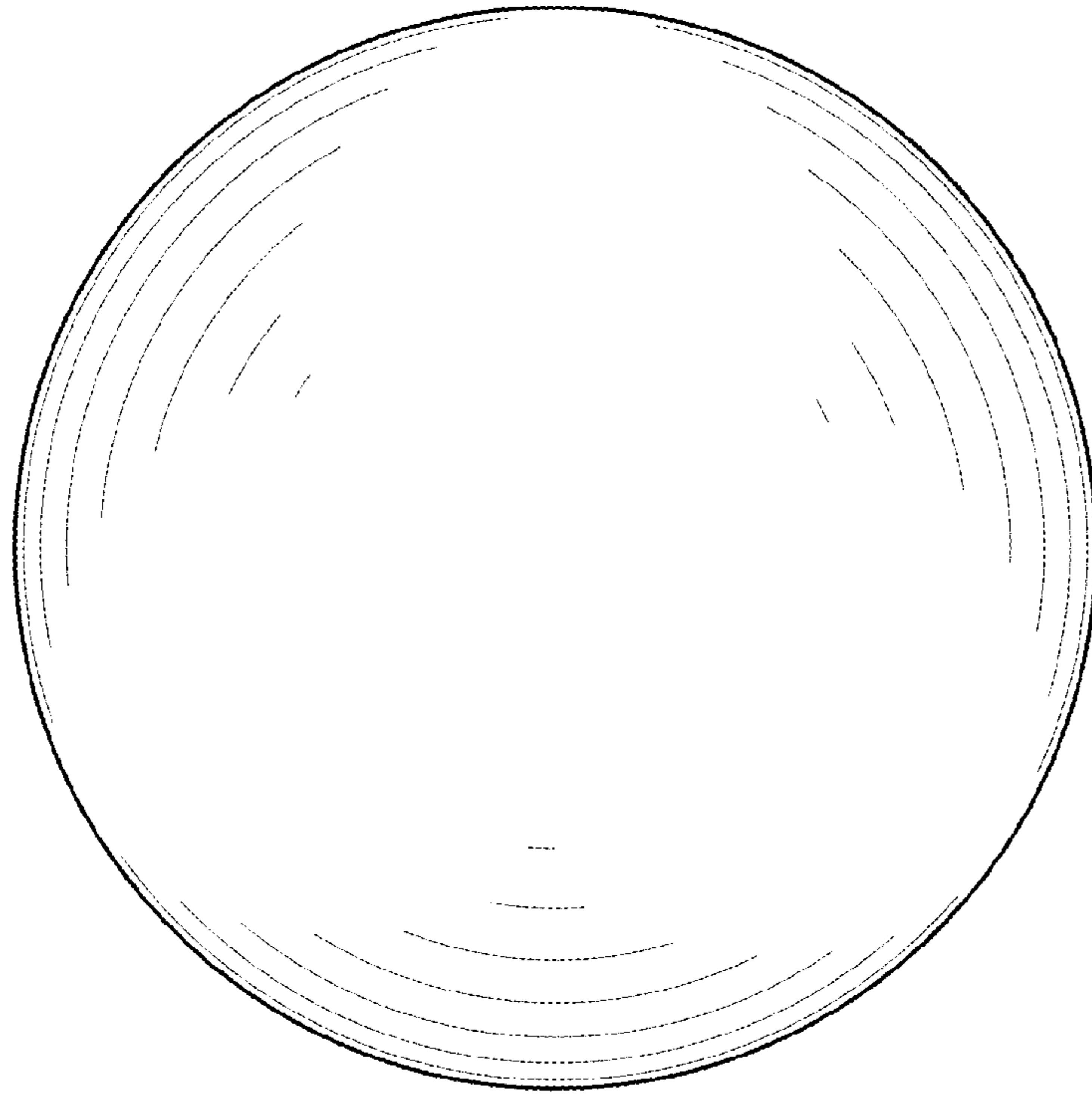


FIG. 6

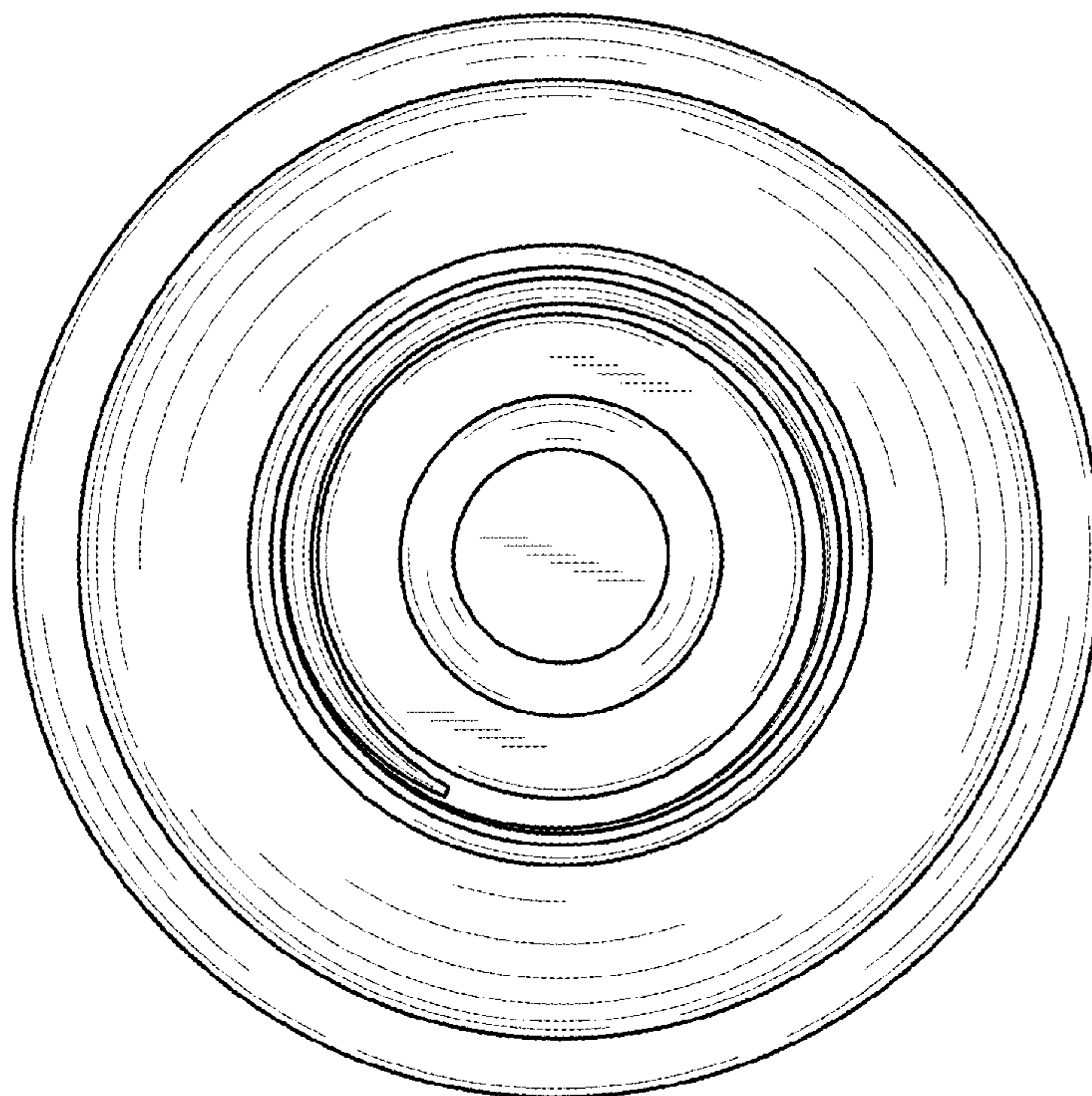


FIG. 7