



US00D742038S

(12) **United States Design Patent**
Lee

(10) **Patent No.:** **US D742,038 S**
(45) **Date of Patent:** **** Oct. 27, 2015**

(54) **LED LAMP**

(71) Applicant: **UMINC. Corporation**, Seoul (KR)

(72) Inventor: **Dong Ju Lee**, Gyeonggi-do (KR)

(73) Assignee: **UMINC. Corporation**, Seoul (KR)

(**) Term: **14 Years**

(21) Appl. No.: **29/497,527**

(22) Filed: **Jul. 25, 2014**

(30) **Foreign Application Priority Data**

Jan. 27, 2014 (KR) 30-2014-0004472

(51) **LOC (10) Cl.** **26-04**

(52) **U.S. Cl.**
USPC **D26/2**

(58) **Field of Classification Search**
USPC D26/1-4; 313/313, 315, 316, 317, 318,
313/493; 315/52, 53, 56, 57, 58

See application file for complete search history.

(56) **References Cited**

U.S. PATENT DOCUMENTS

D625,030	S	*	10/2010	Yamamoto et al.	D26/2
D627,492	S	*	11/2010	Yamamoto et al.	D26/2
D628,317	S	*	11/2010	Yamamoto et al.	D26/2
D628,722	S	*	12/2010	Yamamoto et al.	D26/2
D631,573	S	*	1/2011	Yamamoto et al.	D26/2
D662,621	S	*	6/2012	Yamamoto et al.	D26/2
D662,622	S	*	6/2012	Yamamoto et al.	D26/2
D662,623	S	*	6/2012	Yamamoto et al.	D26/2

* cited by examiner

Primary Examiner — Marcus Jackson

(74) *Attorney, Agent, or Firm* — Grossman Tucker Perreault & Pflieger, PLLC

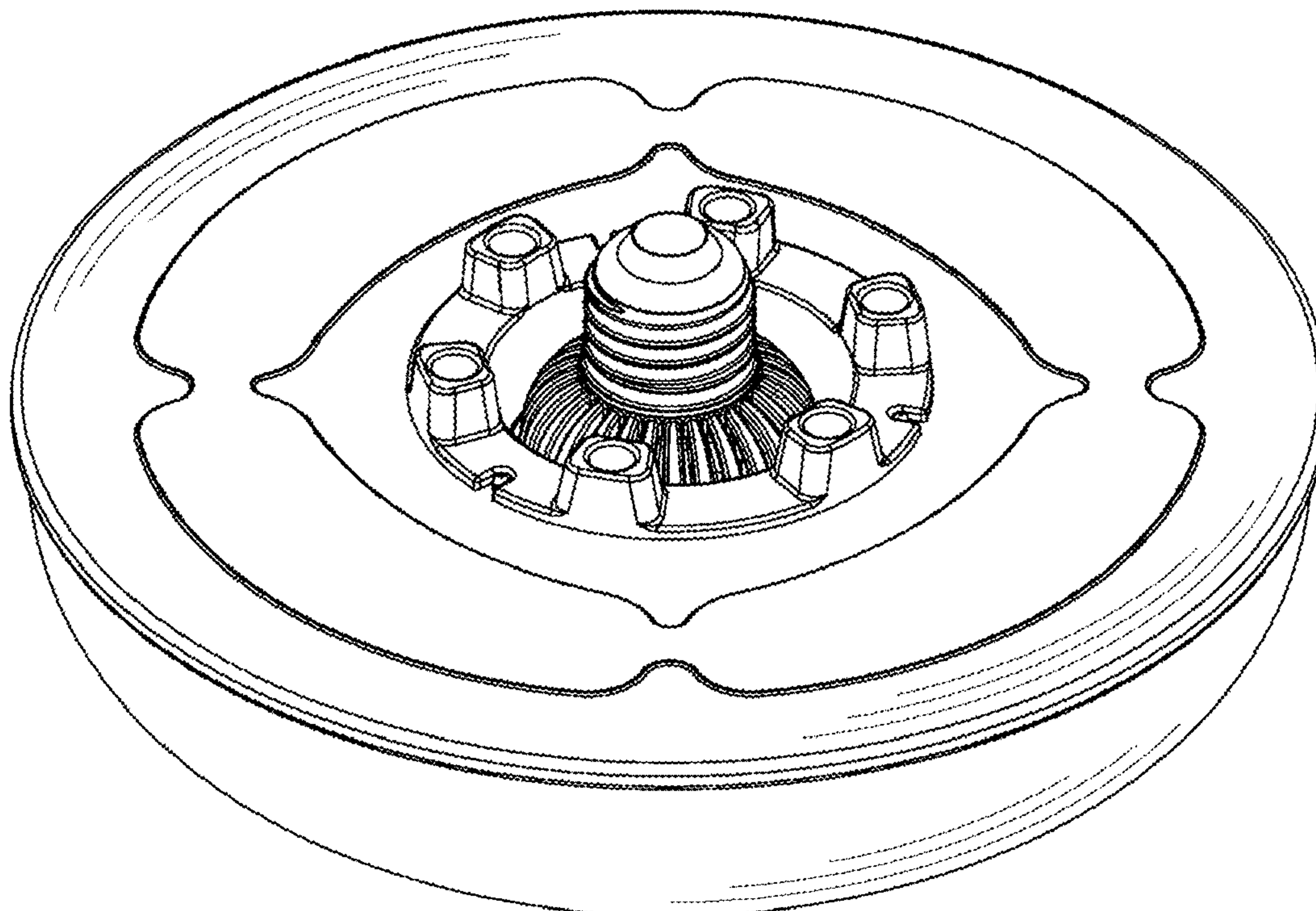
(57) **CLAIM**

The ornamental design for the LED lamp, as shown and described.

DESCRIPTION

FIG. 1 is a perspective view of a LED lamp.
FIG. 2 is a front view thereof.
FIG. 3 is a rear view thereof.
FIG. 4 is a left side view thereof.
FIG. 5 is a right side view thereof.
FIG. 6 is a top plan view thereof; and,
FIG. 7 is a bottom plan view thereof.

1 Claim, 5 Drawing Sheets



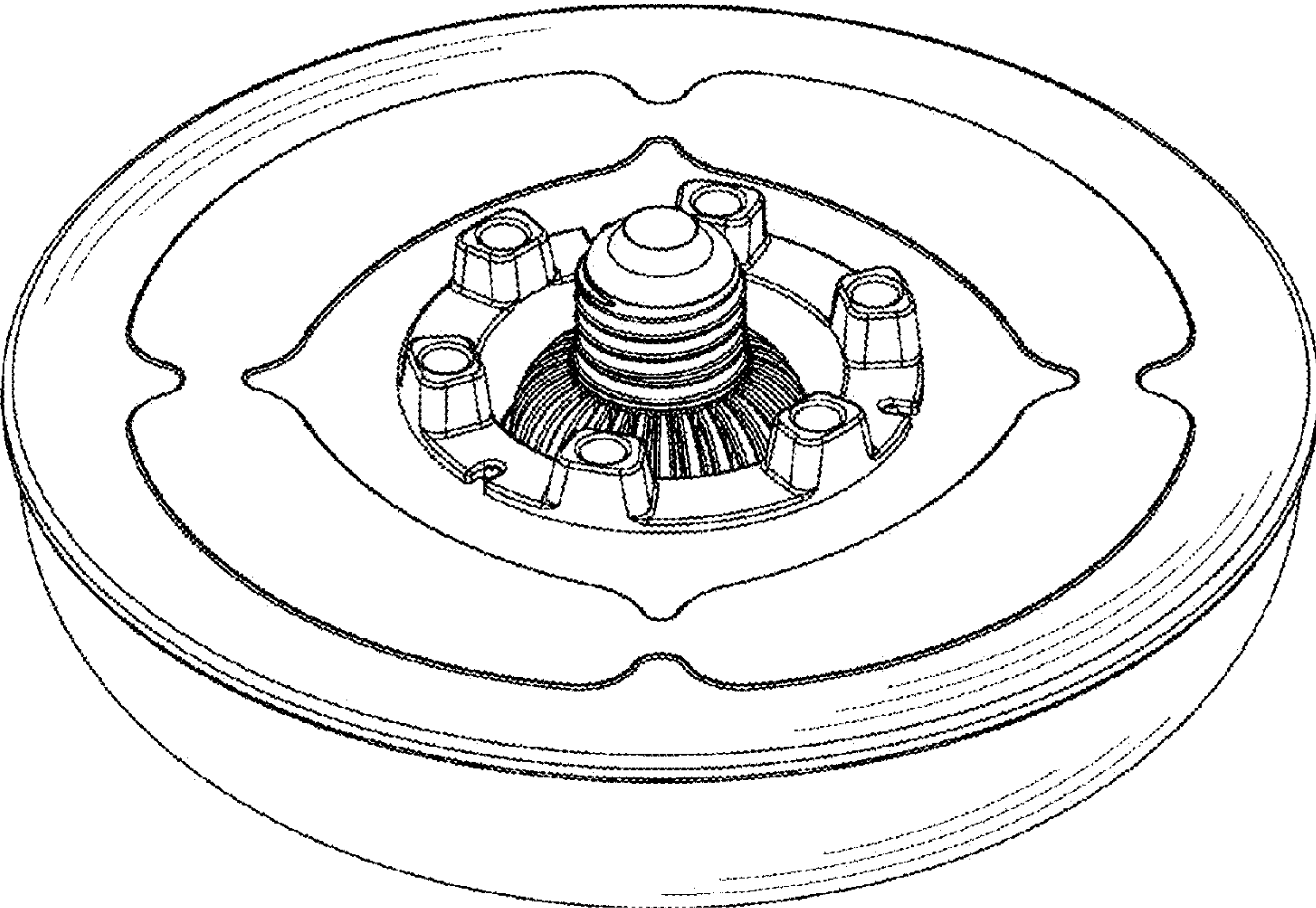


FIG. 1

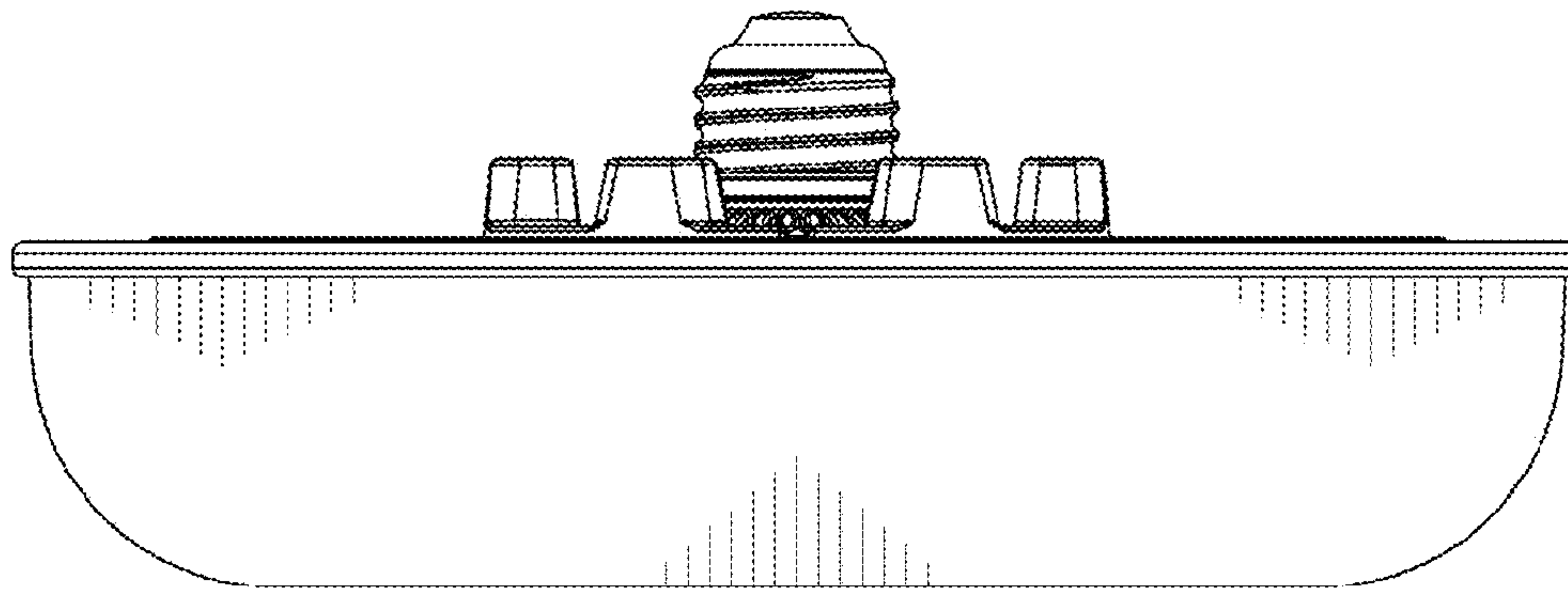


FIG. 2

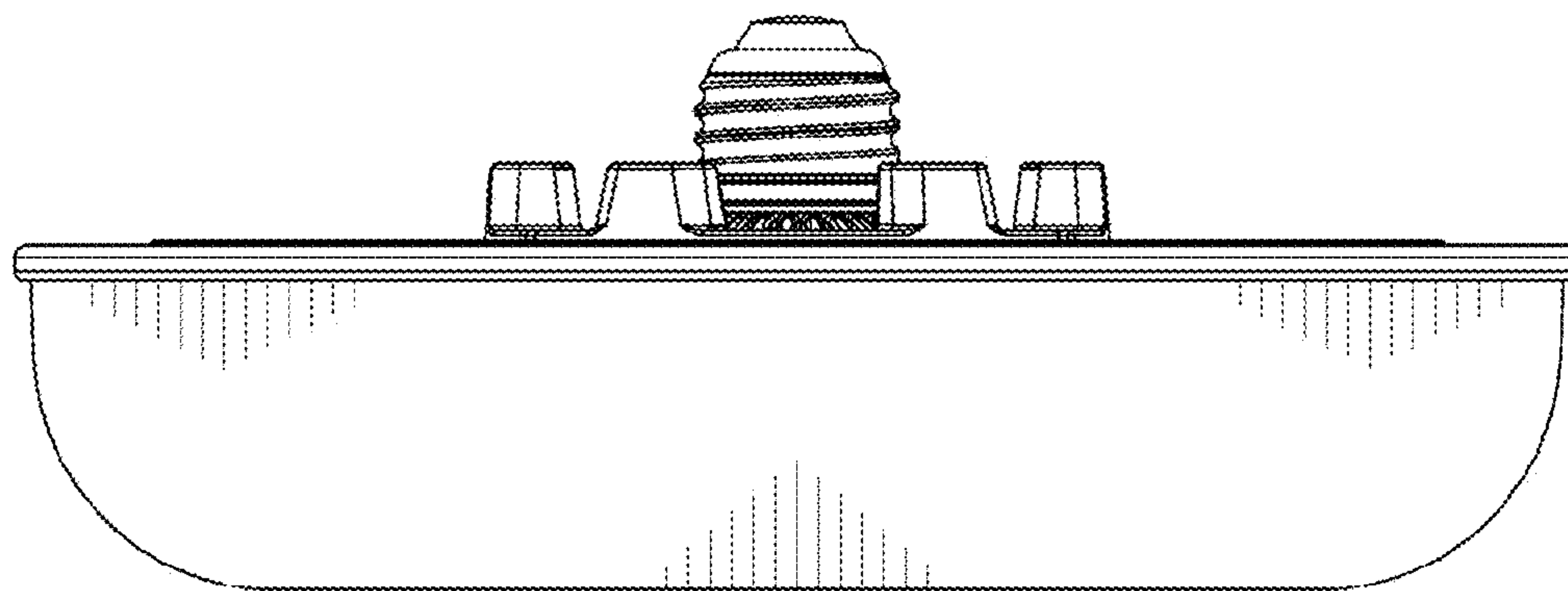


FIG. 3

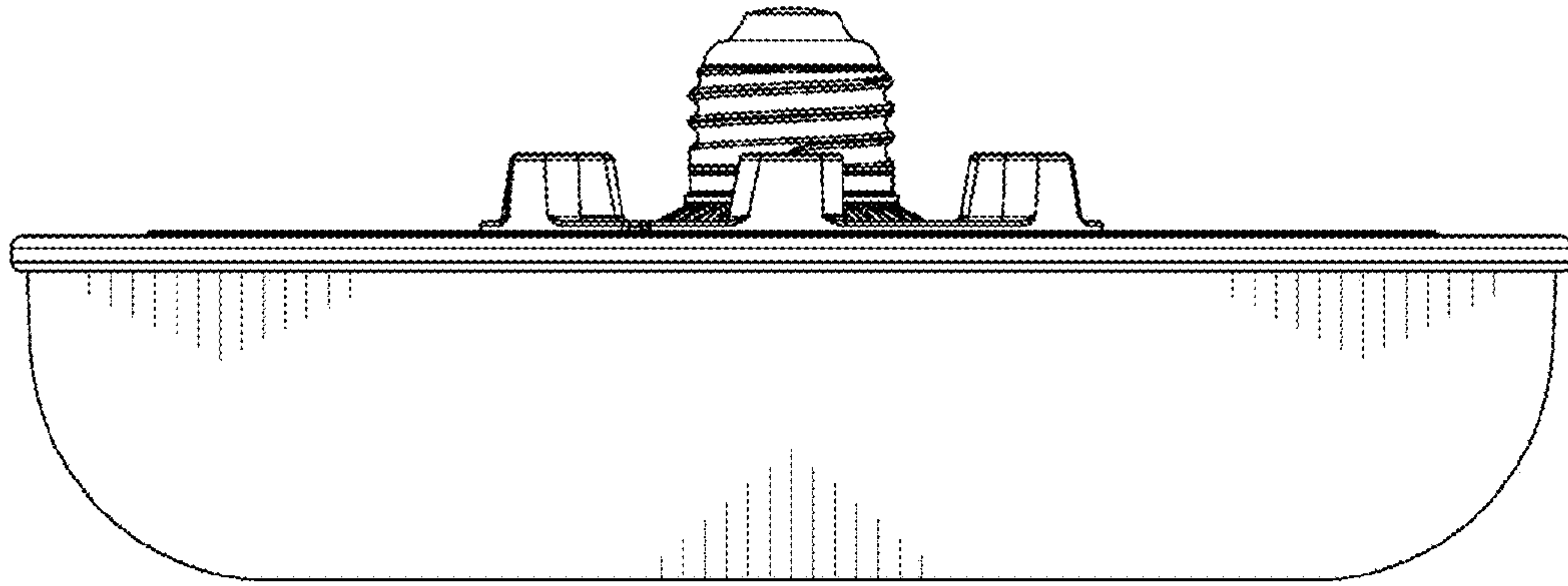


FIG. 4

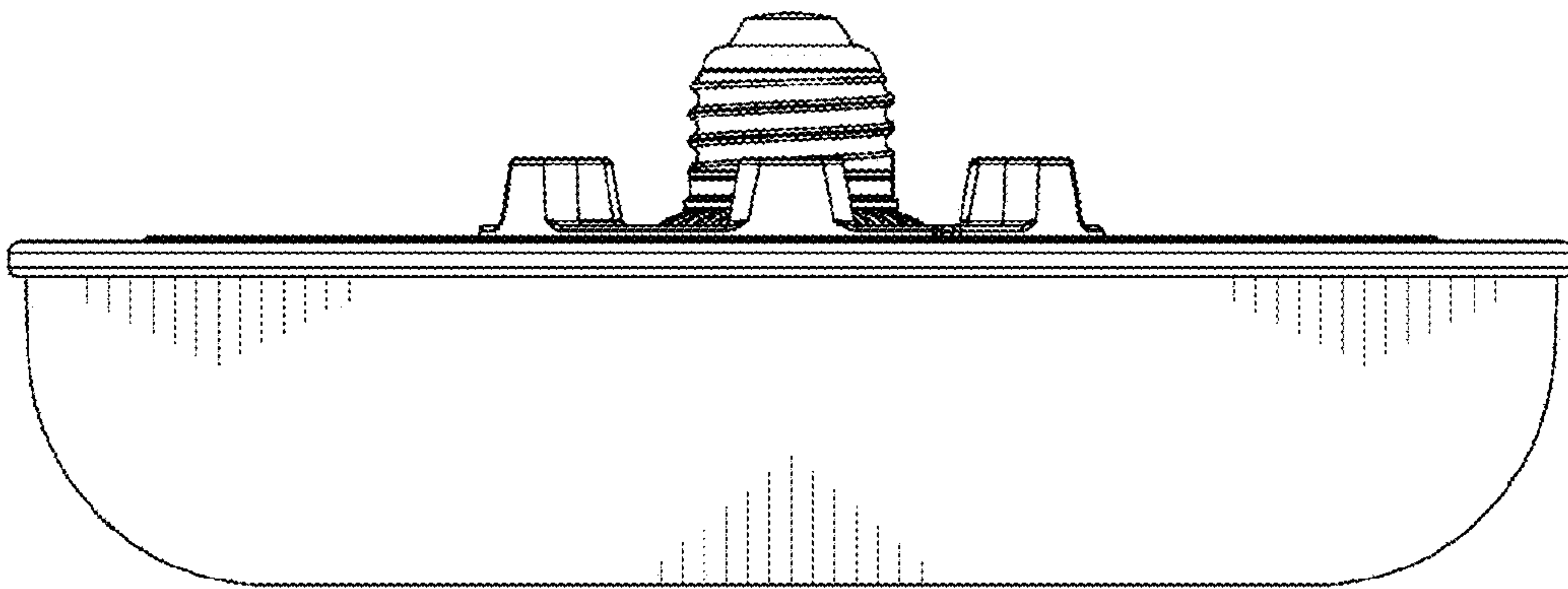


FIG. 5

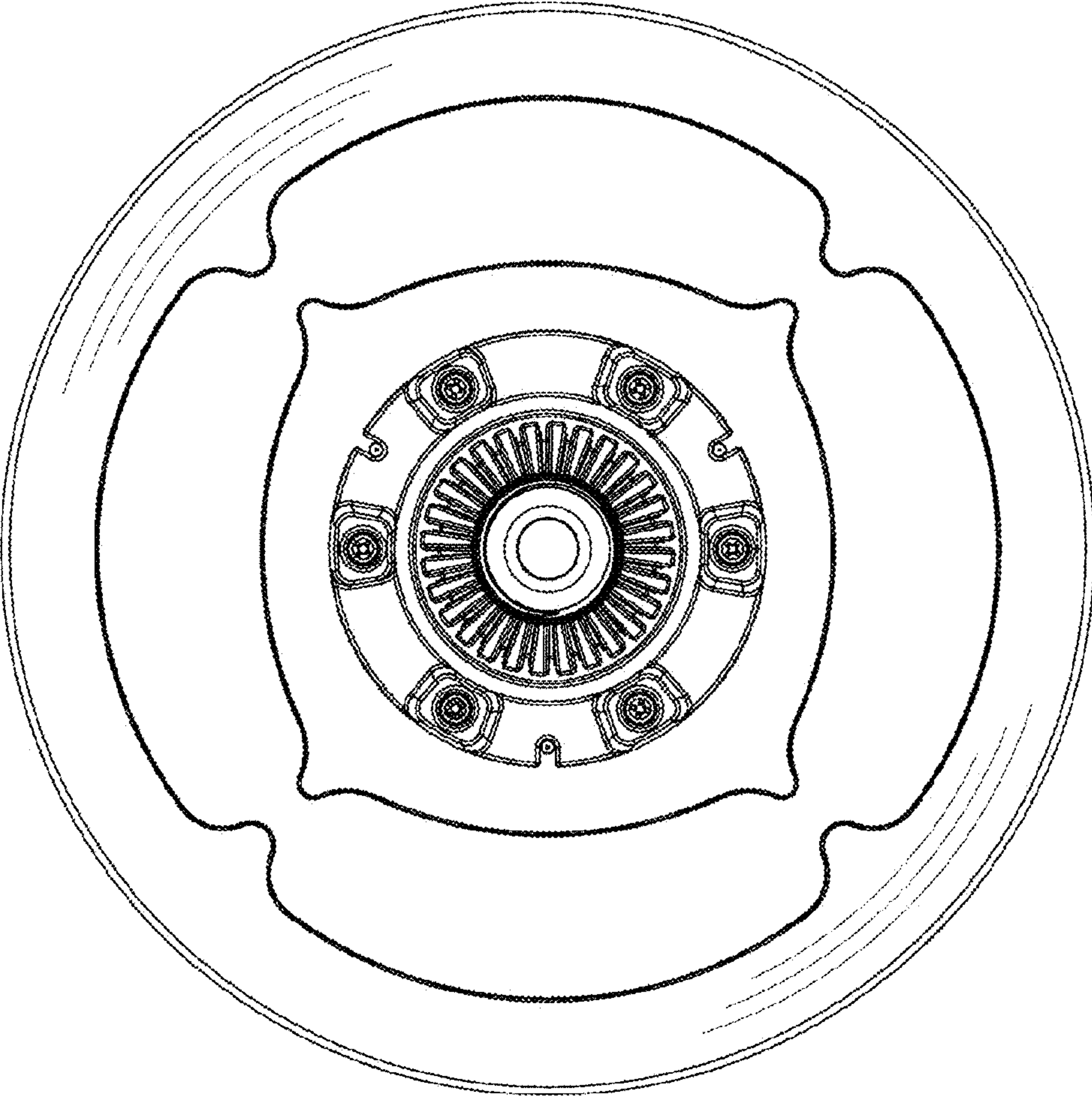


FIG. 6

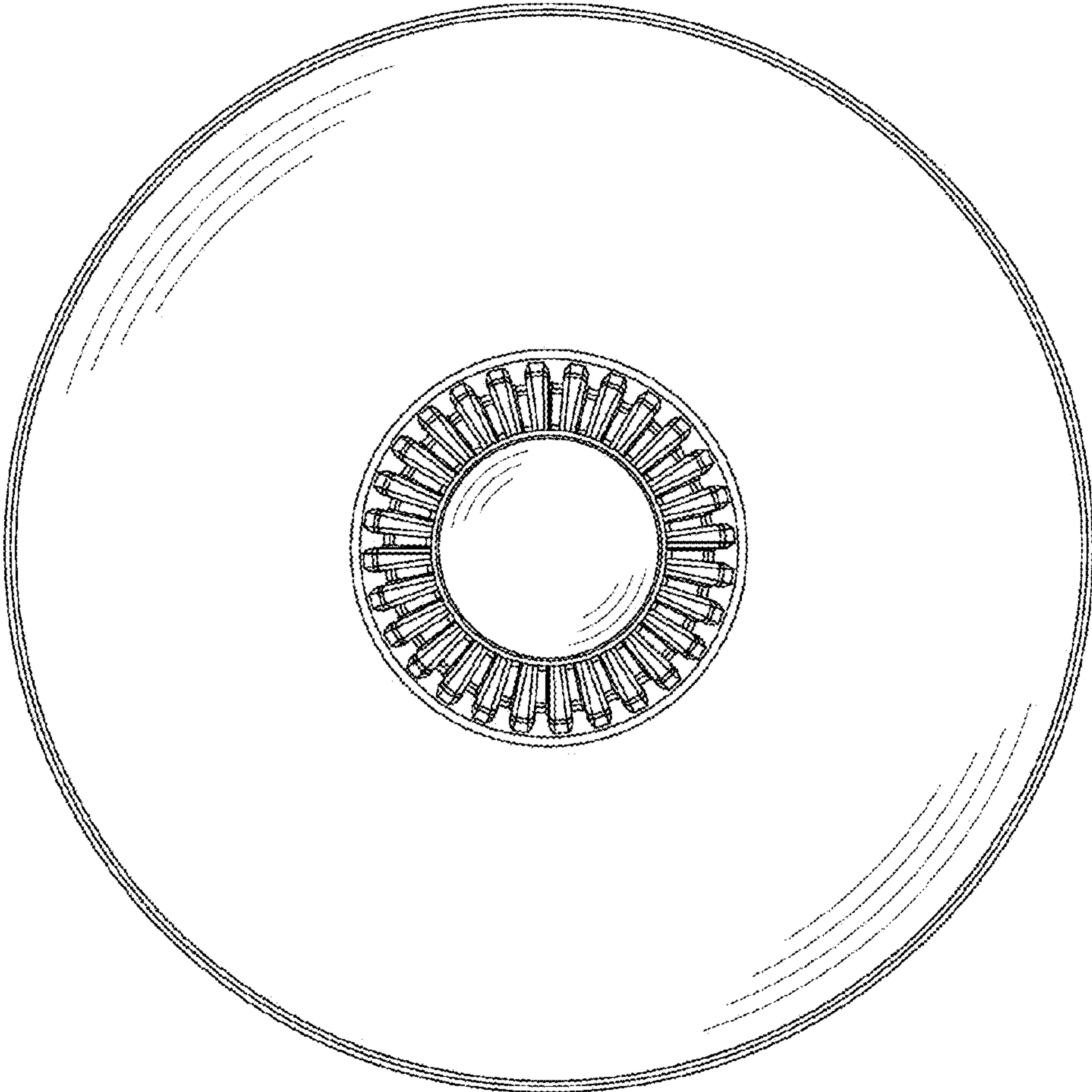


FIG. 7