



US00D742036S

(12) **United States Design Patent**
Gallagher

(10) **Patent No.:** **US D742,036 S**

(45) **Date of Patent:** **** Oct. 27, 2015**

(54) **TRUSS DEADWEIGHT**

6,672,789 B2 * 1/2004 Chen 403/171
D493,235 S * 7/2004 Strassle D25/61
7,063,481 B2 * 6/2006 Trull 403/217

(71) Applicant: **Joseph Daniel Gallagher**, Torrence, CA
(US)

* cited by examiner

(72) Inventor: **Joseph Daniel Gallagher**, Torrence, CA
(US)

Primary Examiner — Doris Clark
(74) *Attorney, Agent, or Firm* — Kafantaris Law Offices;
Theo Kafantaris

(**) Term: **14 Years**

(57) **CLAIM**

(21) Appl. No.: **29/471,841**

The ornamental design for a truss deadweight, as shown and described.

(22) Filed: **Nov. 5, 2013**

DESCRIPTION

Related U.S. Application Data

(63) Continuation of application No. 13/341,162, filed on
Dec. 30, 2011, now Pat. No. 8,695,305.

(51) **LOC (10) Cl.** **25-02**

(52) **U.S. Cl.**
USPC **D25/61**

(58) **Field of Classification Search**
USPC D25/61, 133; D8/354; 52/655.1, 653.1;
403/171, 176
See application file for complete search history.

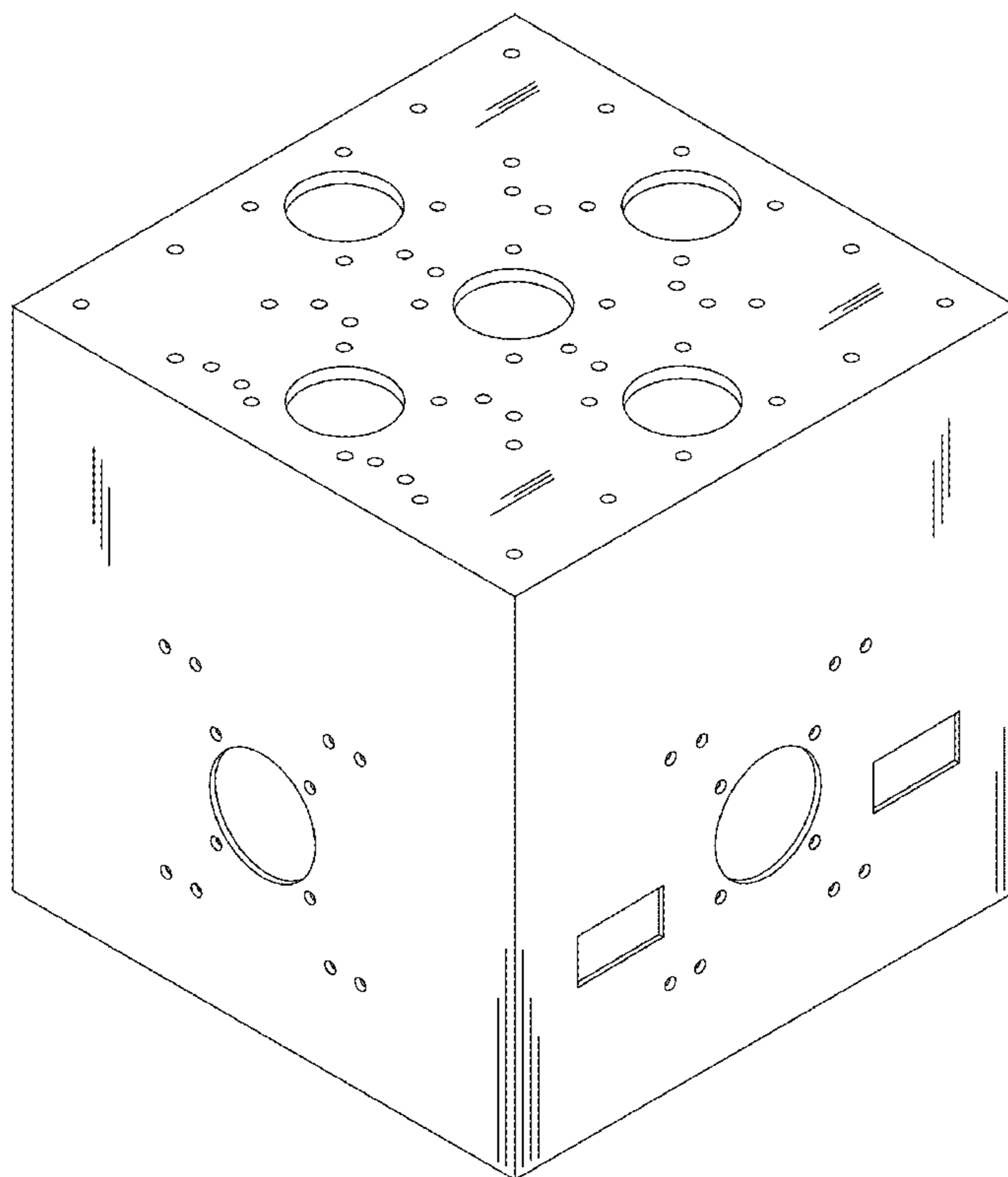
FIG. 1 is a front perspective view of the truss deadweight showing my new design;
FIG. 2 is a rear perspective view thereof;
FIG. 3 is a top plan view thereof;
FIG. 4 is a left side view thereof;
FIG. 5 is a front elevation view thereof;
FIG. 6 is a right side view thereof;
FIG. 7 is a rear elevation view thereof;
FIG. 8 is a front perspective view of a second embodiment of a truss deadweight thereof;
FIG. 9 is a rear perspective view thereof;
FIG. 10 is a top plan view thereof;
FIG. 11 is a left side view thereof;
FIG. 12 is a front elevation view thereof;
FIG. 13 is a right side view thereof; and,
FIG. 14 is a rear elevation view thereof.

(56) **References Cited**

U.S. PATENT DOCUMENTS

5,372,450 A * 12/1994 Blodgett 403/171
D453,970 S * 2/2002 Strassle D25/61

1 Claim, 14 Drawing Sheets



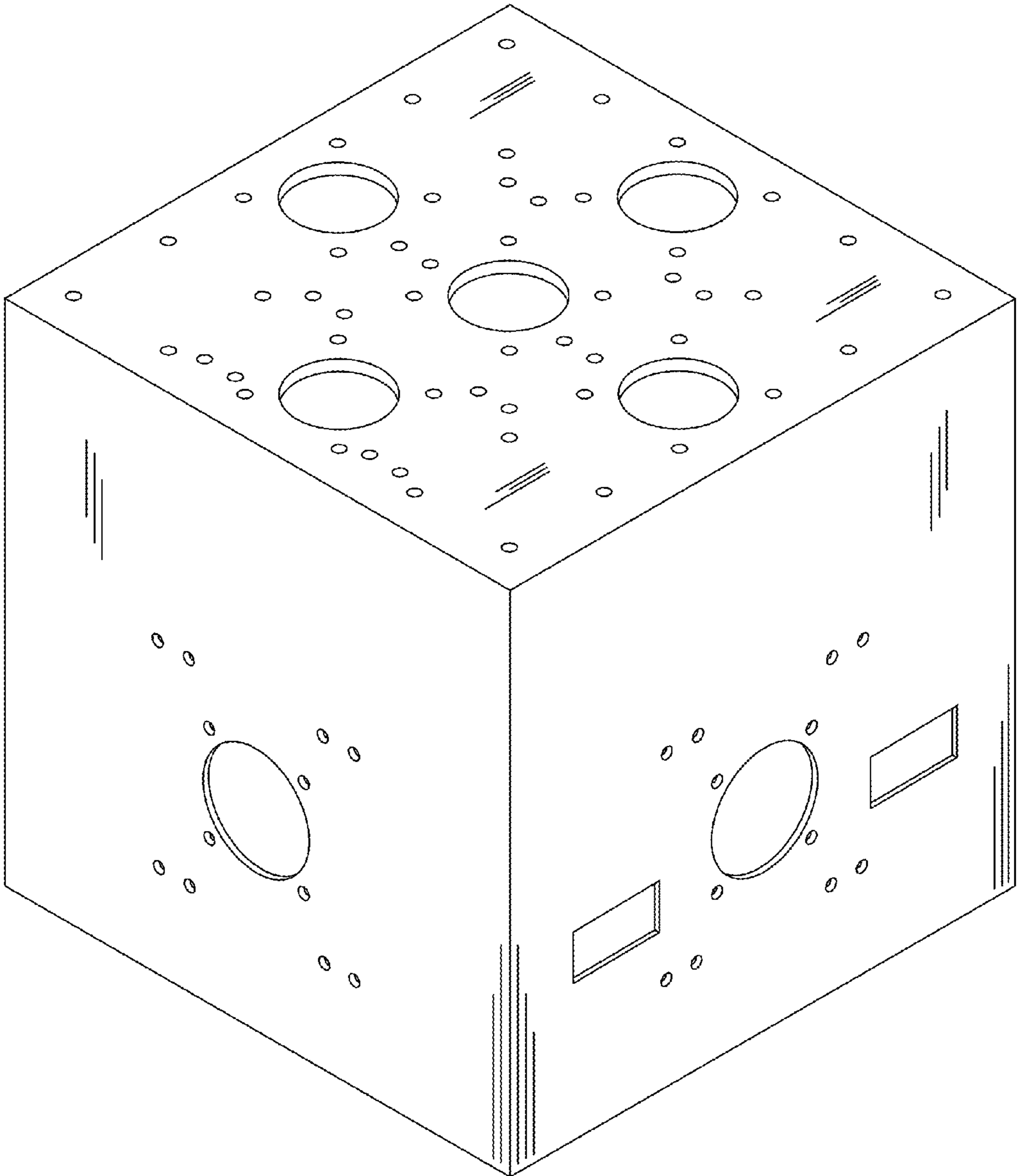


FIG. 1

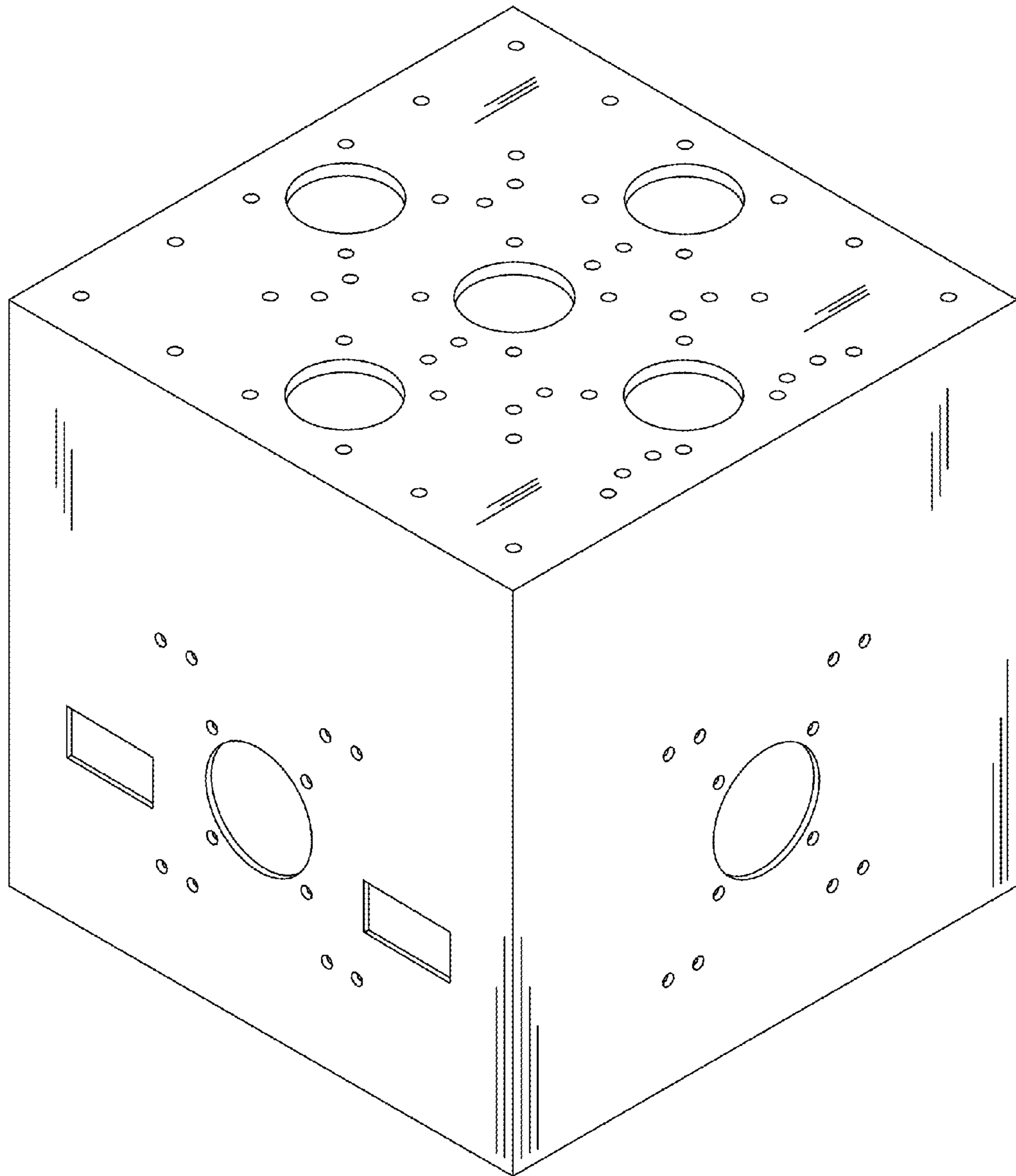


FIG. 2

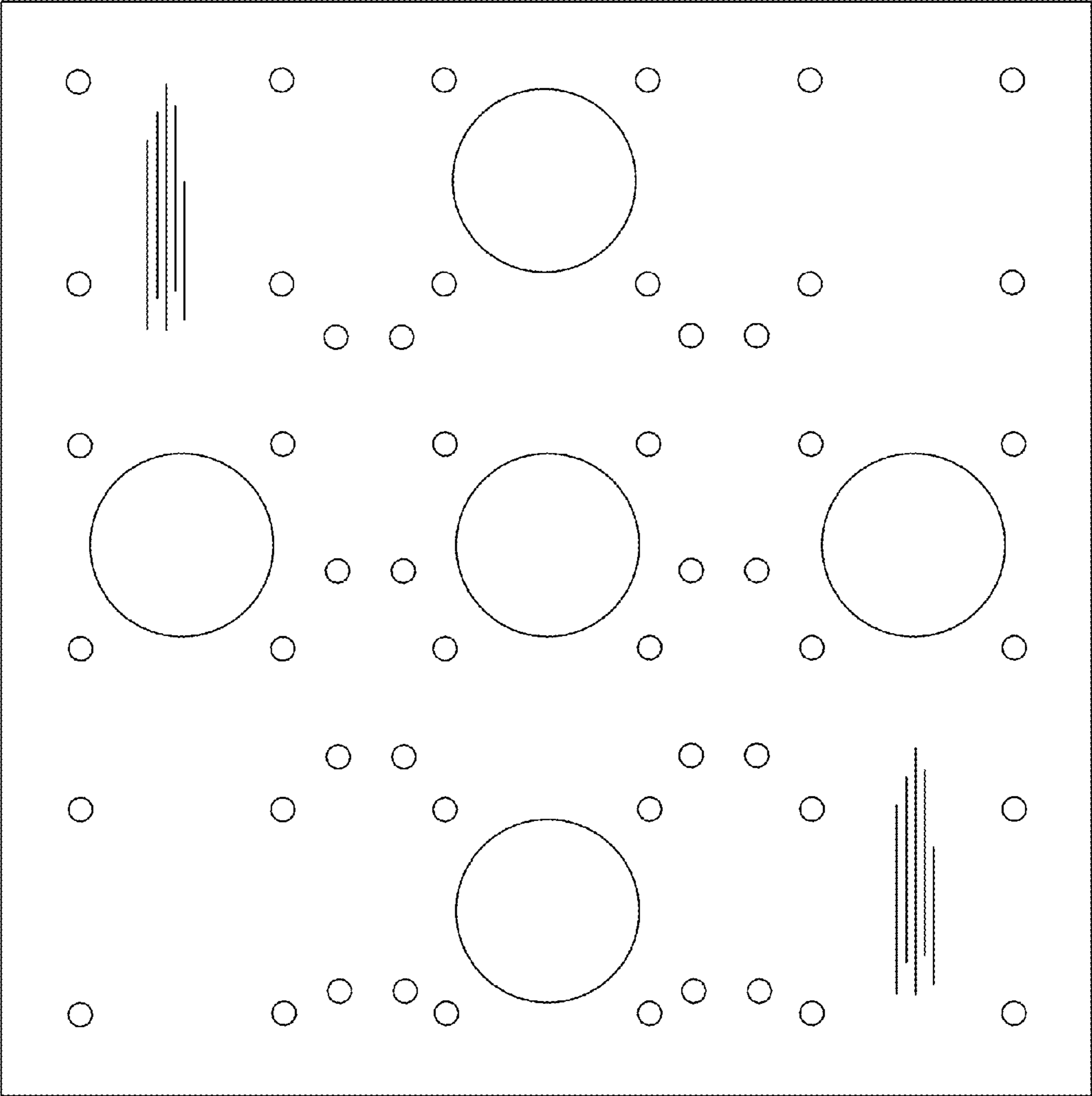


FIG. 3

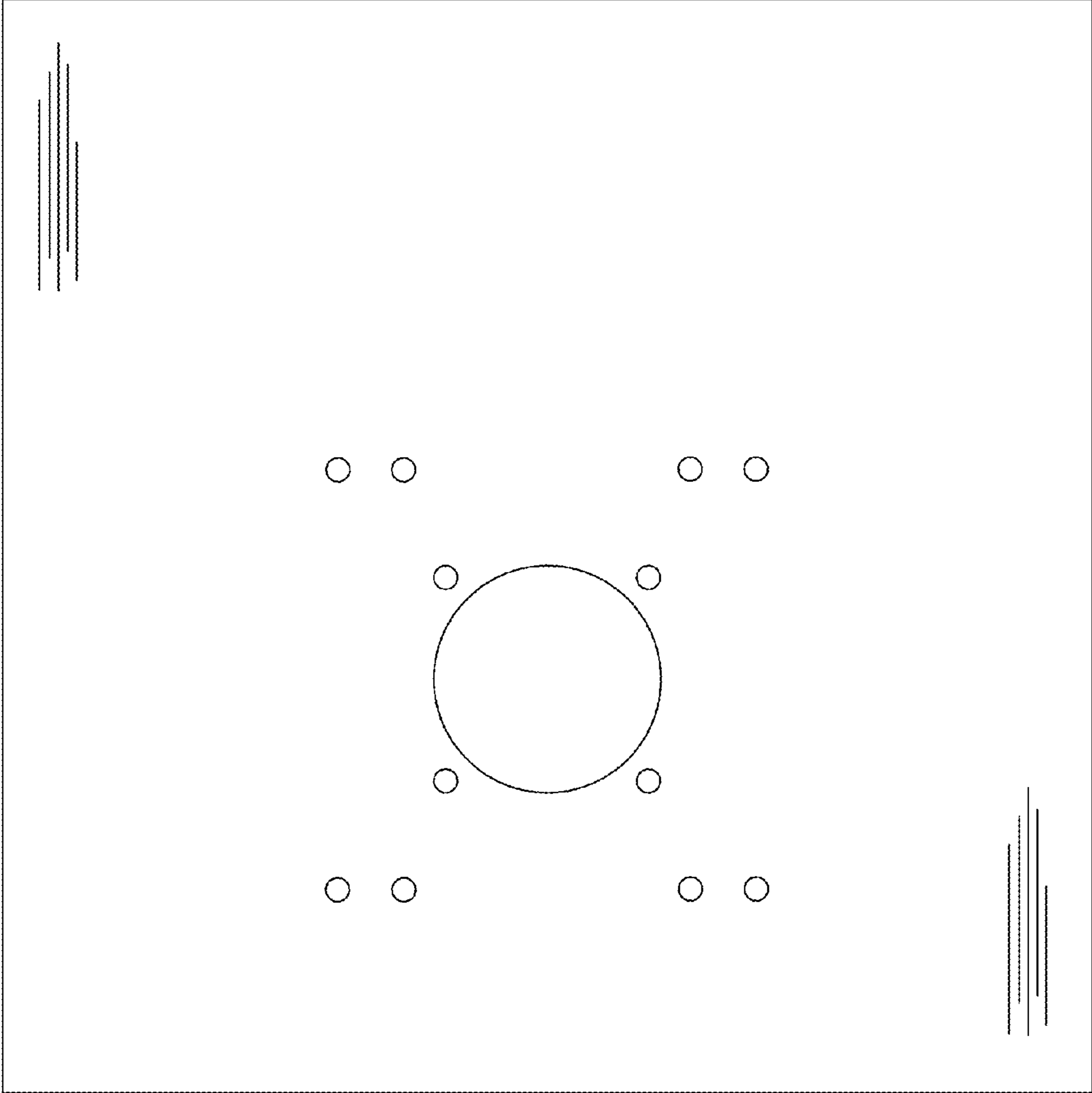


FIG. 4

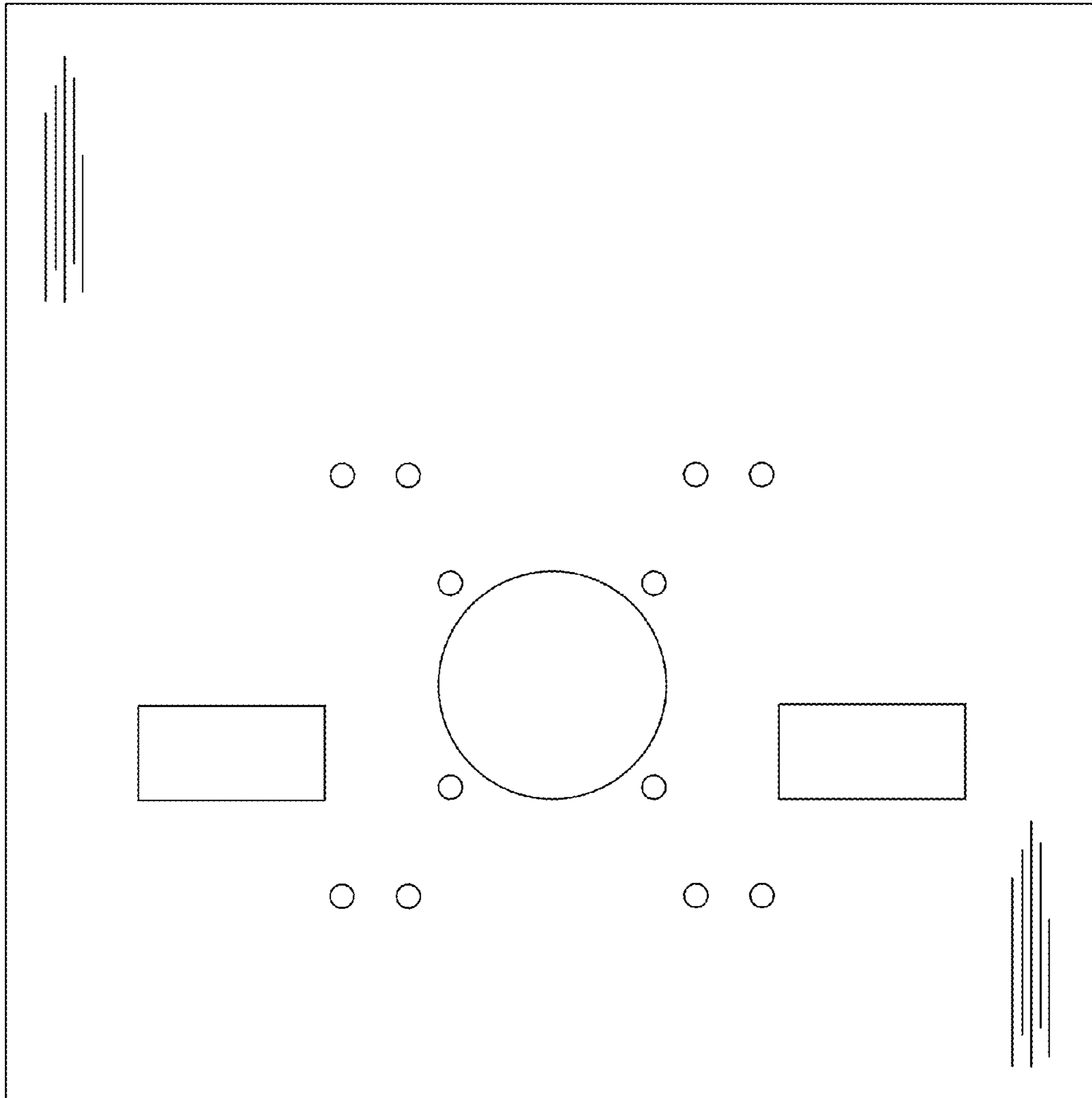


FIG. 5

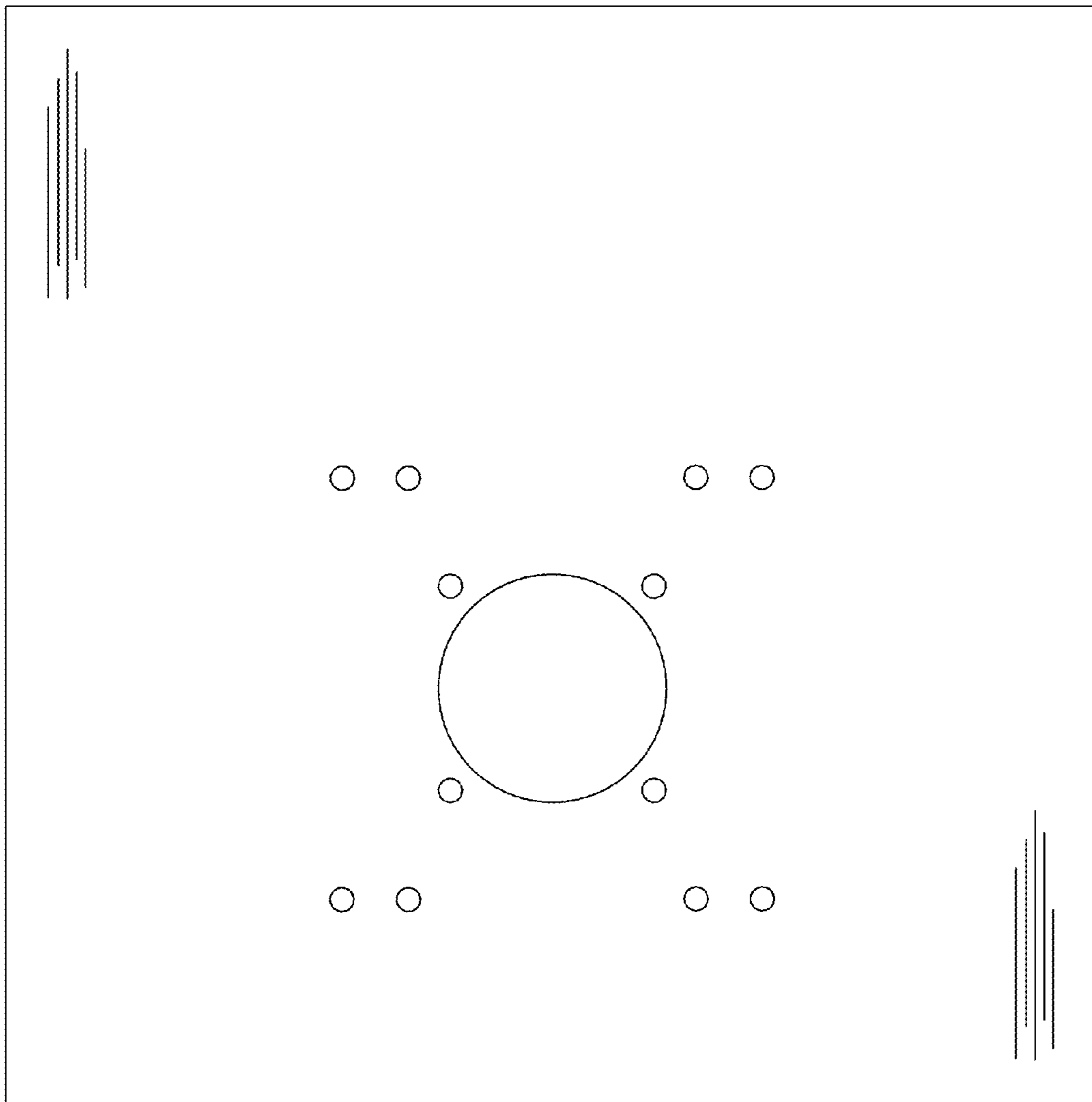


FIG. 6

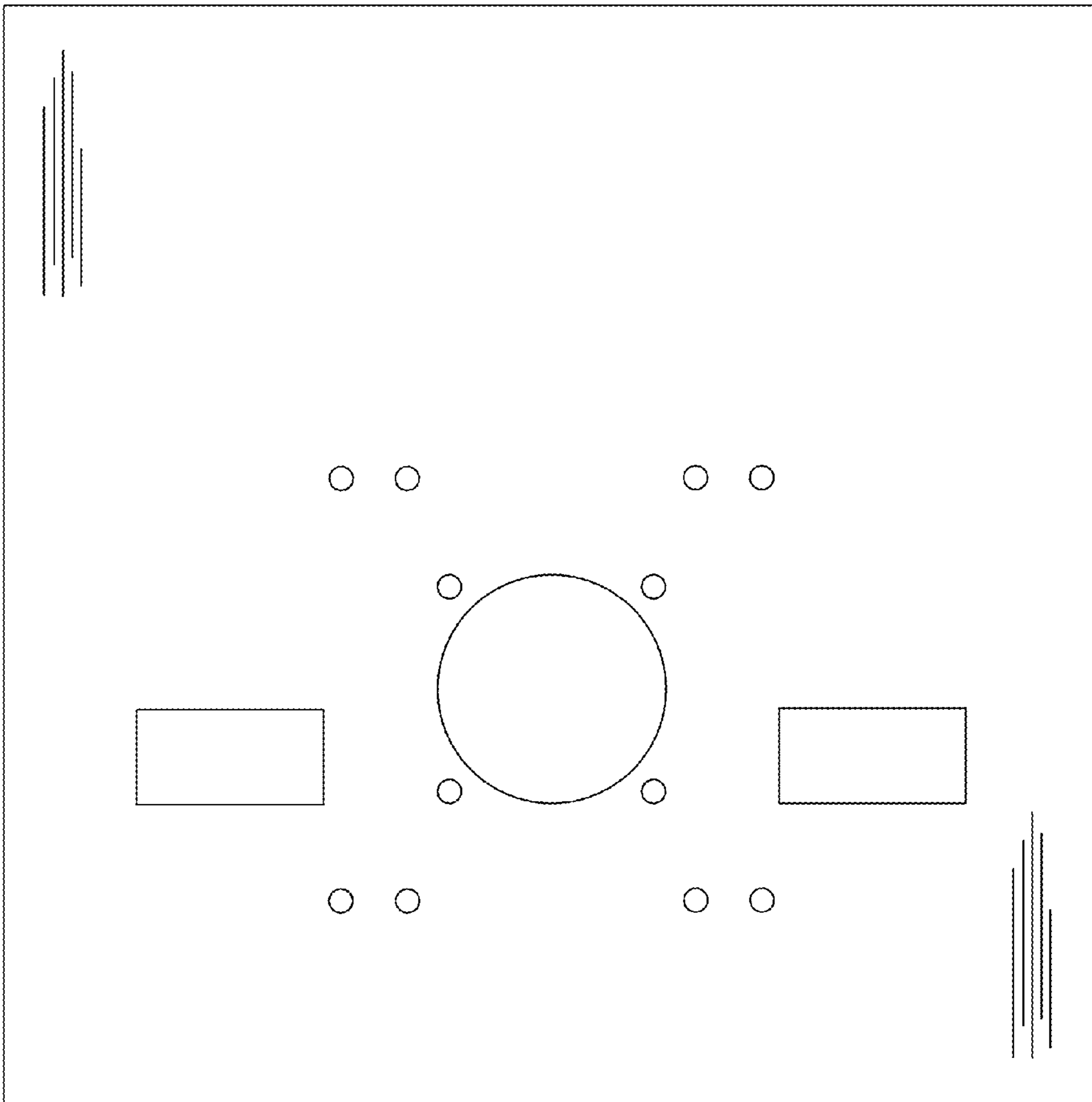


FIG. 7

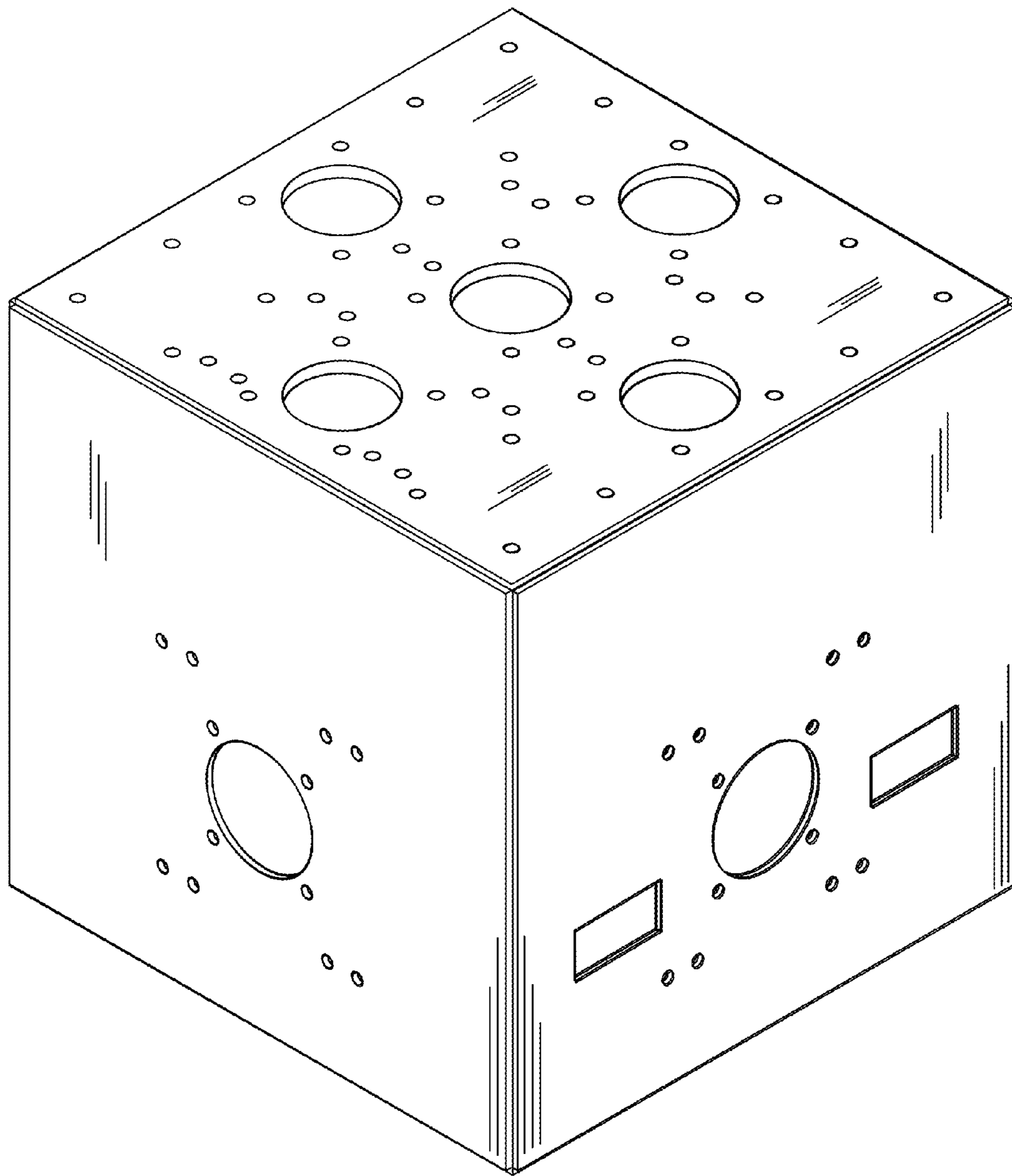


FIG. 8

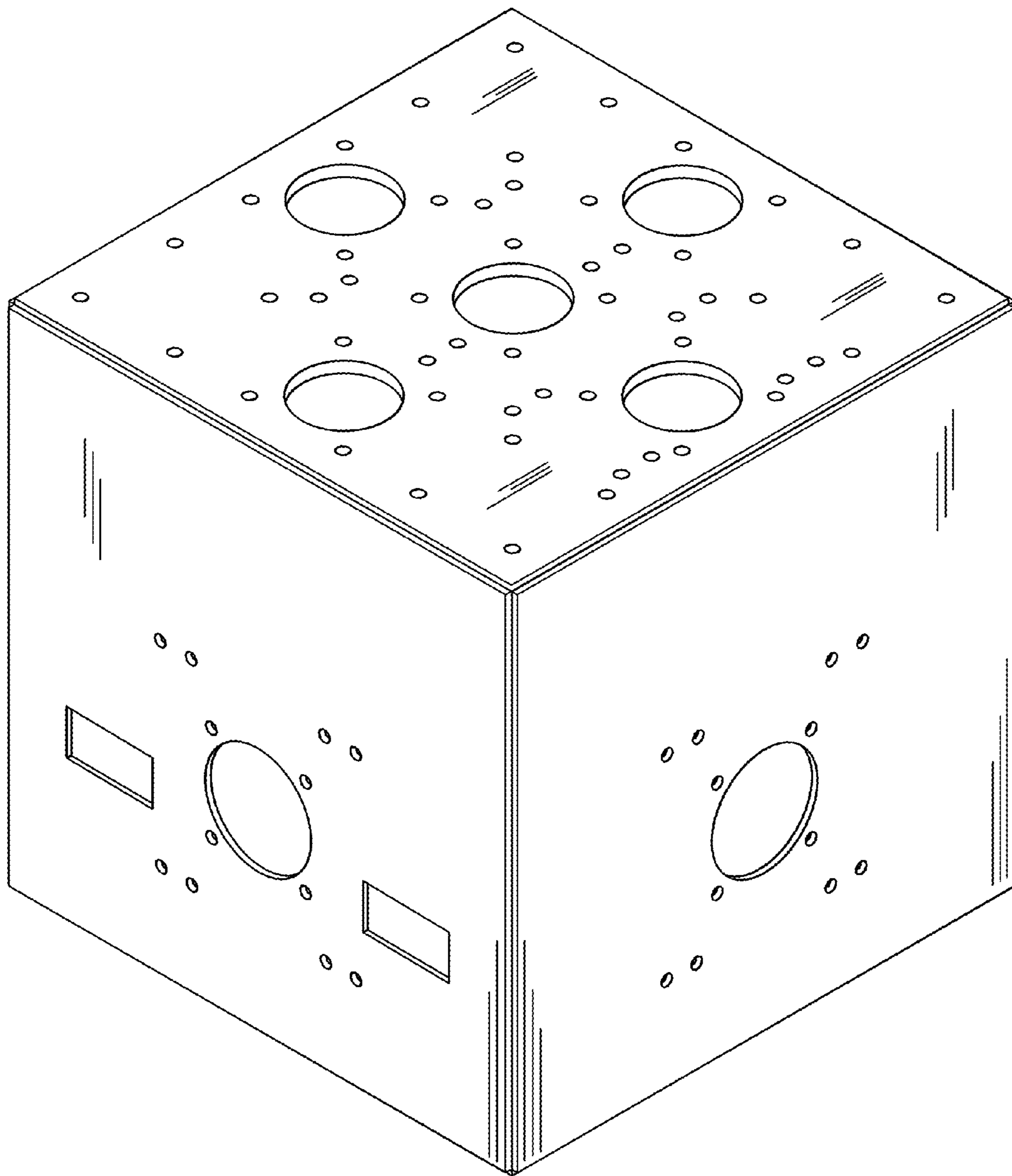


FIG. 9

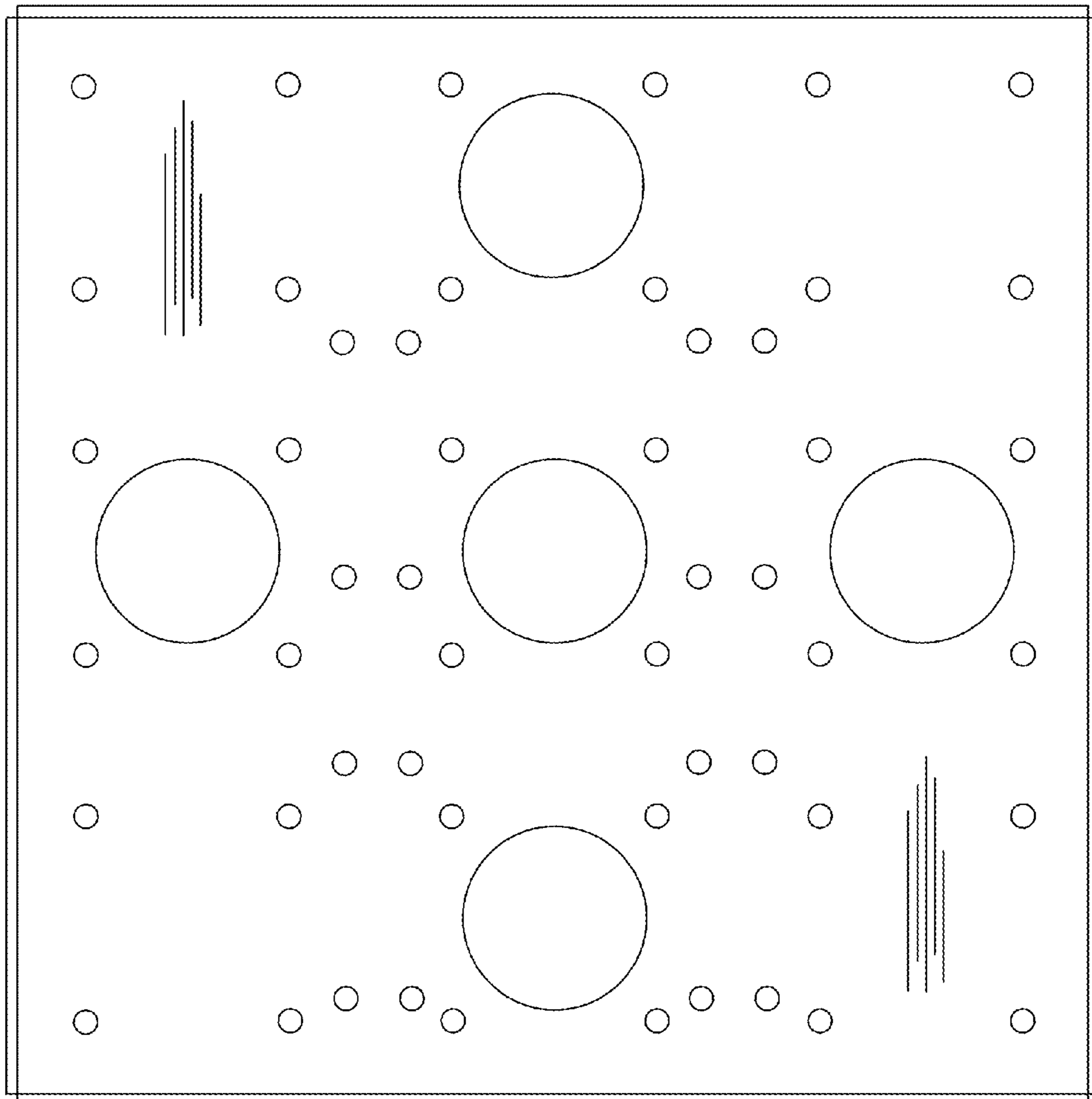


FIG. 10

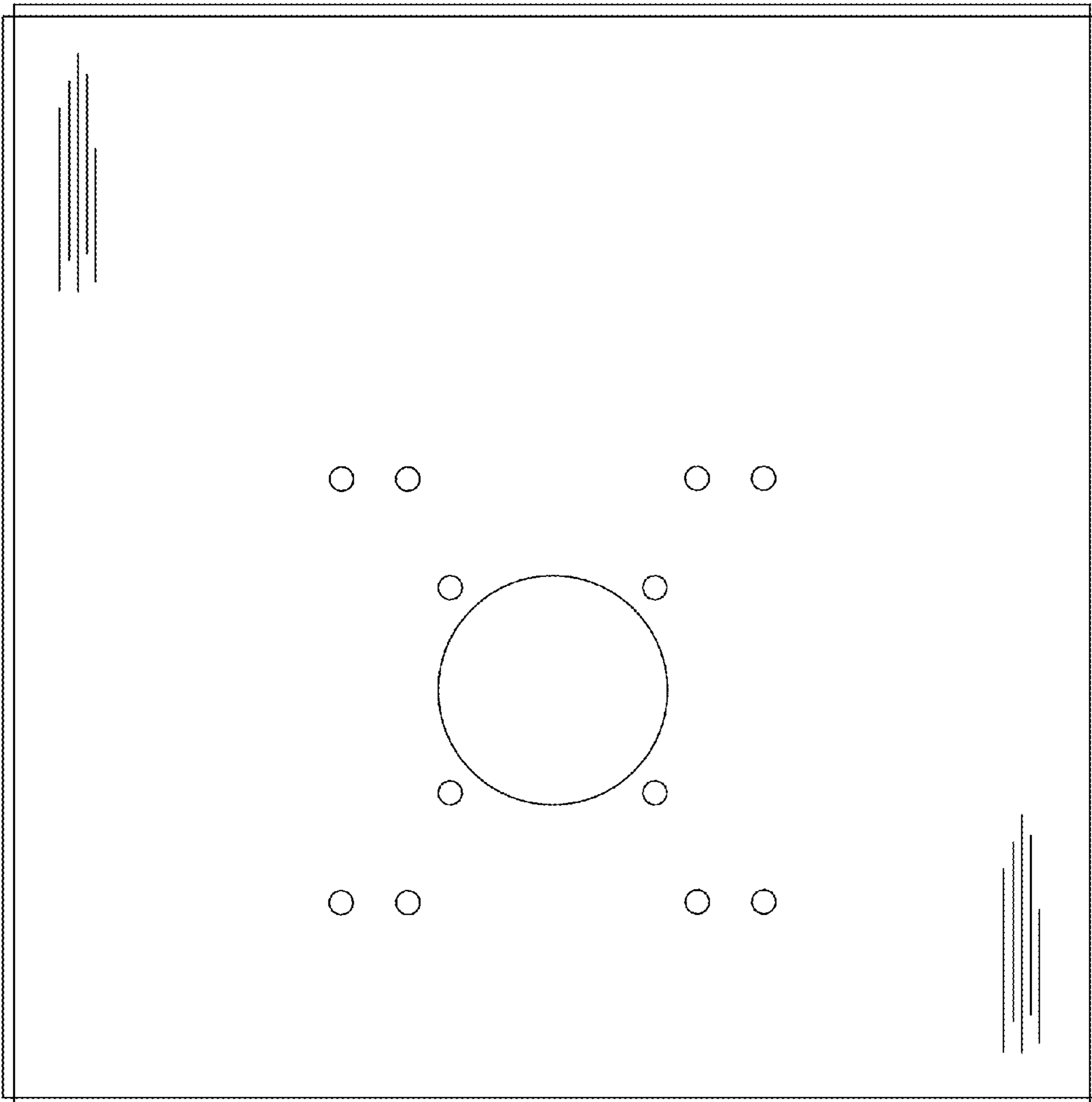


FIG. 11

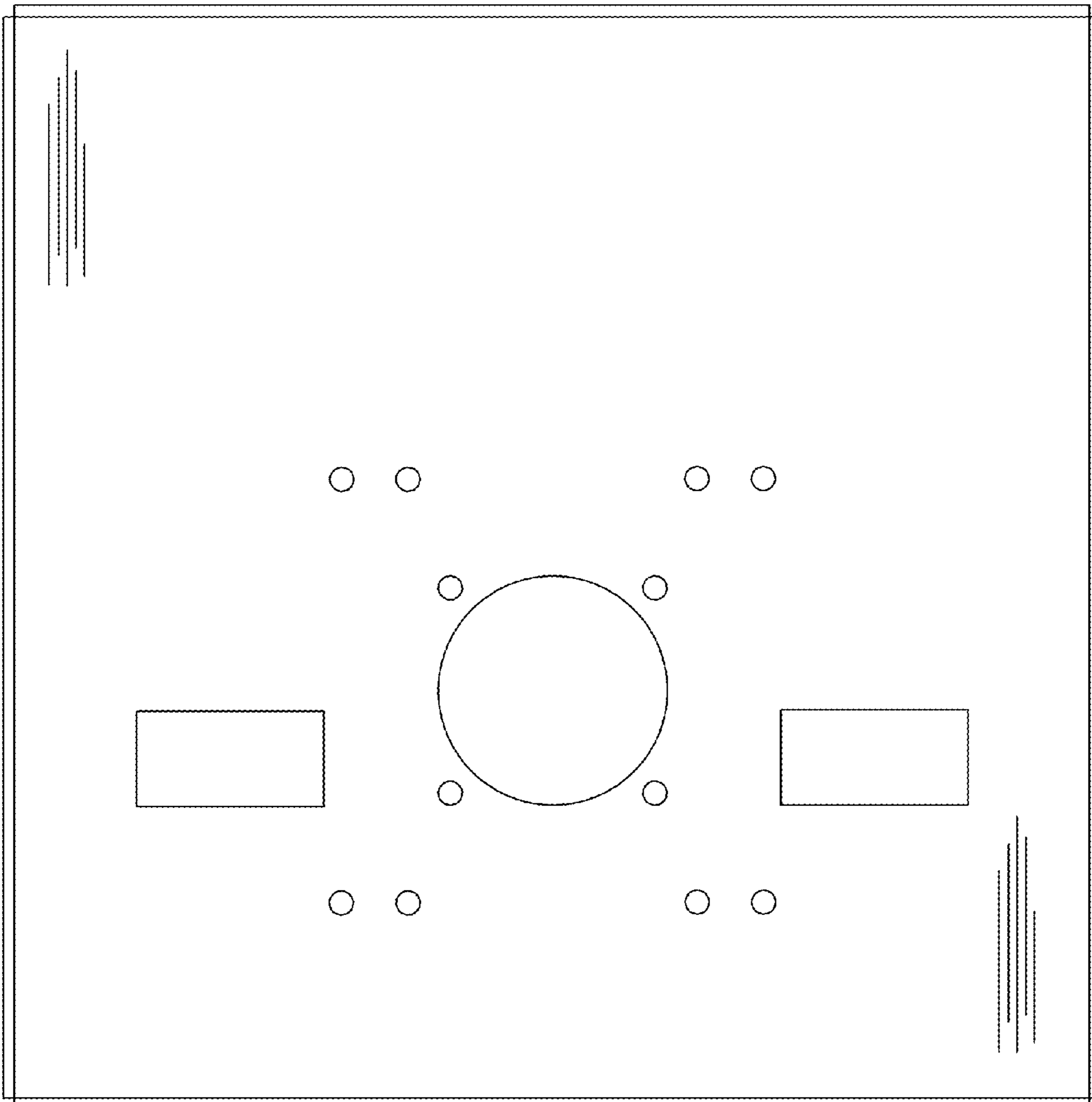


FIG. 12

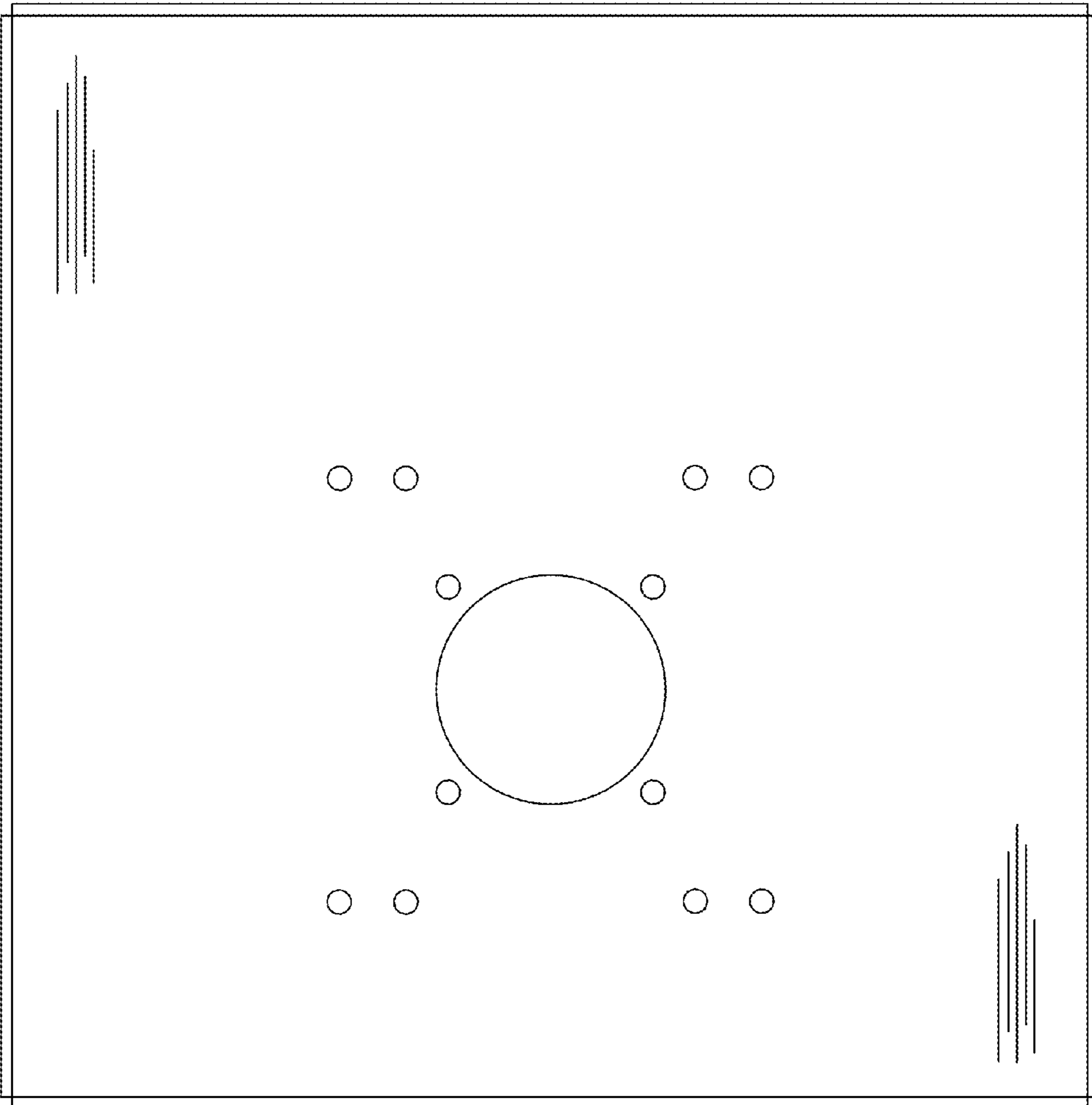


FIG. 13

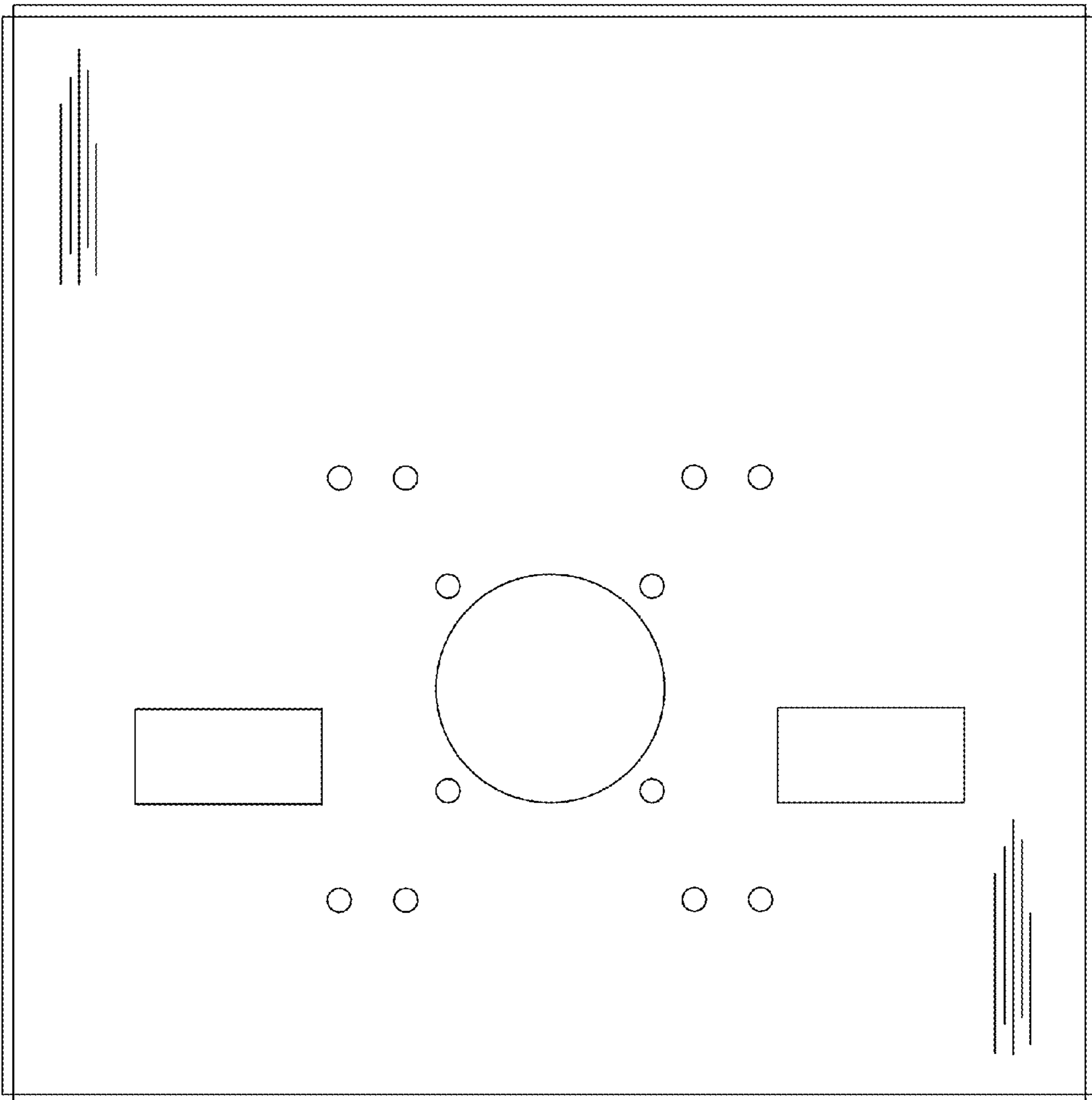


FIG. 14