



US00D742034S

(12) **United States Design Patent**
Steffes et al.

(10) **Patent No.:** **US D742,034 S**
(45) **Date of Patent:** **** Oct. 27, 2015**

(54) **FRAME FOR A MANUFACTURED SIDING PANEL**

(71) Applicants: **Stephen W. Steffes**, McPherson, KS (US); **David J. Stucky**, Grass Lake, MI (US); **Robert D. Shaw**, Parma, MI (US); **Nikki J. Whitney**, Lansing, MI (US); **Christopher Michael Colyn**, Battle Creek, MI (US); **David H. Beck**, Jackson, MI (US)

(72) Inventors: **Stephen W. Steffes**, McPherson, KS (US); **David J. Stucky**, Grass Lake, MI (US); **Robert D. Shaw**, Parma, MI (US); **Nikki J. Whitney**, Lansing, MI (US); **Christopher Michael Colyn**, Battle Creek, MI (US); **David H. Beck**, Jackson, MI (US)

(73) Assignee: **CERTAINTED CORPORATION**, Valley Forge, PA (US)

(**) Term: **14 Years**

(21) Appl. No.: **29/470,753**

(22) Filed: **Oct. 24, 2013**

Related U.S. Application Data

(63) Continuation-in-part of application No. 29/435,470, filed on Oct. 24, 2012, now Pat. No. Des. 713,552.

(51) **LOC (10) Cl.** **25-02**

(52) **U.S. Cl.**
USPC **D25/61**

(58) **Field of Classification Search**
USPC D25/61, 138
See application file for complete search history.

(56) **References Cited**

U.S. PATENT DOCUMENTS

5,642,597 A 7/1997 Hendrickson
5,715,637 A 2/1998 Hesterman et al.

6,178,703	B1	1/2001	Noone
6,240,691	B1	6/2001	Holzkaemper et al.
6,883,277	B2	4/2005	Wiechecki et al.
RE39,091	E	5/2006	Kuelker
7,841,147	B2	11/2010	Moran
8,065,850	B1	11/2011	Moran
D665,512	S	8/2012	Yoder et al.
D674,508	S *	1/2013	Yoder et al. D25/61
8,707,649	B2	4/2014	Wilkie et al.
2006/0075712	A1	4/2006	Gilbert et al.
2007/0137127	A1	6/2007	Lincoln et al.
2009/0193742	A1	8/2009	Wolf et al.
2011/0239578	A1	10/2011	Wolf et al.
2012/0186170	A1	7/2012	Macdonald et al.
2012/0272598	A1	11/2012	Wilkie et al.
2014/0109504	A1	4/2014	Steffes et al.

OTHER PUBLICATIONS

U.S. Appl. No. 61/717,905, filed Oct. 24, 2012, Inventors: Stephen W. Steffes et al.

Design U.S. Appl. No. 29/435,472, filed Oct. 24, 2012, Inventors: Stephen W. Steffes et al.

Design U.S. Appl. No. 29/435,470, filed Oct. 24, 2012, Inventors: Stephen W. Steffes et al.

(Continued)

Primary Examiner — Doris Clark

(74) *Attorney, Agent, or Firm* — Abel Law Group, LLP; Alexander H. Plache

(57) **CLAIM**

We claim the ornamental design for a frame for a manufactured siding panel, as shown and described.

DESCRIPTION

FIG. 1 is a front perspective view of a frame for a manufactured siding panel.

FIG. 2 is a rear perspective view thereof.

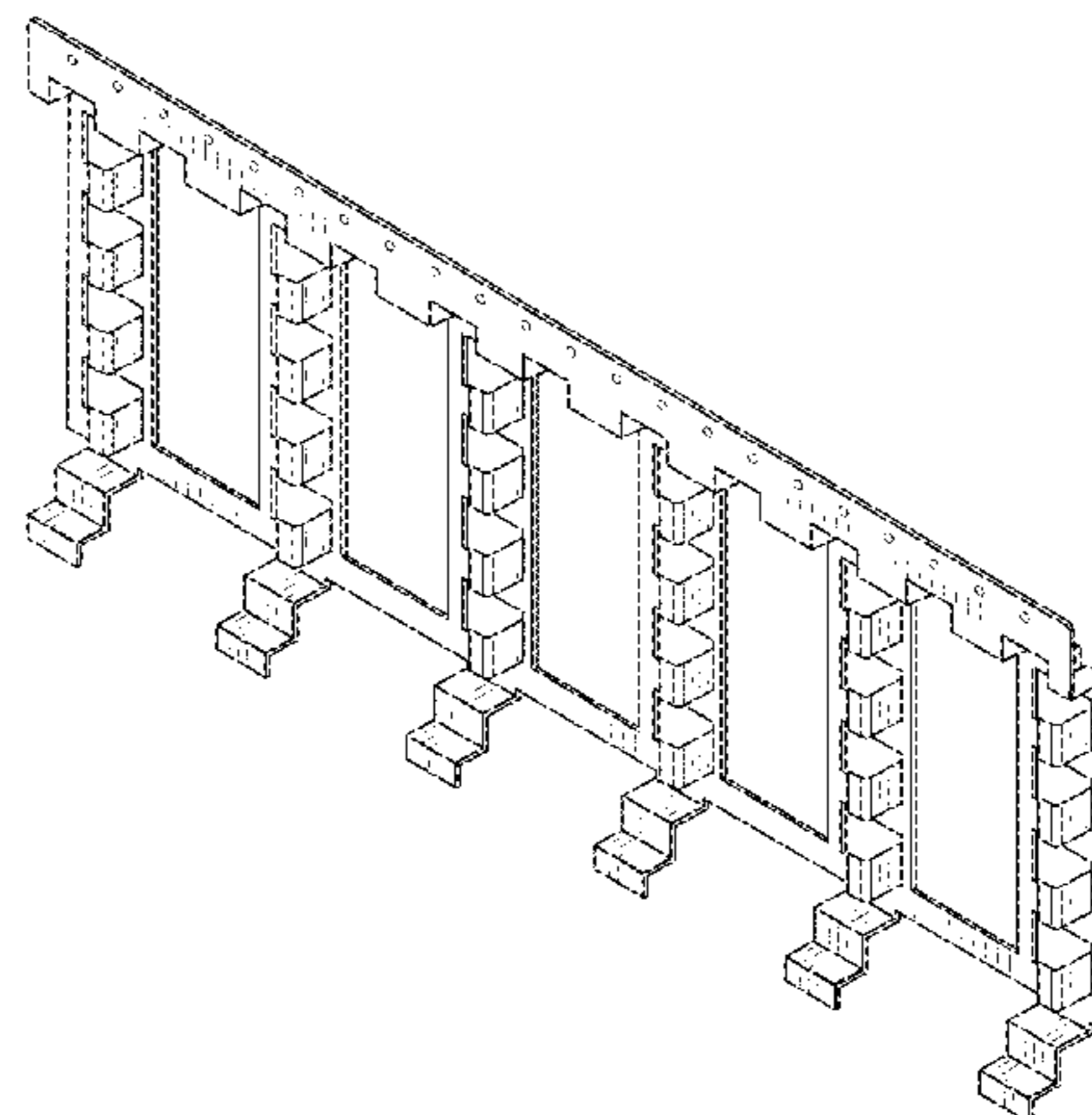
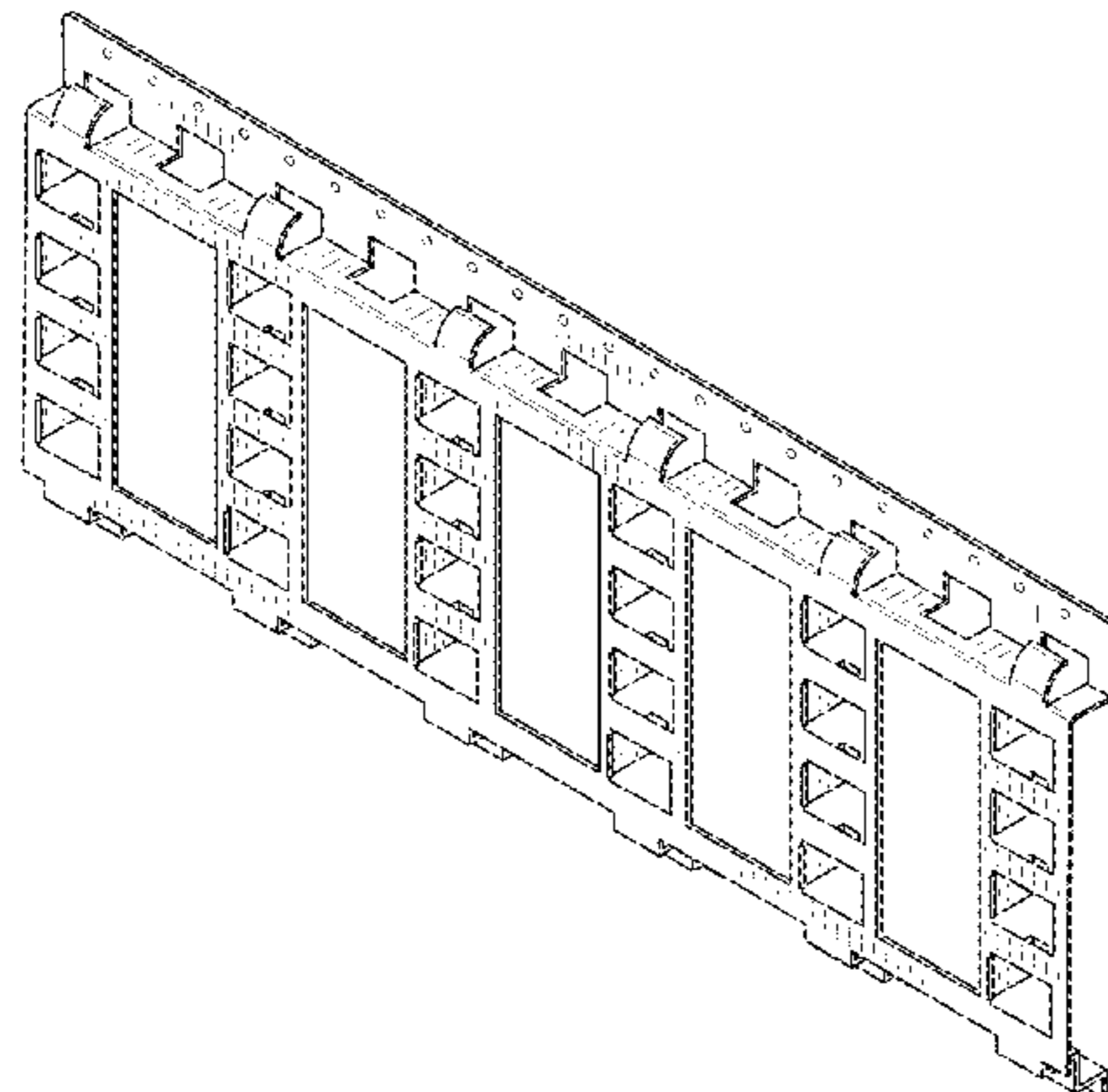
FIG. 3 is a left side view thereof.

FIG. 4 is a front view thereof.

FIG. 5 is a rear view thereof; and,

FIG. 6 is a right side view thereof.

1 Claim, 4 Drawing Sheets



(56)

References Cited

Design U.S. Appl. No. 29/470,754, filed Oct. 24, 2013, Inventors:

OTHER PUBLICATIONS

Stephen W. Steffes et al.

U.S. Appl. No. 14/060,318, filed Oct. 22, 2013, Inventors: Stephen W.
Steffes et al.

* cited by examiner

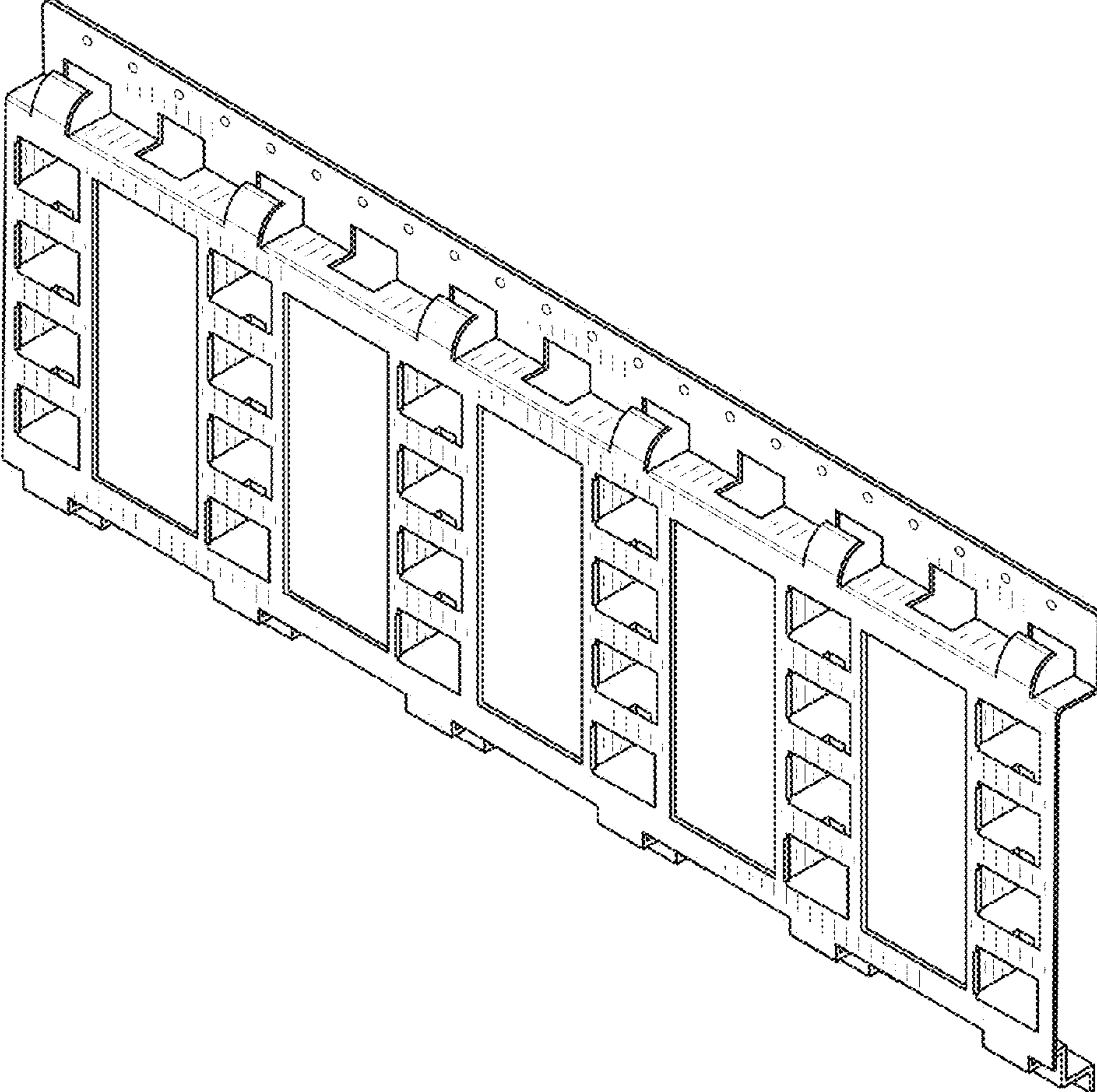


FIG. 1

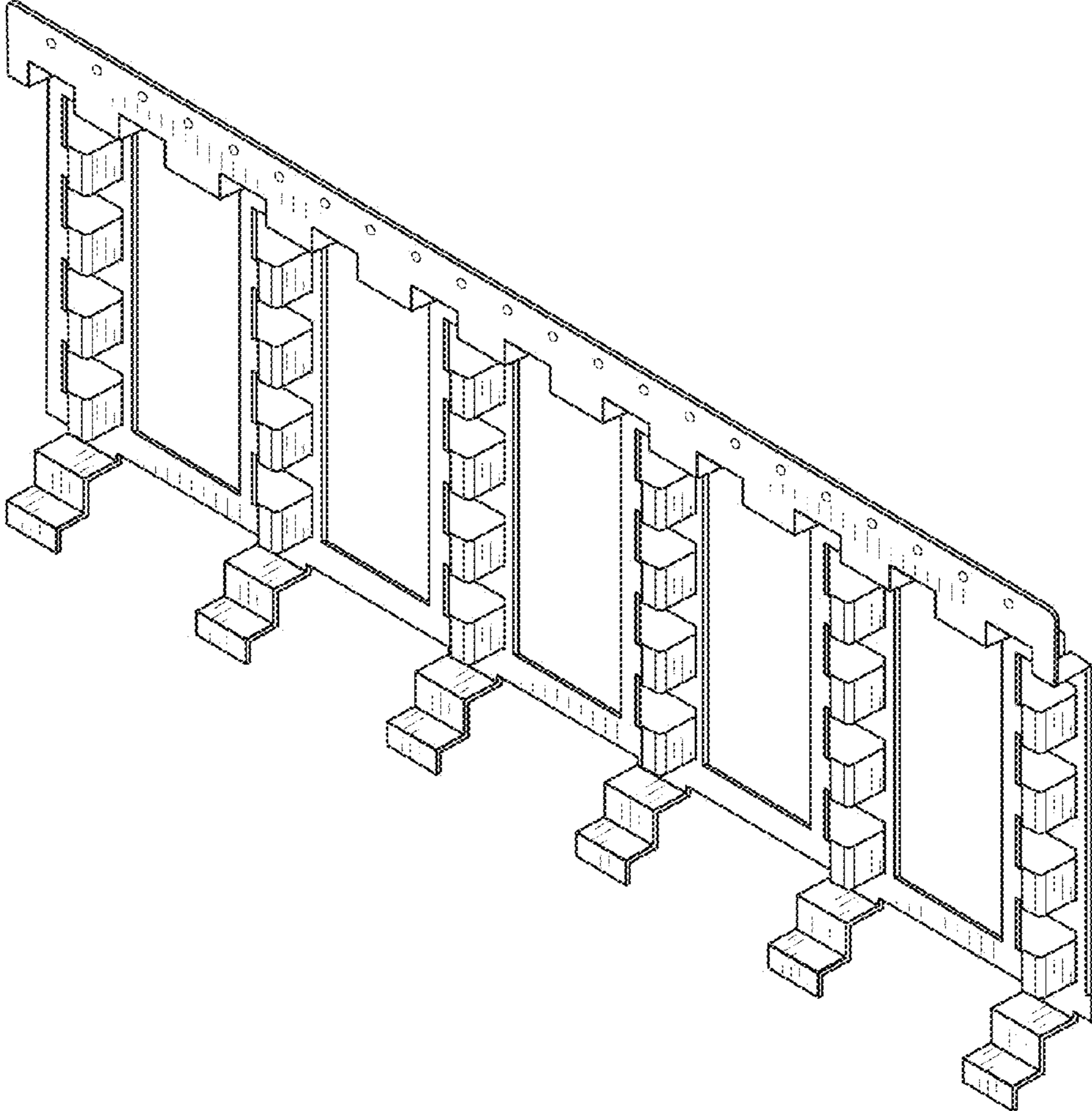


FIG. 2

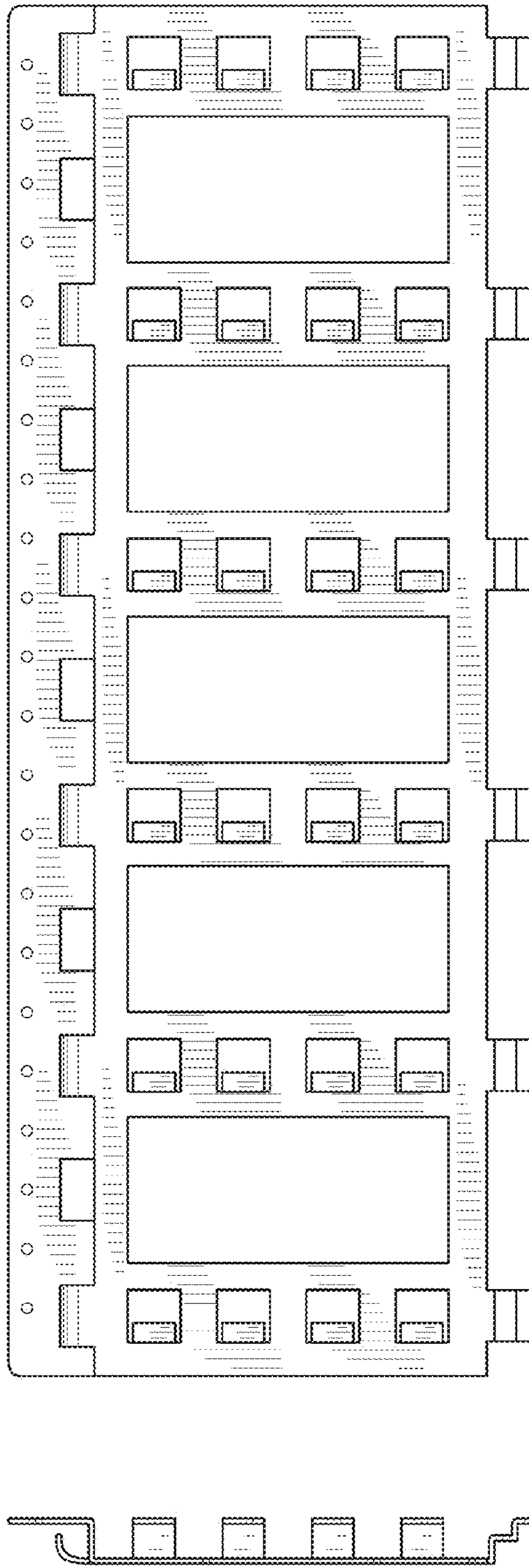


FIG. 4

FIG. 3

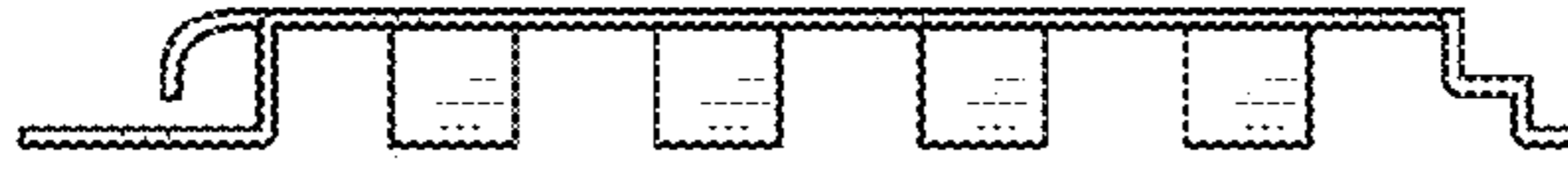


FIG. 6

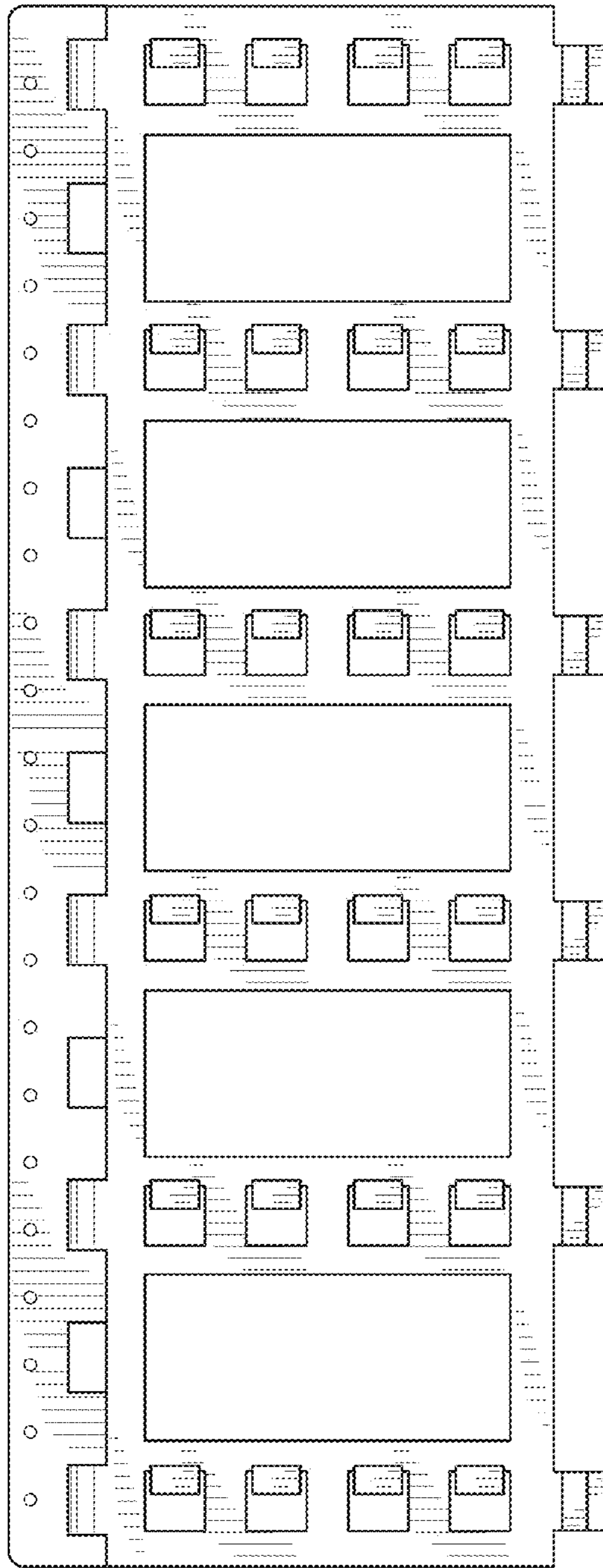


FIG. 5