



US00D742033S

(12) **United States Design Patent**  
**Wysock et al.**

(10) **Patent No.:** **US D742,033 S**  
(45) **Date of Patent:** **\*\* Oct. 27, 2015**

(54) **DOOR FACING**

**DESCRIPTION**

- (71) Applicant: **Masonite Corporation**, Tampa, FL (US)
- (72) Inventors: **Gregory J. Wysock**, Huntley, IL (US);  
**Timothy D. Gouge**, Elgin, IL (US);  
**Patrick Ege**, Elmhurst, IL (US)
- (73) Assignee: **Masonite Corporation**, Tampa, FL (US)
- (\*\*) Term: **14 Years**
- (21) Appl. No.: **29/507,521**
- (22) Filed: **Oct. 28, 2014**

**Related U.S. Application Data**

- (63) Continuation of application No. 29/471,192, filed on Oct. 29, 2013, now Pat. No. Des. 716,472.
- (51) **LOC (10) Cl.** ..... **25-02**
- (52) **U.S. Cl.**  
USPC ..... **D25/48.3**
- (58) **Field of Classification Search**  
USPC ..... D25/48.3; 52/455, 458, 784.13; 49/504  
See application file for complete search history.

**References Cited**

**U.S. PATENT DOCUMENTS**

4,030,246	A	6/1977	Naylor	
5,614,231	A *	3/1997	Rinker	425/394
D530,431	S	10/2006	Walsh et al.	
D582,565	S	12/2008	Colston et al.	
D607,579	S	1/2010	Walsh et al.	
D616,109	S	5/2010	Steiber et al.	
D617,005	S	6/2010	Mullet	
D638,956	S *	5/2011	Walsh et al.	D25/48.3

(Continued)

*Primary Examiner* — Doris Clark

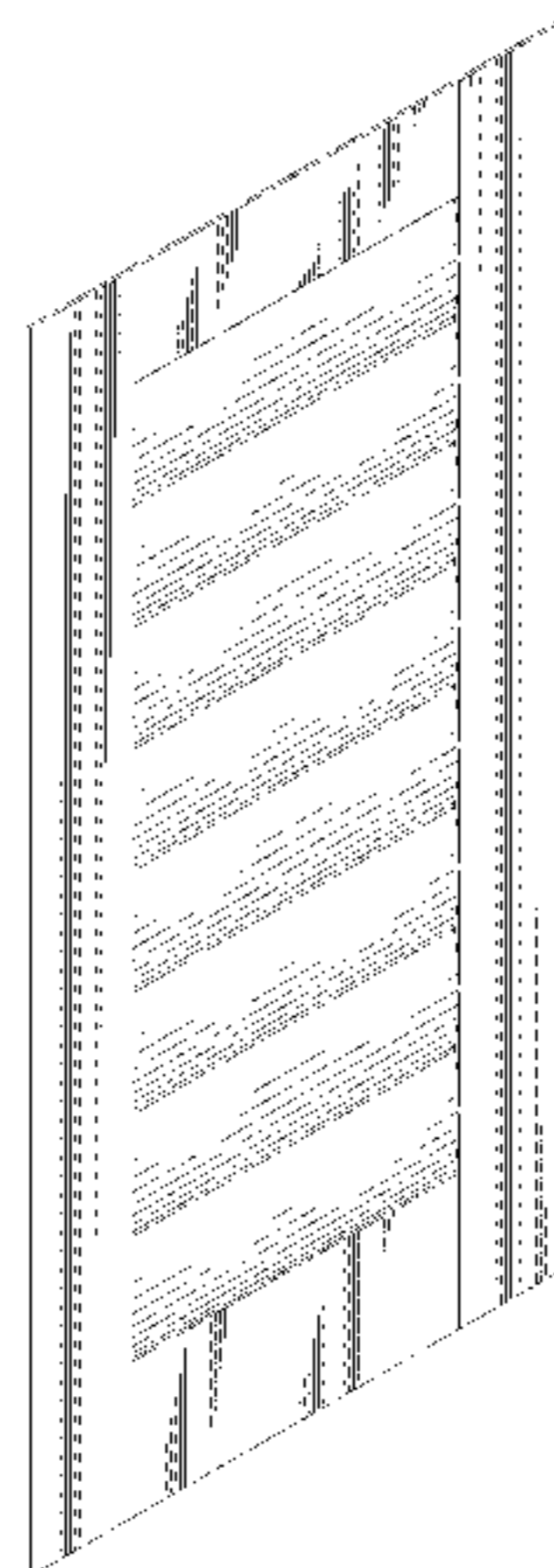
(74) *Attorney, Agent, or Firm* — Berenato & White, LLC

(57) **CLAIM**

The ornamental design for a door facing, as shown and described.

FIG. 1 is a front perspective view of our design;  
 FIG. 2 is a front elevational view;  
 FIG. 3 is an enlarged fragmentary elevational view of a portion of FIG. 2;  
 FIG. 4 is a rear elevational view;  
 FIG. 5 is a top plan view;  
 FIG. 6 is a bottom plan view;  
 FIG. 7 is a cross sectional view taken along the line 7-7 of FIG. 2;  
 FIG. 8 is an enlarged fragmentary cross sectional view of a portion of FIG. 7;  
 FIG. 9 is a left side elevational view;  
 FIG. 10 is a right side elevational view;  
 FIG. 11 is a cross sectional view taken along the line 11-11 of FIG. 2;  
 FIG. 12 is an enlarged fragmentary cross sectional view of a portion of FIG. 11;  
 FIG. 13 is a front perspective view of another version of our design;  
 FIG. 14 is a front elevational view of FIG. 13;  
 FIG. 15 is an enlarged fragmentary elevational view of a portion of FIG. 14;  
 FIG. 16 is a rear elevational view of FIG. 13;  
 FIG. 17 is a top plan view of FIG. 14;  
 FIG. 18 is a bottom plan view of FIG. 14;  
 FIG. 19 is a cross sectional view taken along the line 19-19 of FIG. 14;  
 FIG. 20 is an enlarged fragmentary cross sectional view of a portion of FIG. 19;  
 FIG. 21 is a left side elevational view of FIG. 14;  
 FIG. 22 is a right side elevational view of FIG. 14;  
 FIG. 23 is a cross sectional view taken along the line 23-23 of FIG. 14; and,  
 FIG. 24 is an enlarged fragmentary cross sectional view of a portion of FIG. 23.

**1 Claim, 14 Drawing Sheets**



# US D742,033 S

Page 2

---

(56)

## References Cited

U.S. PATENT DOCUMENTS

D716,471 S 10/2014 Wysock et al.

2004/0139673 A1\* 7/2004 Luetgert et al. .... 52/313  
2011/0036036 A1 2/2011 Thompson et al.  
2011/0107703 A1 5/2011 Mullet

\* cited by examiner

Fig. 1

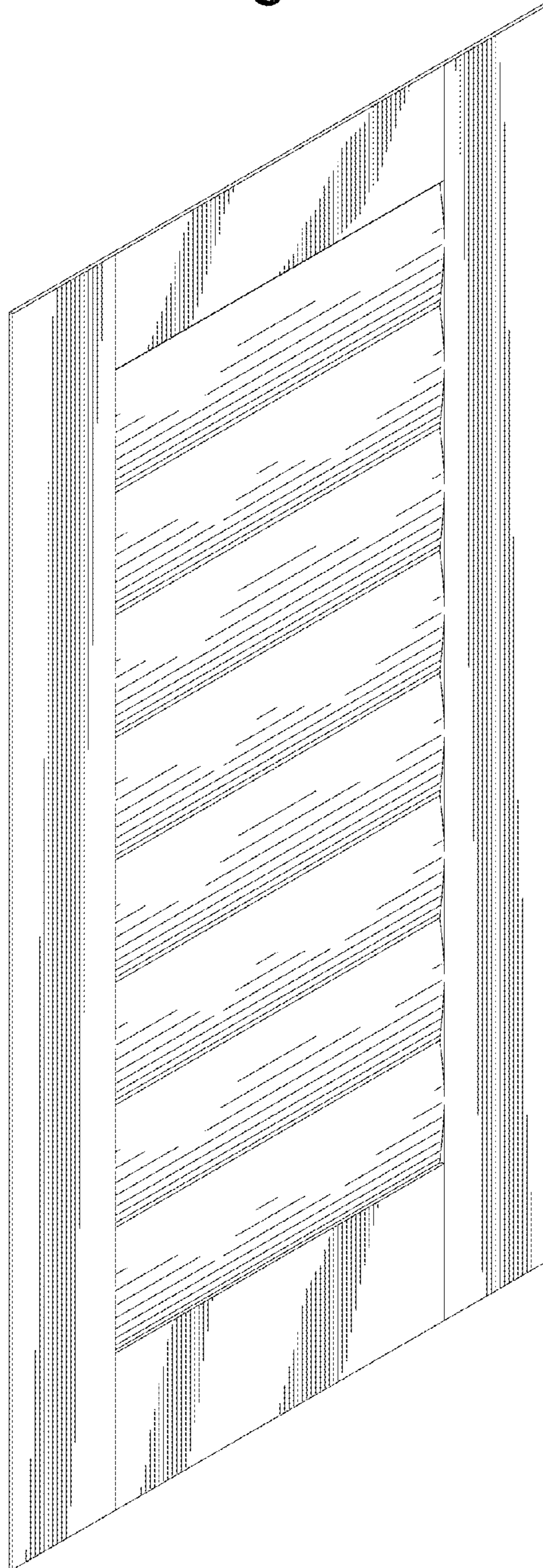


Fig. 2

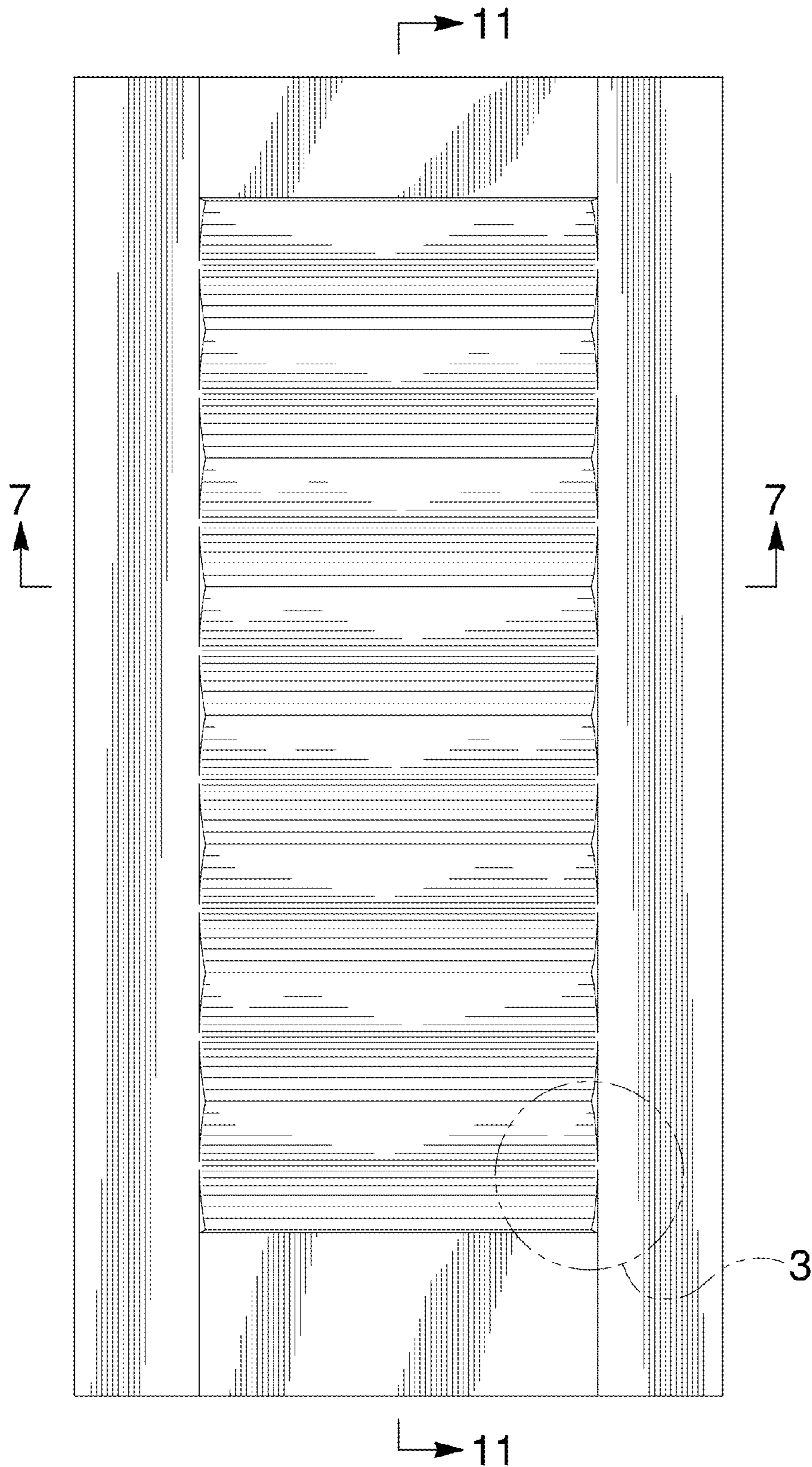


Fig. 3

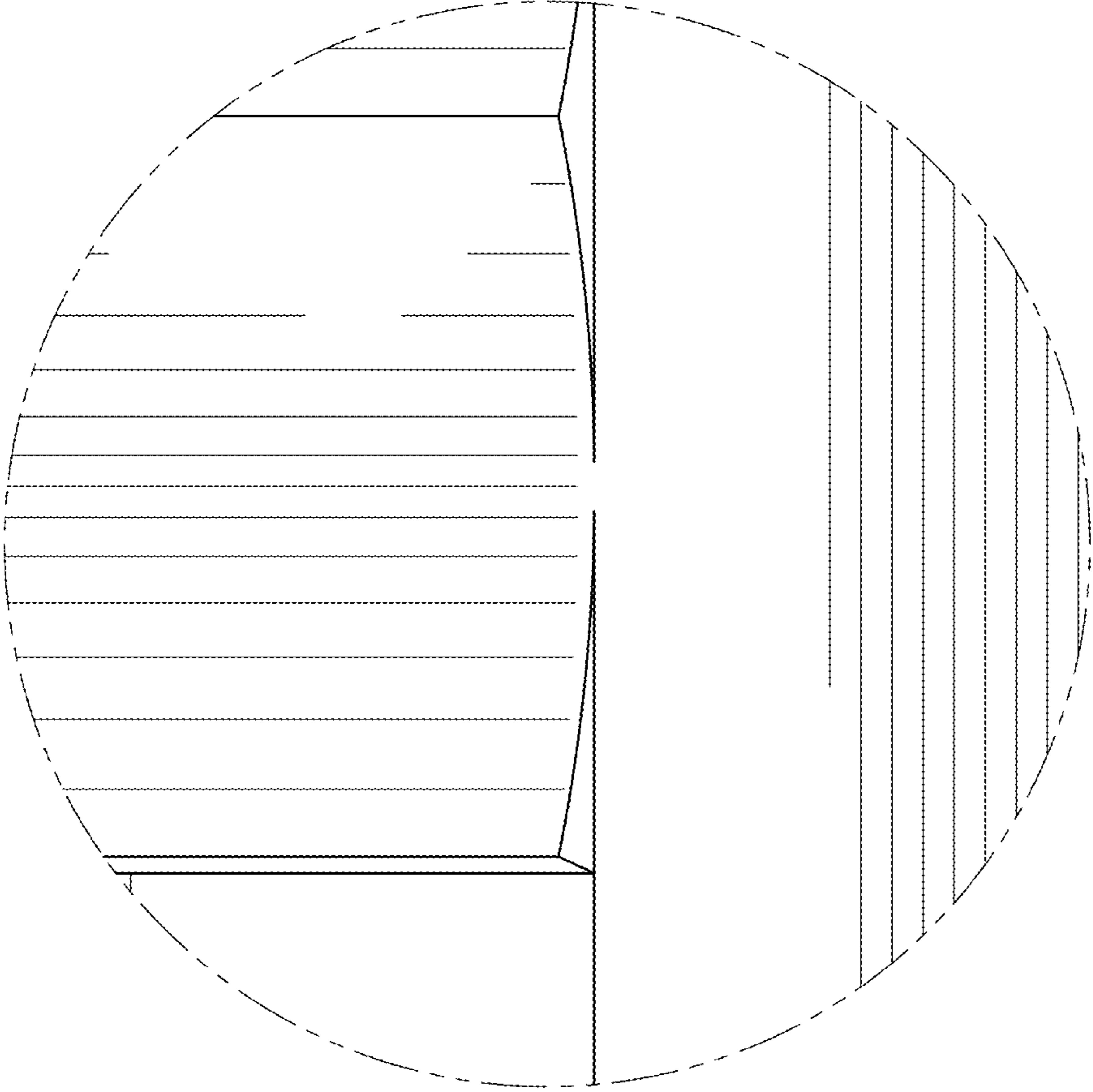


Fig. 4

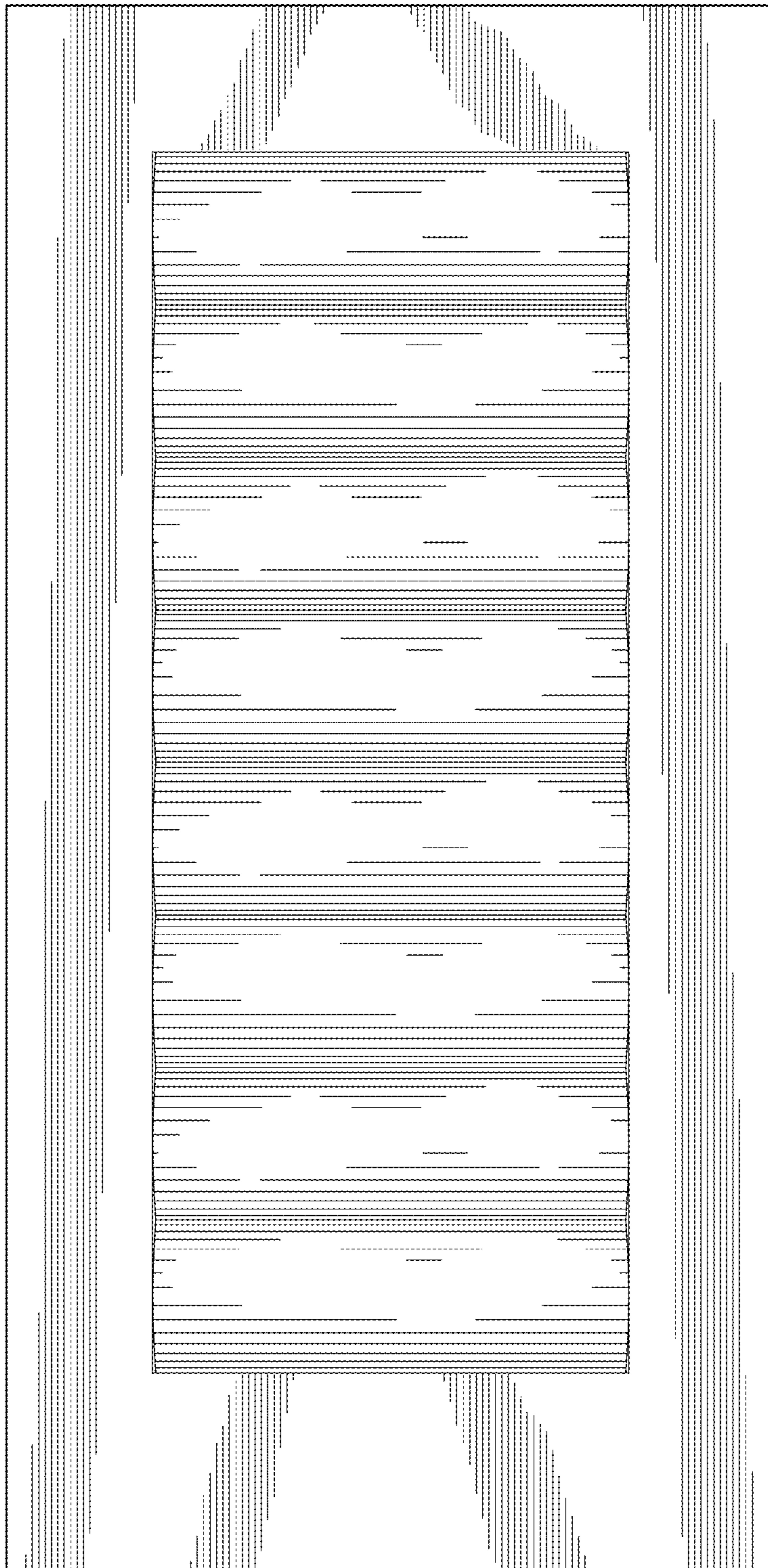


Fig. 5

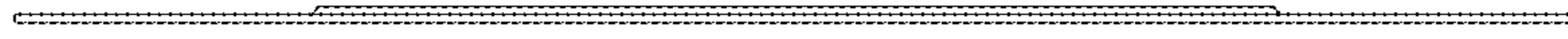


Fig. 6

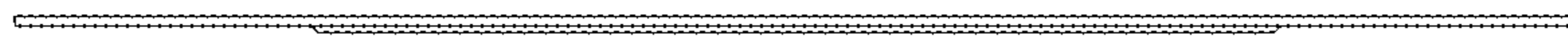


Fig. 7

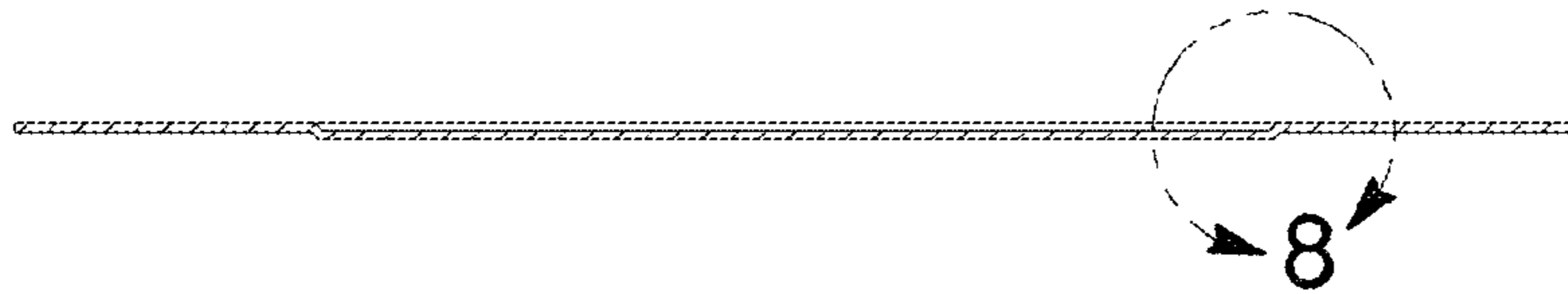


Fig. 8

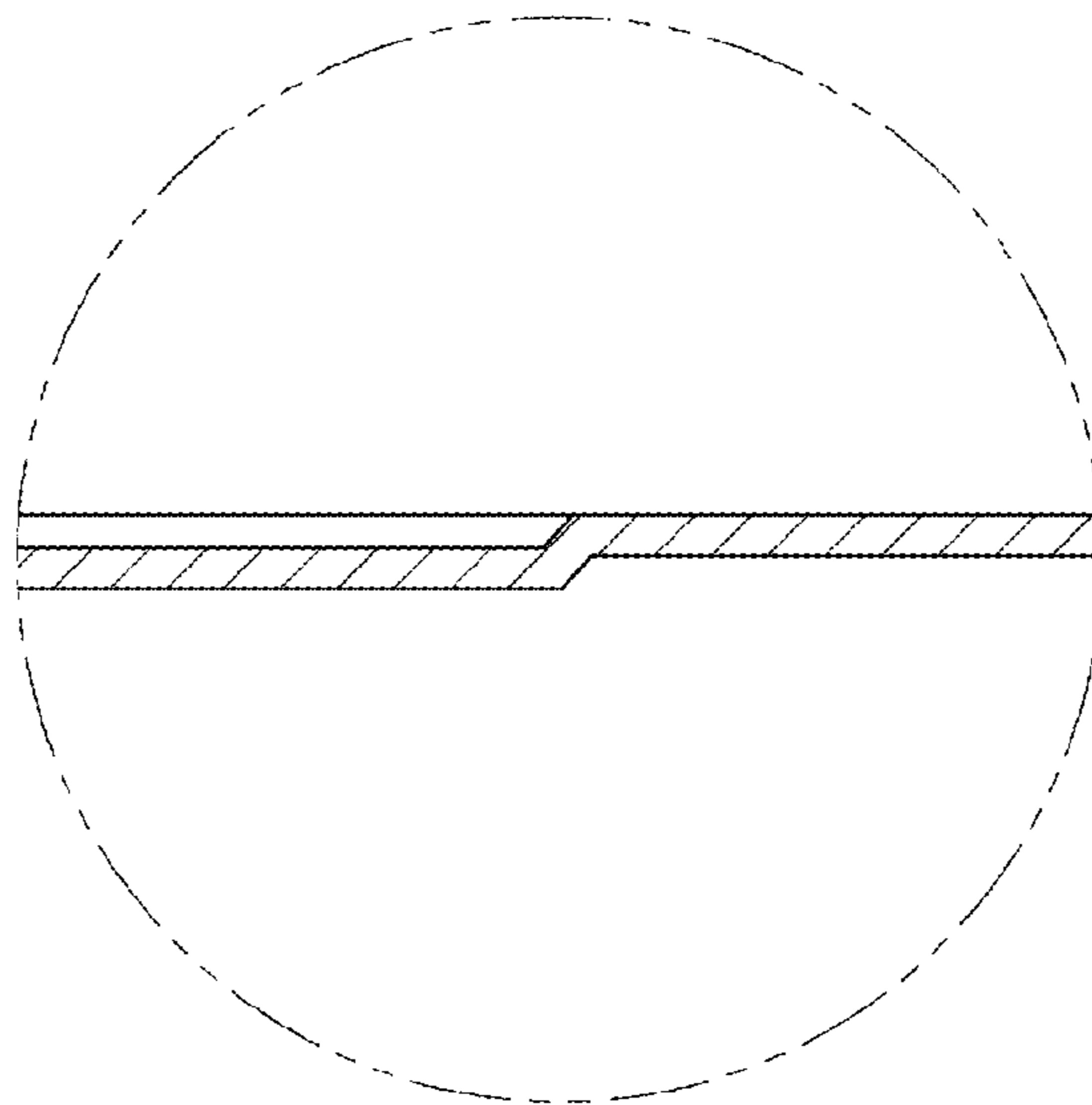


Fig. 9



Fig. 10

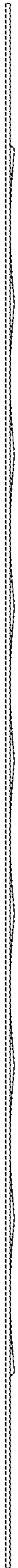


Fig. 11

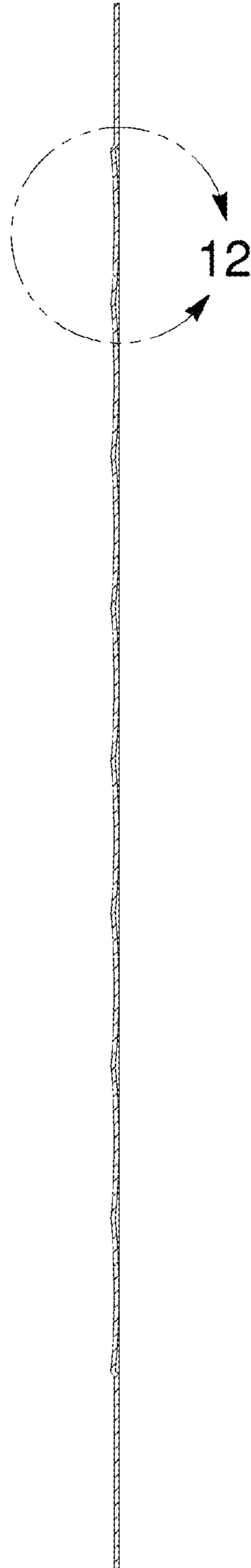




Fig. 12

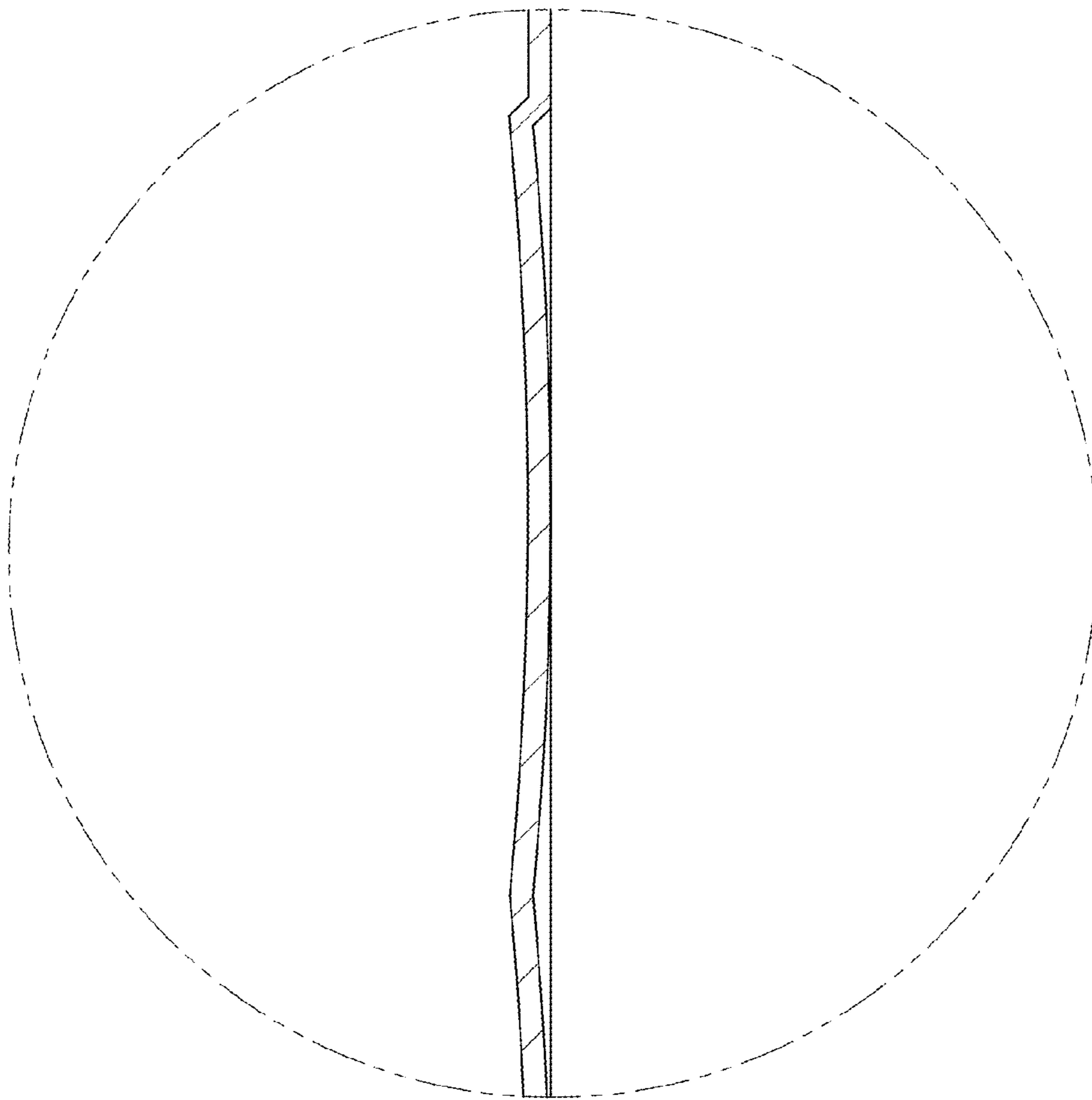


Fig. 13

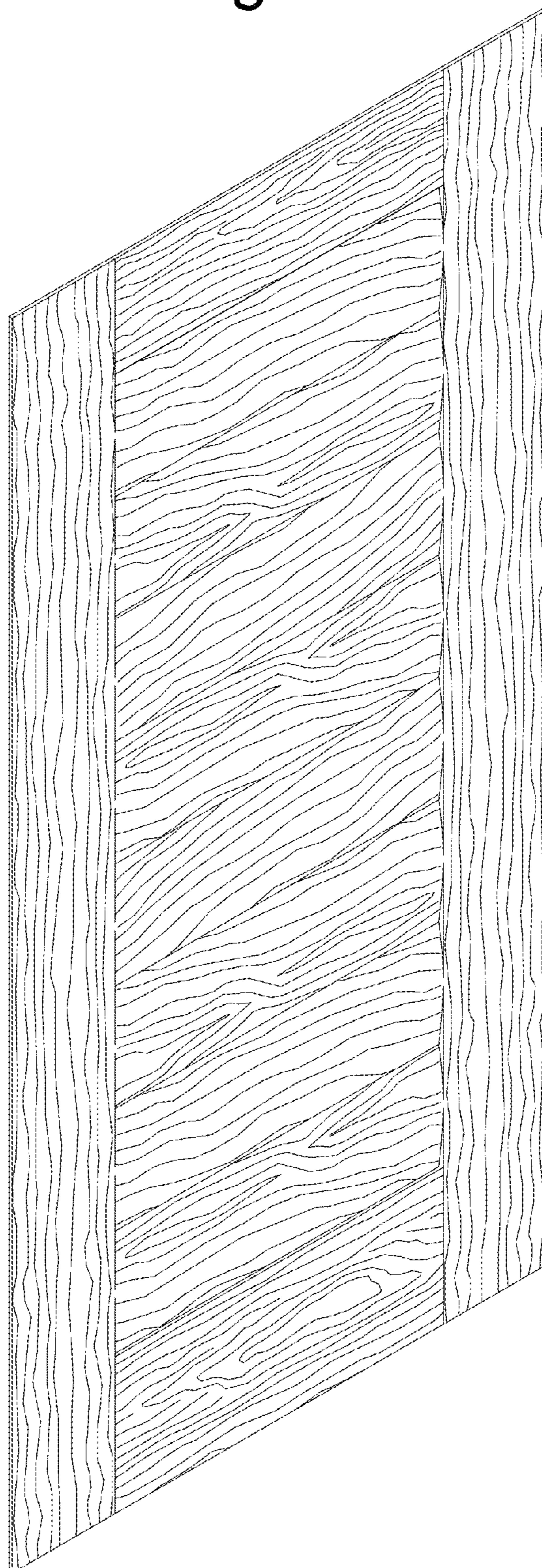


Fig. 14

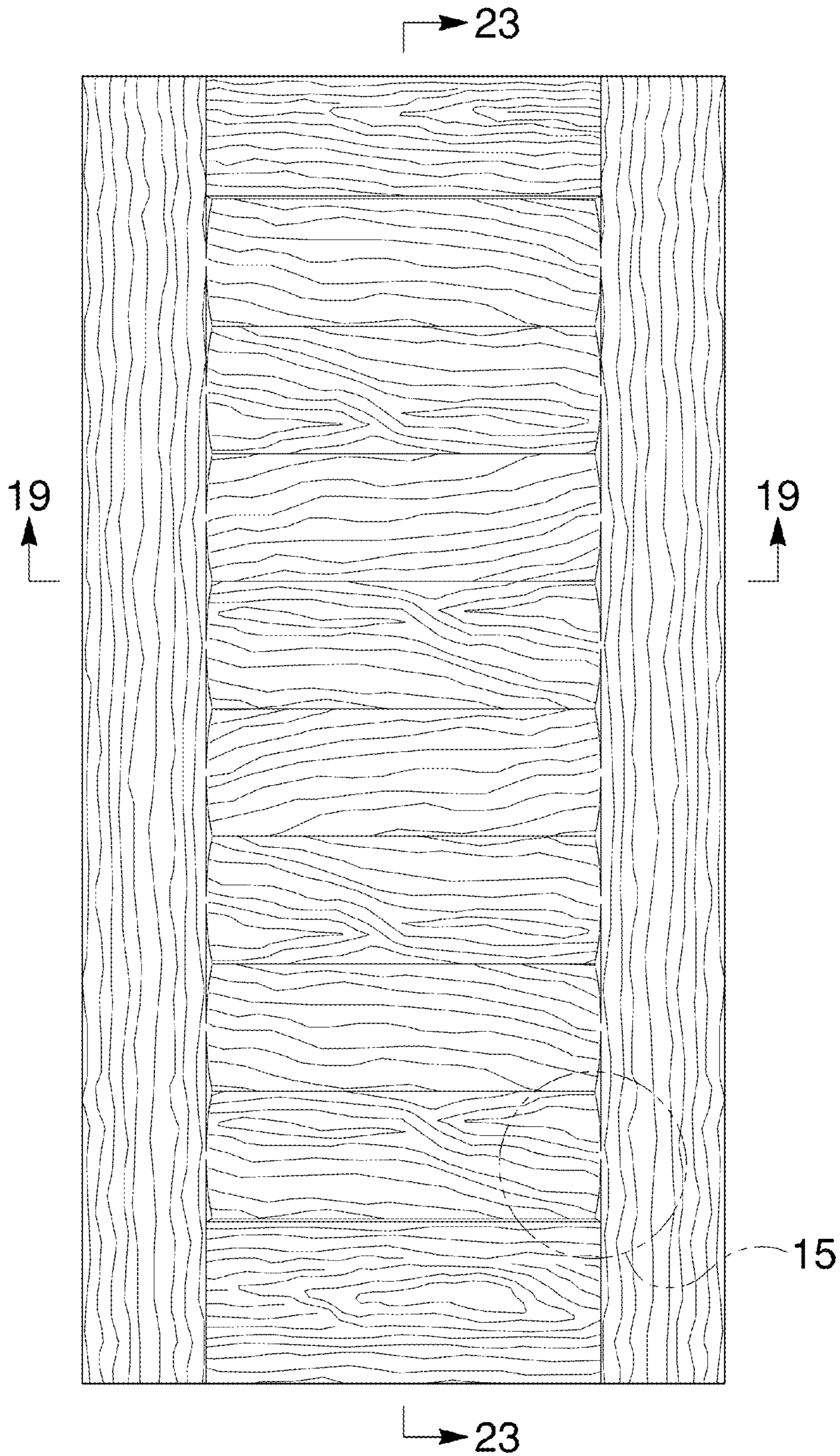


Fig. 15

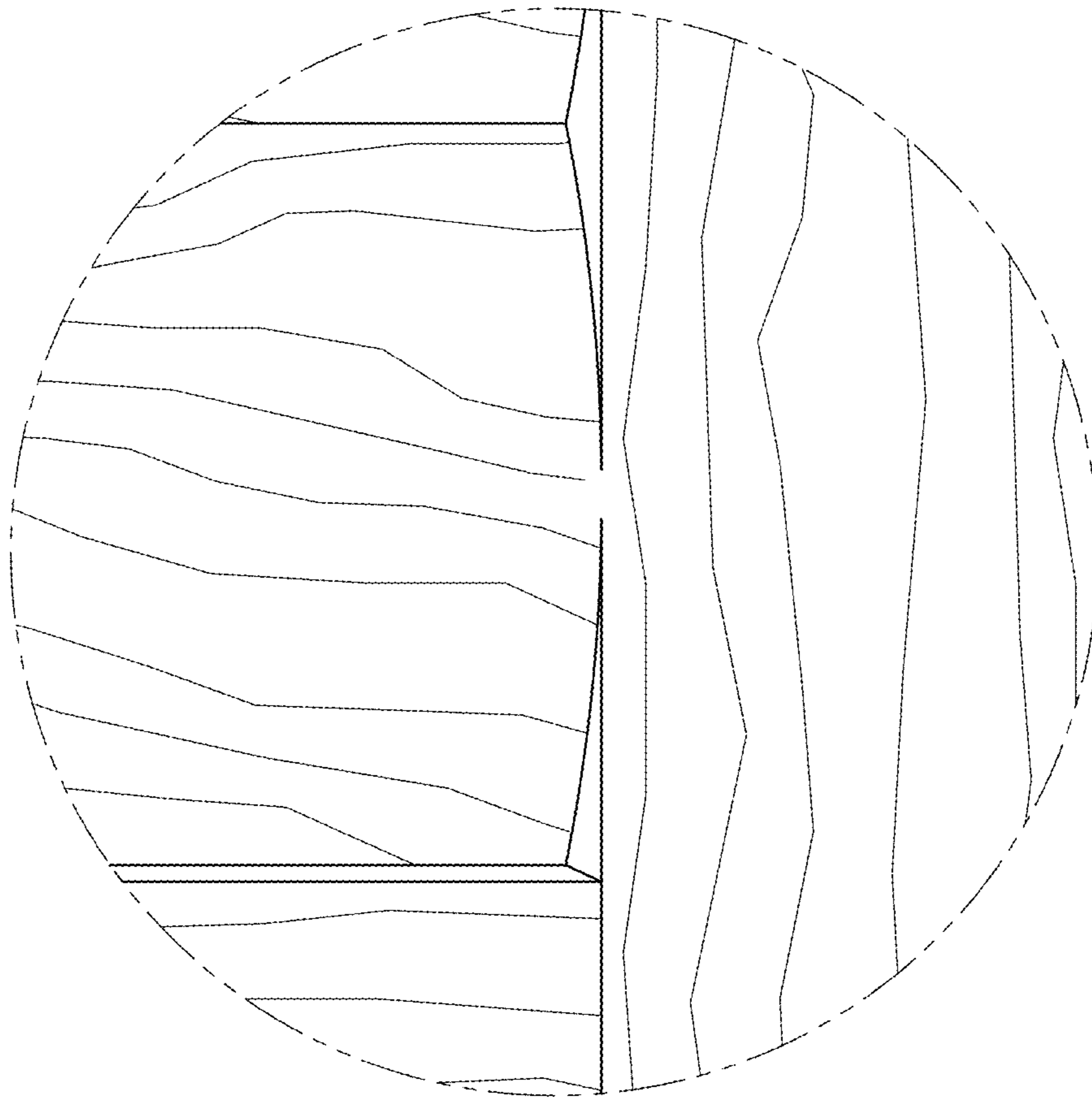


Fig. 16

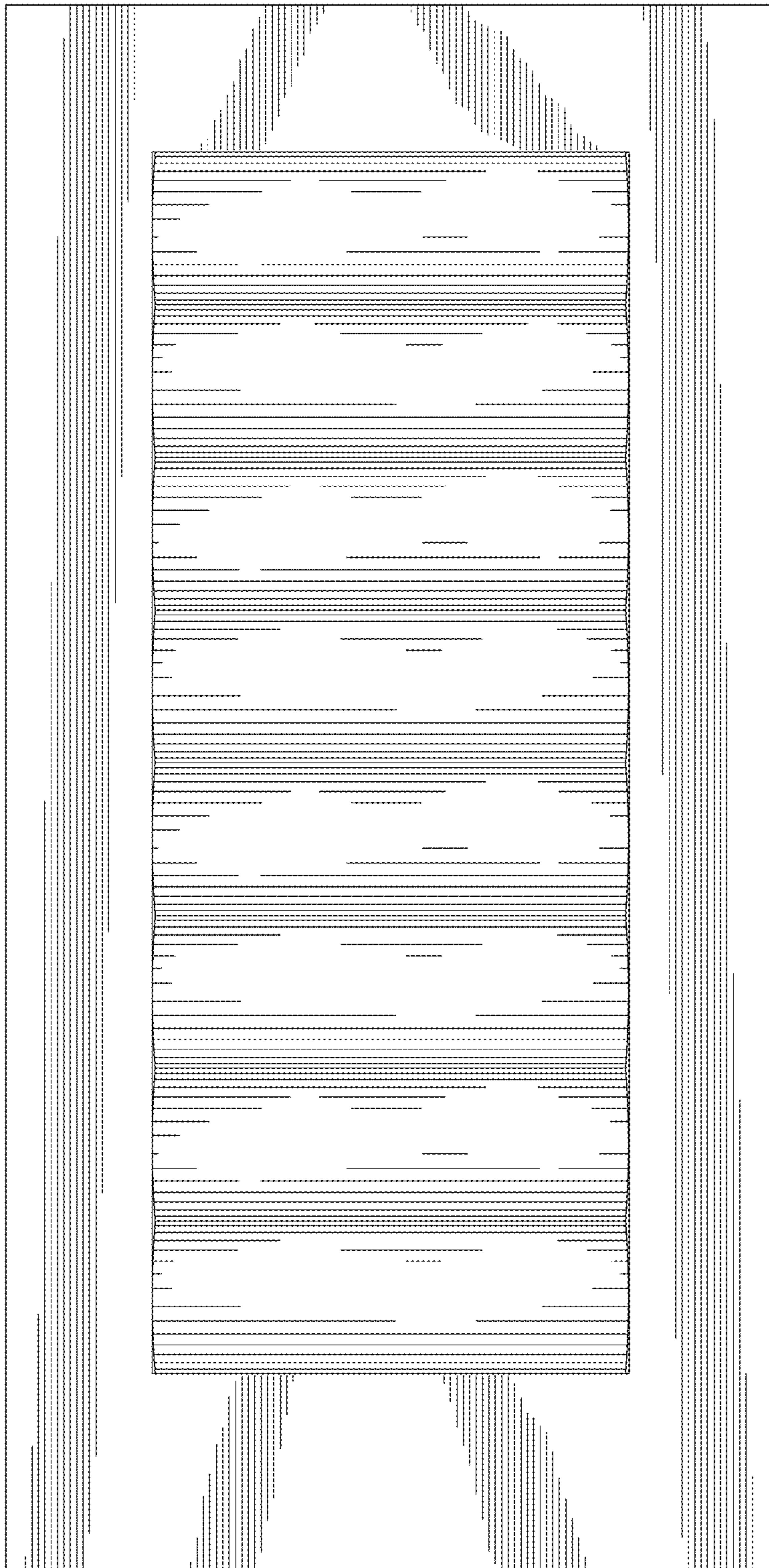


Fig. 17

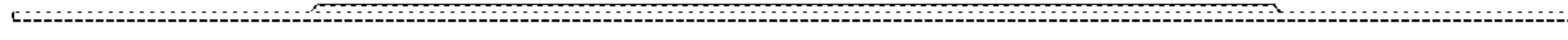


Fig. 18

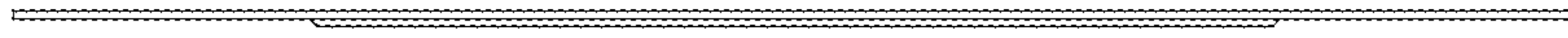


Fig. 19

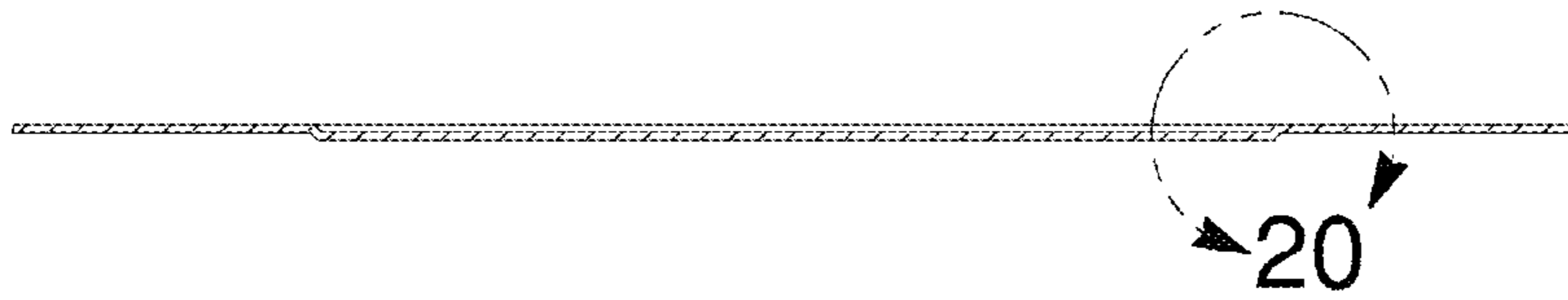


Fig. 20

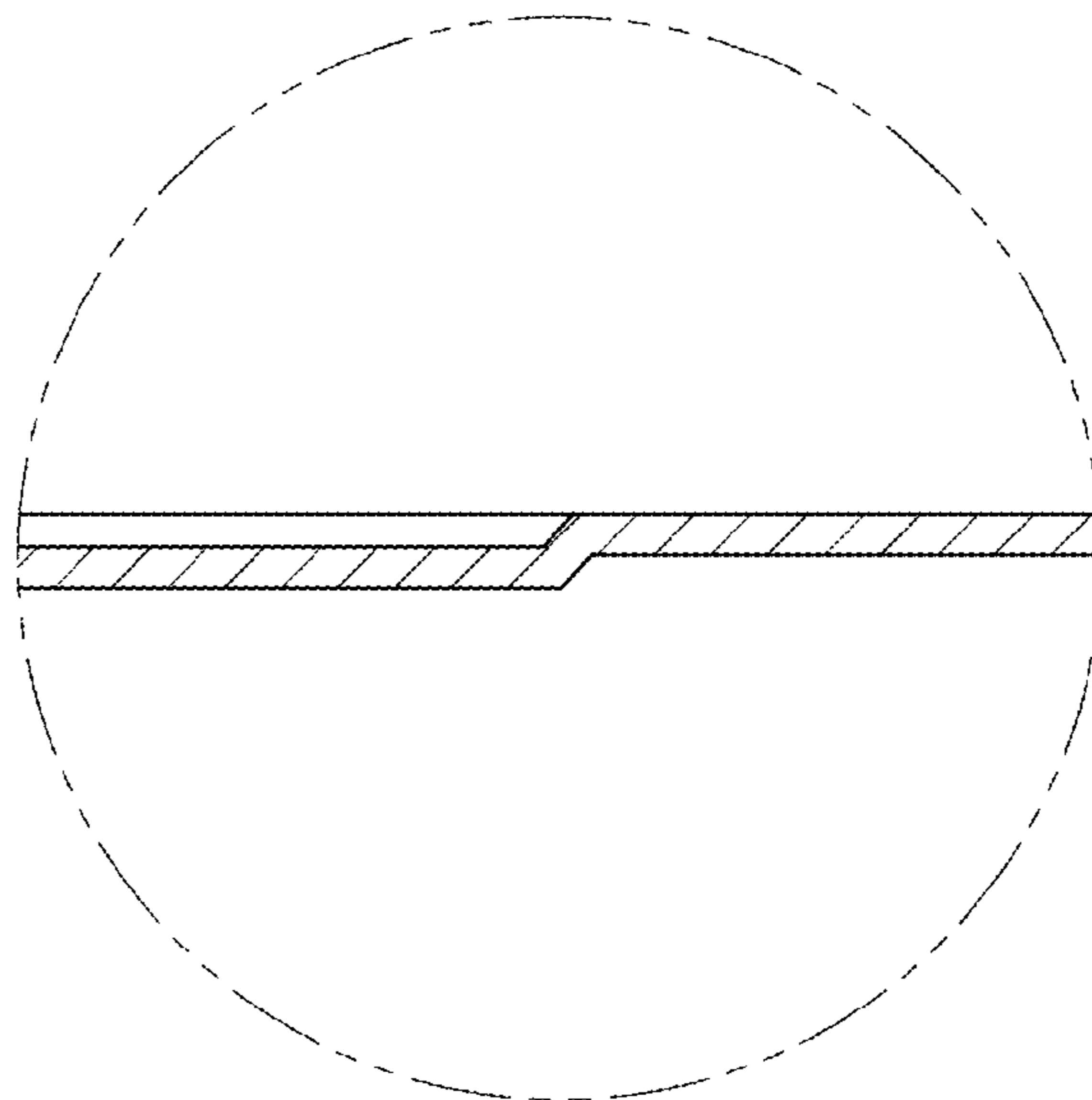


Fig. 21



Fig. 22

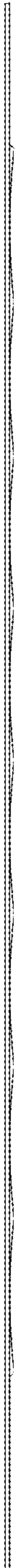


Fig. 23

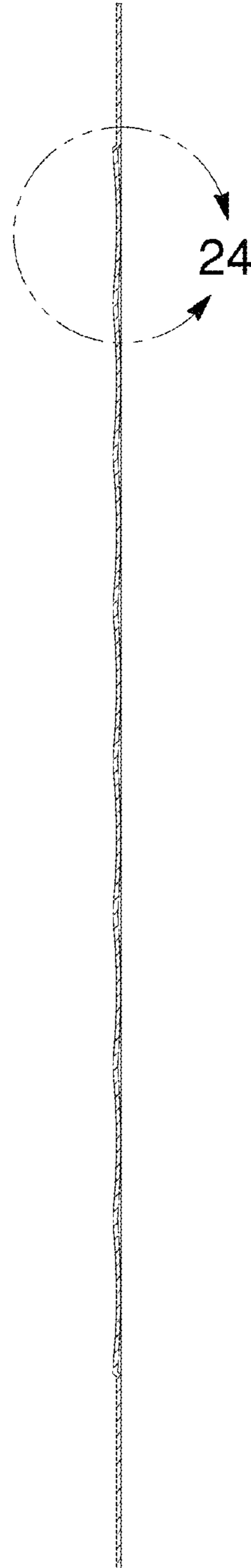


Fig. 24

