



US00D742032S

(12) **United States Design Patent**
Smith et al.

(10) **Patent No.:** **US D742,032 S**
(45) **Date of Patent:** **** *Oct. 27, 2015**

(54) **DOOR SILL**

(56) **References Cited**

(71) Applicant: **Centor Design Pty Ltd**, Eagle Farm (AU)

U.S. PATENT DOCUMENTS

(72) Inventors: **Michael Smith**, Hamilton (AU); **Nigel Spork**, Hendra (AU)

| | | | | | |
|-----------|---|---|---------|----------------|---------|
| 163,224 | A | * | 5/1875 | McEy | 49/471 |
| 386,084 | A | * | 7/1888 | Pratt et al. | 49/468 |
| 414,382 | A | * | 11/1889 | Dowd | 49/468 |
| 502,644 | A | * | 8/1893 | Vallandingham | 49/470 |
| 578,273 | A | * | 3/1897 | Smith | 49/469 |
| 600,301 | A | * | 3/1898 | Barger | 49/469 |
| 600,984 | A | * | 3/1898 | Wilson | 49/468 |
| 678,080 | A | * | 7/1901 | Wilt | 49/469 |
| 884,847 | A | * | 4/1908 | Oslin | 14/69.5 |
| 1,320,494 | A | * | 11/1919 | Plym | 49/470 |
| 1,890,672 | A | * | 12/1932 | Coco | 49/467 |
| 1,910,260 | A | * | 5/1933 | Reher | 49/467 |
| 1,936,641 | A | * | 11/1933 | Plym | 49/470 |
| 2,010,609 | A | * | 8/1935 | Shogren | 49/470 |
| 2,129,381 | A | * | 9/1938 | Oftedal et al. | 49/471 |
| 2,496,445 | A | * | 2/1950 | Daniels | 14/69.5 |
| 2,572,154 | A | * | 10/1951 | Howard | 49/467 |
| 2,728,961 | A | * | 1/1956 | Lyon | 49/469 |
| 2,875,481 | A | * | 3/1959 | Erkkila | 49/467 |
| 2,903,757 | A | * | 9/1959 | Loehr | 49/469 |

(73) Assignee: **Centor Design Pty Ltd**, Eagle Farm (AU)

(*) Notice: This patent is subject to a terminal disclaimer.

(**) Term: **14 Years**

(21) Appl. No.: **29/477,015**

(22) Filed: **Dec. 18, 2013**

(30) **Foreign Application Priority Data**

Jun. 20, 2013 (AU) 12845/2013

(51) **LOC (10) Cl.** **25-02**

(52) **U.S. Cl.**
USPC **D25/48.2**

(58) **Field of Classification Search**
USPC D25/48.2, 48.3, 48.4, 47.1, 48.1, 48.8, D25/55, 59, 60, 125; 49/466-505, 380; 52/204.1, 211, 204.55, 210, 212-214, 52/204.56, 204.71, 204.72, 207, 293.3, 52/205, 741.4, 12, 3, 204.54
CPC ... E06B 3/9632; E06B 3/663; E06B 3/66342; E06B 6/66347; E06B 3/66352; E06B 1/70; E06B 2001/707; E06B 7/14; E06B 7/18; E06B 7/22; E06B 7/26; E06B 7/205; E06B 7/231; E06B 7/2312; E06B 7/2314; E06B 7/2316

See application file for complete search history.

(Continued)

Primary Examiner — Susan Moon Lee

(74) *Attorney, Agent, or Firm* — Wells St. John P.S.

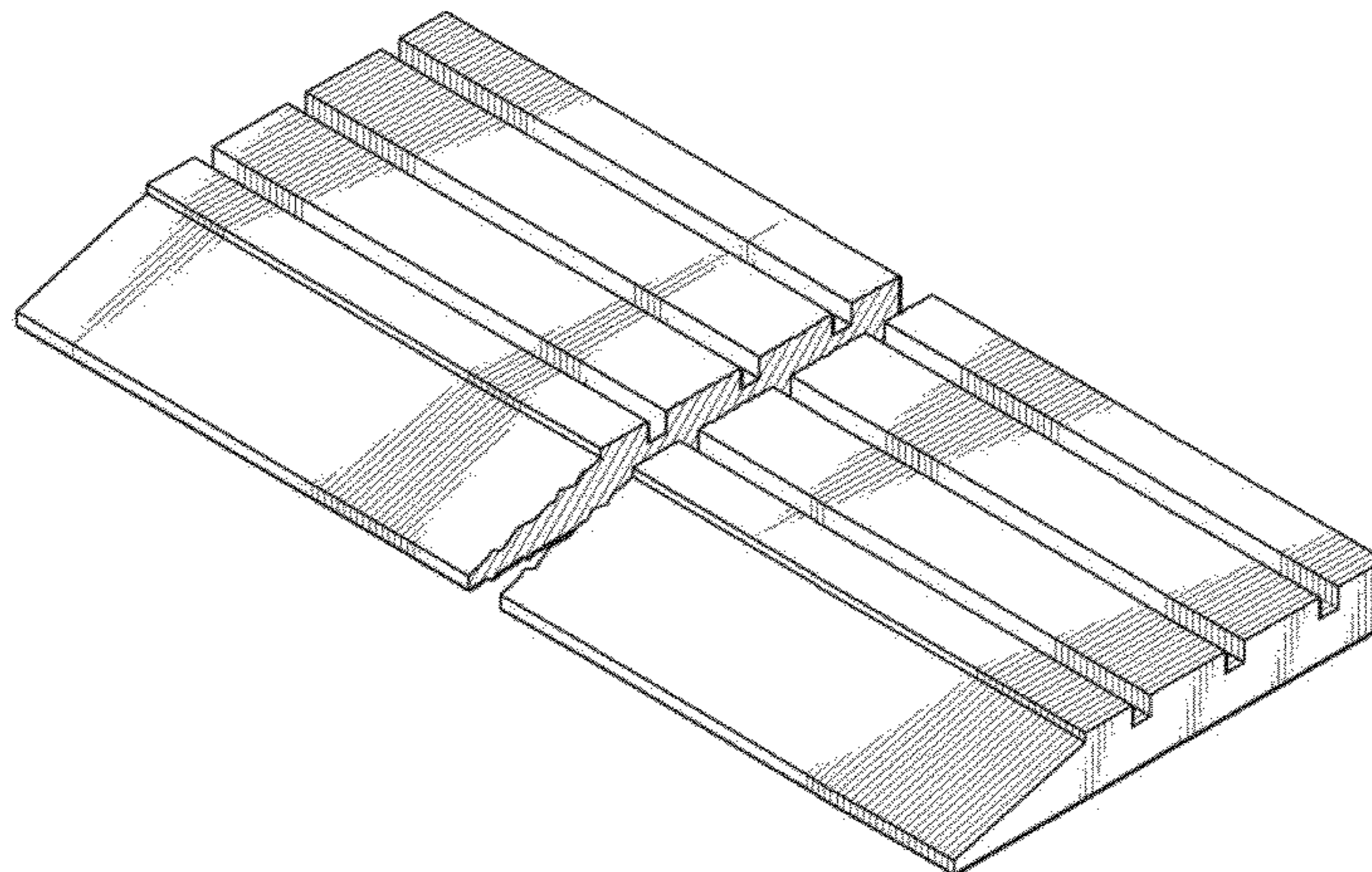
(57) **CLAIM**

We claim the ornamental design for a door sill, as shown and described.

DESCRIPTION

FIG. 1 is a front perspective view of a door sill;
FIG. 2 is a top plan view thereof;
FIG. 3 is a bottom plan view thereof;
FIG. 4 is a front view thereof;
FIG. 5 is a rear view thereof; and,
FIG. 6 is a side view thereof, the opposite side view having the same configuration.
The door sill of the present design is depicted in a 'broken-away' manner. The appearance of any portion of the article between the break lines forms no part of the claimed design.

1 Claim, 4 Drawing Sheets



(56)

References Cited

U.S. PATENT DOCUMENTS

| | | | | | | | | | |
|-----------|-----|---------|------------------|----------|--------------|------|---------|-----------------|-----------|
| 3,153,798 | A * | 10/1964 | Drevitson | 14/69.5 | 5,469,665 | A * | 11/1995 | Biebuyck | 49/470 |
| 3,250,040 | A * | 5/1966 | Squires | 49/482.1 | 5,469,666 | A * | 11/1995 | Lewis, Jr. | 49/471 |
| 3,273,287 | A * | 9/1966 | Pease, Jr. | 49/468 | 5,517,788 | A * | 5/1996 | McGough et al. | 49/468 |
| 3,410,027 | A * | 11/1968 | Bates | 49/471 | 5,611,173 | A * | 3/1997 | Headrick et al. | 49/468 |
| 3,555,762 | A * | 1/1971 | Costanzo, Jr. | 52/588.1 | 5,673,517 | A * | 10/1997 | Stanclift | 49/468 |
| 3,667,164 | A * | 6/1972 | Coppins | 49/469 | D401,361 | S * | 11/1998 | Mitchell | D25/138 |
| 3,851,420 | A * | 12/1974 | Tibbetts | 49/471 | 6,038,821 | A * | 3/2000 | Larson et al. | 52/97 |
| 4,079,550 | A * | 3/1978 | Bursk et al. | 49/467 | 6,041,560 | A * | 3/2000 | Larson et al. | 52/204.54 |
| 4,310,991 | A * | 1/1982 | Seely | 49/470 | 6,216,395 | B1 * | 4/2001 | Kelly | 49/467 |
| 4,329,752 | A * | 5/1982 | Forrest | 14/69.5 | D447,574 | S * | 9/2001 | Fening | D25/119 |
| 4,411,104 | A * | 10/1983 | St. Aubin | 49/470 | 6,718,588 | B1 * | 4/2004 | Frederiksen | 14/69.5 |
| 4,513,536 | A * | 4/1985 | Giguere | 49/470 | D502,556 | S * | 3/2005 | Zimmerle et al. | D25/138 |
| 4,686,793 | A * | 8/1987 | Mills | 49/471 | D514,236 | S * | 1/2006 | Glatz | D25/136 |
| 4,697,294 | A * | 10/1987 | Schafer | 14/69.5 | D532,115 | S * | 11/2006 | Shuman et al. | D25/55 |
| 4,817,224 | A * | 4/1989 | Visnaw et al. | 14/69.5 | D549,850 | S * | 8/2007 | Perlman | D25/119 |
| 4,831,779 | A * | 5/1989 | Kehrli et al. | 49/471 | 7,263,808 | B2 * | 9/2007 | Massey et al. | 52/204.1 |
| 4,922,661 | A * | 5/1990 | Dallaire et al. | 49/504 | 7,640,706 | B2 * | 1/2010 | Stanchfield | 52/464 |
| 5,018,307 | A * | 5/1991 | Burrous et al. | 49/471 | 7,900,294 | B2 * | 3/2011 | Luxton et al. | 4/604 |
| 5,067,279 | A * | 11/1991 | Hagemeyer | 49/471 | 7,950,094 | B2 * | 5/2011 | Bailie et al. | 14/69.5 |
| 5,136,814 | A * | 8/1992 | Headrick | 49/468 | D665,513 | S * | 8/2012 | Engel | D25/113 |
| 5,179,804 | A * | 1/1993 | Young | 49/471 | D676,157 | S * | 2/2013 | Johnston | D25/124 |
| D340,534 | S * | 10/1993 | McConnell et al. | D25/119 | 8,528,285 | B2 * | 9/2013 | Kornfalt | 52/395 |
| 5,283,977 | A * | 2/1994 | Smith | 49/380 | 8,539,731 | B2 * | 9/2013 | Stanchfield | 52/716.6 |
| D345,218 | S * | 3/1994 | Haskins | D25/60 | 8,857,107 | B1 * | 10/2014 | Key | 49/460 |
| 5,341,600 | A * | 8/1994 | Heppner | 49/471 | 2002/0194787 | A1 * | 12/2002 | Bennett | 49/467 |
| 5,444,885 | A * | 8/1995 | Hanrahan et al. | 14/69.5 | 2004/0200153 | A1 * | 10/2004 | Khanlarian | 49/468 |
| 5,446,937 | A * | 9/1995 | Haskins | 14/69.5 | 2006/0174545 | A1 * | 8/2006 | Young | 49/468 |
| | | | | | 2008/0282626 | A1 * | 11/2008 | Powers, Jr. | 52/204.1 |
| | | | | | 2009/0165406 | A1 * | 7/2009 | Campbell et al. | 52/211 |
| | | | | | 2012/0047808 | A1 * | 3/2012 | Davidson | 49/381 |

* cited by examiner

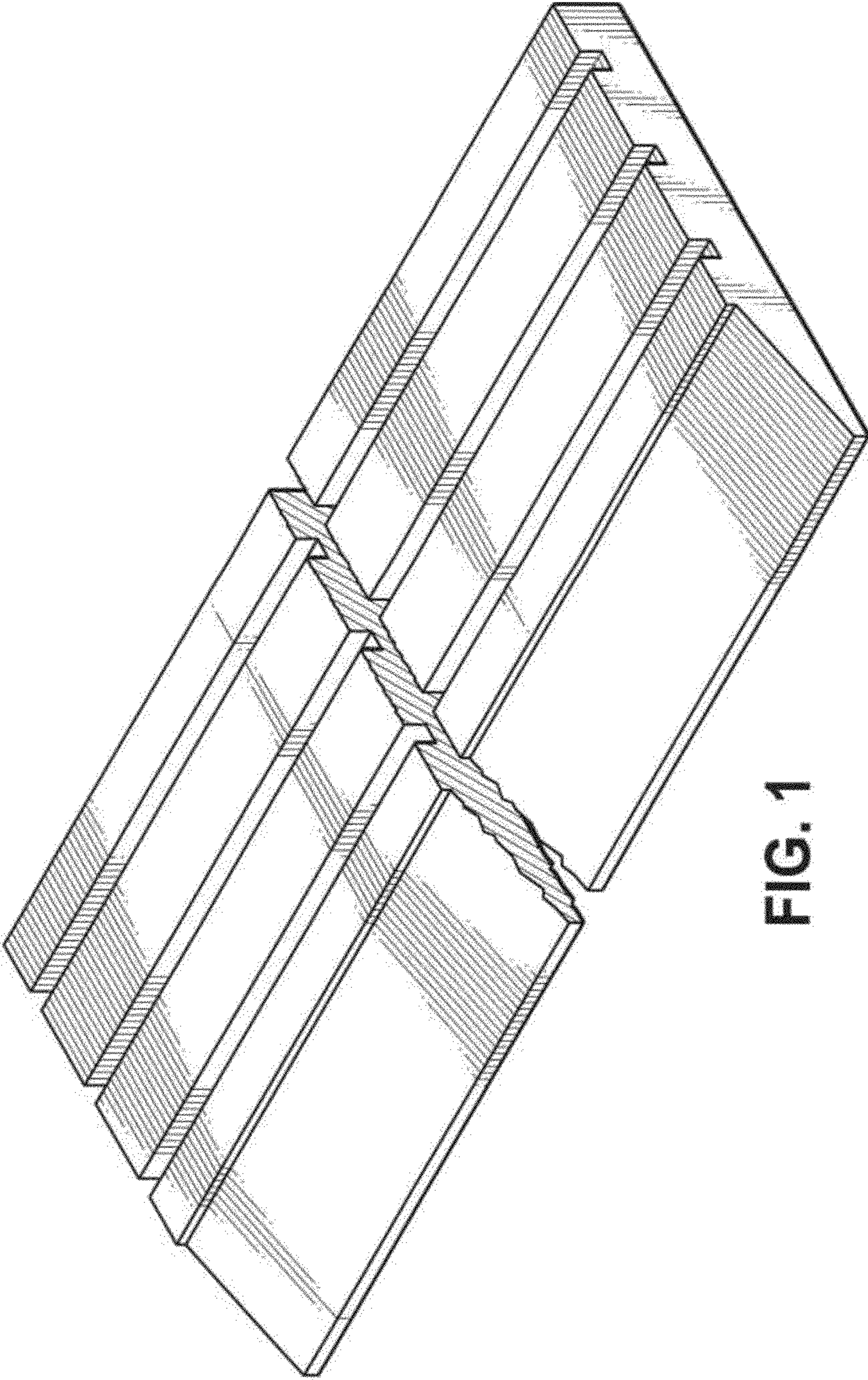


FIG. 1

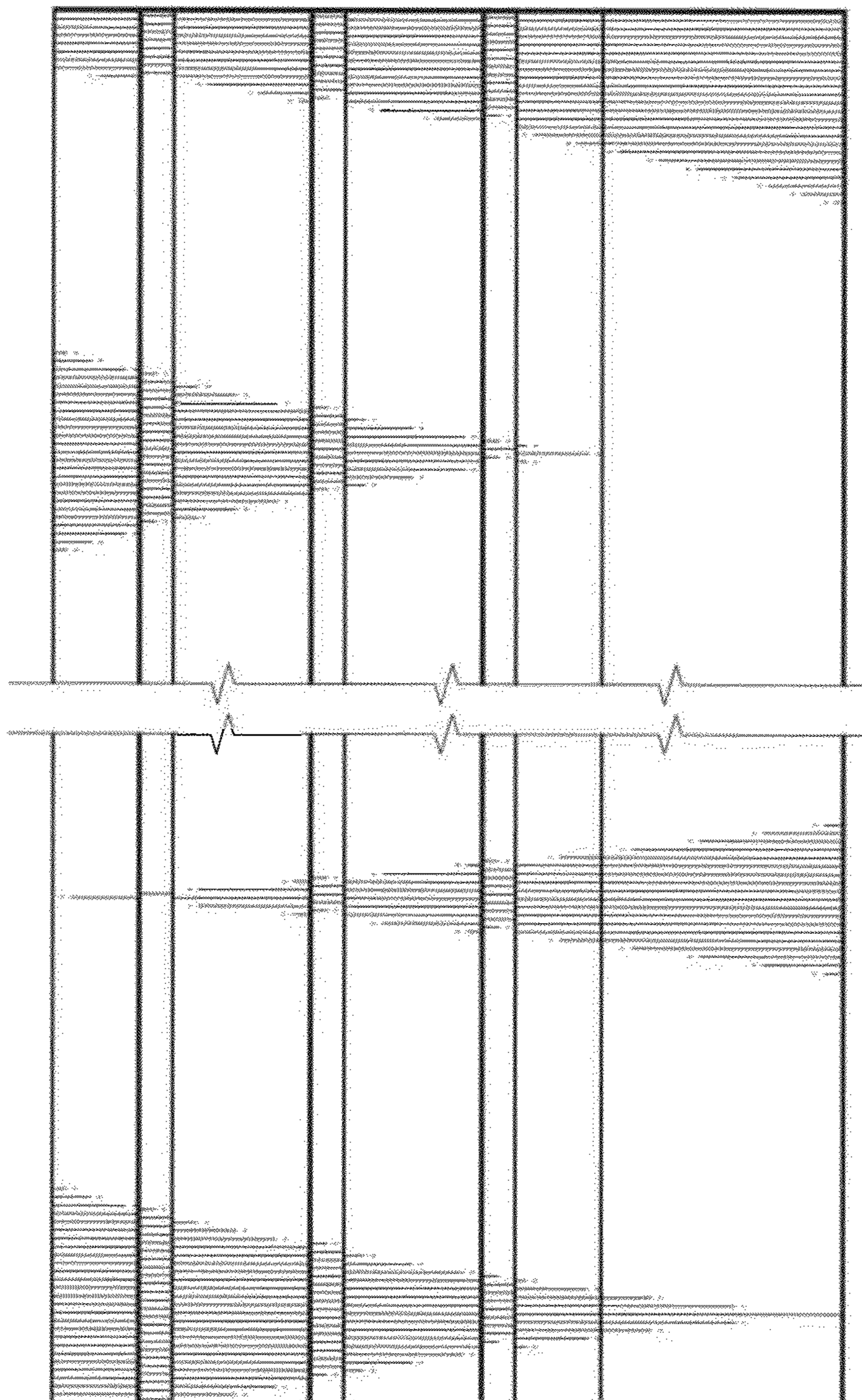


FIG. 2

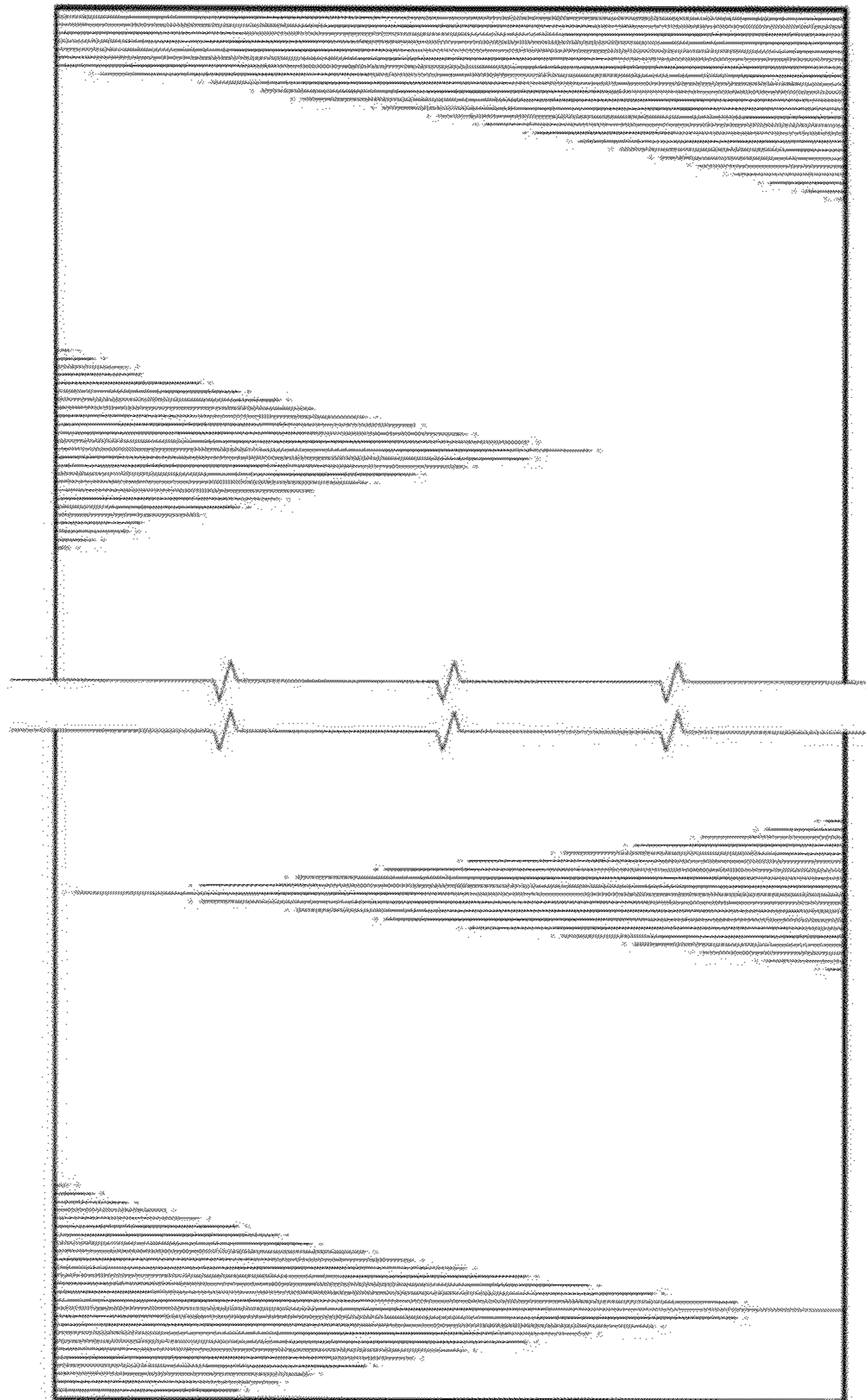


FIG. 3

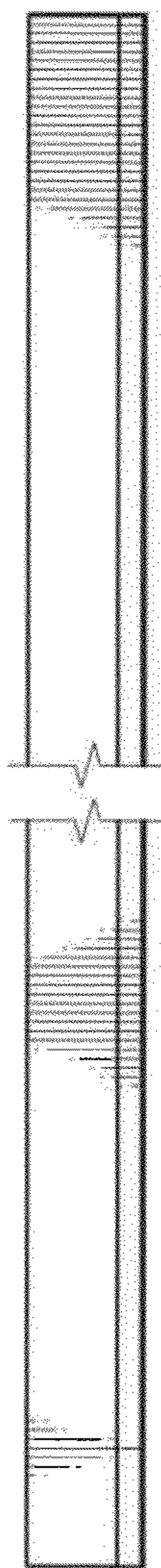


FIG. 4

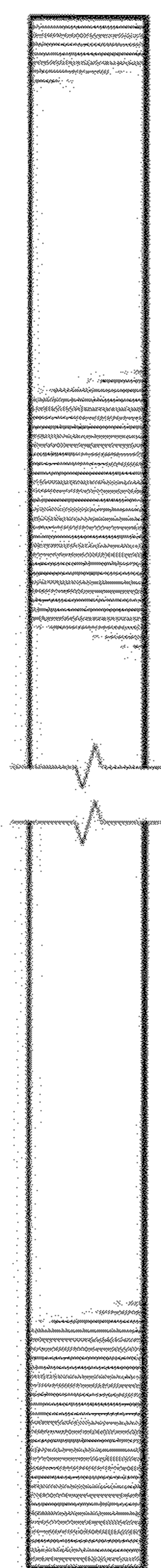


FIG. 5



FIG. 6

UNITED STATES PATENT AND TRADEMARK OFFICE
CERTIFICATE OF CORRECTION

PATENT NO. : D742,032 S
APPLICATION NO. : 29/477015
DATED : October 27, 2015
INVENTOR(S) : Smith et al.

Page 1 of 1

It is certified that error appears in the above-identified patent and that said Letters Patent is hereby corrected as shown below:

On the title page Insert above "CLAIM"

--CROSS REFERENCE TO RELATED APPLICATION

This design patent application claims priority to Australian Design Application No. 12845/2013 which was filed on June 20, 2013 and the disclosure is incorporated herein by reference. Any material in the priority application which is not present herein forms no part of the claimed design.

PREAMBLE

The inventors have invented a new, original and ornamental design for a Door Sill, of which the following is a specification, reference being had to the accompanying drawings, forming a part thereof.--

Signed and Sealed this
Nineteenth Day of July, 2016



Michelle K. Lee
Director of the United States Patent and Trademark Office