



US00D742031S

(12) **United States Design Patent**
Hammon et al.

(10) **Patent No.:** **US D742,031 S**
(45) **Date of Patent:** **** Oct. 27, 2015**

- (54) **GATE FRAME MEMBER**
- (71) Applicants: **Darin James Hammon**, Tacoma, WA (US); **Michael Ray Mancuso**, Gig Harbor, WA (US)
- (72) Inventors: **Darin James Hammon**, Tacoma, WA (US); **Michael Ray Mancuso**, Gig Harbor, WA (US)
- (**) Term: **14 Years**
- (21) Appl. No.: **29/490,653**
- (22) Filed: **May 12, 2014**
- (51) **LOC (10) Cl.** **25-02**
- (52) **U.S. Cl.**
USPC **D25/39**; D25/38.1
- (58) **Field of Classification Search**
USPC D25/38.1, 39
CPC E04H 2017/1452; E04H 2017/1447;
E04H 2017/146; E04H 2017/1465; E04H
2017/1482; E04H 4/06; E04H 17/14; E06B
11/02; E06B 11/021; E06B 11/022; E06B
11/023
See application file for complete search history.

(56) **References Cited**

U.S. PATENT DOCUMENTS

656,390	A *	8/1900	Condon	E06B 11/02 256/73
2,763,890	A	9/1956	Cox		
3,724,527	A *	4/1973	Johns	E06B 11/02 160/368.1
D399,323	S *	10/1998	Searer	D25/38.1
D598,569	S *	8/2009	Junglas	D25/39
2007/0086852	A1 *	4/2007	Goad	A47K 17/022 403/292
2008/0237561	A1 *	10/2008	Cozby	E04H 17/1413 256/73
2009/0278105	A1 *	11/2009	McIlwain	E04H 4/06 256/65.02

OTHER PUBLICATIONS

Adjust-A-Gate AG 60-3 3-Rail Contractor Quality Gate Kit, 60-Inch to 96-Inch by 60-Inch Height, <http://www.amazon.com/Adjust-A->

Gate-AG-60-3-Contractor-Quality/dp/B000AMP94A/ref=sr_1_1?ie=UTF8&qid=1412370888&sr=8-1&keywords=xadjust+a+gate, Oct. 3, 2014.
Instagate—Gate Frames—Gate Manufacturer, <http://www.instagate.com.au/>, Oct. 3, 2014.

* cited by examiner

Primary Examiner — Doris Clark

(74) *Attorney, Agent, or Firm* — George A. Leone; Citadel Patent Law

(57) **CLAIM**

The ornamental design for a gate frame member, as shown and described.

DESCRIPTION

FIG. 1 is a top elevational view showing our new design for a gate frame member;
 FIG. 2 is a bottom plan view thereof;
 FIG. 3 is a right side elevational view thereof;
 FIG. 4 is a left side elevational view thereof;
 FIG. 5 is a front elevational view thereof;
 FIG. 6 is a rear elevational view thereof;
 FIG. 7 is a top plan view showing a second embodiment of the gate frame member;
 FIG. 8 is a bottom plan view thereof, the right and left sides being identical to the right and left sides shown in FIGS. 3 and 4;
 FIG. 9 is a front elevational view thereof;
 FIG. 10 is a rear elevational view thereof;
 FIG. 11 is a top plan view showing a third embodiment of the gate frame member. The right and left sides being identical to the right and left sides shown in FIGS. 3 and 4, and the bottom being identical to the bottom shown in FIG. 8;
 FIG. 12 is a front elevational view thereof;
 FIG. 13 is a rear elevational view thereof;
 FIG. 14 is a top plan view of a fourth embodiment of the gate frame member. The right and left sides being identical to the right and left sides shown in FIGS. 3 and 4, and the bottom being identical to the bottom shown in FIG. 8;
 FIG. 15 is a front elevational view thereof; and,
 FIG. 16 is a rear elevational view thereof.

1 Claim, 6 Drawing Sheets

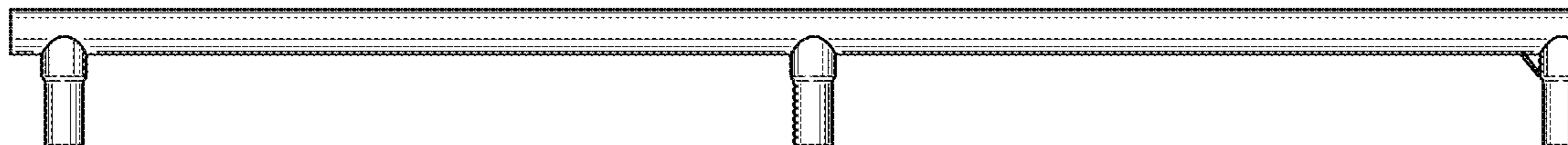




FIG. 1



FIG. 2

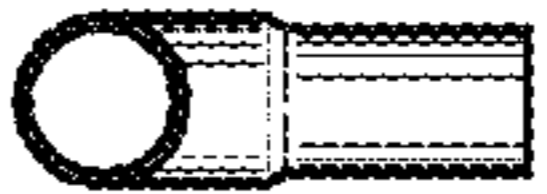


FIG. 3



FIG. 4

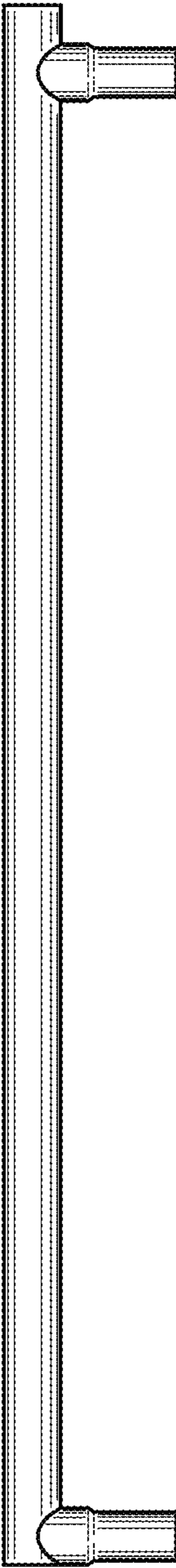


FIG. 5

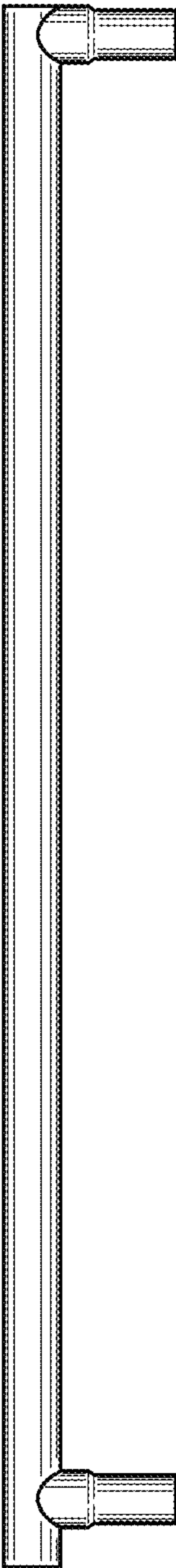


FIG. 6



FIG. 7



FIG. 8

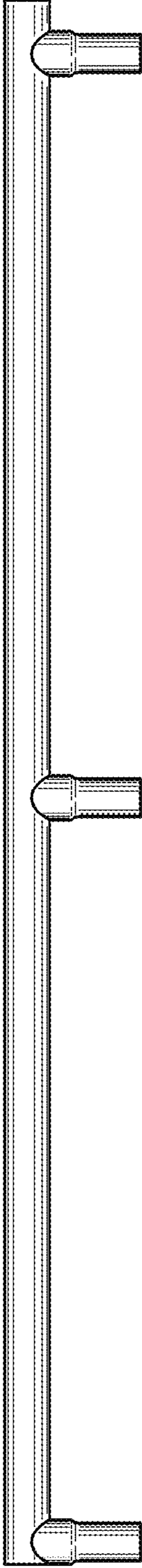


FIG. 9

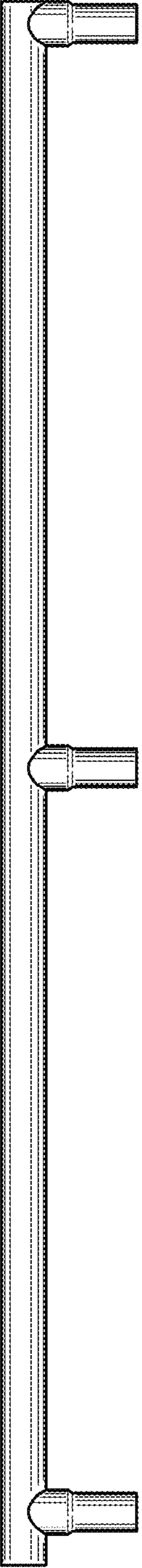


FIG. 10



FIG. 11

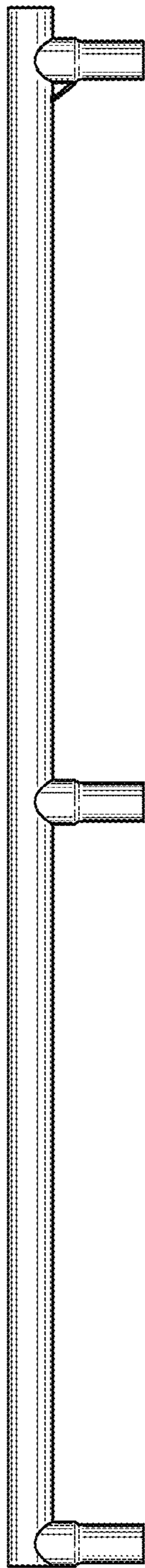


FIG. 12

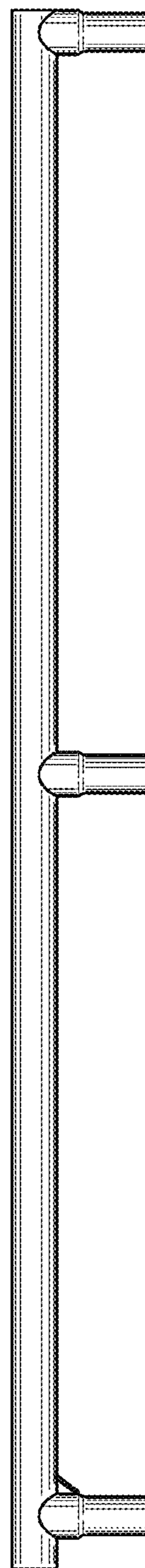


FIG. 13



FIG. 14

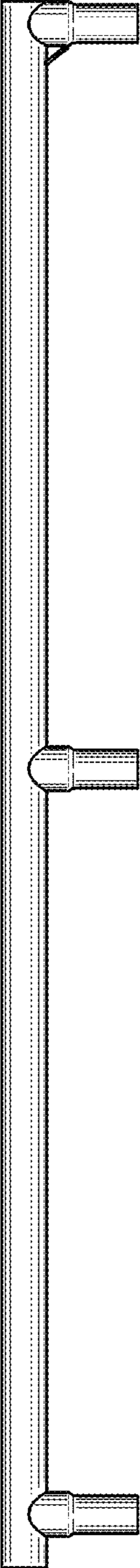


FIG. 15

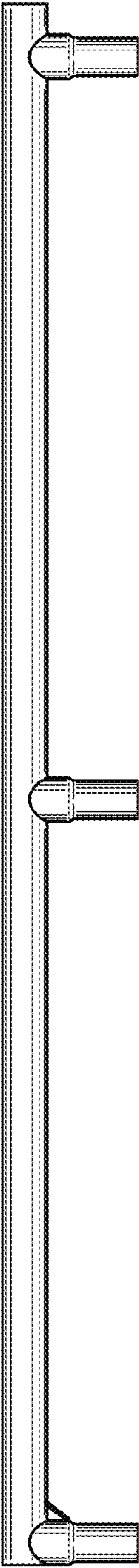


FIG. 16