



US00D742029S

(12) **United States Design Patent**  
**Rowe et al.**

(10) **Patent No.:** **US D742,029 S**  
(45) **Date of Patent:** **\*\* Oct. 27, 2015**

(54) **MEDICATION DOSSAGE CALENDARING  
DEVICE ASSEMBLY**

(71) Applicant: **ALLERGAN, INC.**, Irvine, CA (US)

(72) Inventors: **Michael M. Rowe**, Rancho Santa  
Margarita, CA (US); **Theresa E.  
Cavanaugh**, Santa Ana, CA (US);  
**Lorens Slokovic**, Cleburne, TX (US);  
**Patrick Walsh**, Lake Forest, CA (US)

(73) Assignee: **Allergan, Inc.**, Irvine, CA (US)

(\*\*) Term: **14 Years**

(21) Appl. No.: **29/469,880**

(22) Filed: **Oct. 15, 2013**

(51) **LOC (10) Cl.** ..... **24-01**

(52) **U.S. Cl.**  
USPC ..... **D24/229**

(58) **Field of Classification Search**

USPC ..... D24/185, 216–232, 127–128, 130;  
D3/203.1–203.8, 304; 221/281;  
D9/732, 737, 749, 755, 759–760;  
422/296, 560–564; 206/526, 528,  
206/531–532, 534–539; 211/85.13, 126.14;  
368/10; D6/515  
CPC ..... A47F 1/08; A61L 2/07; B01L 9/06;  
B01L 9/52; B01L 9/543; B65D 2571/0066;  
B65D 85/42; B65D 75/327; B65D 83/0445;  
A61J 7/04; A61J 1/03; A61J 7/0481; A61B  
19/0256; A24F 19/10

See application file for complete search history.

(56) **References Cited**

**U.S. PATENT DOCUMENTS**

D285,344 S \* 8/1986 Olson ..... D24/127  
D285,722 S \* 9/1986 Olson ..... D24/226  
D301,615 S \* 6/1989 Vitart-Liva ..... D24/226  
D324,819 S \* 3/1992 Eisenberg ..... D24/229  
D351,237 S \* 10/1994 Dock ..... D24/229  
D393,203 S \* 4/1998 Saltzman et al. .... D24/226  
D415,958 S \* 11/1999 Noble ..... D3/203.3

D423,111 S \* 4/2000 Davis et al. .... D9/732  
6,169,707 B1 \* 1/2001 Newland ..... 368/10  
6,449,218 B1 \* 9/2002 Lluch ..... 368/10  
D474,274 S \* 5/2003 Walters ..... D24/130

(Continued)

*Primary Examiner* — T. Chase Nelson

*Assistant Examiner* — Mark Cavanna

(74) *Attorney, Agent, or Firm* — Lorenz Siddiqi

(57) **CLAIM**

The ornamental design for a medication dosage calendaring device assembly, as shown and described.

**DESCRIPTION**

FIG. 1 is a top perspective view of a medication dosage calendaring device assembly shown assembled, showing our new design.

FIG. 2 is a top view thereof.

FIG. 3 is a bottom view thereof

FIG. 4 is a left side elevation view thereof with the right side being a mirror image thereof.

FIG. 5 is a back elevation view thereof.

FIG. 6 is a front elevation view thereof.

FIG. 7 is a top perspective view illustrating the medication dosage calendaring device assembly shown assembled, with unit dose vials inserted therein.

FIG. 8 is a top view thereof.

FIG. 9 is a bottom view thereof.

FIG. 10 is a left side elevation view thereof with the right side being a mirror image thereof.

FIG. 11 is a back elevation view of thereof.

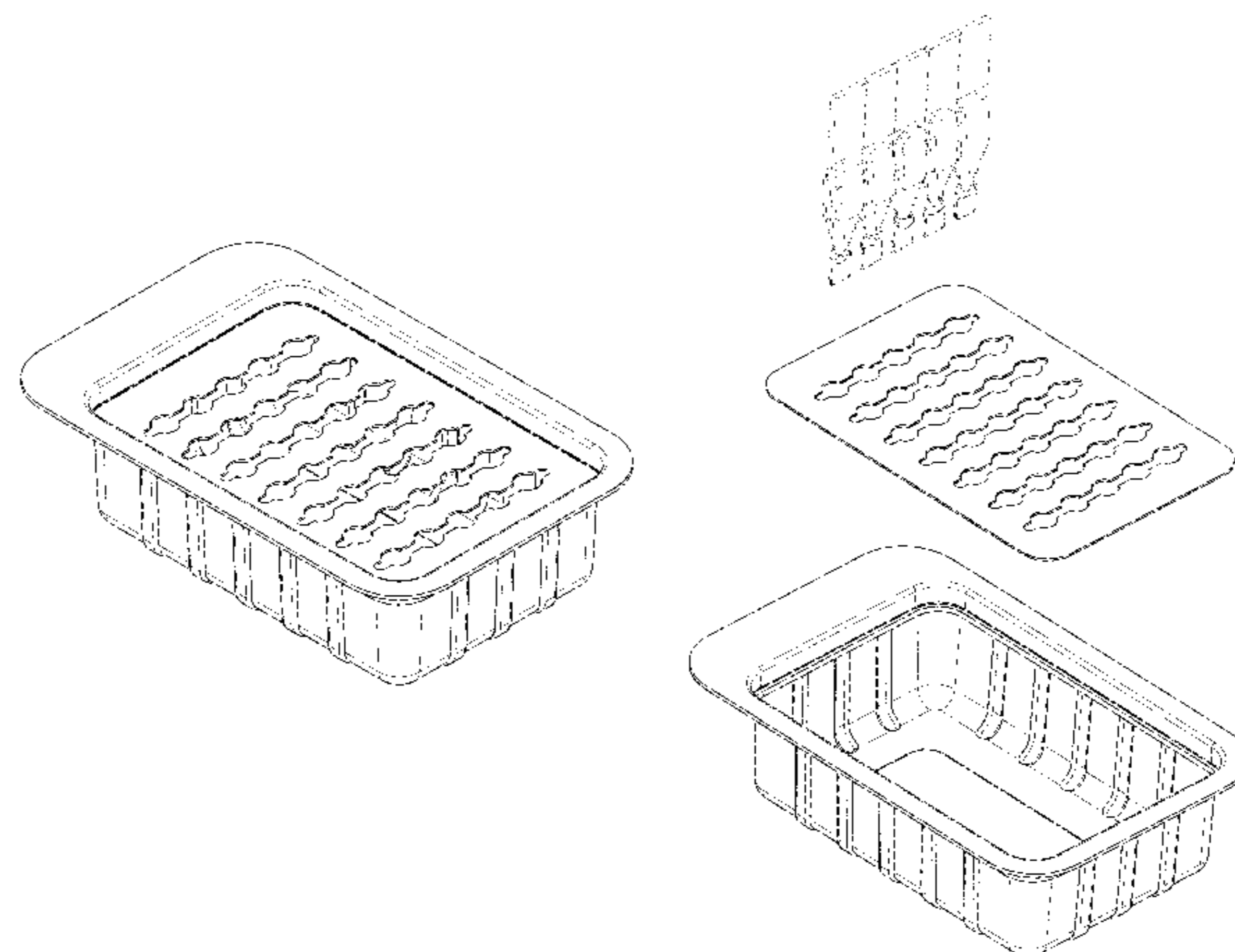
FIG. 12 is a front elevation view thereof.

FIG. 13 is a top perspective view illustrating the medication dosage calendaring device assembly shown assembled, with one row of unit dose vials inserted therein; and,

FIG. 14 is an exploded perspective view of the medication dosage calendaring device assembly showing the tray portion and tray insert portion unassembled for clarity of illustration with one row of unit dose vials.

The broken lines are included for the purpose of illustrating the vials as environment and form no part of the claimed design.

**1 Claim, 9 Drawing Sheets**



# US D742,029 S

Page 2

---

(56)

## References Cited

### U.S. PATENT DOCUMENTS

D479,329 S \* 9/2003 Sanguinetti ..... D24/230  
D526,478 S \* 8/2006 Priebe et al. .... D3/203.3  
D547,052 S \* 7/2007 Cooper ..... D3/203.3  
D631,557 S \* 1/2011 Tajima et al. .... D24/229

8,055,380 B1 \* 11/2011 Verma et al. .... 221/281  
D660,583 S \* 5/2012 Mlinarevic ..... D3/203.3  
D694,906 S \* 12/2013 Priebe et al. .... D24/229  
D696,007 S \* 12/2013 Priebe et al. .... D3/203.3  
D712,060 S \* 8/2014 Tippett et al. .... D24/226

\* cited by examiner

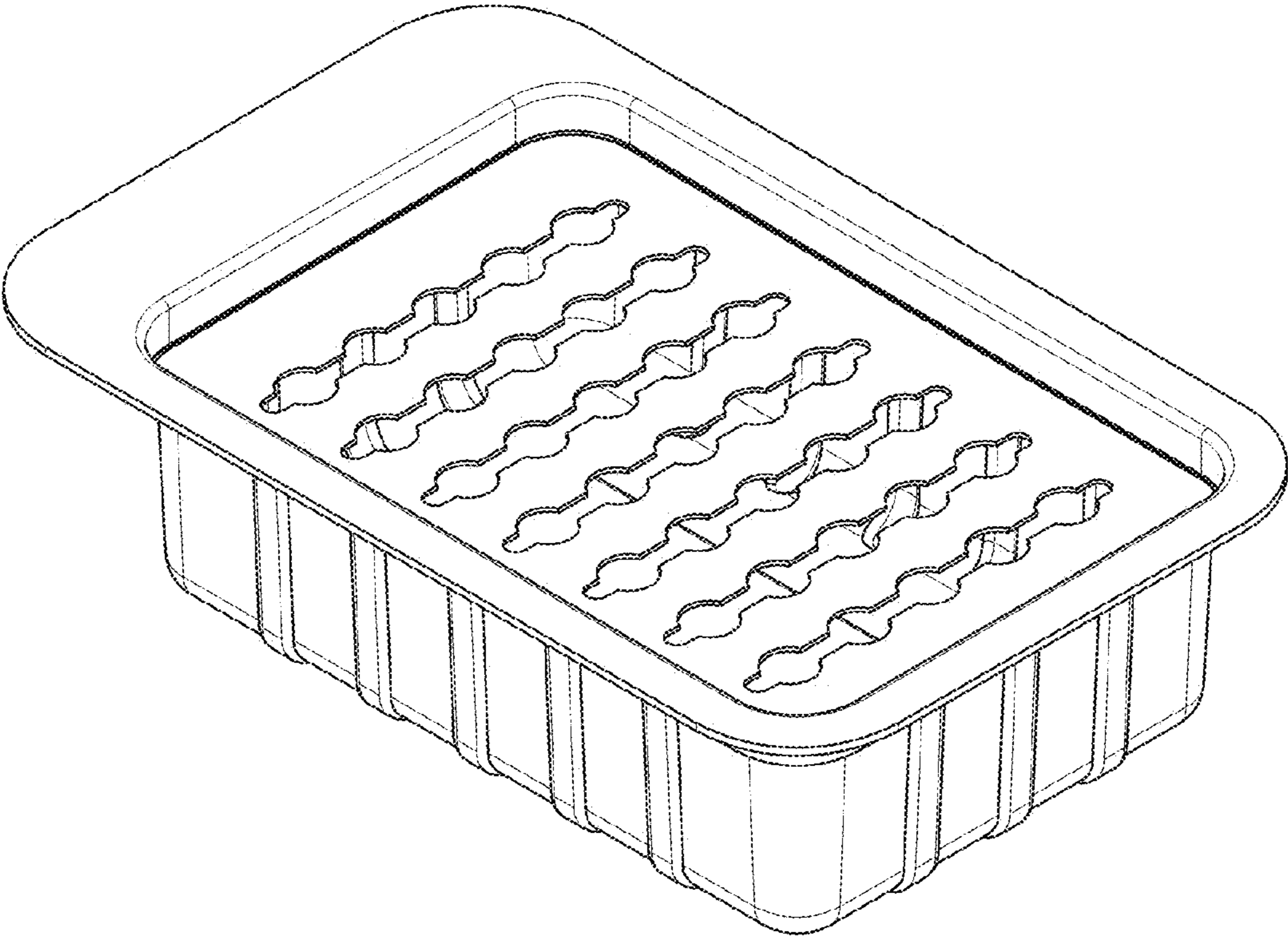


FIG. 1

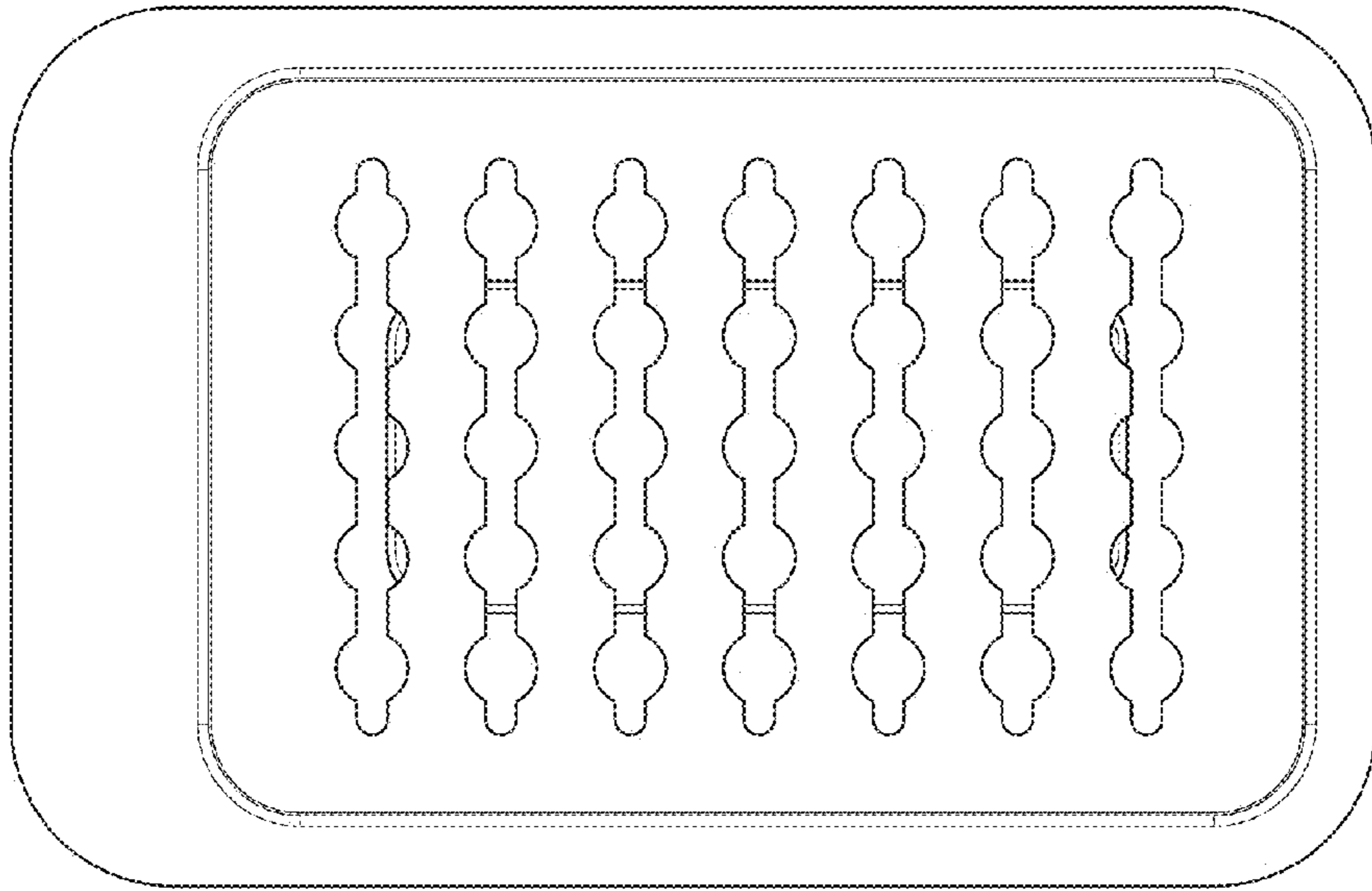


FIG. 2

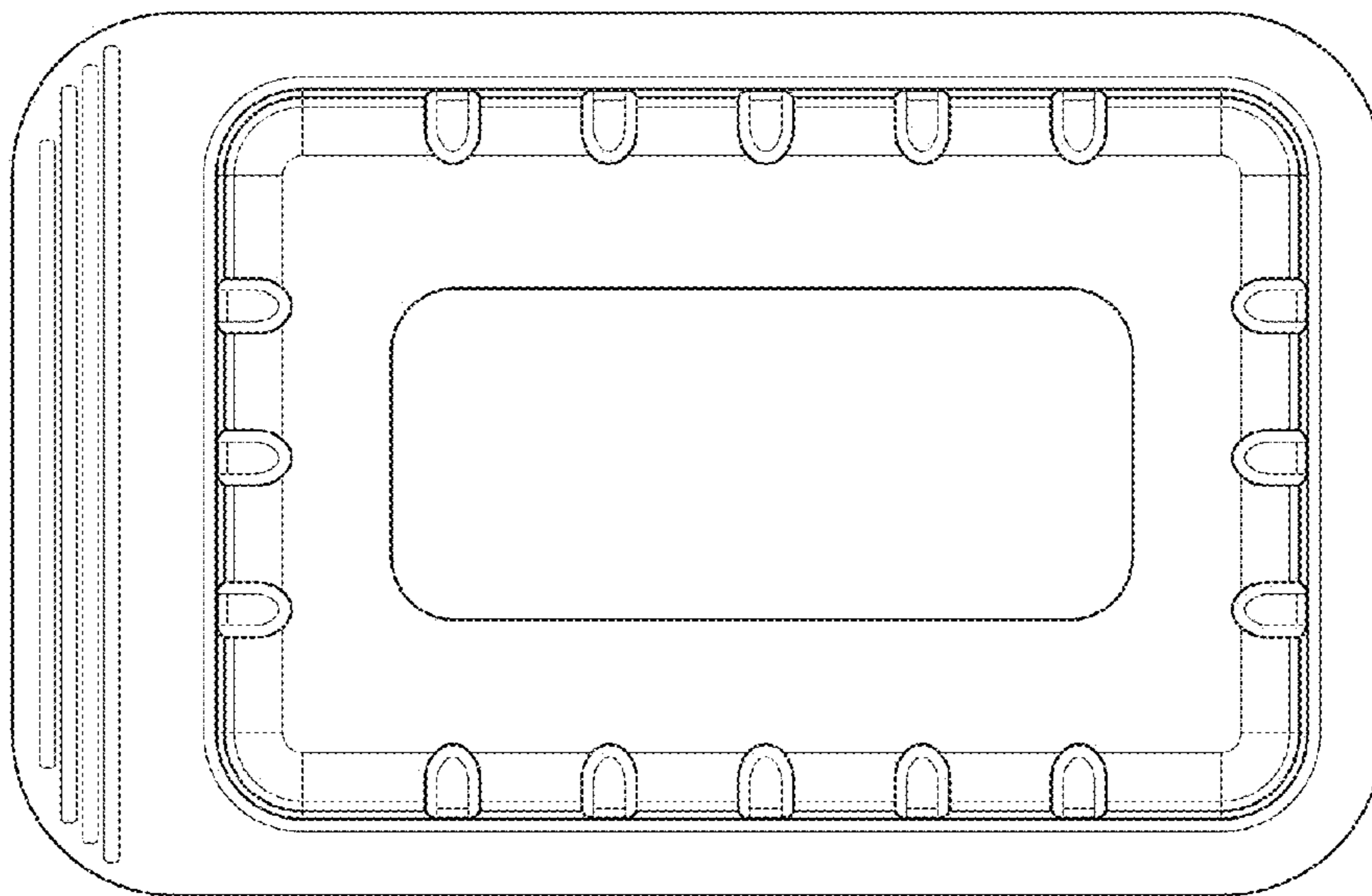


FIG. 3

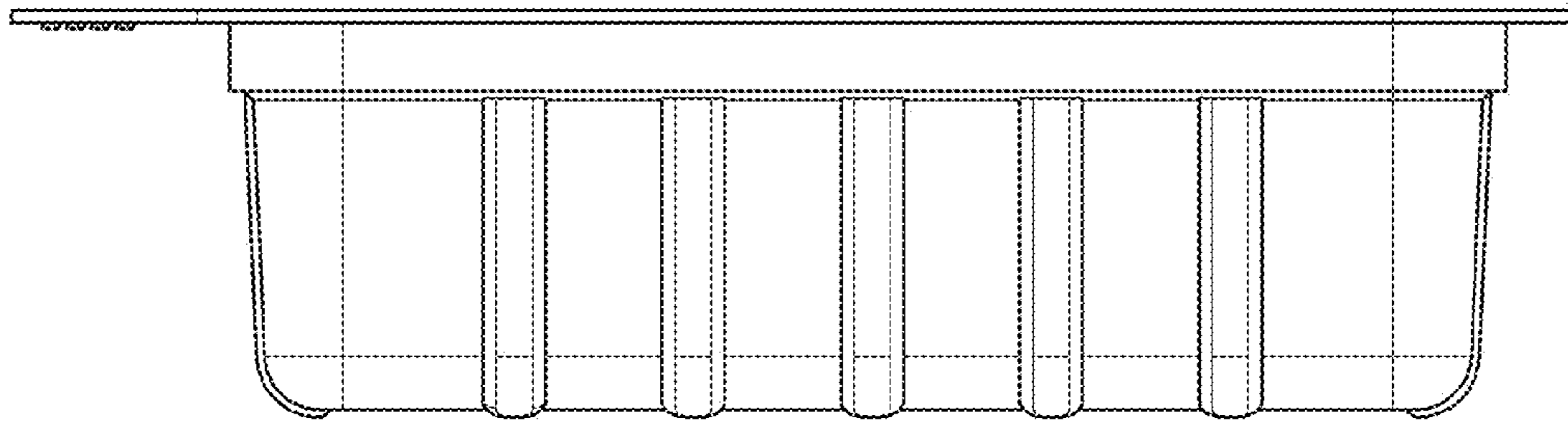


FIG. 4

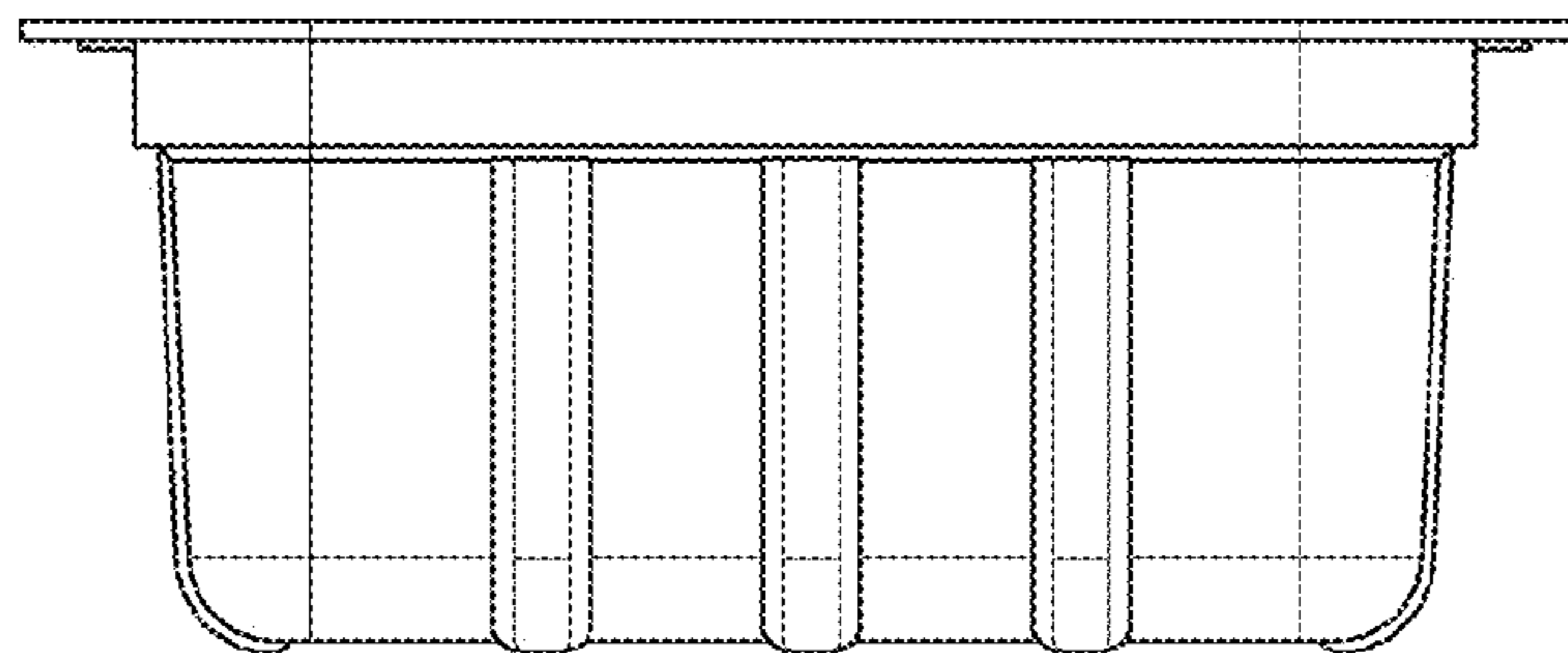


FIG. 5

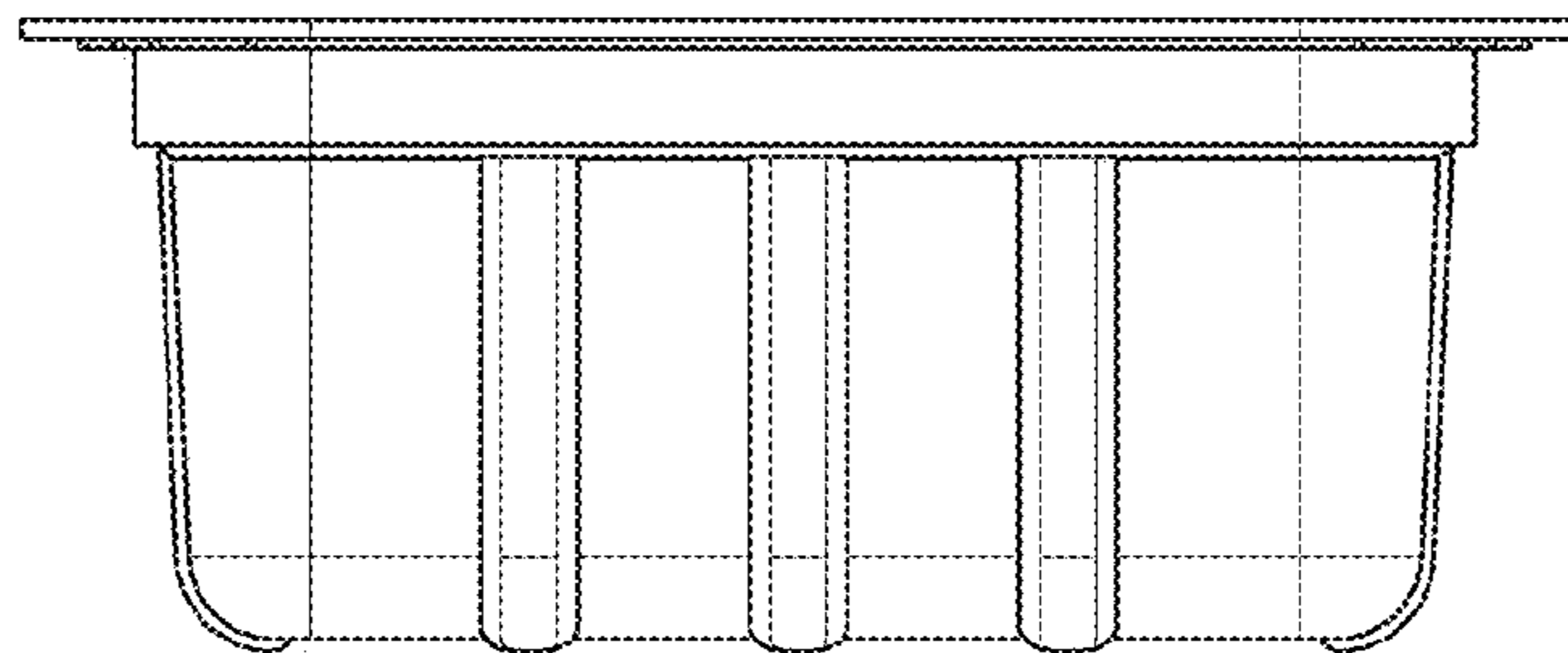


FIG. 6

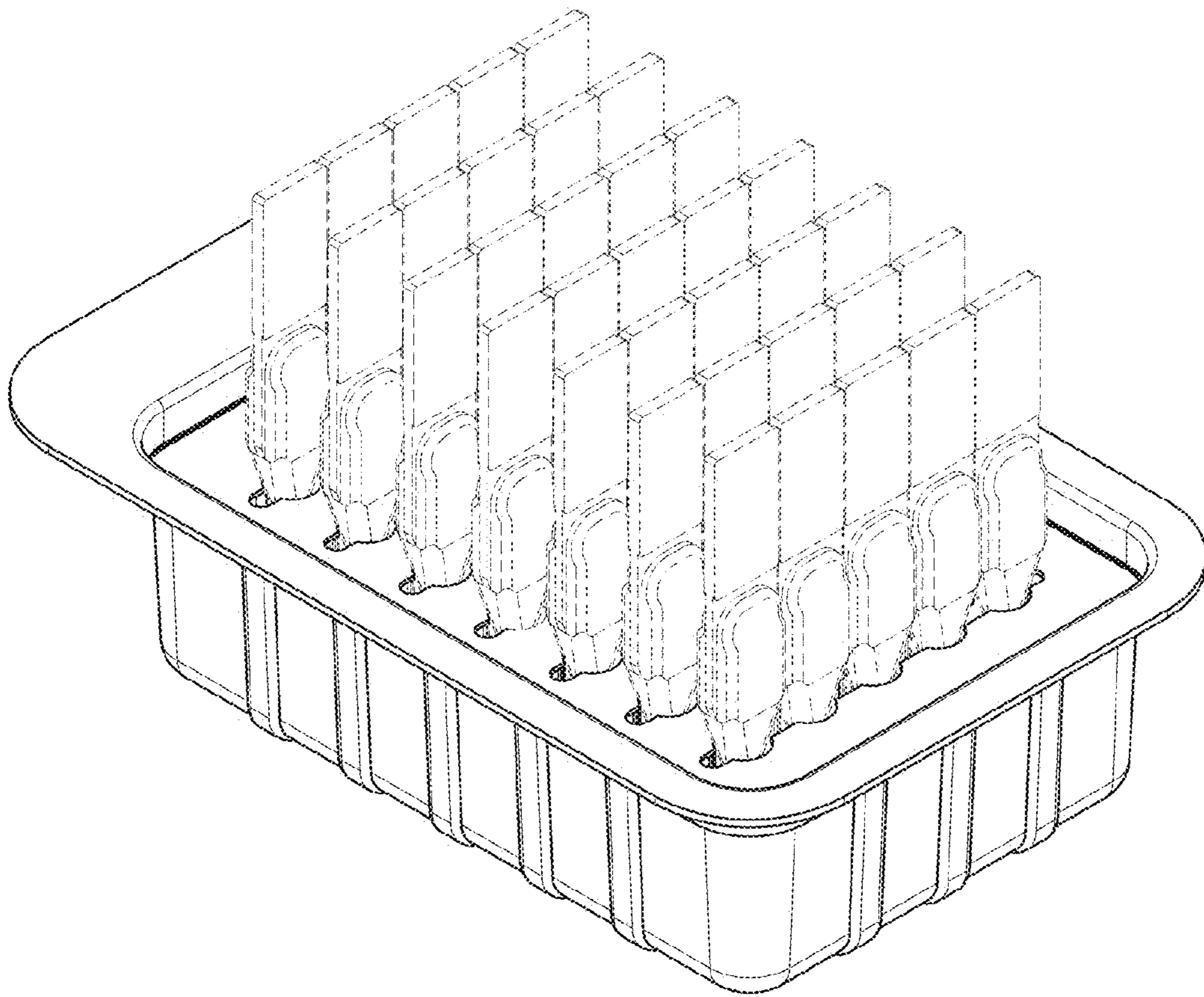


FIG. 7

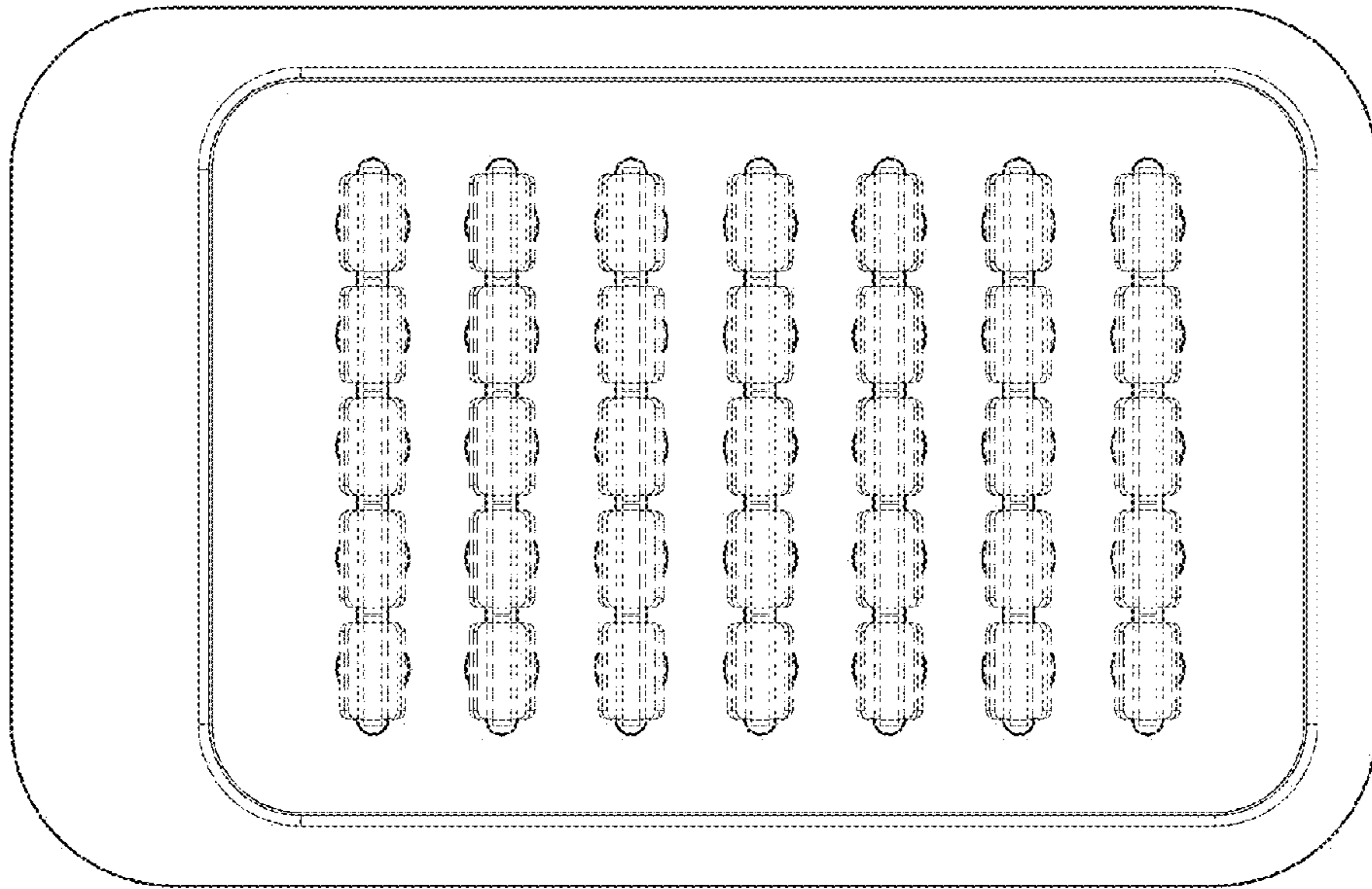


FIG. 8

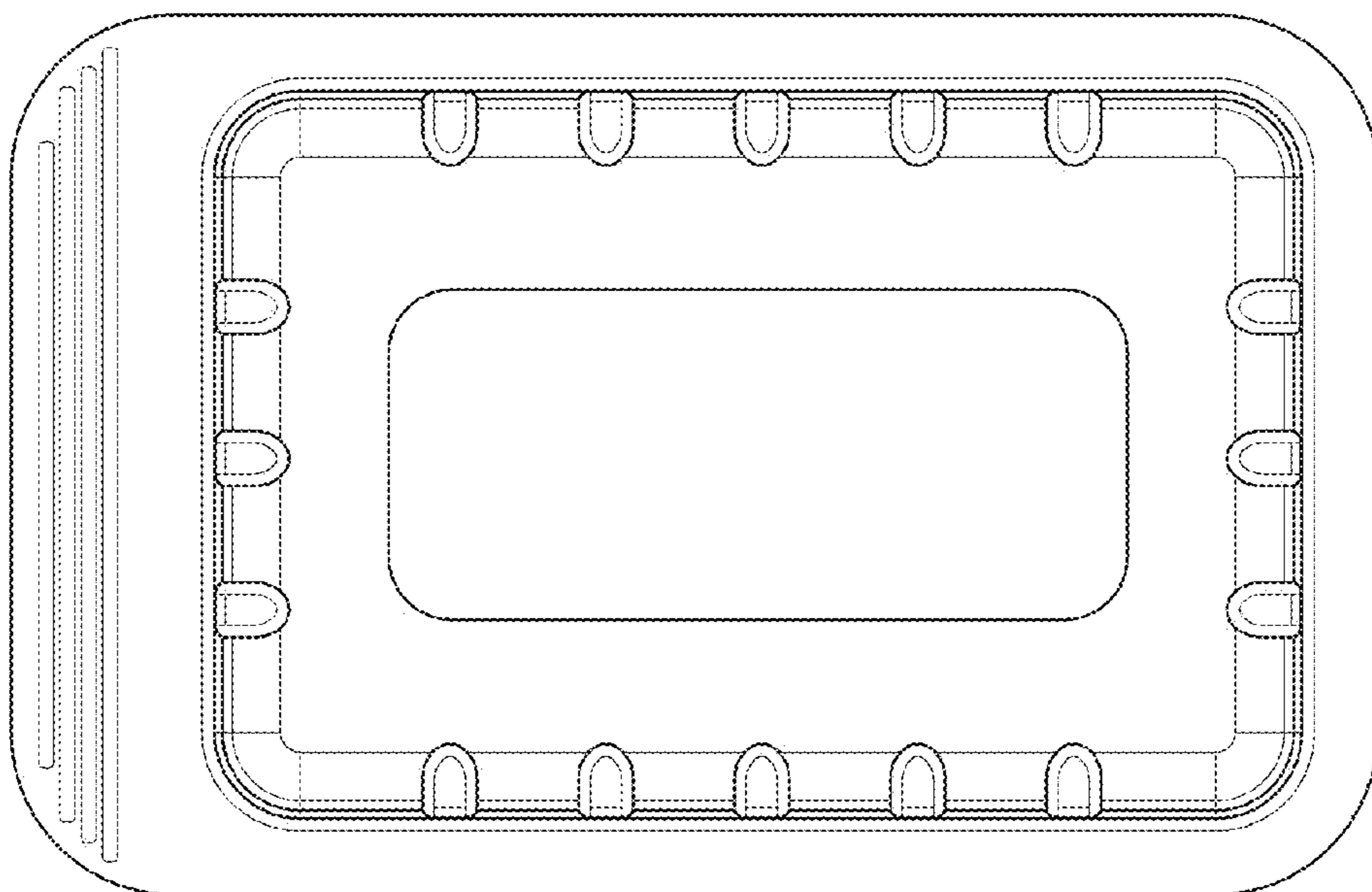


FIG. 9

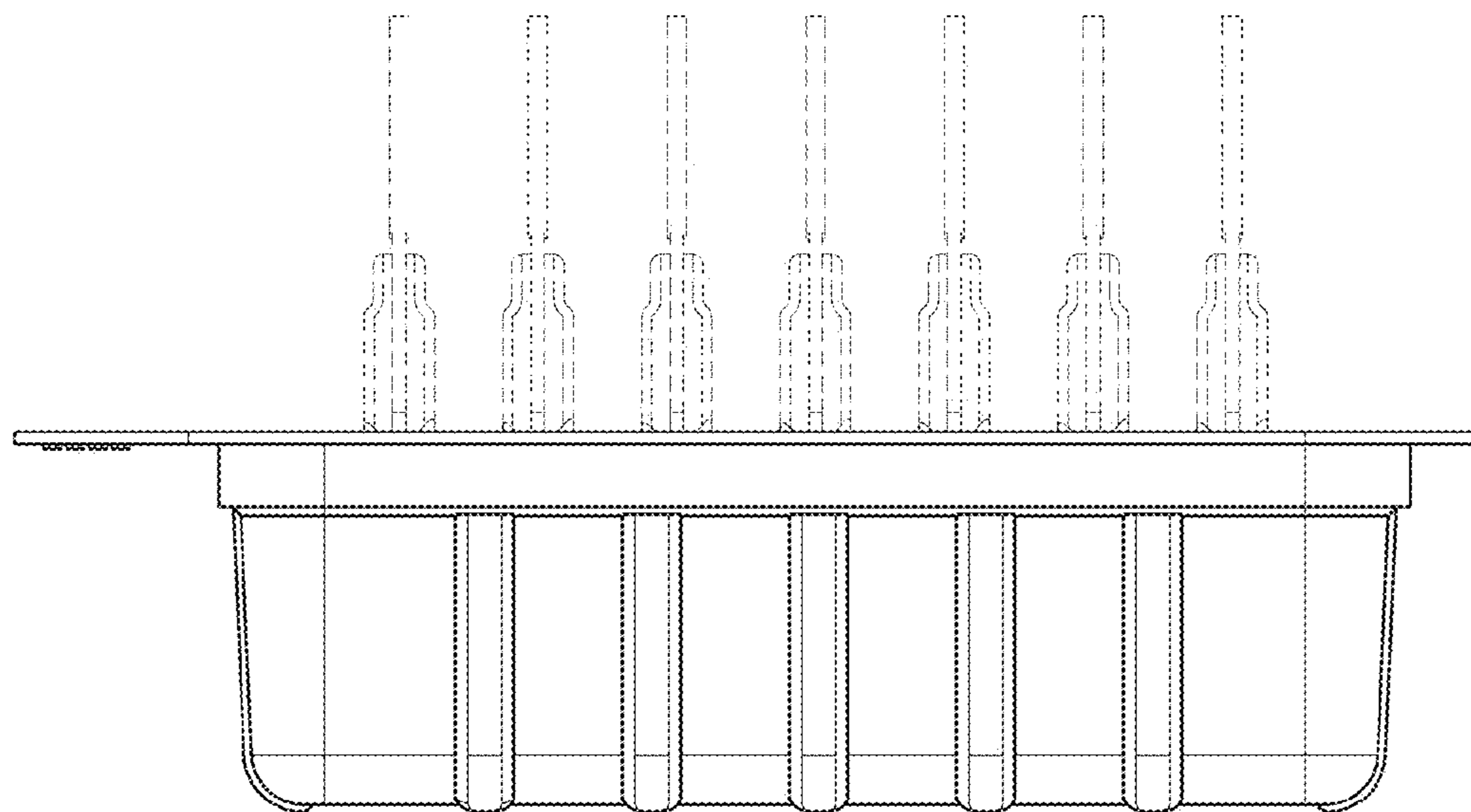
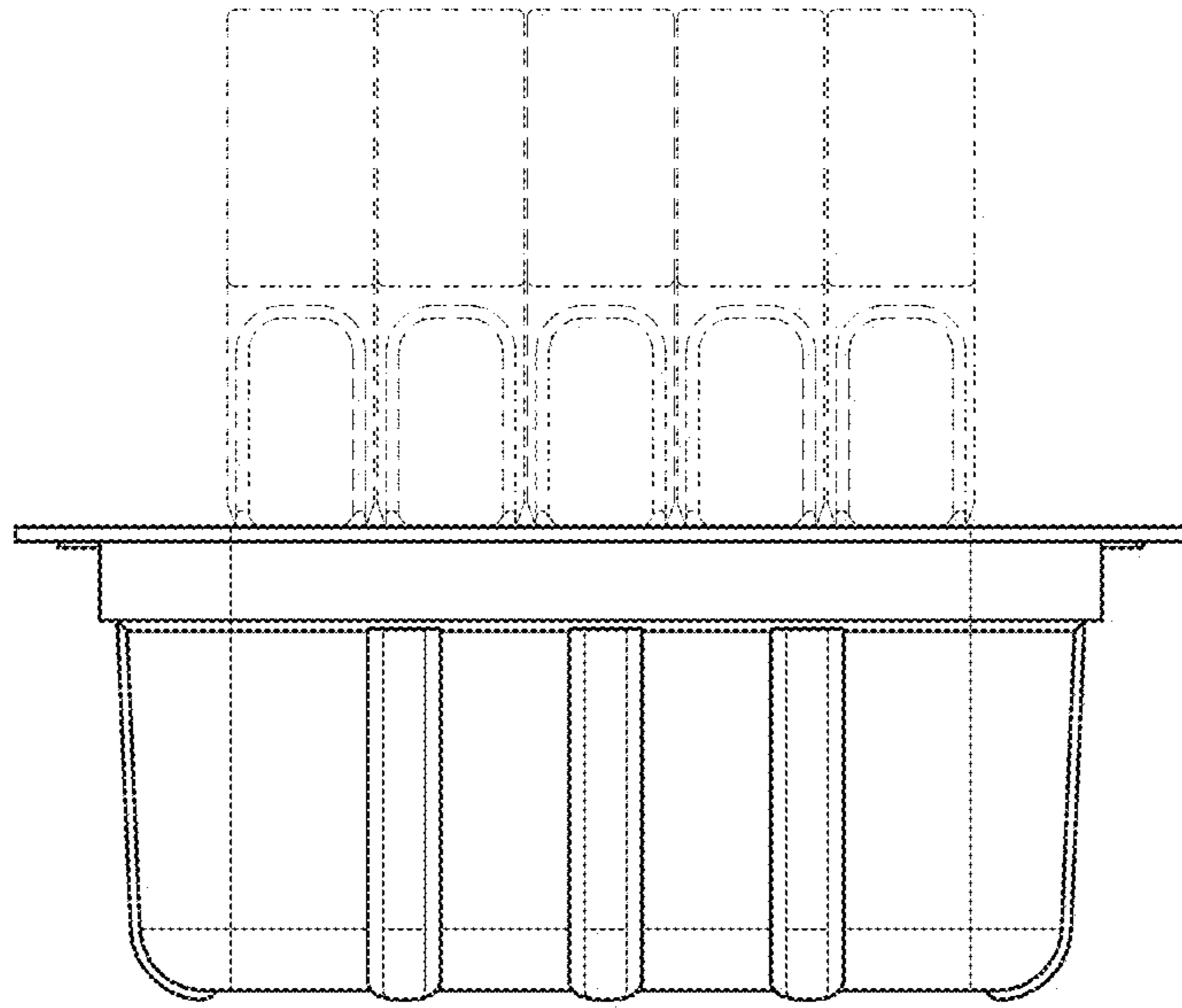
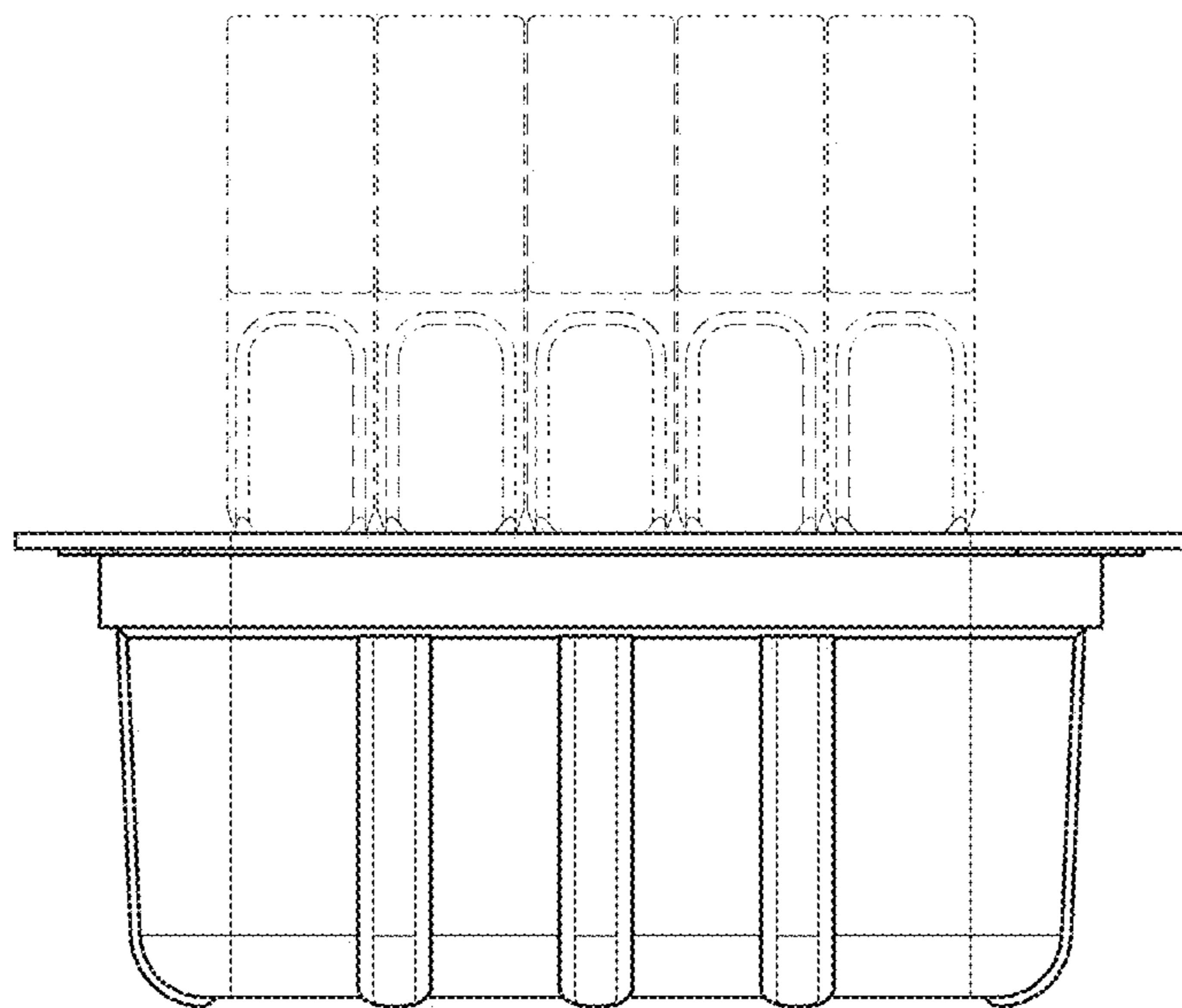


FIG. 10





*FIG. 11*



*FIG. 12*

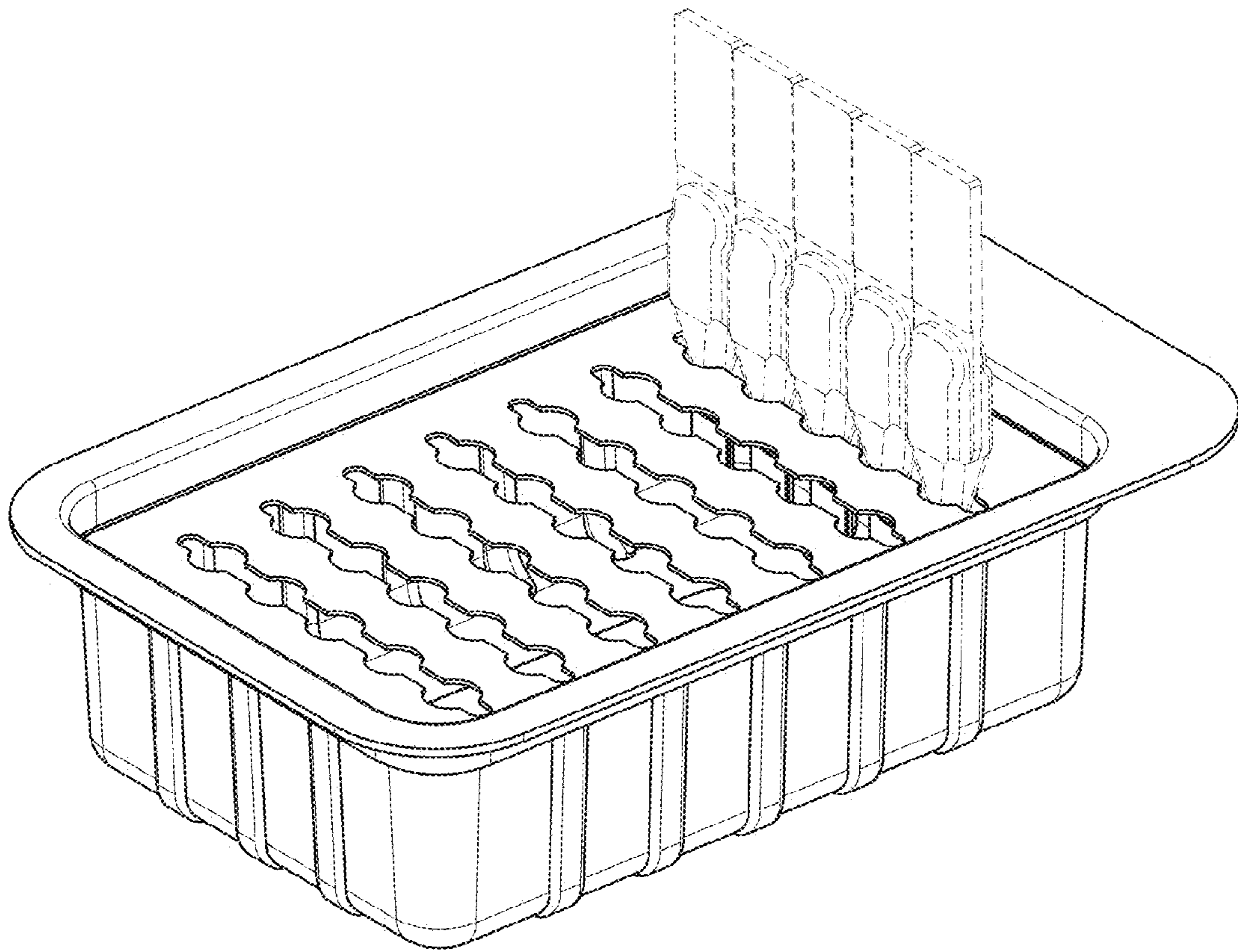


FIG. 13

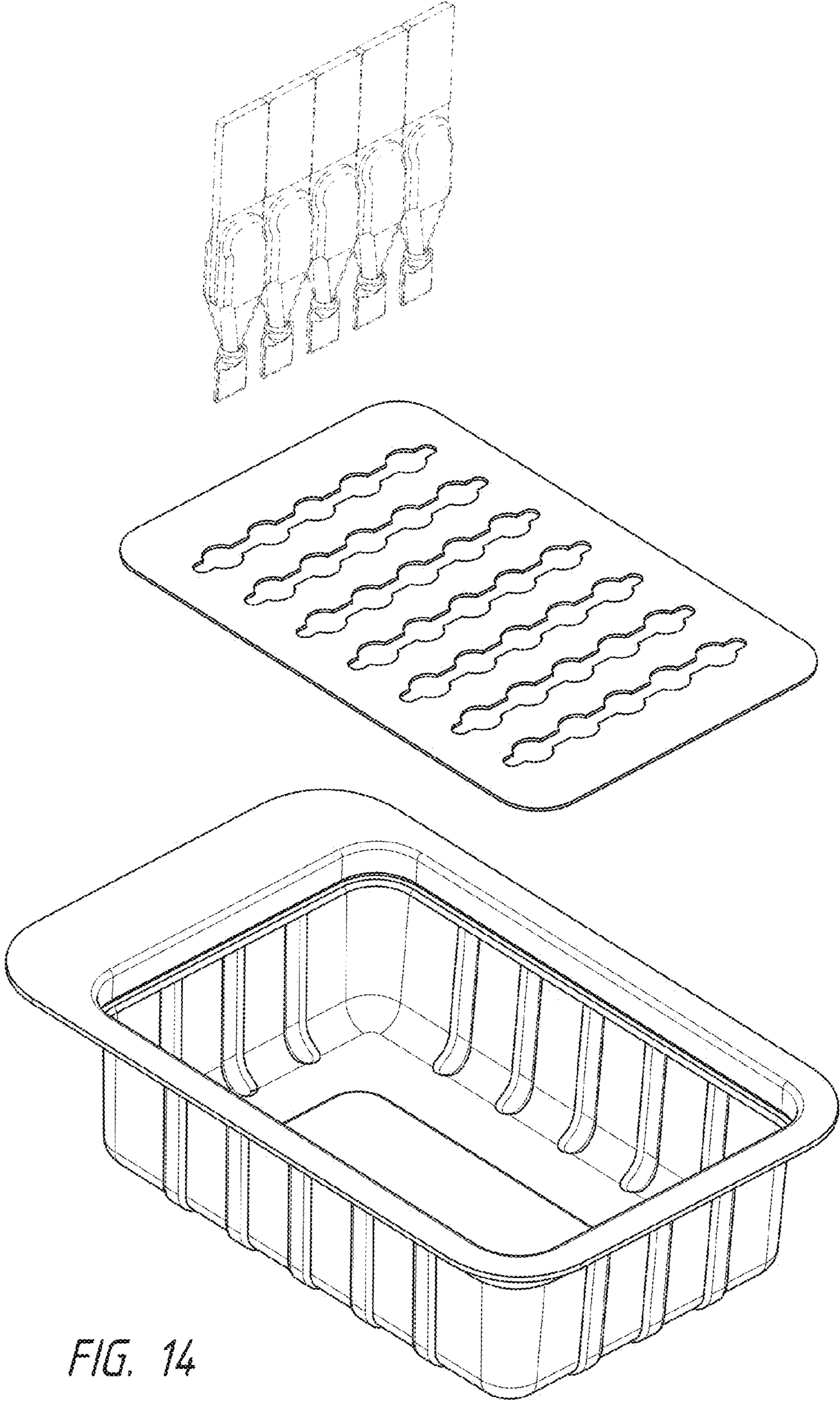


FIG. 14