



US00D742028S

(12) **United States Design Patent**
Hutchison

(10) **Patent No.:** **US D742,028 S**

(45) **Date of Patent:** **** Oct. 27, 2015**

(54) **STAND FOR VIALS, INJECTABLE PENS, AND SYRINGES**

(71) Applicant: **Jonathan D. Hutchison**, Canon City, CO (US)

(72) Inventor: **Jonathan D. Hutchison**, Canon City, CO (US)

(**) Term: **14 Years**

(21) Appl. No.: **29/453,169**

(22) Filed: **Apr. 25, 2013**

(51) **LOC (10) Cl.** **24-01**

(52) **U.S. Cl.**
USPC **D24/227**

(58) **Field of Classification Search**
USPC D24/216–232, 127–128, 130, 133;
D3/203.1–203.8, 304; 211/85.13,
211/126.14; D9/341, 345, 347, 348, 415,
D9/418, 419, 430, 732; 422/297, 401,
422/560–564; 206/528, 538–539, 438, 485,
206/557
CPC A61L 2/26; B01L 9/06; A61B 19/0256;
A61B 2019/0258; A61B 19/026; B65D 85/42;
B65D 1/34; B65D 75/327
See application file for complete search history.

(56) **References Cited**

U.S. PATENT DOCUMENTS

D438,634 S * 3/2001 Merry D24/227
D442,697 S * 5/2001 Hajianpour D24/229
D613,875 S * 4/2010 Mcdevitt D24/227
D631,558 S * 1/2011 Harmston et al. D24/229

D636,894 S * 4/2011 Tomes et al. D24/227
D650,912 S * 12/2011 Tomes et al. D24/227
D697,625 S * 1/2014 Montgomery et al. D24/186
D708,347 S * 7/2014 Lober D24/227
D708,759 S * 7/2014 Heyman et al. D24/229
D720,470 S * 12/2014 Lober D24/227
D720,471 S * 12/2014 Angel et al. D24/229
D729,404 S * 5/2015 Teich et al. D24/230

* cited by examiner

Primary Examiner — T. Chase Nelson

Assistant Examiner — Mark Cavanna

(74) *Attorney, Agent, or Firm* — Trenner Law Firm; Mark D. Trenner

(57) **CLAIM**

The ornamental design for a stand for vials, injectable pens, and syringes, as shown and described.

DESCRIPTION

FIG. 1 is a perspective view of a stand for vials, injectable pens, and syringes showing my new design;
FIG. 2 is a top plan view of the design corresponding to FIG. 1;
FIG. 3 is a bottom plan view of the design corresponding to FIG. 1;
FIG. 4 is a right-side plan view of the design corresponding to FIG. 1;
FIG. 5 is a left-side plan view of the design corresponding to FIG. 1; and,
FIG. 6 is a front-side plan view of the design corresponding to FIG. 1, wherein the back-side plan view is a mirror image.
The broken lines are included for the purpose of illustrating environmental elements and form no part of the claimed design.

1 Claim, 4 Drawing Sheets

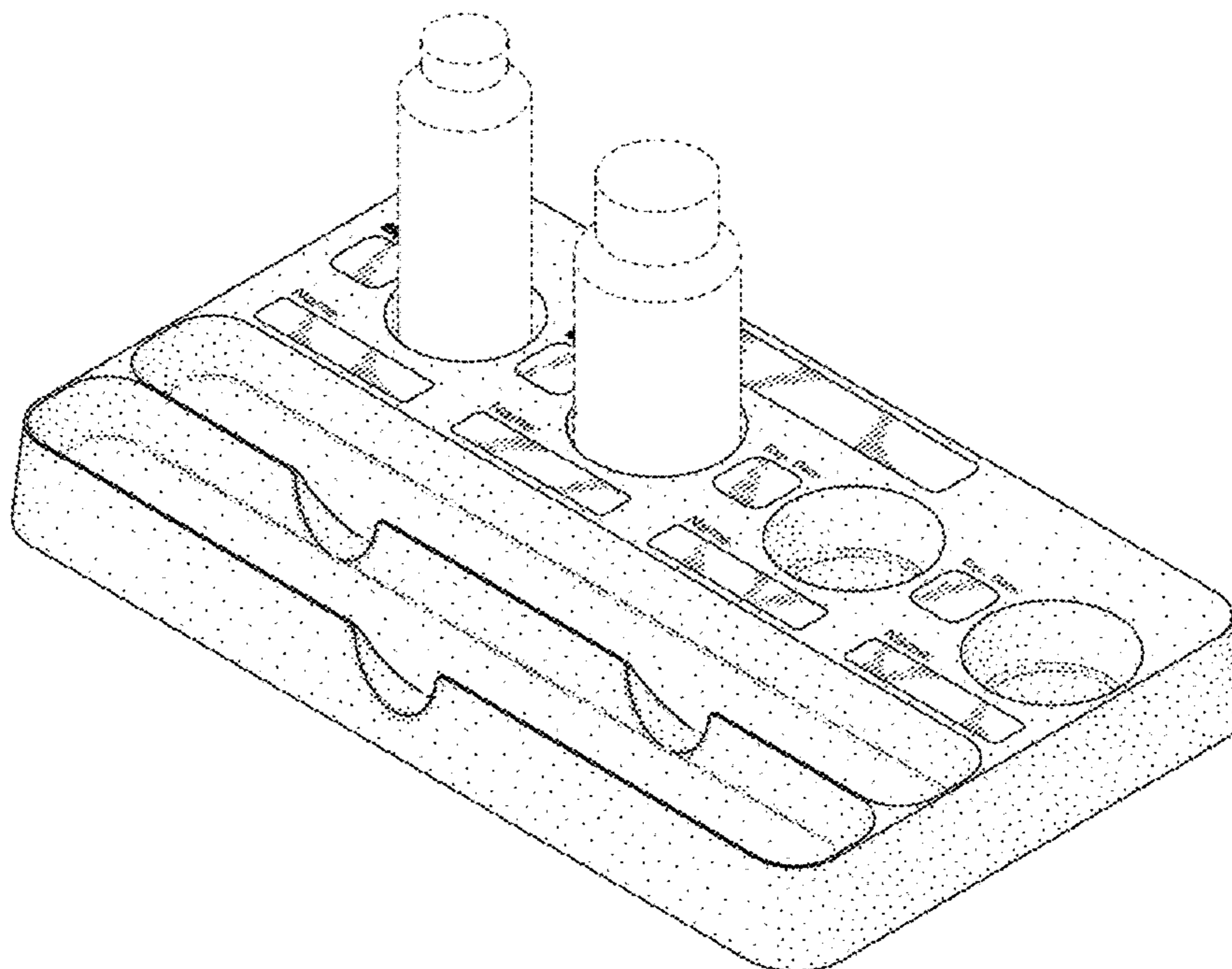


FIGURE 1

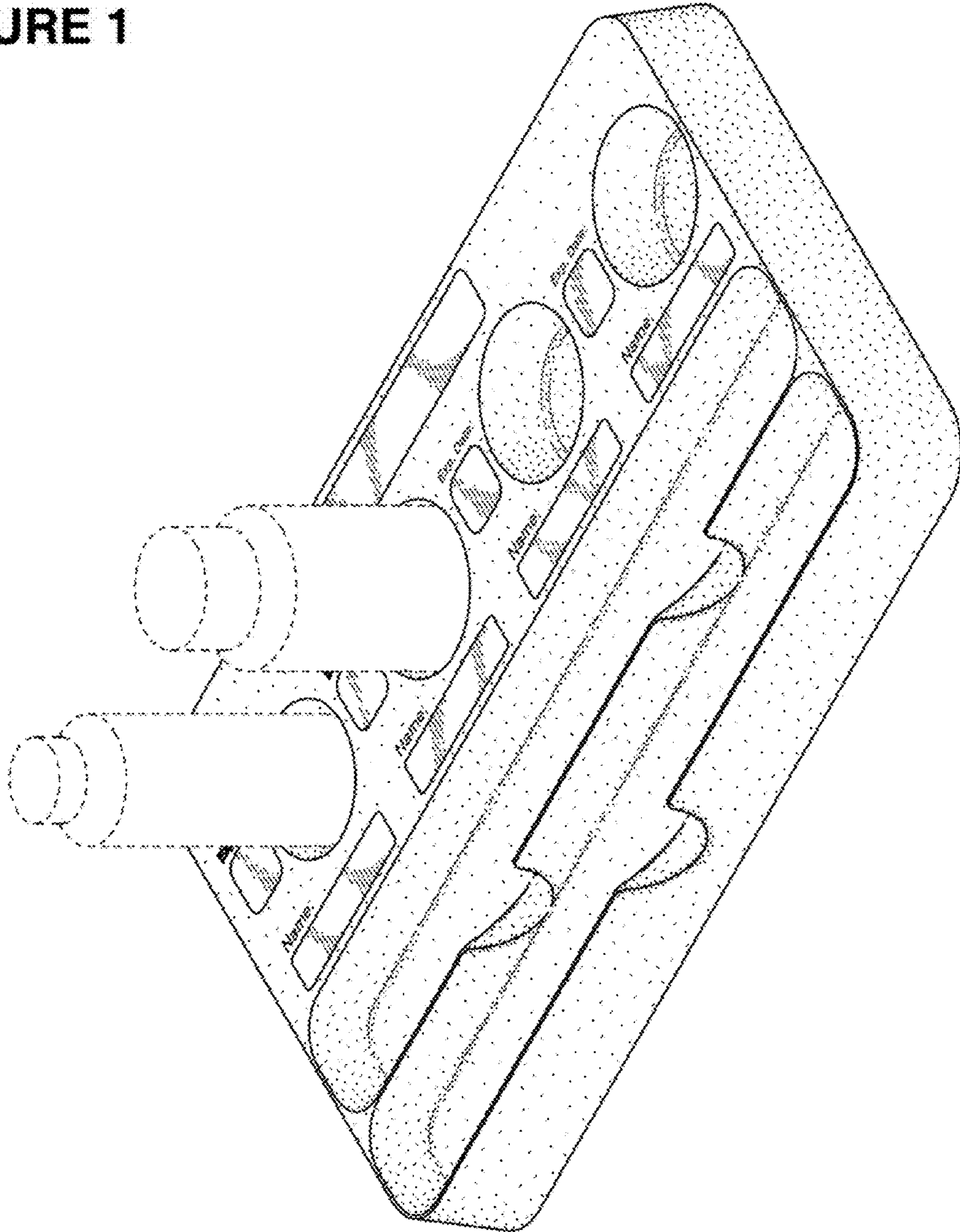


FIGURE 2

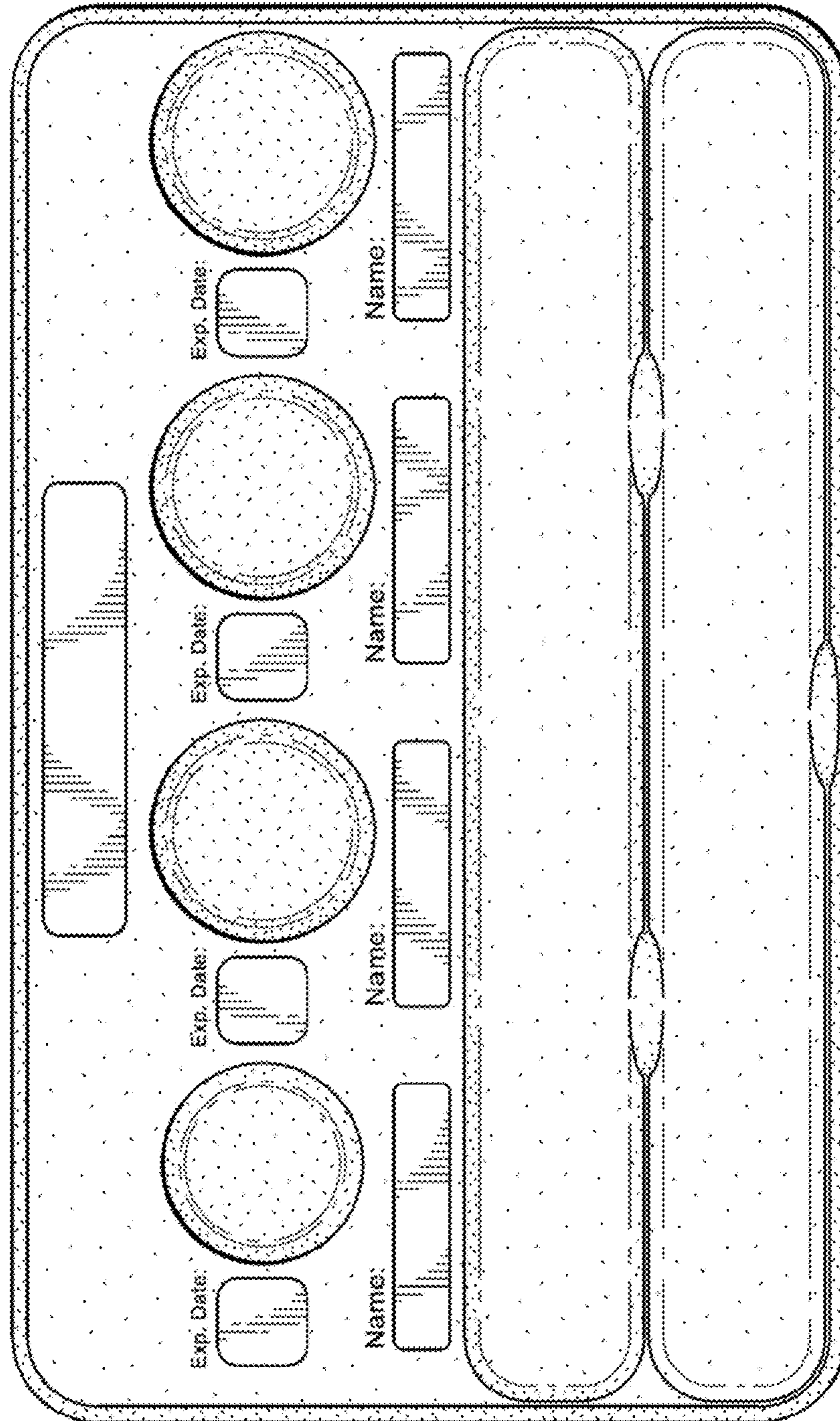


FIGURE 3

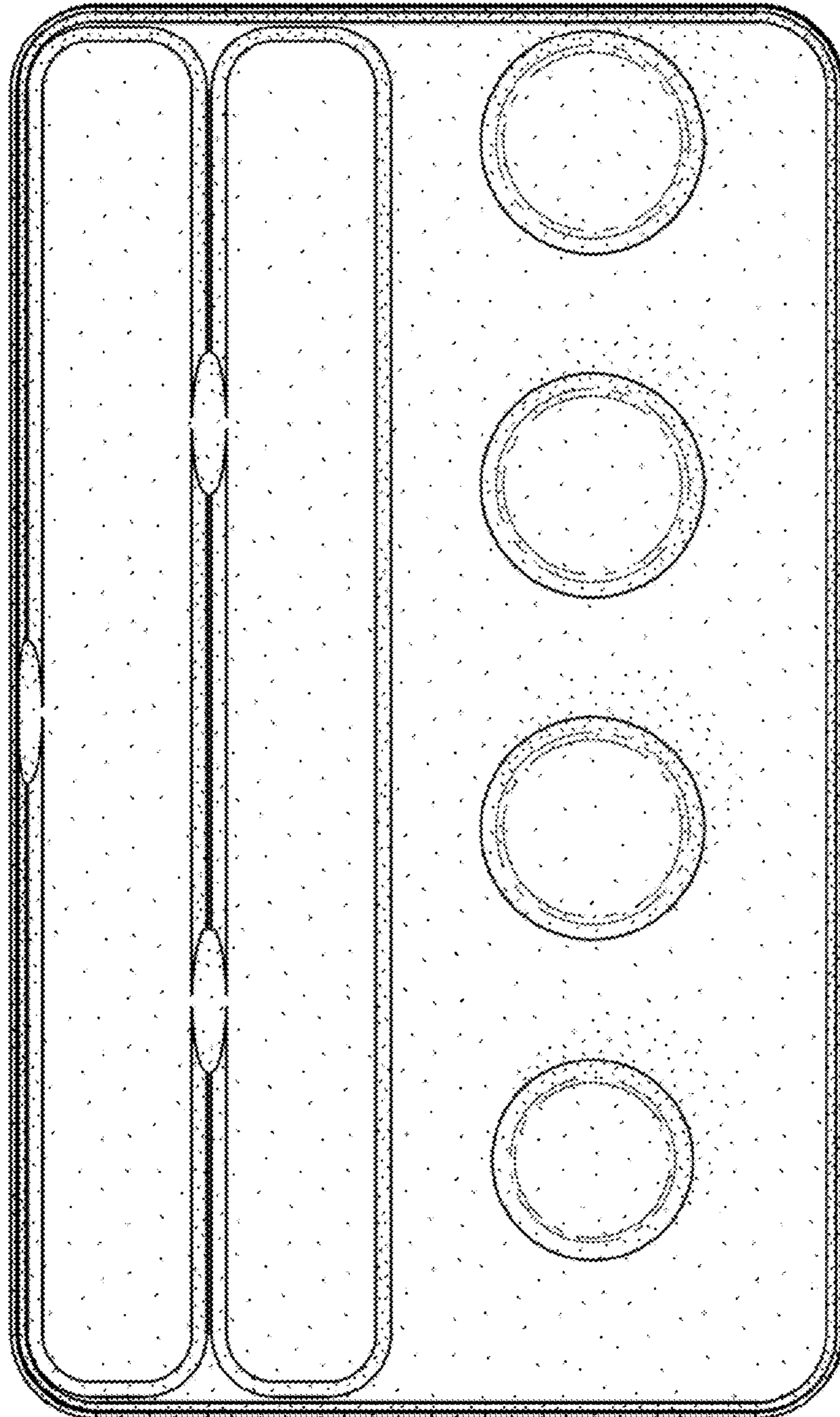


FIGURE 4

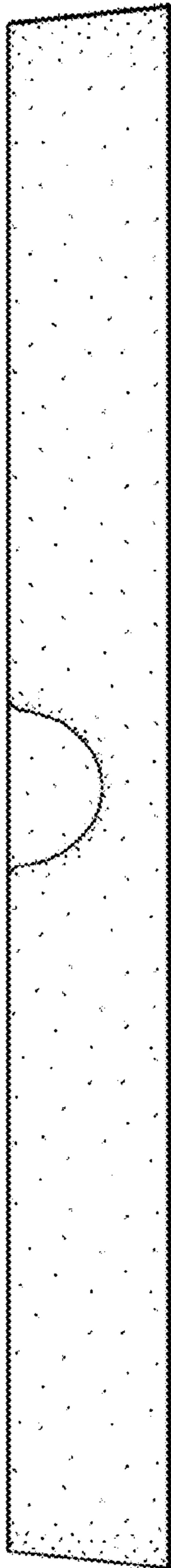


FIGURE 5

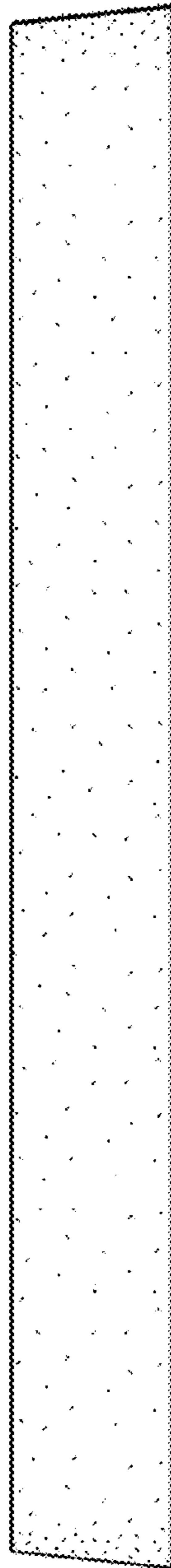


FIGURE 6

