



US00D742027S

(12) **United States Design Patent**  
**Lentz et al.**

(10) **Patent No.:** **US D742,027 S**

(45) **Date of Patent:** **\*\* Oct. 27, 2015**

(54) **SINGLE PIECE REAGENT HOLDER**

(71) Applicant: **BECTON, DICKINSON AND COMPANY**, Franklin Lakes, NJ (US)

(72) Inventors: **Ammon David Lentz**, York, PA (US);  
**Richard St. Pierre**, Québec (CA);  
**Dwight Livingston**, Fallston, MD (US);  
**Adam Bruce Steel**, Fallston, CA (US)

(73) Assignee: **Becton, Dickinson and Company**,  
Franklin Lakes, NJ (US)

(\*\*) Term: **14 Years**

(21) Appl. No.: **29/470,378**

(22) Filed: **Oct. 21, 2013**

**Related U.S. Application Data**

(62) Division of application No. 29/403,131, filed on Sep. 30, 2011, now Pat. No. Des. 692,162.

(51) **LOC (10) Cl.** ..... **24-01**

(52) **U.S. Cl.**  
USPC ..... **D24/224**

(58) **Field of Classification Search**  
USPC ..... D24/216–217, 219, 223–226, 227,  
D24/229–231, 232, 107, 121–123; D10/81;  
422/500, 547, 554, 556; 435/288.1,  
435/304.1, 304.3

See application file for complete search history.

(56) **References Cited**

**U.S. PATENT DOCUMENTS**

1,434,314 A 10/1922 Raich  
1,616,419 A 2/1927 Wilson

(Continued)

**FOREIGN PATENT DOCUMENTS**

CA 2294819 1/1999  
CN 103540518 1/2014

(Continued)

**OTHER PUBLICATIONS**

Goldmeyer et al., “Identification of *Staphylococcus aureus* and Determination of Methicillin Resistance Directly from Positive Blood Cultures by Isothermal Amplification and a Disposable Detection Device”, *J Clin Microbiol.* (Apr. 2008) 46(4): 1534-1536.

(Continued)

*Primary Examiner* — Anhdao Doan

(74) *Attorney, Agent, or Firm* — Knobbe Martens Olson & Bear LLP

(57) **CLAIM**

The ornamental design for a single piece reagent holder, substantially as shown and described.

**DESCRIPTION**

FIG. 1 is a perspective view of a single piece reagent holder showing a first embodiment of the new design;

FIG. 2 is a first side view thereof;

FIG. 3 is a second side view thereof;

FIG. 4 is a top plan view thereof;

FIG. 5 is a bottom plan view thereof;

FIG. 6 is a first end view thereof;

FIG. 7 is a second end view thereof;

FIG. 8 is a perspective view of a single piece reagent holder showing a second embodiment of the new design;

FIG. 9 is a first side view thereof;

FIG. 10 is a second side view thereof;

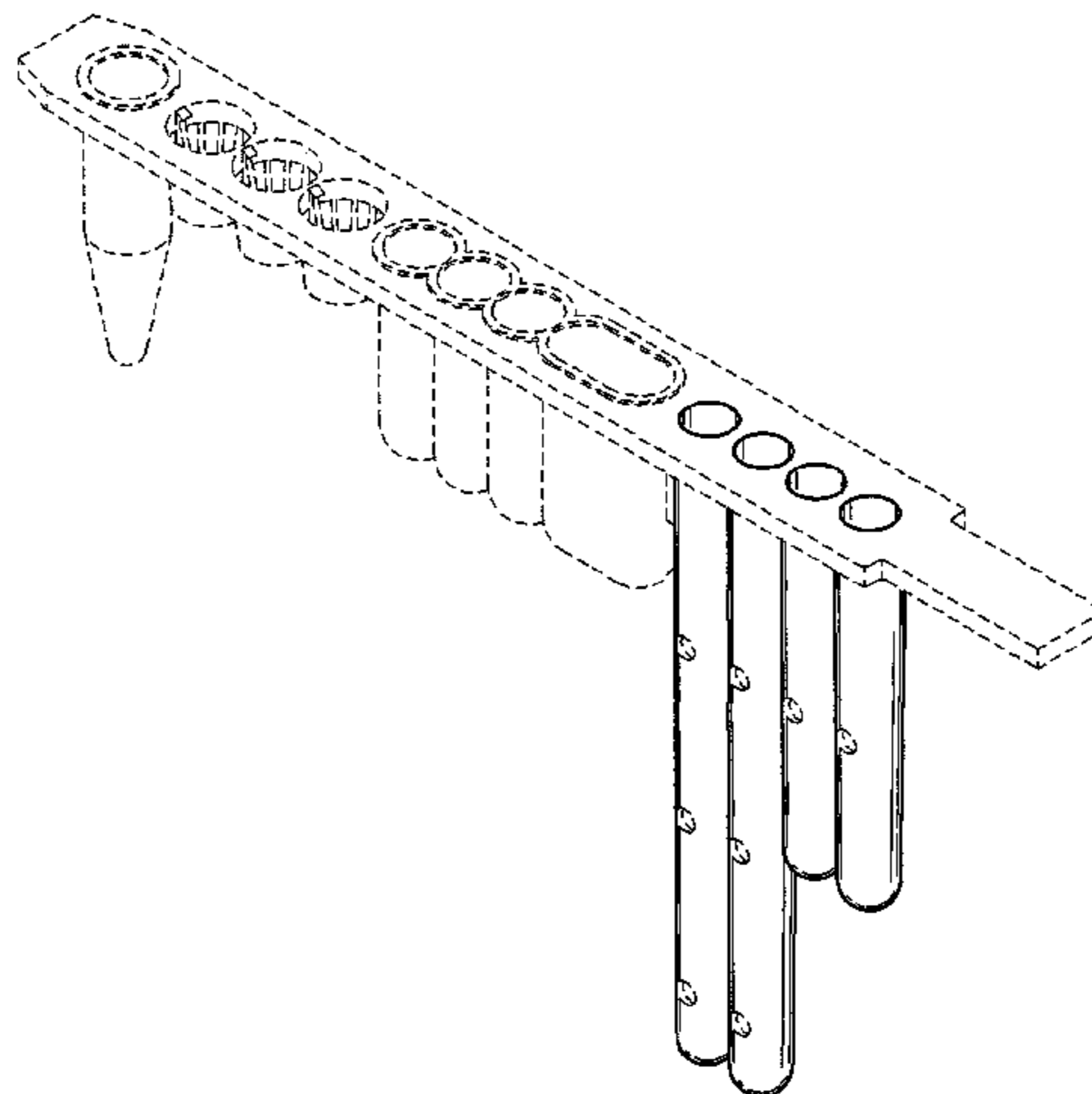
FIG. 11 is a first end view thereof; and,

FIG. 12 is a second end view thereof.

The top and bottom plan views of the second embodiment that are not shown in the drawing views are identical to the shown top and bottom plan views of the first embodiment.

The broken lines in the drawing views are included for the purpose of illustrating portions of the single piece reagent holder that form no part of the claimed design.

**1 Claim, 9 Drawing Sheets**



(56)

## References Cited

## U.S. PATENT DOCUMENTS

1,733,401 A	8/1930	Lovekin	5,169,512 A	12/1992	Wiedenmann et al.
D189,404 S	12/1960	Nicolle	D333,522 S	2/1993	Gianino
3,528,449 A	9/1970	Witte et al.	5,186,339 A	2/1993	Heissler
3,813,316 A	5/1974	Chakrabarty et al.	5,192,507 A	3/1993	Taylor et al.
3,985,649 A	10/1976	Eddelman	5,208,163 A	5/1993	Charlton et al.
4,018,089 A	4/1977	Dzula et al.	5,217,694 A	6/1993	Gibler et al.
4,018,652 A	4/1977	Lanham et al.	5,223,226 A	6/1993	Whittmer et al.
4,038,192 A	7/1977	Serur	D338,275 S	8/1993	Fischer et al.
4,055,395 A	10/1977	Honkawa et al.	5,250,263 A	10/1993	Manz
D249,706 S	9/1978	Adamski	5,252,743 A	10/1993	Barrett et al.
4,139,005 A	2/1979	Dickey	5,256,376 A	10/1993	Callan et al.
D252,157 S	6/1979	Kronish et al.	5,275,787 A	1/1994	Yuguchi et al.
D252,341 S	7/1979	Thomas	5,282,950 A	2/1994	Dietze et al.
D254,687 S	4/1980	Fadler et al.	5,296,375 A	3/1994	Kricka et al.
4,212,744 A	7/1980	Oota	5,304,477 A	4/1994	Nagoh et al.
D261,033 S	9/1981	Armbruster	5,304,487 A	4/1994	Wilding et al.
D261,173 S	10/1981	Armbruster	D347,478 S	5/1994	Pinkney
4,301,412 A	11/1981	Hill et al.	5,311,896 A	5/1994	Kaartinen et al.
4,439,526 A	3/1984	Columbus	5,311,996 A	5/1994	Duffy et al.
4,457,329 A	7/1984	Werley et al.	5,316,727 A	5/1994	Suzuki et al.
4,466,740 A	8/1984	Kano et al.	5,327,038 A	7/1994	Culp
4,504,582 A	3/1985	Swann	5,339,486 A	8/1994	Persic, Jr.
4,522,786 A	6/1985	Ebersole	D351,475 S	10/1994	Gerber
D279,817 S	7/1985	Chen et al.	D351,913 S	10/1994	Hieb et al.
D282,208 S	1/1986	Lowry	5,364,591 A	11/1994	Green et al.
4,599,315 A	7/1986	Teraski et al.	5,372,946 A	12/1994	Cusak et al.
4,612,873 A	9/1986	Eberle	5,374,395 A	12/1994	Robinson
4,612,959 A	9/1986	Costello	5,389,339 A	2/1995	Petschek et al.
D288,478 S	2/1987	Carlson et al.	D356,232 S	3/1995	Armstrong et al.
4,647,432 A	3/1987	Wakatake	5,397,709 A	3/1995	Berndt
4,654,127 A	3/1987	Baker et al.	5,401,465 A	3/1995	Smethers et al.
4,673,657 A	6/1987	Christian	5,411,708 A	5/1995	Moscetta et al.
4,678,752 A	7/1987	Thorne et al.	5,414,245 A	5/1995	Hackleman
4,683,195 A	7/1987	Mullis et al.	5,416,000 A	5/1995	Allen et al.
4,683,202 A	7/1987	Mullis	5,422,271 A	6/1995	Chen et al.
D292,735 S	11/1987	Lovborg	5,422,284 A	6/1995	Lau
4,720,374 A	1/1988	Ramachandran	5,427,946 A	6/1995	Kricka et al.
4,724,207 A	2/1988	Hou et al.	5,443,791 A	8/1995	Cathcart et al.
4,798,693 A	1/1989	Mase et al.	5,474,796 A	12/1995	Brennan
4,800,022 A	1/1989	Leonard	D366,116 S	1/1996	Biskupski
4,841,786 A	6/1989	Schulz	5,486,335 A	1/1996	Wilding et al.
D302,294 S	7/1989	Hillman	5,494,639 A	2/1996	Grzegorzewski
4,871,779 A	10/1989	Killat et al.	5,498,392 A	3/1996	Wilding et al.
4,895,650 A	1/1990	Wang	5,503,803 A	4/1996	Brown
4,919,829 A	4/1990	Gates et al.	5,516,410 A	5/1996	Schneider et al.
4,921,809 A	5/1990	Shiff et al.	5,519,635 A	5/1996	Miyake et al.
4,935,342 A	6/1990	Seligson et al.	5,529,677 A	6/1996	Schneider et al.
4,946,562 A	8/1990	Guruswamy	5,559,432 A	9/1996	Logue
4,949,742 A	8/1990	Rando et al.	5,565,171 A	10/1996	Dovich et al.
D310,413 S	9/1990	Bigler et al.	5,569,364 A	10/1996	Hooper et al.
4,963,498 A	10/1990	Hillman	5,578,270 A	11/1996	Reichler et al.
4,967,950 A	11/1990	Legg et al.	5,578,818 A	11/1996	Kain et al.
D312,692 S	12/1990	Bradley	5,579,928 A	12/1996	Anukwuem
4,978,502 A	12/1990	Dole et al.	5,580,523 A	12/1996	Bard
4,978,622 A	12/1990	Mishell et al.	5,582,884 A	12/1996	Ball et al.
4,989,626 A	2/1991	Takagi et al.	5,585,069 A	12/1996	Zanucchi et al.
5,001,417 A	3/1991	Pumphrey et al.	5,585,089 A	12/1996	Queen et al.
5,004,583 A	4/1991	Guruswamy et al.	5,585,242 A	12/1996	Bouma et al.
5,048,554 A	9/1991	Kremer	5,587,128 A	12/1996	Wilding et al.
5,053,199 A	10/1991	Keiser et al.	5,589,136 A	12/1996	Northrup et al.
5,060,823 A	10/1991	Perlman	5,593,838 A	1/1997	Zanzucchi et al.
5,061,336 A	10/1991	Soane	5,595,708 A	1/1997	Berndt
5,064,618 A	11/1991	Baker et al.	5,599,432 A	2/1997	Manz et al.
5,071,531 A	12/1991	Soane	5,599,503 A	2/1997	Manz et al.
5,091,328 A	2/1992	Miller	5,599,667 A	2/1997	Arnold, Jr. et al.
D324,426 S	3/1992	Fan et al.	5,601,727 A	2/1997	Bormann et al.
5,096,669 A	3/1992	Lauks et al.	5,603,351 A	2/1997	Cherukuri et al.
D325,638 S	4/1992	Sloat et al.	5,605,662 A	2/1997	Heller et al.
5,126,002 A	6/1992	Iwata et al.	D378,782 S	4/1997	LaBarbera et al.
5,126,022 A	6/1992	Soane et al.	5,628,890 A	5/1997	Carter et al.
D328,135 S	7/1992	Fan et al.	5,630,920 A	5/1997	Friese et al.
D328,794 S	8/1992	Frenkel et al.	5,631,337 A	5/1997	Sassi et al.
5,135,627 A	8/1992	Soane	5,632,876 A	5/1997	Zanzucchi et al.
5,135,872 A	8/1992	Pouletty et al.	5,632,957 A	5/1997	Heller et al.
5,147,606 A	9/1992	Charlton et al.	5,635,358 A	6/1997	Wilding et al.
			5,637,469 A	6/1997	Wilding et al.
			5,639,423 A	6/1997	Northrup et al.
			5,643,738 A	7/1997	Zanzucchi et al.
			5,646,039 A	7/1997	Northrup et al.

(56)

## References Cited

## U.S. PATENT DOCUMENTS

5,646,049 A	7/1997	Tayi	5,929,208 A	7/1999	Heller et al.
5,647,994 A	7/1997	Tuunanen et al.	D413,391 S	8/1999	Lapeus et al.
5,651,839 A	7/1997	Rauf	5,932,799 A	8/1999	Moles
5,652,141 A	7/1997	Henco et al.	5,935,401 A	8/1999	Amigo
5,652,149 A	7/1997	Mileaf et al.	5,939,291 A	8/1999	Loewy et al.
D382,346 S	8/1997	Buhler et al.	5,942,443 A	8/1999	Parce et al.
D382,647 S	8/1997	Staples et al.	D413,677 S	9/1999	Dumitrescu et al.
5,667,976 A	9/1997	Van Ness et al.	5,948,227 A	9/1999	Dubrow
5,671,303 A	9/1997	Shieh et al.	5,955,028 A	9/1999	Chow
5,674,394 A	10/1997	Whitmore	5,955,029 A	9/1999	Wilding et al.
5,674,742 A	10/1997	Northrup et al.	5,957,579 A	9/1999	Kopf-Sill et al.
5,681,484 A	10/1997	Zanzucchi et al.	5,958,203 A	9/1999	Parce et al.
5,681,529 A	10/1997	Taguchi et al.	5,958,694 A	9/1999	Nikiforov
5,683,657 A	11/1997	Mian	5,959,221 A	9/1999	Boyd et al.
5,699,157 A	12/1997	Parce	5,959,291 A	9/1999	Jensen
5,700,637 A	12/1997	Southern	5,964,995 A	10/1999	Nikiforov et al.
5,705,813 A	1/1998	Apffel et al.	5,964,997 A	10/1999	McBride
5,726,026 A	3/1998	Wilding et al.	5,965,001 A	10/1999	Chow et al.
5,726,404 A	3/1998	Brody	5,965,410 A	10/1999	Chow et al.
5,726,944 A	3/1998	Pelley et al.	5,965,886 A	10/1999	Sauer et al.
5,731,212 A	3/1998	Gavin et al.	5,968,745 A	10/1999	Thorp et al.
5,744,366 A	4/1998	Kricka et al.	5,972,187 A	10/1999	Parce et al.
5,747,666 A	5/1998	Willis	5,973,138 A	10/1999	Collis
5,750,015 A	5/1998	Soane et al.	D417,009 S	11/1999	Boyd
5,755,942 A	5/1998	Zanzucchi et al.	5,976,336 A	11/1999	Dubrow et al.
5,763,262 A	6/1998	Wong et al.	5,980,704 A	11/1999	Cherukuri et al.
5,770,029 A	6/1998	Nelson et al.	5,980,719 A	11/1999	Cherukuri et al.
5,770,388 A	6/1998	Vorpahl	5,981,735 A	11/1999	Thatcher et al.
5,772,966 A	6/1998	Maracas et al.	5,989,402 A	11/1999	Chow et al.
5,779,868 A	7/1998	Parce et al.	5,992,820 A	11/1999	Fare et al.
5,787,032 A	7/1998	Heller et al.	5,993,611 A	11/1999	Moroney, III et al.
5,788,814 A	8/1998	Sun et al.	5,993,750 A	11/1999	Ghosh et al.
5,800,600 A	9/1998	Lima-Marques et al.	5,997,708 A	12/1999	Craig
5,800,690 A	9/1998	Chow et al.	6,001,229 A	12/1999	Ramsey
5,804,436 A	9/1998	Okun et al.	6,001,231 A	12/1999	Kopf-Sill
D399,959 S	10/1998	Prokop et al.	6,001,307 A	12/1999	Naka et al.
5,827,481 A	10/1998	Bente et al.	6,004,515 A	12/1999	Parce et al.
5,842,106 A	11/1998	Thaler et al.	6,007,690 A	12/1999	Nelson et al.
5,842,787 A	12/1998	Kopf-Sill et al.	6,010,607 A	1/2000	Ramsey
5,846,396 A	12/1998	Zanzucchi et al.	6,010,608 A	1/2000	Ramsey
5,846,493 A	12/1998	Bankier et al.	6,010,627 A	1/2000	Hood, III
5,849,208 A	12/1998	Hayes et al.	6,012,902 A	1/2000	Parce
5,849,486 A	12/1998	Heller et al.	D420,747 S	2/2000	Dumitrescu et al.
5,849,489 A	12/1998	Heller	D421,130 S	2/2000	Cohen et al.
5,849,598 A	12/1998	Wilson et al.	6,024,920 A	2/2000	Cunanan
5,852,495 A	12/1998	Parce	D421,653 S	3/2000	Purcell
5,856,174 A	1/1999	Lipshutz et al.	6,033,546 A	3/2000	Ramsey
5,858,187 A	1/1999	Ramsey et al.	6,043,080 A	3/2000	Lipshutz et al.
5,858,188 A	1/1999	Soane et al.	6,046,056 A	4/2000	Parce et al.
5,863,502 A	1/1999	Southgate et al.	6,048,734 A	4/2000	Burns et al.
5,863,708 A	1/1999	Zanzucchi et al.	6,054,034 A	4/2000	Soane et al.
5,863,801 A	1/1999	Southgate et al.	6,054,277 A	4/2000	Furcht et al.
5,866,345 A	2/1999	Wilding et al.	6,056,860 A	5/2000	Amigo et al.
5,869,004 A	2/1999	Parce et al.	6,057,149 A	5/2000	Burns et al.
5,869,244 A	2/1999	Martin et al.	6,062,261 A	5/2000	Jacobson et al.
5,872,010 A	2/1999	Karger et al.	6,063,341 A	5/2000	Fassbind et al.
5,872,623 A	2/1999	Stabile et al.	6,063,589 A	5/2000	Kellogg et al.
5,874,046 A	2/1999	Megerle	6,068,752 A	5/2000	Dubrow et al.
5,876,675 A	3/1999	Kennedy	6,071,478 A	6/2000	Chow
5,880,071 A	3/1999	Parce et al.	6,074,725 A	6/2000	Kennedy
5,882,465 A	3/1999	McReynolds	6,074,827 A	6/2000	Nelson et al.
5,883,211 A	3/1999	Sassi et al.	D428,497 S	7/2000	Lapeus et al.
5,885,432 A	3/1999	Hooper et al.	6,086,740 A	7/2000	Kennedy
5,885,470 A	3/1999	Parce et al.	6,096,509 A	8/2000	Okun et al.
5,895,762 A	4/1999	Greenfield et al.	6,100,541 A	8/2000	Nagle et al.
5,900,130 A	5/1999	Benregnu et al.	6,102,897 A	8/2000	Lang
5,912,124 A	6/1999	Kumar	6,103,537 A	8/2000	Ullman et al.
5,912,134 A	6/1999	Shartle	6,106,685 A	8/2000	McBride et al.
5,916,522 A	6/1999	Boyd et al.	6,110,343 A	8/2000	Ramsey et al.
5,916,776 A	6/1999	Kumar	6,123,205 A	9/2000	Dumitrescu et al.
5,919,646 A	7/1999	Okun et al.	6,123,798 A	9/2000	Gandhi et al.
5,919,711 A	7/1999	Boyd et al.	6,130,098 A	10/2000	Handique et al.
5,922,591 A	7/1999	Anderson et al.	6,132,580 A	10/2000	Mathies et al.
5,927,547 A	7/1999	Papen et al.	6,132,684 A	10/2000	Marino
5,928,880 A	7/1999	Wilding et al.	6,133,436 A	10/2000	Koster et al.
			D433,759 S	11/2000	Mathis et al.
			6,143,250 A	11/2000	Tajima
			6,149,787 A	11/2000	Chow et al.
			6,156,199 A	12/2000	Zuk, Jr.

(56)

## References Cited

## U.S. PATENT DOCUMENTS

6,158,269	A	12/2000	Dorenkott et al.	6,416,642	B1	7/2002	Alajoki et al.
6,167,910	B1	1/2001	Chow	6,420,143	B1	7/2002	Kopf-sill
6,168,948	B1	1/2001	Anderson et al.	6,425,972	B1	7/2002	McReynolds
6,171,850	B1	1/2001	Nagle et al.	D461,906	S	8/2002	Pham
6,174,675	B1	1/2001	Chow et al.	6,428,987	B2	8/2002	Franzen
6,180,950	B1	1/2001	Olsen	6,430,512	B1	8/2002	Gallagher
D438,311	S	2/2001	Yamanishi et al.	6,432,366	B2	8/2002	Ruediger et al.
6,190,619	B1	2/2001	Kilcoin et al.	6,440,725	B1	8/2002	Pourahmadi et al.
D438,632	S	3/2001	Miller	D463,031	S	9/2002	Slomski et al.
D438,633	S	3/2001	Miller	6,444,461	B1	9/2002	Knapp et al.
D439,673	S	3/2001	Brophy et al.	6,447,661	B1	9/2002	Chow et al.
6,197,595	B1	3/2001	Anderson et al.	6,447,727	B1	9/2002	Parce et al.
6,211,989	B1	4/2001	Wulf et al.	6,448,064	B1	9/2002	Vo-Dinh et al.
6,213,151	B1	4/2001	Jacobson et al.	6,453,928	B1	9/2002	Kaplan et al.
6,221,600	B1	4/2001	MacLeod et al.	6,465,257	B1	10/2002	Parce et al.
6,228,635	B1	5/2001	Armstrong et al.	6,468,761	B2	10/2002	Yang et al.
6,232,072	B1	5/2001	Fisher	6,472,141	B2	10/2002	Nikiforov
6,235,175	B1	5/2001	Dubrow et al.	6,475,364	B1	11/2002	Dubrow et al.
6,235,313	B1	5/2001	Mathiowitz et al.	D467,348	S	12/2002	McMichael et al.
6,235,471	B1	5/2001	Knapp et al.	D467,349	S	12/2002	Niedbala et al.
6,236,456	B1	5/2001	Giebeler et al.	6,488,897	B2	12/2002	Dubrow et al.
6,236,581	B1	5/2001	Foss et al.	6,495,104	B1	12/2002	Unno et al.
6,238,626	B1	5/2001	Higuchi et al.	6,498,497	B1	12/2002	Chow et al.
6,251,343	B1	6/2001	Dubrow et al.	6,500,323	B1	12/2002	Chow et al.
6,254,826	B1	7/2001	Acosta et al.	6,500,390	B1	12/2002	Boulton et al.
6,259,635	B1	7/2001	Khoury et al.	D468,437	S	1/2003	McMenamy et al.
6,261,431	B1	7/2001	Mathies et al.	6,506,609	B1	1/2003	Wada et al.
6,267,858	B1	7/2001	Parce et al.	6,509,193	B1	1/2003	Tajima
D446,306	S	8/2001	Ochi et al.	6,511,853	B1	1/2003	Kopf-sill et al.
6,271,021	B1	8/2001	Burns et al.	D470,595	S	2/2003	Crisanti et al.
6,274,089	B1	8/2001	Chow et al.	6,515,753	B2	2/2003	Maher
6,280,967	B1	8/2001	Ransom et al.	6,517,783	B2	2/2003	Horner et al.
6,281,008	B1	8/2001	Komai et al.	6,520,197	B2	2/2003	Deshmukh et al.
6,284,113	B1	9/2001	Bjornson et al.	6,521,188	B1	2/2003	Webster
6,284,470	B1	9/2001	Bitner et al.	6,524,456	B1	2/2003	Ramsey et al.
6,287,254	B1	9/2001	Dodds	6,524,790	B1	2/2003	Kopf-sill et al.
6,287,774	B1	9/2001	Kikiforov	D472,324	S	3/2003	Rumore et al.
6,291,248	B1	9/2001	Haj-Ahmad	6,534,295	B2	3/2003	Tai et al.
6,294,063	B1	9/2001	Becker et al.	6,537,771	B1	3/2003	Farinas et al.
6,302,134	B1	10/2001	Kellogg et al.	6,540,896	B1	4/2003	Manz et al.
6,302,304	B1	10/2001	Spencer	6,544,734	B1	4/2003	Briscoe et al.
6,303,343	B1	10/2001	Kopf-sill	6,547,942	B1	4/2003	Parce et al.
6,306,273	B1	10/2001	Wainright et al.	6,555,389	B1	4/2003	Ullman et al.
6,306,590	B1	10/2001	Mehta et al.	6,556,923	B2	4/2003	Gallagher et al.
6,316,774	B1	11/2001	Giebeler et al.	D474,279	S	5/2003	Mayer et al.
6,319,469	B1	11/2001	Mian et al.	D474,280	S	5/2003	Niedbala et al.
6,322,683	B1	11/2001	Wolk et al.	6,558,916	B2	5/2003	Veerapandian et al.
6,326,083	B1	12/2001	Yang et al.	6,558,945	B1	5/2003	Kao
6,326,147	B1	12/2001	Oldham et al.	6,569,607	B2	5/2003	McReynolds
6,326,211	B1	12/2001	Anderson et al.	6,572,830	B1	6/2003	Burdon et al.
6,334,980	B1	1/2002	Hayes et al.	6,575,188	B2	6/2003	Parunak
6,337,435	B1	1/2002	Chu et al.	6,576,459	B2	6/2003	Miles et al.
6,353,475	B1	3/2002	Jensen et al.	6,579,453	B1	6/2003	Bächler et al.
6,358,387	B1	3/2002	Kopf-sill et al.	6,589,729	B2	7/2003	Chan et al.
6,366,924	B1	4/2002	Parce	6,592,821	B1	7/2003	Wada et al.
6,368,561	B1	4/2002	Rutishauser et al.	6,597,450	B1	7/2003	Andrews et al.
6,368,871	B1	4/2002	Christel et al.	6,602,474	B1	8/2003	Tajima
6,370,206	B1	4/2002	Schenk	6,613,211	B1	9/2003	Mccormick et al.
6,375,185	B1	4/2002	Lin	6,613,512	B1	9/2003	Kopf-sill et al.
6,375,901	B1	4/2002	Robotti et al.	6,613,580	B1	9/2003	Chow et al.
6,379,884	B2	4/2002	Wada et al.	6,613,581	B1	9/2003	Wada et al.
6,379,929	B1	4/2002	Burns et al.	6,613,581	B1	9/2003	Wada et al.
6,379,974	B1	4/2002	Parce et al.	6,614,030	B2	9/2003	Maher et al.
6,382,254	B1	5/2002	Yang et al.	6,620,625	B2	9/2003	Wolk et al.
6,391,541	B1	5/2002	Petersen et al.	6,623,860	B2	9/2003	Hu et al.
6,391,623	B1	5/2002	Besemer et al.	6,627,406	B1	9/2003	Singh et al.
6,395,161	B1	5/2002	Schneider et al.	D480,814	S	10/2003	Lafferty et al.
6,398,956	B1	6/2002	Coville et al.	6,632,655	B1	10/2003	Mehta et al.
6,399,025	B1	6/2002	Chow	6,633,785	B1	10/2003	Kasahara et al.
6,399,389	B1	6/2002	Parce et al.	D482,796	S	11/2003	Oyama et al.
6,399,952	B1	6/2002	Maher et al.	6,640,981	B2	11/2003	Lafond et al.
6,401,552	B1	6/2002	Elkins	6,649,358	B1	11/2003	Parce et al.
6,403,338	B1	6/2002	Knapp et al.	6,664,104	B2	12/2003	Pourahmadi et al.
6,408,878	B2	6/2002	Unger et al.	6,669,831	B2	12/2003	Chow et al.
6,413,401	B1	7/2002	Chow et al.	6,670,153	B2	12/2003	Stern
				D484,989	S	1/2004	Gebrian
				6,681,616	B2	1/2004	Spaid et al.
				6,681,788	B2	1/2004	Parce et al.
				6,685,813	B2	2/2004	Williams et al.
				6,692,700	B2	2/2004	Handique

(56)

## References Cited

## U.S. PATENT DOCUMENTS

6,695,009 B2	2/2004	Chien et al.	7,049,558 B2	5/2006	Baer et al.
6,706,519 B1	3/2004	Kellogg et al.	D523,153 S	6/2006	Akashi et al.
6,720,148 B1	4/2004	Nikiforov	7,055,695 B2	6/2006	Greenstein et al.
6,730,206 B2	5/2004	Ricco et al.	7,060,171 B1	6/2006	Nikiforov et al.
6,733,645 B1	5/2004	Chow	7,066,586 B2	6/2006	Dias da Silva
6,734,401 B2	5/2004	Bedingham et al.	7,069,952 B1	7/2006	McReynolds et al.
6,737,026 B1	5/2004	Bergh et al.	7,099,778 B2	8/2006	Chien
6,740,518 B1	5/2004	Duong et al.	D528,215 S	9/2006	Malmsater
D491,272 S	6/2004	Alden et al.	7,101,467 B2	9/2006	Spaid
D491,273 S	6/2004	Biegler et al.	7,105,304 B1	9/2006	Nikiforov et al.
D491,276 S	6/2004	Langille	D531,321 S	10/2006	Godfrey et al.
6,750,661 B2	6/2004	Brooks et al.	7,118,910 B2	10/2006	Unger et al.
6,752,966 B1	6/2004	Chazan	7,138,032 B2	11/2006	Gandhi et al.
6,756,019 B1	6/2004	Dubrow et al.	D534,280 S	12/2006	Gomm et al.
6,764,859 B1	7/2004	Kreuwel et al.	7,148,043 B2	12/2006	Kordunsky et al.
6,766,817 B2	7/2004	Dias da Silva	7,150,814 B1	12/2006	Parce et al.
6,773,567 B1	8/2004	Wolk	7,150,999 B1	12/2006	Shuck
6,777,184 B2	8/2004	Nikiforov et al.	D535,403 S	1/2007	Isozaki et al.
6,783,962 B1	8/2004	Olander et al.	7,160,423 B2	1/2007	Chien et al.
D495,805 S	9/2004	Lea et al.	7,161,356 B1	1/2007	Chien
6,787,015 B2	9/2004	Lackritz et al.	7,169,277 B2	1/2007	Ausserer et al.
6,787,016 B2	9/2004	Tan et al.	7,169,618 B2	1/2007	Skould
6,787,111 B2	9/2004	Roach et al.	D537,951 S	3/2007	Okamoto et al.
6,790,328 B2	9/2004	Jacobson et al.	D538,436 S	3/2007	Patadia et al.
6,790,330 B2	9/2004	Gascoyne et al.	7,192,557 B2	3/2007	Wu et al.
6,811,668 B1	11/2004	Berndt et al.	7,195,986 B1	3/2007	Bousse et al.
6,818,113 B2	11/2004	Williams et al.	7,208,125 B1	4/2007	Dong
6,819,027 B2	11/2004	Saraf	7,235,406 B1	6/2007	Woudenberg et al.
6,824,663 B1	11/2004	Boone	7,247,274 B1	7/2007	Chow
D499,813 S	12/2004	Wu	D548,841 S	8/2007	Brownell et al.
D500,142 S	12/2004	Crisanti et al.	D549,827 S	8/2007	Maeno et al.
D500,363 S	12/2004	Fanning et al.	7,252,928 B1	8/2007	Hafeman et al.
6,827,831 B1	12/2004	Chow et al.	7,270,786 B2	9/2007	Parunak et al.
6,827,906 B1	12/2004	Bjornson et al.	D554,069 S	10/2007	Bolotin et al.
6,838,156 B1	1/2005	Neyer et al.	D554,070 S	10/2007	Bolotin et al.
6,838,680 B2	1/2005	Maher et al.	7,276,208 B2	10/2007	Sevigny et al.
6,852,287 B2	2/2005	Ganesan	7,276,330 B2	10/2007	Chow et al.
6,858,185 B1	2/2005	Kopf-sill et al.	7,288,228 B2	10/2007	Lefebvre
6,859,698 B2	2/2005	Schmeisser	D556,914 S	12/2007	Okamoto et al.
6,861,035 B2	3/2005	Pham et al.	7,303,727 B1	12/2007	Dubrow et al.
6,878,540 B2	4/2005	Pourahmadi et al.	D559,995 S	1/2008	Handique et al.
6,878,755 B2	4/2005	Singh et al.	7,323,140 B2	1/2008	Handique et al.
6,884,628 B2	4/2005	Hubbell et al.	7,332,130 B2	2/2008	Handique
6,887,693 B2	5/2005	McMillan et al.	7,338,760 B2	3/2008	Gong et al.
6,893,879 B2	5/2005	Petersen et al.	D566,291 S	4/2008	Parunak et al.
6,900,889 B2	5/2005	Bjornson et al.	7,351,377 B2	4/2008	Chazan et al.
6,905,583 B2	6/2005	Wainright et al.	D569,526 S	5/2008	Duffy et al.
6,905,612 B2	6/2005	Dorian et al.	7,374,949 B2	5/2008	Kuriger
6,906,797 B1	6/2005	Kao et al.	7,390,460 B2	6/2008	Osawa et al.
6,908,594 B1	6/2005	Schaevitz et al.	7,419,784 B2	9/2008	Dubrow et al.
6,911,183 B1	6/2005	Handique et al.	7,422,669 B2	9/2008	Jacobson et al.
6,914,137 B2	7/2005	Baker	7,440,684 B2	10/2008	Spaid et al.
6,915,679 B2	7/2005	Chien et al.	7,476,313 B2	1/2009	Siddiqi
6,918,404 B2	7/2005	Dias da Silva	7,494,577 B2	2/2009	Williams et al.
D508,999 S	8/2005	Fanning et al.	7,494,770 B2	2/2009	Wilding et al.
6,939,451 B2	9/2005	Zhao et al.	7,514,046 B2	4/2009	Kechagia et al.
6,942,771 B1	9/2005	Kayyem	7,518,726 B2	4/2009	Rulison et al.
6,958,392 B2	10/2005	Fomovskaia et al.	7,521,186 B2	4/2009	Burd Mehta
D512,155 S	11/2005	Matsumoto	7,527,769 B2	5/2009	Bunch et al.
6,964,747 B2	11/2005	Banerjee et al.	D595,423 S	6/2009	Johansson et al.
6,977,163 B1	12/2005	Mehta	7,553,671 B2	6/2009	Sinclair et al.
6,984,516 B2	1/2006	Briscoe et al.	D596,312 S	7/2009	Giraud et al.
D515,707 S	2/2006	Shinohara et al.	D598,566 S	8/2009	Allaer
D516,221 S	2/2006	Wohlstadter et al.	D599,234 S	9/2009	Ito
7,001,853 B1	2/2006	Brown et al.	7,595,197 B2	9/2009	Brasseur
7,004,184 B2	2/2006	Handique et al.	7,604,938 B2	10/2009	Takahashi et al.
D517,554 S	3/2006	Yanagisawa et al.	7,635,588 B2	12/2009	King et al.
7,010,391 B2	3/2006	Handique et al.	7,645,581 B2	1/2010	Knapp et al.
7,023,007 B2	4/2006	Gallagher	7,670,559 B2	3/2010	Chien et al.
7,024,281 B1	4/2006	Unno	7,674,431 B2	3/2010	Ganesan
7,036,667 B2	5/2006	Greenstein et al.	7,704,735 B2	4/2010	Facer et al.
7,037,416 B2	5/2006	Parce et al.	7,723,123 B1	5/2010	Murphy et al.
7,038,472 B1	5/2006	Chien	D618,820 S	6/2010	Wilson et al.
7,039,527 B2	5/2006	Tripathi et al.	7,727,371 B2	6/2010	Kennedy et al.
7,040,144 B2	5/2006	Spaid et al.	7,727,477 B2	6/2010	Boronkay et al.
			7,744,817 B2	6/2010	Bui
			D621,060 S	8/2010	Handique
			7,867,776 B2	1/2011	Kennedy et al.
			D632,799 S	2/2011	Canner et al.

(56)

## References Cited

## U.S. PATENT DOCUMENTS

7,892,819 B2	2/2011	Wilding et al.	2003/0211517 A1	11/2003	Carulli et al.
D637,737 S	5/2011	Wilson et al.	2004/0014202 A1	1/2004	King et al.
7,998,708 B2	8/2011	Handique et al.	2004/0014238 A1	1/2004	Krug et al.
8,088,616 B2	1/2012	Handique	2004/0018119 A1	1/2004	Massaro
8,105,783 B2	1/2012	Handique	2004/0022689 A1	2/2004	Wulf et al.
8,110,158 B2	2/2012	Handique	2004/0029258 A1	2/2004	Heaney et al.
8,133,671 B2	3/2012	Williams et al.	2004/0029260 A1	2/2004	Hansen et al.
8,182,763 B2	5/2012	Duffy et al.	2004/0037739 A1	2/2004	McNeely et al.
8,273,308 B2	9/2012	Handique et al.	2004/0053290 A1	3/2004	Terbrueggen et al.
D669,597 S	10/2012	Cavada et al.	2004/0063217 A1	4/2004	Webster et al.
8,287,820 B2	10/2012	Williams et al.	2004/0072278 A1	4/2004	Chou et al.
8,323,584 B2	12/2012	Ganesan	2004/0072375 A1	4/2004	Gjerde et al.
8,323,900 B2	12/2012	Handique et al.	2004/0086427 A1	5/2004	Childers et al.
8,324,372 B2	12/2012	Brahmasandra et al.	2004/0086956 A1	5/2004	Bachur
8,415,103 B2	4/2013	Handique	2004/0141887 A1	7/2004	Mainquist et al.
8,420,015 B2	4/2013	Ganesan et al.	2004/0151629 A1	8/2004	Pease et al.
8,440,149 B2	5/2013	Handique	2004/0157220 A1	8/2004	Kurnool et al.
8,470,586 B2	6/2013	Wu et al.	2004/0161788 A1	8/2004	Chen et al.
8,473,104 B2	6/2013	Handique et al.	2004/0189311 A1	9/2004	Glezer et al.
D692,162 S	10/2013	Lentz et al.	2004/0200909 A1	10/2004	McMillan et al.
8,679,831 B2	3/2014	Handique et al.	2004/0209331 A1	10/2004	Ririe
8,685,341 B2	4/2014	Ganesan	2004/0209354 A1	10/2004	Mathies et al.
8,703,069 B2	4/2014	Handique et al.	2004/0219070 A1	11/2004	Handique
8,709,787 B2	4/2014	Handique	2004/0235154 A1	11/2004	Oh et al.
8,710,211 B2	4/2014	Brahmasandra et al.	2004/0240097 A1	12/2004	Evans
8,734,733 B2	5/2014	Handique	2005/0009174 A1	1/2005	Nikiforov et al.
8,765,076 B2	7/2014	Handique et al.	2005/0013737 A1	1/2005	Chow et al.
8,852,862 B2	10/2014	Wu et al.	2005/0041525 A1	2/2005	Pugia et al.
8,883,490 B2	11/2014	Handique et al.	2005/0042639 A1	2/2005	Knapp et al.
8,894,947 B2	11/2014	Ganesan et al.	2005/0048540 A1	3/2005	Inami et al.
8,895,311 B1	11/2014	Handique et al.	2005/0058574 A1	3/2005	Bysouth et al.
2001/0012492 A1	8/2001	Acosta et al.	2005/0058577 A1	3/2005	Micklash et al.
2001/0021355 A1	9/2001	Baugh et al.	2005/0069898 A1	3/2005	Moon et al.
2001/0023848 A1	9/2001	Gjerde et al.	2005/0084424 A1	4/2005	Ganesan et al.
2001/0038450 A1	11/2001	McCaffrey et al.	2005/0106066 A1	5/2005	Saltsman et al.
2001/0046702 A1	11/2001	Schmebri	2005/0121324 A1	6/2005	Park et al.
2001/0048899 A1	12/2001	Marouiss et al.	2005/0129580 A1	6/2005	Swinehart et al.
2001/0055765 A1	12/2001	O'Keefe et al.	2005/0133370 A1	6/2005	Park et al.
2002/0001848 A1	1/2002	Bedingham et al.	2005/0135655 A1	6/2005	Kopf-sill et al.
2002/0008053 A1	1/2002	Hansen et al.	2005/0142036 A1	6/2005	Kim et al.
2002/0009015 A1	1/2002	Laugharn, Jr. et al.	2005/0152808 A1	7/2005	Ganesan
2002/0014443 A1	2/2002	Hansen et al.	2005/0170362 A1	8/2005	Wada et al.
2002/0015667 A1	2/2002	Chow	2005/0186585 A1	8/2005	Juncosa et al.
2002/0021983 A1	2/2002	Comte et al.	2005/0202470 A1	9/2005	Sundberg et al.
2002/0037499 A1	3/2002	Quake et al.	2005/0202504 A1	9/2005	Anderson et al.
2002/0039783 A1	4/2002	McMillan et al.	2005/0208676 A1	9/2005	Kahatt
2002/0053399 A1	5/2002	Soane et al.	2005/0214172 A1	9/2005	Burgisser
2002/0054835 A1	5/2002	Robotti et al.	2005/0220675 A1	10/2005	Reed et al.
2002/0055167 A1	5/2002	Pourahmadi et al.	2005/0227269 A1	10/2005	Lloyd et al.
2002/0058332 A1	5/2002	Quake et al.	2005/0233370 A1	10/2005	Ammann et al.
2002/0060156 A1	5/2002	Mathies et al.	2005/0238545 A1	10/2005	Parce et al.
2002/0068357 A1	6/2002	Mathies et al.	2005/0272079 A1	12/2005	Burns et al.
2002/0141903 A1	10/2002	Parunak et al.	2006/0041058 A1	2/2006	Yin et al.
2002/0142471 A1	10/2002	Handique et al.	2006/0057039 A1	3/2006	Morse et al.
2002/0143297 A1	10/2002	Francavilla et al.	2006/0057629 A1	3/2006	Kim
2002/0143437 A1	10/2002	Handique et al.	2006/0062696 A1	3/2006	Chow et al.
2002/0155477 A1	10/2002	Ito	2006/0094108 A1	5/2006	Yoder et al.
2002/0169518 A1	11/2002	Luoma et al.	2006/0113190 A1	6/2006	Kurnik
2002/0187557 A1	12/2002	Hobbs et al.	2006/0133965 A1	6/2006	Tajima et al.
2003/0019522 A1	1/2003	Parunak	2006/0134790 A1	6/2006	Tanaka et al.
2003/0022392 A1	1/2003	Hudak	2006/0148063 A1	7/2006	Fauzzi et al.
2003/0049174 A1	3/2003	Ganesan	2006/0165558 A1	7/2006	Witty et al.
2003/0049833 A1	3/2003	Chen et al.	2006/0165559 A1	7/2006	Greenstein et al.
2003/0064507 A1	4/2003	Gallagher et al.	2006/0166233 A1	7/2006	Wu et al.
2003/0070677 A1	4/2003	Handique et al.	2006/0177376 A1	8/2006	Tomalia et al.
2003/0072683 A1	4/2003	Stewart et al.	2006/0177855 A1	8/2006	Utermohlen et al.
2003/0073106 A1	4/2003	Johansen et al.	2006/0183216 A1	8/2006	Handique
2003/0083686 A1	5/2003	Freeman et al.	2006/0201887 A1	9/2006	Siddiqi
2003/0087300 A1	5/2003	Knapp et al.	2006/0207944 A1	9/2006	Siddiqi
2003/0096310 A1	5/2003	Hansen et al.	2006/0210435 A1	9/2006	Alavie et al.
2003/0127327 A1	7/2003	Kurnik	2006/0246493 A1	11/2006	Jensen et al.
2003/0136679 A1	7/2003	Bohn et al.	2006/0246533 A1	11/2006	Fathollahi et al.
2003/0186295 A1	10/2003	Colin et al.	2006/0269961 A1	11/2006	Fukushima et al.
2003/0190608 A1	10/2003	Blackburn et al.	2007/0004028 A1	1/2007	Lair et al.
2003/0199081 A1	10/2003	Wilding et al.	2007/0009386 A1	1/2007	Padmanabhan et al.
			2007/0020699 A1	1/2007	Carpenter et al.
			2007/0026421 A1	2/2007	Sundberg et al.
			2007/0042441 A1	2/2007	Masters et al.
			2007/0092901 A1	4/2007	Ligler et al.

(56)

References Cited

U.S. PATENT DOCUMENTS

2007/0098600 A1 5/2007 Kayyem et al.  
 2007/0099200 A1 5/2007 Chow et al.  
 2007/0104617 A1 5/2007 Coulling et al.  
 2007/0154895 A1 7/2007 Spaid et al.  
 2007/0177147 A1 8/2007 Parce  
 2007/0178607 A1 8/2007 Prober et al.  
 2007/0184463 A1 8/2007 Molho et al.  
 2007/0184547 A1 8/2007 Handique et al.  
 2007/0196237 A1 8/2007 Neuzil et al.  
 2007/0196238 A1 8/2007 Kennedy et al.  
 2007/0199821 A1 8/2007 Chow  
 2007/0215554 A1 9/2007 Kreuwel et al.  
 2007/0218459 A1 9/2007 Miller et al.  
 2007/0231213 A1 10/2007 Prabhu et al.  
 2007/0243626 A1 10/2007 Windeyer et al.  
 2007/0261479 A1 11/2007 Spaid et al.  
 2007/0269861 A1 11/2007 Williams et al.  
 2007/0292941 A1 12/2007 Handique et al.  
 2008/0000774 A1 1/2008 Park et al.  
 2008/0017306 A1 1/2008 Liu et al.  
 2008/0050804 A1 2/2008 Handique et al.  
 2008/0056948 A1 3/2008 Dale et al.  
 2008/0069729 A1 3/2008 McNeely  
 2008/0075634 A1 3/2008 Herchenbach et al.  
 2008/0090244 A1 4/2008 Knapp et al.  
 2008/0095673 A1 4/2008 Xu  
 2008/0118987 A1 5/2008 Eastwood et al.  
 2008/0124723 A1 5/2008 Dale et al.  
 2008/0149840 A1 6/2008 Handique et al.  
 2008/0160601 A1 7/2008 Handique  
 2008/0182301 A1 7/2008 Handique et al.  
 2008/0192254 A1 8/2008 Kim et al.  
 2008/0226502 A1 9/2008 Jonsmann et al.  
 2008/0247914 A1 10/2008 Edens et al.  
 2008/0262213 A1 10/2008 Wu et al.  
 2009/0047713 A1 2/2009 Handique  
 2009/0129978 A1 5/2009 Wilson et al.  
 2009/0130719 A1 5/2009 Handique  
 2009/0130745 A1 5/2009 Williams et al.  
 2009/0131650 A1 5/2009 Brahmasandra et al.  
 2009/0134069 A1 5/2009 Handique  
 2009/0136385 A1 5/2009 Handique et al.  
 2009/0136386 A1 5/2009 Duffy et al.  
 2009/0155123 A1 6/2009 Williams et al.  
 2009/0189089 A1 7/2009 Bedingham et al.  
 2009/0221059 A1 9/2009 Williams et al.  
 2009/0223925 A1 9/2009 Morse et al.  
 2010/0009351 A1 1/2010 Brahmasandra et al.  
 2011/0008825 A1 1/2011 Ingber et al.  
 2011/0158865 A1 6/2011 Miller et al.  
 2012/0022695 A1 1/2012 Handique et al.  
 2012/0085416 A1 4/2012 Ganesan  
 2012/0122108 A1 5/2012 Handique  
 2012/0160826 A1 6/2012 Handique  
 2012/0171759 A1 7/2012 Williams et al.  
 2012/0183454 A1 7/2012 Handique  
 2012/0258463 A1 10/2012 Duffy et al.  
 2013/0037564 A1 2/2013 Williams et al.  
 2013/0071851 A1 3/2013 Handique et al.  
 2013/0096292 A1 4/2013 Brahmasandra et al.  
 2013/0101990 A1 4/2013 Handique et al.  
 2013/0164832 A1 6/2013 Ganesan et al.  
 2013/0183769 A1\* 7/2013 Tajima ..... 436/165  
 2013/0217013 A1 8/2013 Steel et al.  
 2013/0217102 A1 8/2013 Ganesan et al.  
 2013/0251602 A1 9/2013 Handique et al.  
 2013/0280131 A1 10/2013 Handique et al.  
 2013/0288358 A1 10/2013 Handique et al.  
 2014/0030798 A1 1/2014 Wu et al.  
 2014/0045186 A1 2/2014 Gubatayao et al.  
 2014/0206088 A1 7/2014 Lentz et al.  
 2014/0212882 A1 7/2014 Handique et al.  
 2014/0227710 A1 8/2014 Handique et al.  
 2014/0297047 A1 10/2014 Ganesan et al.  
 2014/0323357 A1 10/2014 Handique et al.

2014/0323711 A1 10/2014 Brahmasandra et al.  
 2014/0329301 A1 11/2014 Handique et al.  
 2014/0342352 A1 11/2014 Handique et al.  
 2014/0377850 A1 12/2014 Handique et al.  
 2015/0064702 A1 3/2015 Handique et al.  
 2015/0118684 A1 4/2015 Wu et al.

FOREIGN PATENT DOCUMENTS

DE 19929734 12/1999  
 DE 19833293 C1 1/2000  
 EP 0365828 A2 5/1990  
 EP 0766256 4/1997  
 EP 1541237 A2 6/2005  
 EP 2372367 A1 10/2011  
 FR 2672301 8/1992  
 FR 2795426 12/2000  
 JP 58212921 A 12/1983  
 JP S62-119460 5/1987  
 JP H01-502319 8/1989  
 JP 03-054470 3/1991  
 JP 04-053555 U 5/1992  
 JP 06-064156 U 9/1994  
 JP 07-020010 1/1995  
 JP H07-290706 11/1995  
 JP H08-122336 5/1996  
 JP H08-211071 8/1996  
 JP H08-285859 11/1996  
 JP H09-325151 12/1997  
 JP 2001-502790 1/1998  
 JP 2000-514928 4/1999  
 JP H11-515106 12/1999  
 JP 2000-275255 10/2000  
 JP 2001-502319 2/2001  
 JP 2001-509437 7/2001  
 JP 3191150 B2 7/2001  
 JP 2001-515216 9/2001  
 JP 2001-527220 12/2001  
 JP 2002-085961 3/2002  
 JP 2002-215241 7/2002  
 JP 2002-544476 12/2002  
 JP 2003-500674 1/2003  
 JP 2003-047839 A 2/2003  
 JP 2003-047840 A 2/2003  
 JP 2003-516125 5/2003  
 JP 2003-185584 7/2003  
 JP 2003-299485 10/2003  
 JP 2003-329693 11/2003  
 JP 2004-506179 A 2/2004  
 JP 2004-150797 A 5/2004  
 JP 2004-531360 A 10/2004  
 JP 2004-361421 12/2004  
 JP 2004-536291 12/2004  
 JP 2005-009870 1/2005  
 JP 2005-511264 4/2005  
 JP 2005-514718 5/2005  
 JP 2005-176613 A 7/2005  
 JP 2005-192554 7/2005  
 JP 2005-204661 8/2005  
 JP 2005-525816 9/2005  
 JP 2005-291954 A 10/2005  
 JP 2005-323519 11/2005  
 JP 2006-021156 A 1/2006  
 JP 2006-094866 A 4/2006  
 JP 2006-167569 6/2006  
 JP 2007-074960 3/2007  
 JP 2007-097477 4/2007  
 JP 2007-510518 4/2007  
 JP 2007-514405 A 6/2007  
 JP 2007-178328 7/2007  
 WO 88/06633 9/1988  
 WO 90/12350 10/1990  
 WO 92/05443 4/1992  
 WO 94/11103 5/1994  
 WO 96/04547 2/1996  
 WO 97/05492 2/1997  
 WO 97/21090 6/1997  
 WO 98/00231 1/1998  
 WO 98/22625 5/1998

(56)

## References Cited

## FOREIGN PATENT DOCUMENTS

WO	WO 98/49548	11/1998
WO	WO 98/53311	11/1998
WO	WO 99/01688	1/1999
WO	WO 99/09042	2/1999
WO	WO 99/12016	3/1999
WO	WO 99/33559	7/1999
WO	WO 01/05510	1/2001
WO	WO 01/14931	3/2001
WO	WO 01/27614	4/2001
WO	WO 01/28684	4/2001
WO	WO 01/41931	6/2001
WO	WO 01/54813	8/2001
WO	WO 01/89681	11/2001
WO	WO 02/072264	9/2002
WO	WO 02/078845	10/2002
WO	WO 03/012325	2/2003
WO	WO 03/012406	2/2003
WO	WO 03/048295	6/2003
WO	WO 03/055605	7/2003
WO	WO 03/076661	9/2003
WO	WO 03/087410	10/2003
WO	WO 2004/007081	1/2004
WO	WO 2004/048545	6/2004
WO	WO 2004/055522	7/2004
WO	WO 2004/074848	9/2004
WO	WO 2004/094986	11/2004
WO	WO 2005/011867	2/2005
WO	WO 2005/030984	4/2005
WO	WO 2005/107947	11/2005
WO	WO 2005/108620	11/2005
WO	WO 2005/116202	12/2005
WO	WO 2005/118867	12/2005
WO	WO 2006/010584	2/2006
WO	WO 2006/032044	3/2006
WO	WO 2006/035800	4/2006
WO	WO 2006/066001	6/2006
WO	WO 2006/079082	7/2006
WO	WO 2006/113198	10/2006
WO	WO 2006/119280	11/2006
WO	WO 2007/044917	4/2007
WO	WO 2007/050327	5/2007
WO	WO 2007/064117	6/2007
WO	WO 2007/091530	8/2007
WO	WO 2007/112114	10/2007
WO	WO 2008/030914	3/2008
WO	WO 2008/060604	5/2008
WO	WO 2009/012185	1/2009
WO	WO 2009/054870 A2	4/2009
WO	WO 2010/118541	10/2010

## OTHER PUBLICATIONS

Meyers, R.A., *Molecular Biology and Biotechnology: A Comprehensive Desk Reference*; VCH Publishers, Inc. New York, NY; (1995) pp. 418-419.

Kuo et al., "Remnant cationic dendrimers block RNA migration in electrophoresis after monophasic lysis", *J Biotech.* (2007) 129: 383-390.

Tanaka et al., "Modification of DNA extraction from maize using polyamidoamine-dendrimer modified magnetic particles", *Proceedings of the 74th Annual Meeting of the Electrochemical Society of Japan*, Mar. 29, 2007; Faculty of Engineering, Science University of Tokyo; 2 pages.

Wu et al., "Polycationic dendrimers interact with RNA molecules: polyamine dendrimers inhibit the catalytic activity of *Candida* ribozymes", *Chem Commun.* (2005) 3: 313-315.

Zhou et al., "Cooperative binding and self-assembling behavior of cationic low molecular-weight dendrons with RNA molecules", *Org Biomol Chem.* (2006) 4(3): 581-585.

Zhou et al., "PANAM dendrimers for efficient siRNA delivery and potent gene silencing", *Chem Comm.(Camb.)* (2006) 22: 2362-2364.

Bollet, C. et al., "A simple method for the isolation of chromosomal DNA from Gram positive or acid-fast bacteria", *Nucleic Acids Research*, vol. 19, No. 8 (1991), p. 1955.

Brahmasandra et al., On-chip DNA detection in microfabricated separation systems, *SPIE Conference on Microfluidic Devices and Systems*, 1998, vol. 3515, pp. 242-251, Santa Clara, CA.

Breadmore, M.C. et al., "Microchip-Based Purification of DNA from Biological Samples", *Anal. Chem.*, vol. 75 (2003), pp. 1880-1886.

Brody, et al., Diffusion-Based Extraction in a Microfabricated Device, *Sensors and Actuators Elsevier*, 1997, vol. A58, No. 1, pp. 13-18.

Broyles et al., "Sample Filtration, Concentration, and Separation Integrated on Microfluidic Devices" *Analytical Chemistry (American Chemical Society)*, (2003) 75(11): 2761-2767.

Burns et al., "An Integrated Nanoliter DNA Analysis Device", *Science* 282:484-487 (1998).

Carlen et al., "Paraffin Actuated Surface Micromachined Valve," in *IEEE MEMS 2000 Conference*, Miyazaki, Japan, (Jan. 2000) pp. 381-385.

Chung, Y. et al., "Microfluidic chip for high efficiency DNA extraction", *Miniaturisation for Chemistry, Biology & Bioengineering*, vol. 4, No. 2 (Apr. 2004), pp. 141-147.

Handique et al., On-Chip Thermopneumatic Pressure for Discrete Drop Pumping, *Analytical Chemistry*, American Chemical Society, Apr. 15, 2001, vol. 73, No. 8, 1831-1838.

Handique et al., "Microfluidic flow control using selective hydrophobic patterning", *SPIE*, (1997) 3224: 185-194.

Handique, K. et al., "Nanoliter-volume discrete drop injection and pumping in microfabricated chemical analysis systems", *Solid-State Sensor and Actuator Workshop (Hilton Head, South Carolina, Jun. 8-11, 1998)* pp. 346-349.

Handique, K. et al., "Mathematical Modeling of Drop Mixing in a Slit-Type Microchannel", *J. Micromech. Microeng.*, 11:548-554 (2001).

Handique, K. et al., "Nanoliter Liquid Metering in Microchannels Using Hydrophobic Patterns", *Anal. Chem.*, 72:4100-4109 (2000).

He, et al., Microfabricated Filters for Microfluidic Analytical Systems, *Analytical Chemistry*, American Chemical Society, 1999, vol. 71, No. 7, pp. 1464-1468.

Ibrahim, et al., Real-Time Microchip PCR for Detecting Single-Base Differences in Viral and Human DNA, *Analytical Chemistry*, American Chemical Society, 1998, 70(9): 2013-2017.

Khandurina et al., Microfabricated Porous Membrane Structure for Sample Concentration and Electrophoretic Analysis, *Analytical Chemistry* American Chemical Society, 1999, 71(9): 1815-1819.

Kopp et al., Chemical Amplification: Continuous-Flow PCR on a Chip, *www.sciencemag.org*, 1998, vol. 280, pp. 1046-1048.

Kutter et al., Solid Phase Extraction on Microfluidic Devices, *J. Microcolumn Separations*, John Wiley & Sons, Inc., 2000, 12(2): 93-97.

Lagally et al., Single-Molecule DNA Amplification and Analysis in an Integrated Microfluidic Device, *Analytical Chemistry*, American Chemical Society, 2001, 73(3): 565-570.

Livache et al., "Polypyrrole DNA chip on a Silicon Device: Example of Hepatitis C Virus Genotyping", *Analytical Biochemistry*, (1998) 255: 188-194.

Mascini et al., "DNA electrochemical biosensors", *Fresenius J. Anal. Chem.*, 369: 15-22, (2001).

Nakagawa et al., Fabrication of amino silane-coated microchip for DNA extraction from whole blood, *J of Biotechnology*, Mar. 2, 2005, vol. 116, pp. 105-111.

Northrup et al., A Miniature Analytical Instrument for Nucleic Acids Based on Micromachined Silicon Reaction Chambers, *Analytical Chemistry*, American Chemical Society, 1998, 70(5): 918-922.

Oleschuk et al., Trapping of Bead-Based Reagents within Microfluidic Systems: On-Chip Solid-Phase Extraction and Electrochromatography, *Analytical Chemistry*, American Chemical Society, 2000, 72(3): 585-590.

Plambeck et al., "Electrochemical Studies of Antitumor Antibiotics", *J. Electrochem Soc.: Electrochemical Science and Technology* (1984), 131(11): 2556-2563.

Roche et al. "Ectodermal commitment of insulin-producing cells derived from mouse embryonic stem cells" *Faseb J* (2005) 19: 1341-1343.

Ross et al., Analysis of DNA Fragments from Conventional and Microfabricated PCR Devices Using Delayed Extraction MALDI-



(56)

**References Cited**

OTHER PUBLICATIONS

TOF Mass Spectrometry, Analytical Chemistry, American Chemical Society, 1998, 70(10): 2067-2073.

Shoffner et al., Chip PCR.I. Surface Passivation of Microfabricated Silicon-Glass Chips for PCR, Nucleic Acids Research, Oxford University Press, (1996) 24(2): 375-379.

Smith, K. et al., "Comparison of Commercial DNA Extraction Kits for Extraction of Bacterial Genomic DNA from Whole-Blood Samples", Journal of Clinical Microbiology, vol. 41, No. 6 (Jun. 2003), pp. 2440-2443.

Wang, "Survey and Summary, from DNA Biosensors to Gene Chips", Nucleic Acids Research, 28(16):3011-3016, (2000).

Waters et al., Microchip Device for Cell Lysis, Multiplex PCR Amplification, and Electrophoretic Sizing, Analytical Chemistry, American Chemical Society, 1998, 70(1): 158-162.

Weigl, et al., Microfluidic Diffusion-Based Separation and Detection, www.sciencemag.org, 1999, vol. 283, pp. 346-347.

Yoza et al., "Fully Automated DNA Extraction from Blood Using Magnetic Particles Modified with a Hyperbranched Polyamidomine Dendrimer", Journal of Bioscience and Bioengineering, 2003, 95(1): 21-26.

Yoza et al., DNA extraction using bacterial magnetic particles modified with hyperbranched polyamidoamine dendrimer, Mar. 20, 2003, 101(3): 219-228.

\* cited by examiner

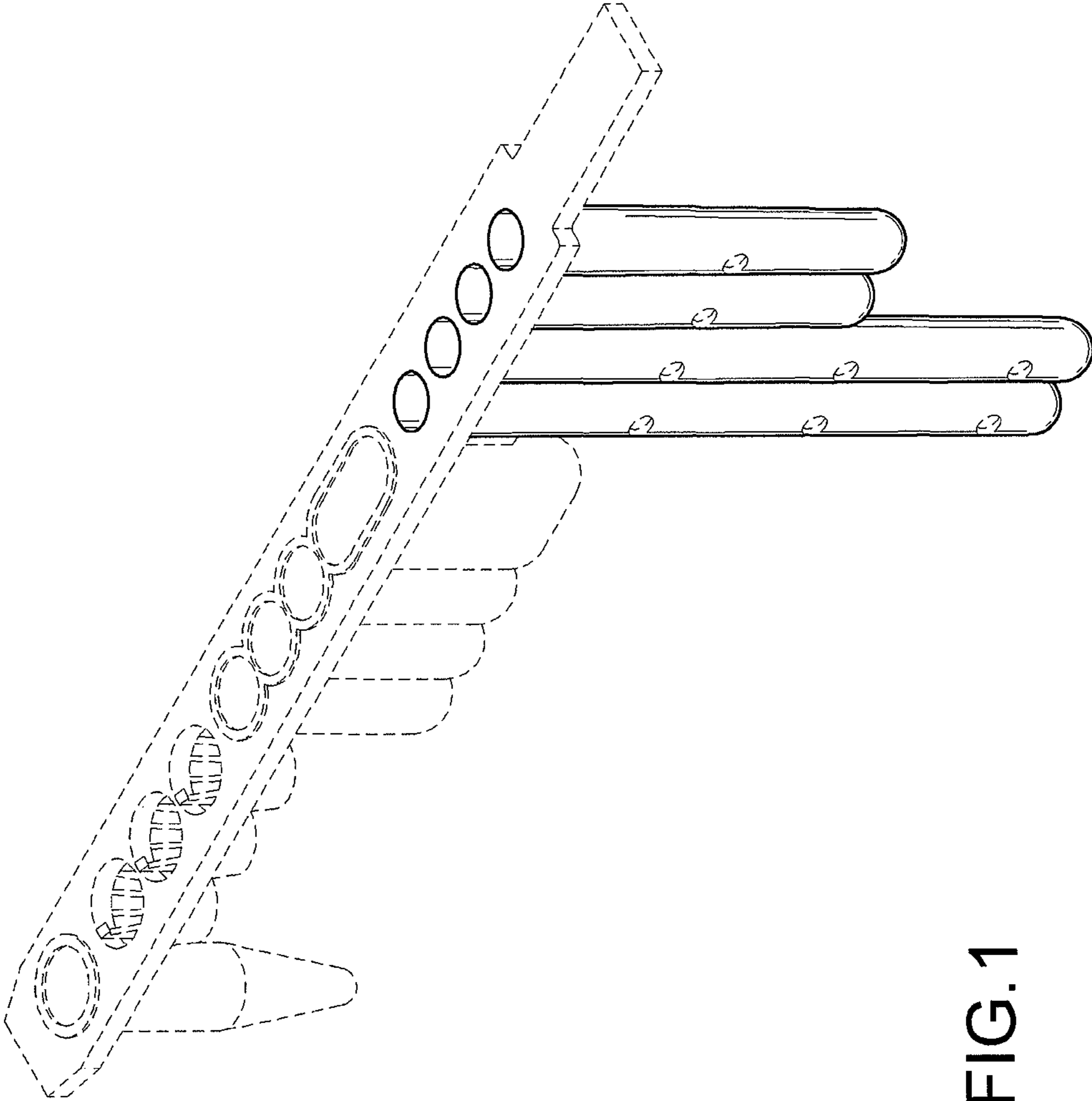


FIG.1

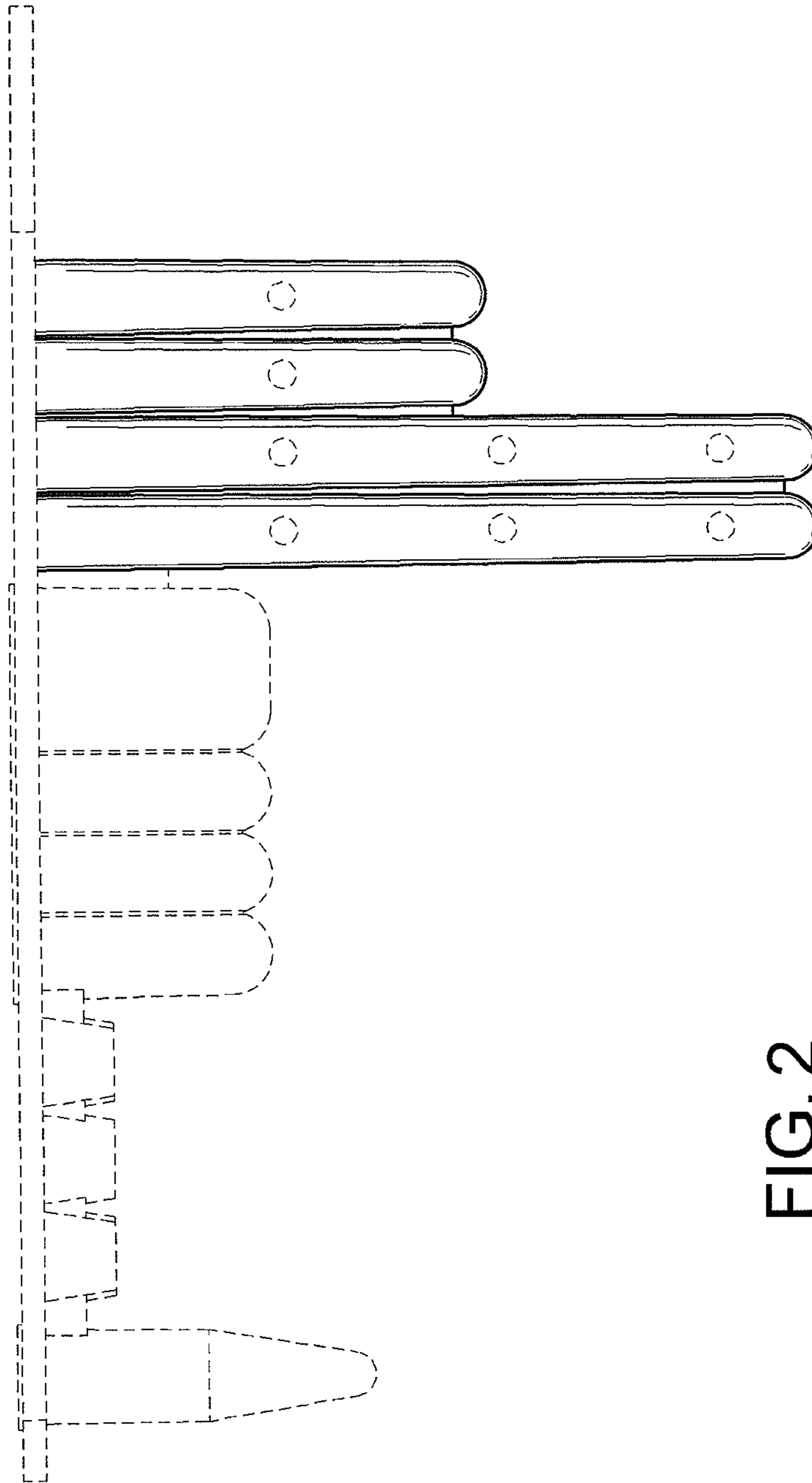


FIG. 2

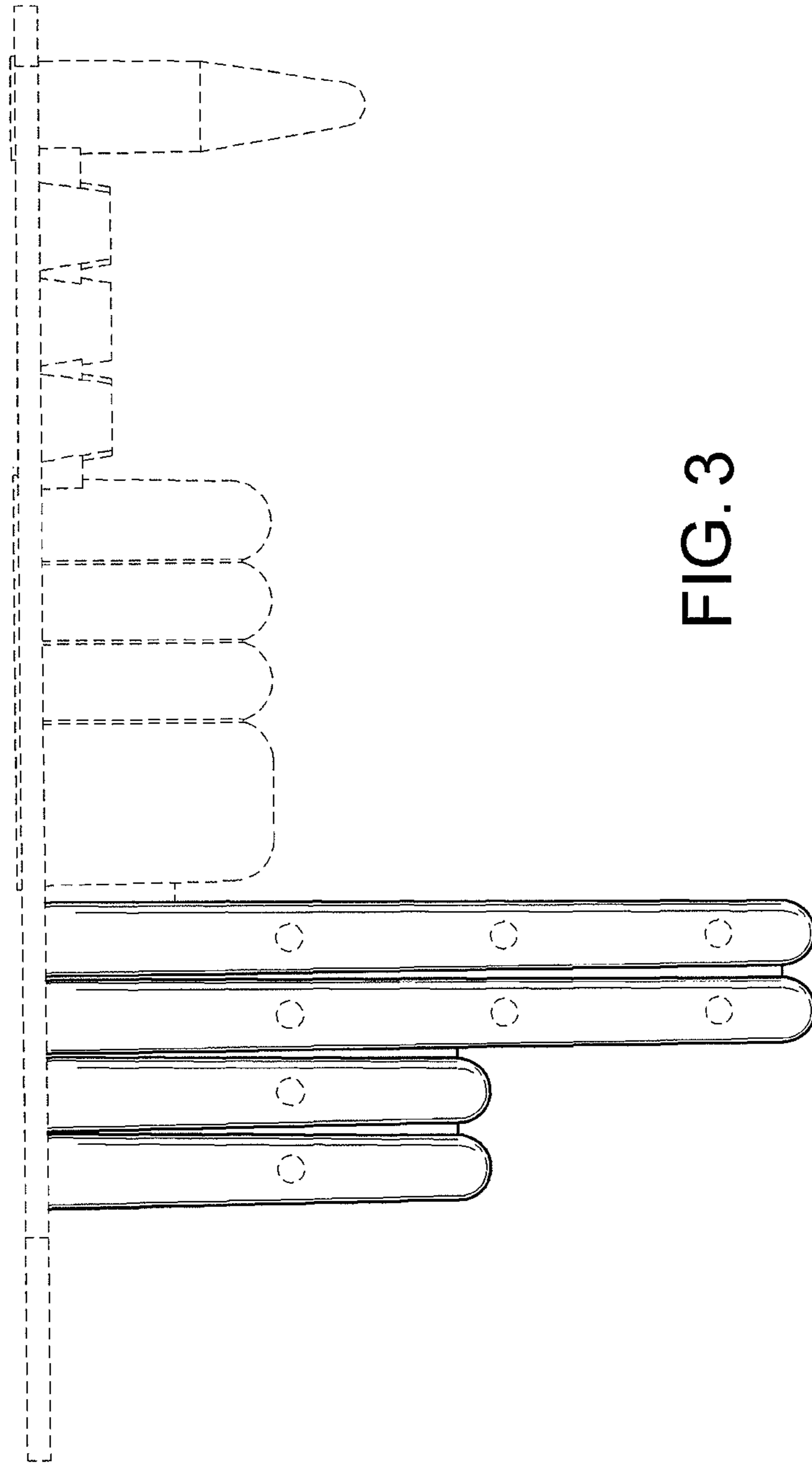


FIG. 3

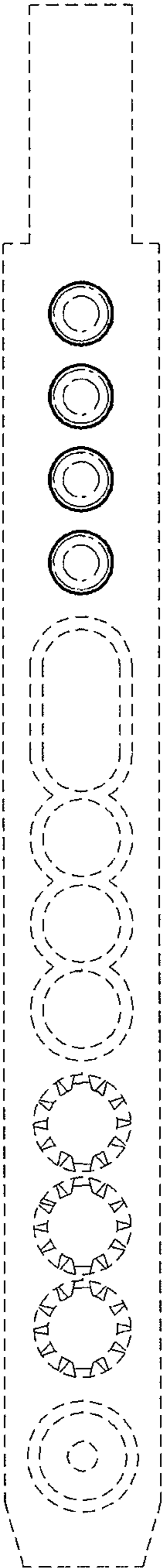


FIG. 4

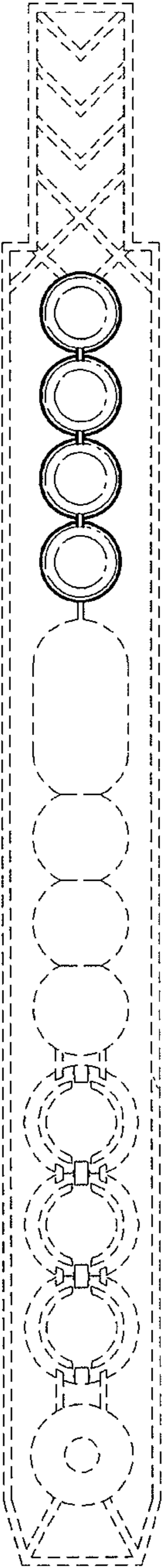


FIG. 5

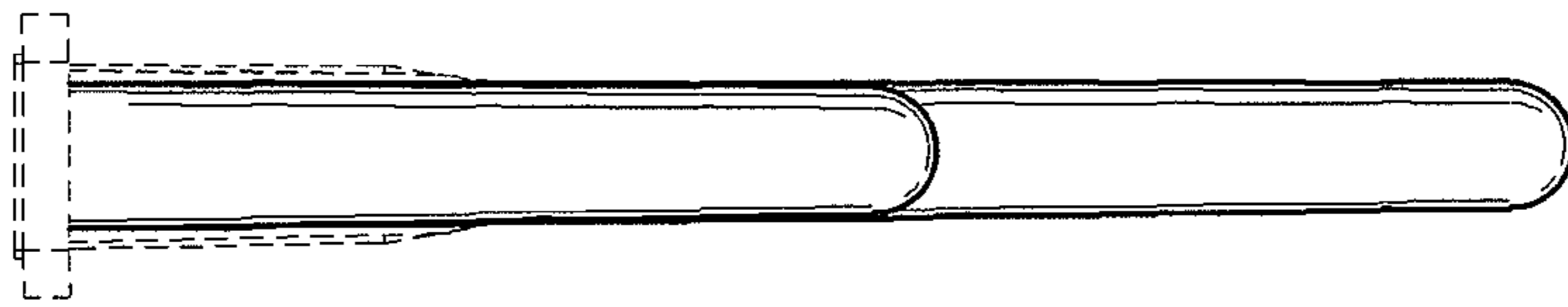


FIG. 7

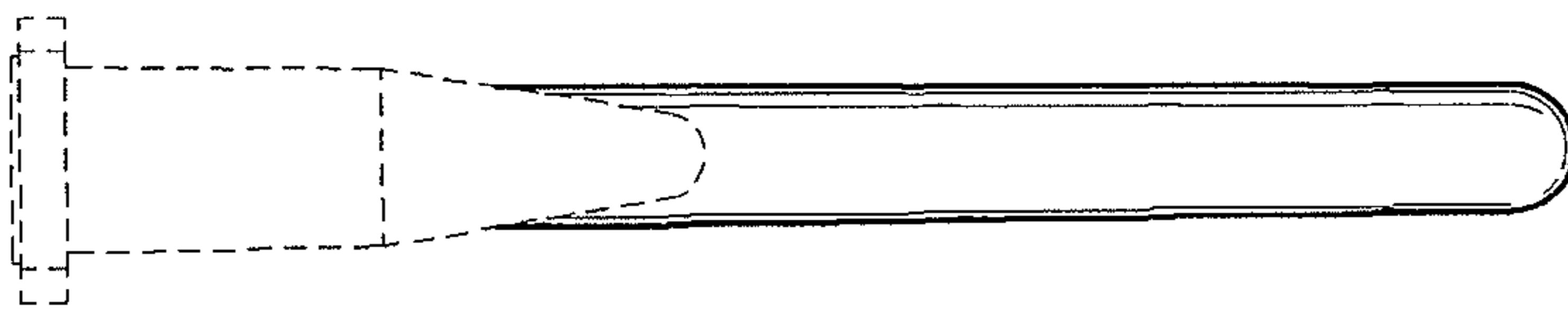


FIG. 6

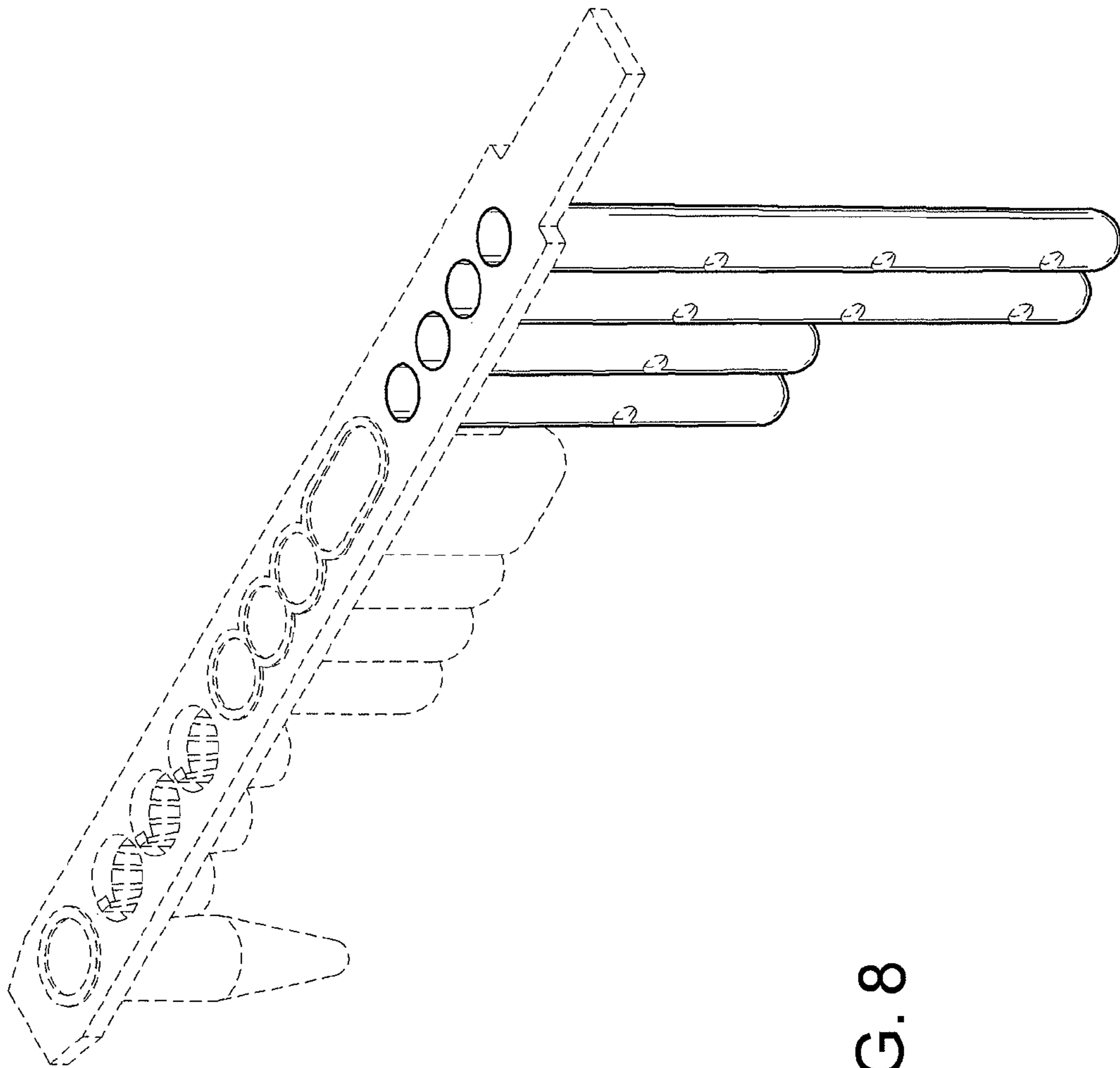


FIG. 8

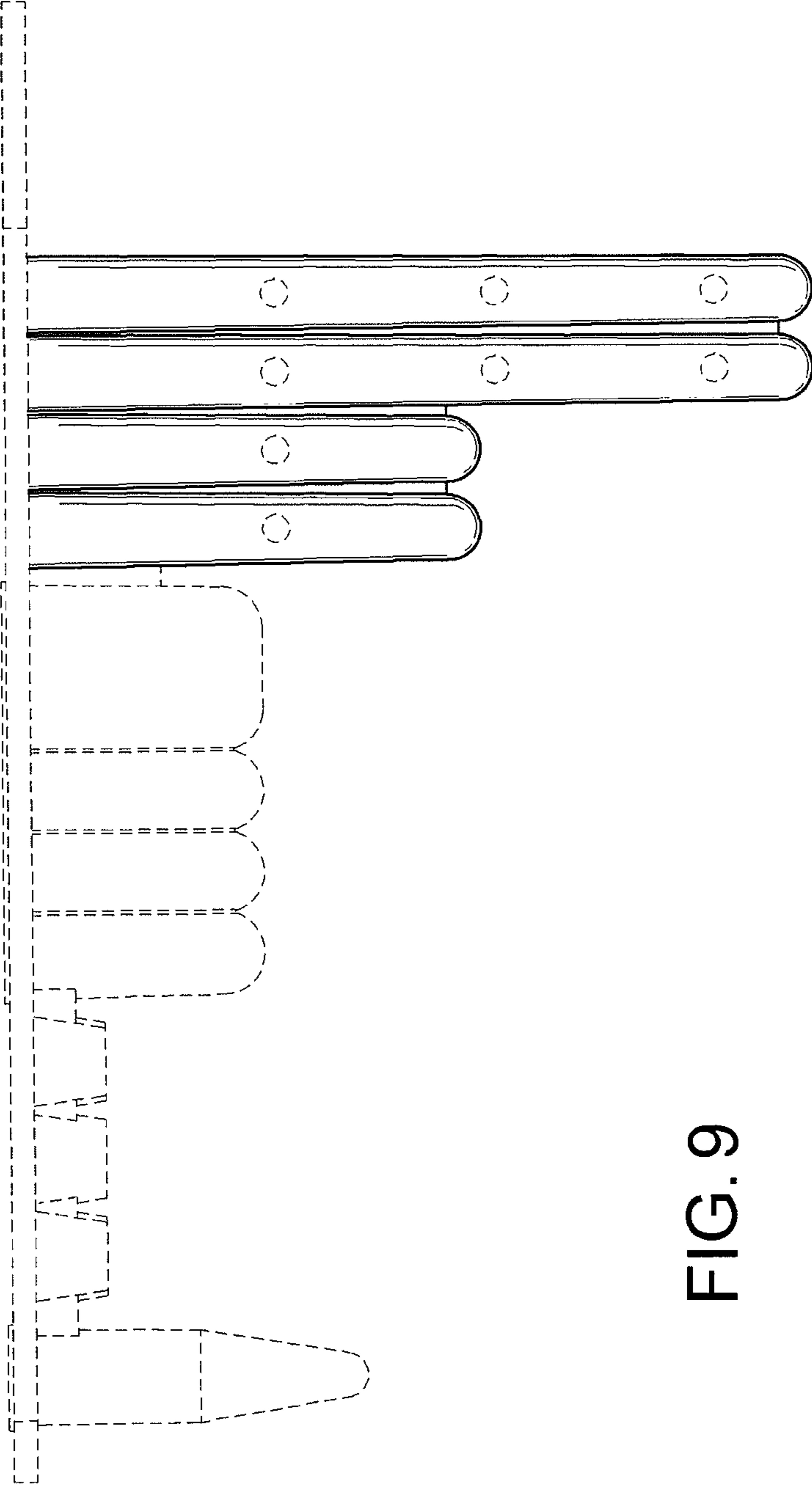


FIG. 9



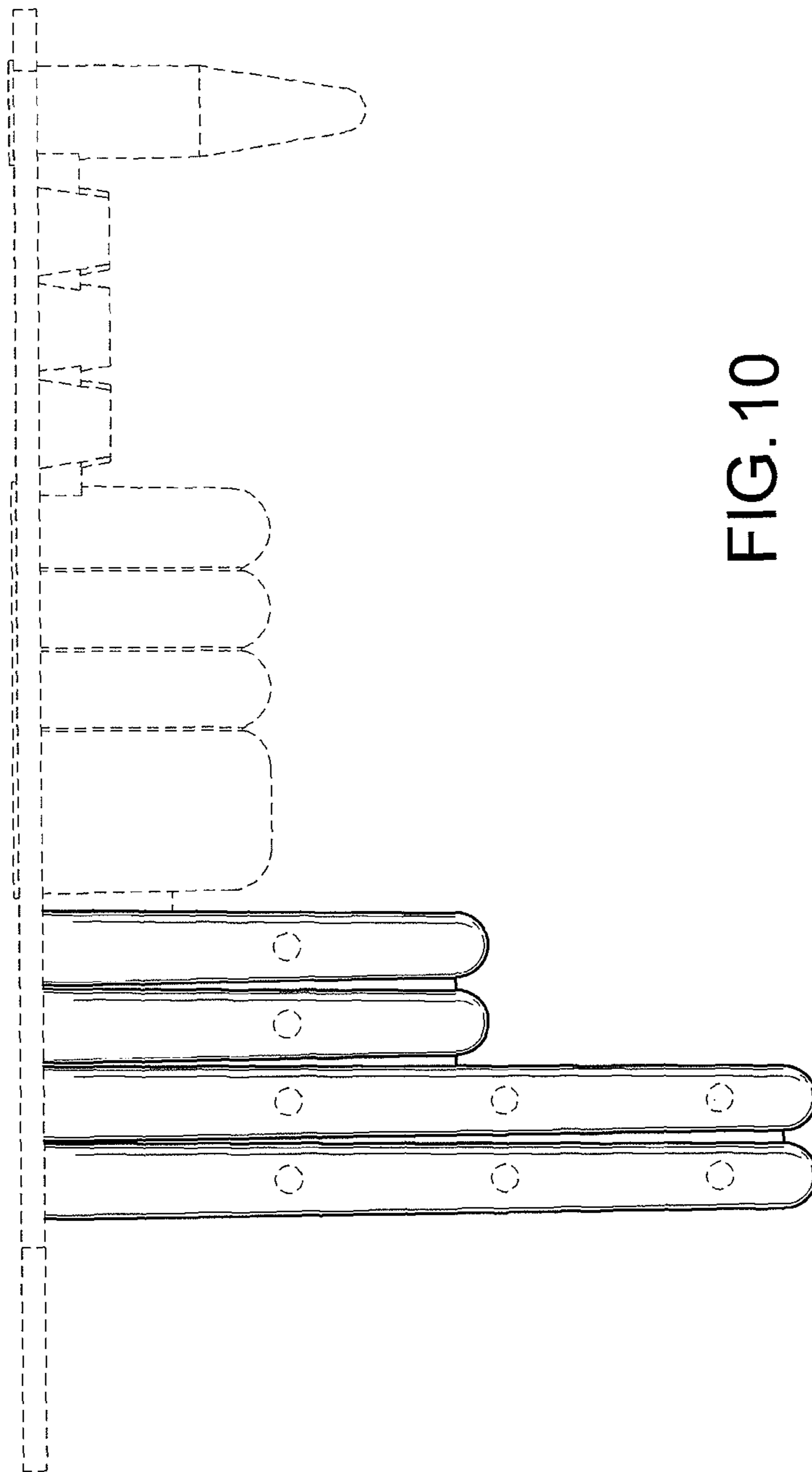


FIG. 10

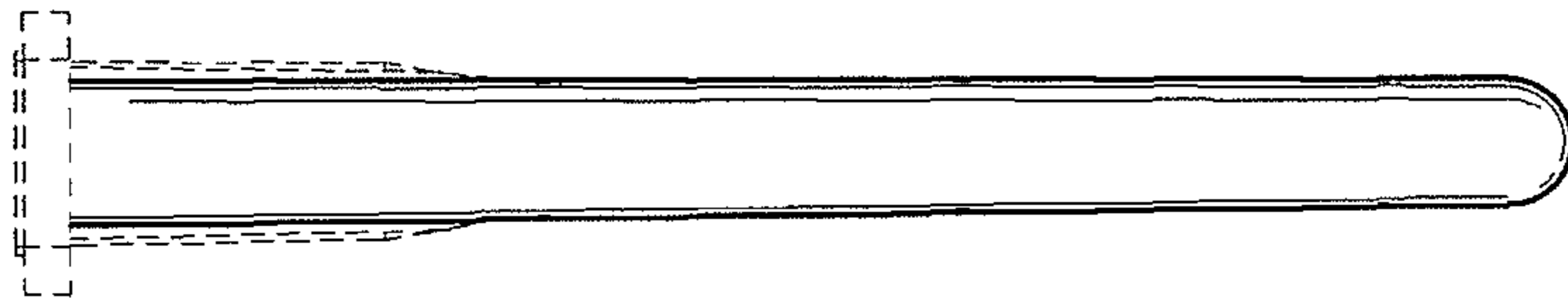


FIG. 12

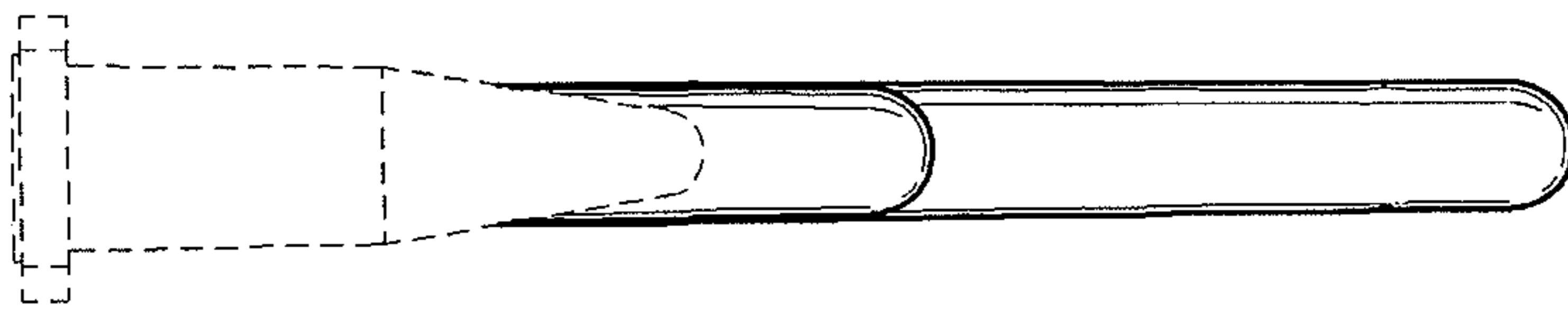


FIG. 11