



US00D742023S

(12) **United States Design Patent**
Le

(10) **Patent No.:** **US D742,023 S**
(45) **Date of Patent:** **** Oct. 27, 2015**

- (54) **PEDICURE SPA**
- (71) Applicant: **Vinh Chi Le**, Tampa, FL (US)
- (72) Inventor: **Vinh Chi Le**, Tampa, FL (US)
- (**) Term: **14 Years**
- (21) Appl. No.: **29/511,961**
- (22) Filed: **Dec. 16, 2014**

Related U.S. Application Data

- (63) Continuation-in-part of application No. 29/443,635, filed on Jan. 19, 2013, now abandoned.
- (51) **LOC (10) Cl.** **23-02**
- (52) **U.S. Cl.**
USPC **D24/204; D6/338**
- (58) **Field of Classification Search**
USPC D6/335, 336, 338, 716.2, 716.3, 334,
D6/367, 709, 710, 716.1, 716.4;
297/452.1, DIG. 7; 5/12.1, 12.2;
D24/201, 204; D28/56, 61; 4/574.1,
4/622; 601/157, 158
CPC A47C 1/02; A47C 1/024; A47C 1/04;
A47C 1/06; A47C 7/18; A47C 7/24; A47C
17/00; A47C 17/02; A47C 17/175; A47K
3/02; A47K 3/022
See application file for complete search history.

(56) **References Cited**

U.S. PATENT DOCUMENTS

D457,018 S *	5/2002	Park	D6/708.18
6,503,212 B2 *	1/2003	Park	601/158
D560,310 S *	1/2008	Le	D28/56
D564,099 S *	3/2008	Ton	D24/204
D569,985 S *	5/2008	Ganapathy et al.	D24/192
D571,018 S *	6/2008	Ton et al.	D24/204
D588,707 S *	3/2009	Mai et al.	D24/213

D592,757 S *	5/2009	Le	D24/213
D600,815 S *	9/2009	Ton	D24/204
D608,898 S *	1/2010	Ton	D24/204
D616,560 S *	5/2010	Cong	D24/204
D616,561 S *	5/2010	Ton	D24/204
D618,815 S *	6/2010	Dang	D24/204
D635,785 S *	4/2011	Ton	D6/336
D635,786 S *	4/2011	Ton	D6/336
D640,387 S *	6/2011	Tran	D24/204
D641,485 S *	7/2011	Mai	D24/204
D670,354 S *	11/2012	Tran	D23/204
D701,318 S *	3/2014	Tran	D24/204
D707,836 S *	6/2014	Long	D24/204
D714,951 S *	10/2014	Ton et al.	D24/204
D722,777 S *	2/2015	Huynh	D6/338
2004/0060108 A1 *	4/2004	Hoon Park	4/622

* cited by examiner

Primary Examiner — Sandra Snapp

(74) *Attorney, Agent, or Firm* — John Alumit

(57) **CLAIM**

The ornamental design for a pedicure spa, as shown and described.

DESCRIPTION

FIG. 1 is a front perspective view of a pedicure spa according to the present invention.

FIG. 2 is a side elevation view of the pedicure spa according to the present invention, the opposite side being a mirror image, with the exception of the position of the faucet assembly and control features.

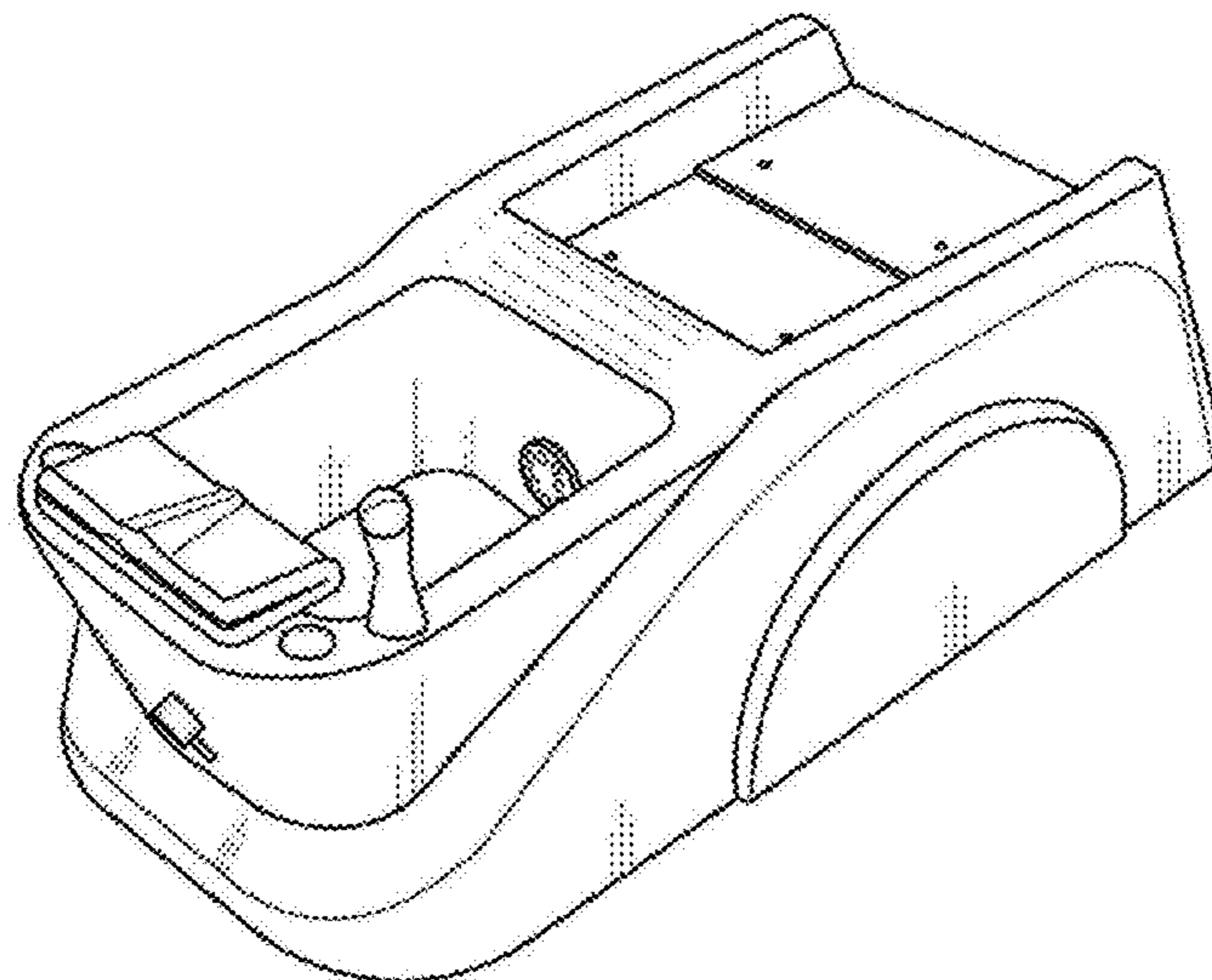
FIG. 3 is a front elevation view of the pedicure spa according to the present invention.

FIG. 4 is a back elevation view of the pedicure spa according to the present invention.

FIG. 5 is a top plan view of the pedicure spa according to the present invention; and,

FIG. 6 is a bottom plan view of the pedicure spa according to the present invention.

1 Claim, 6 Drawing Sheets



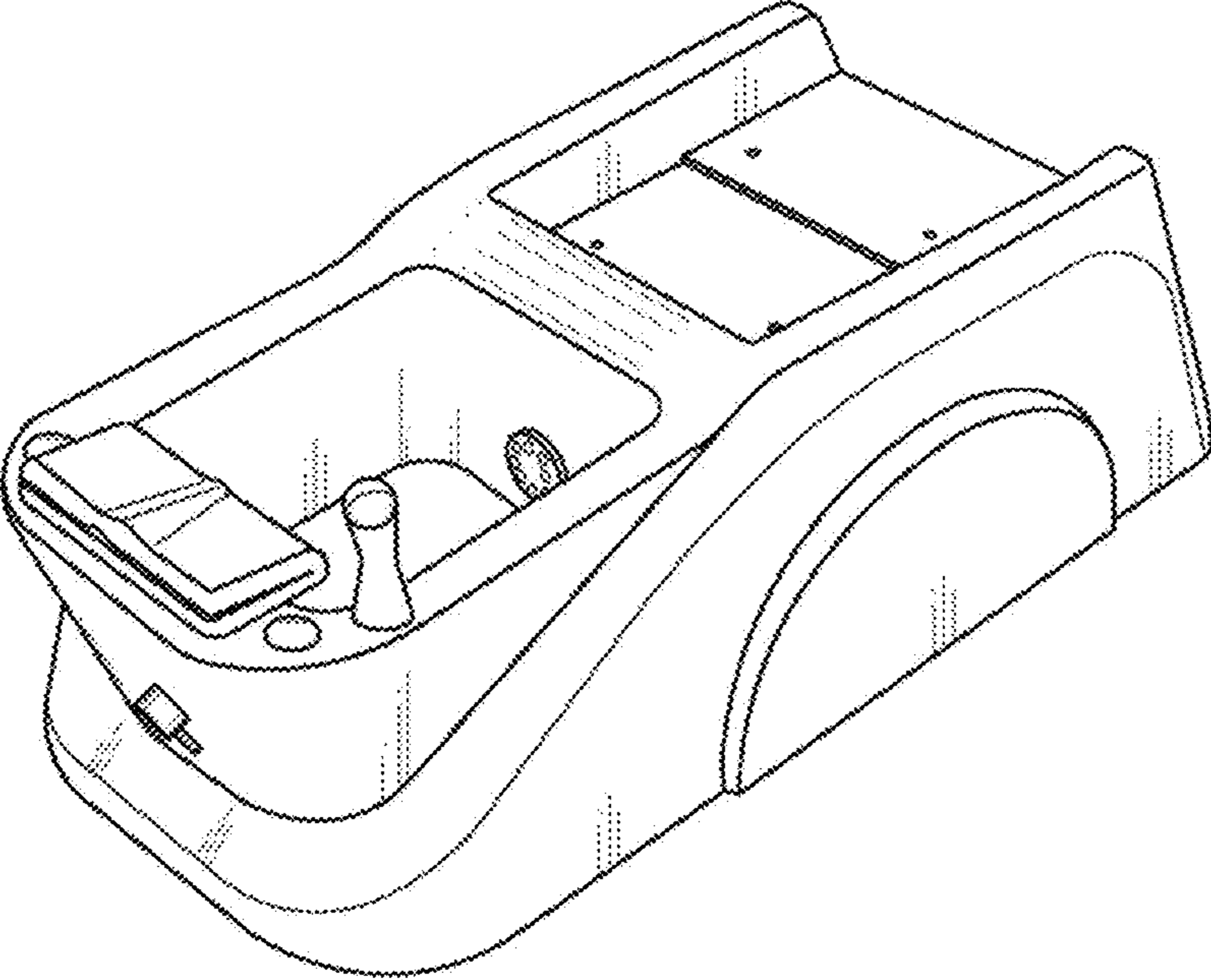


FIG. 1

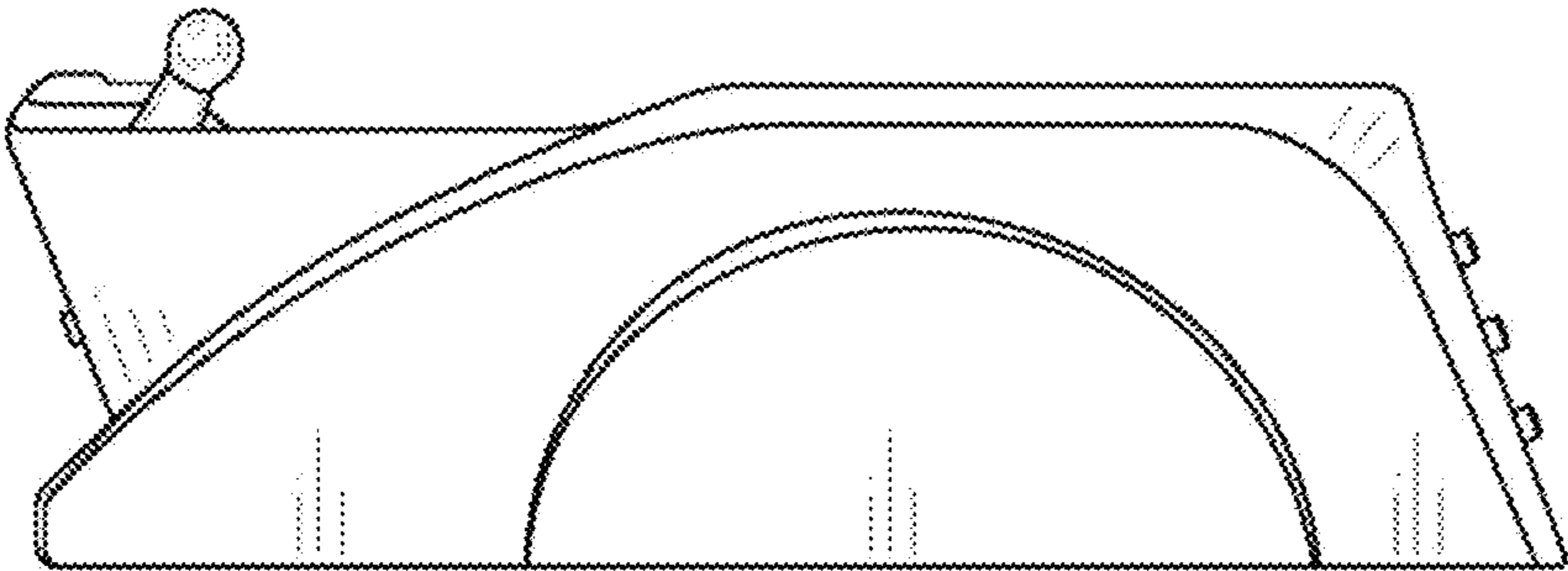


FIG. 2

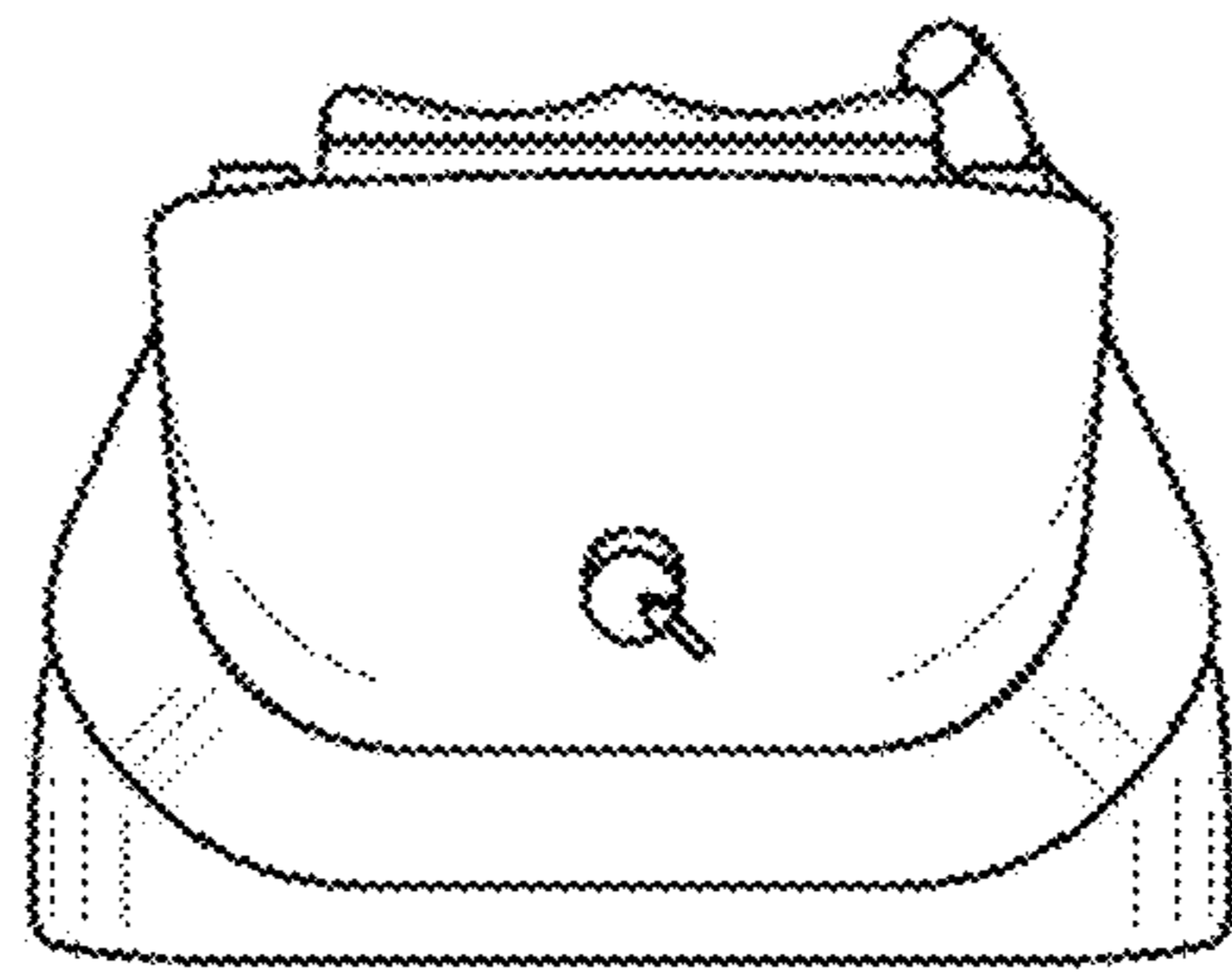


FIG. 3

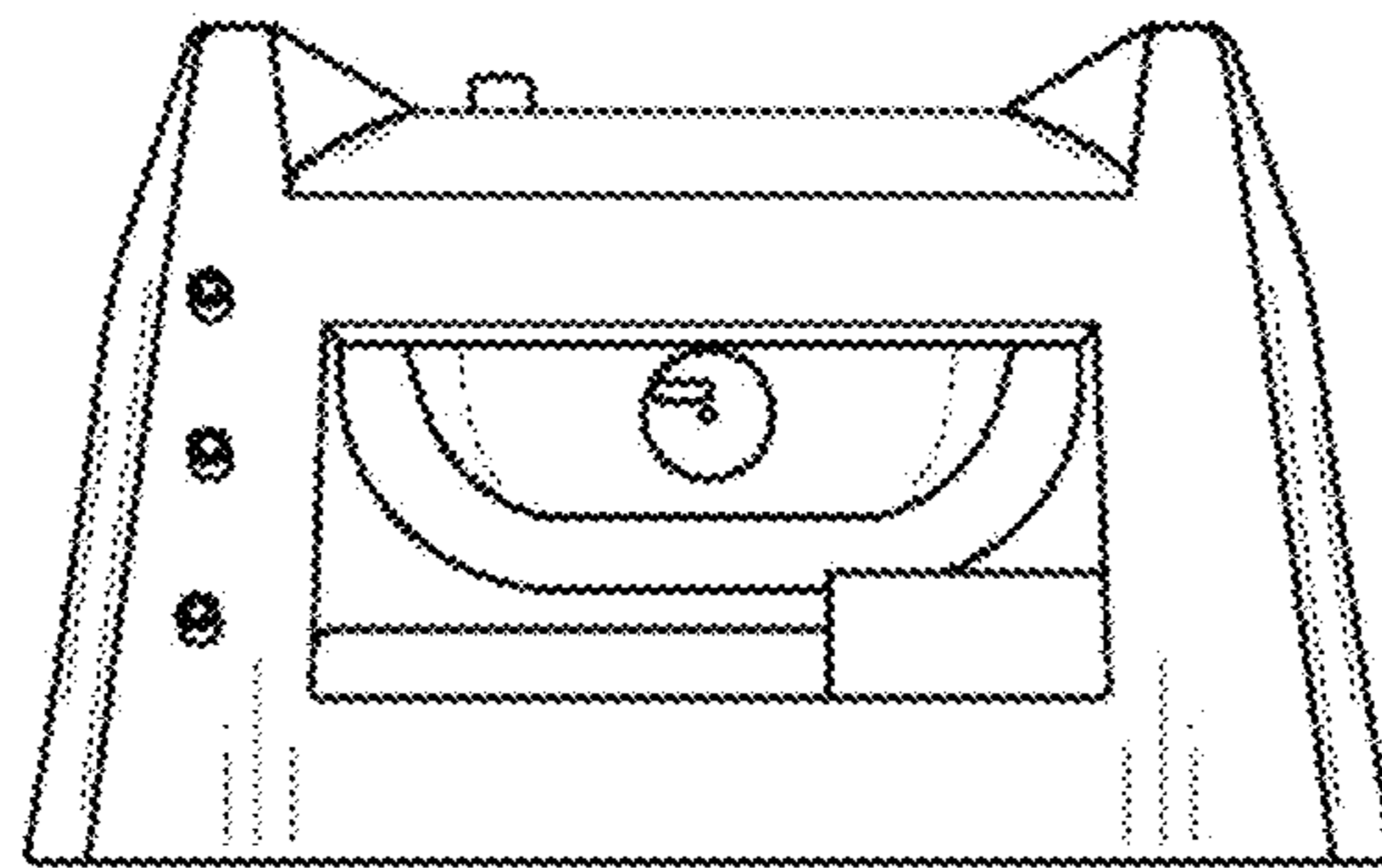


FIG. 4

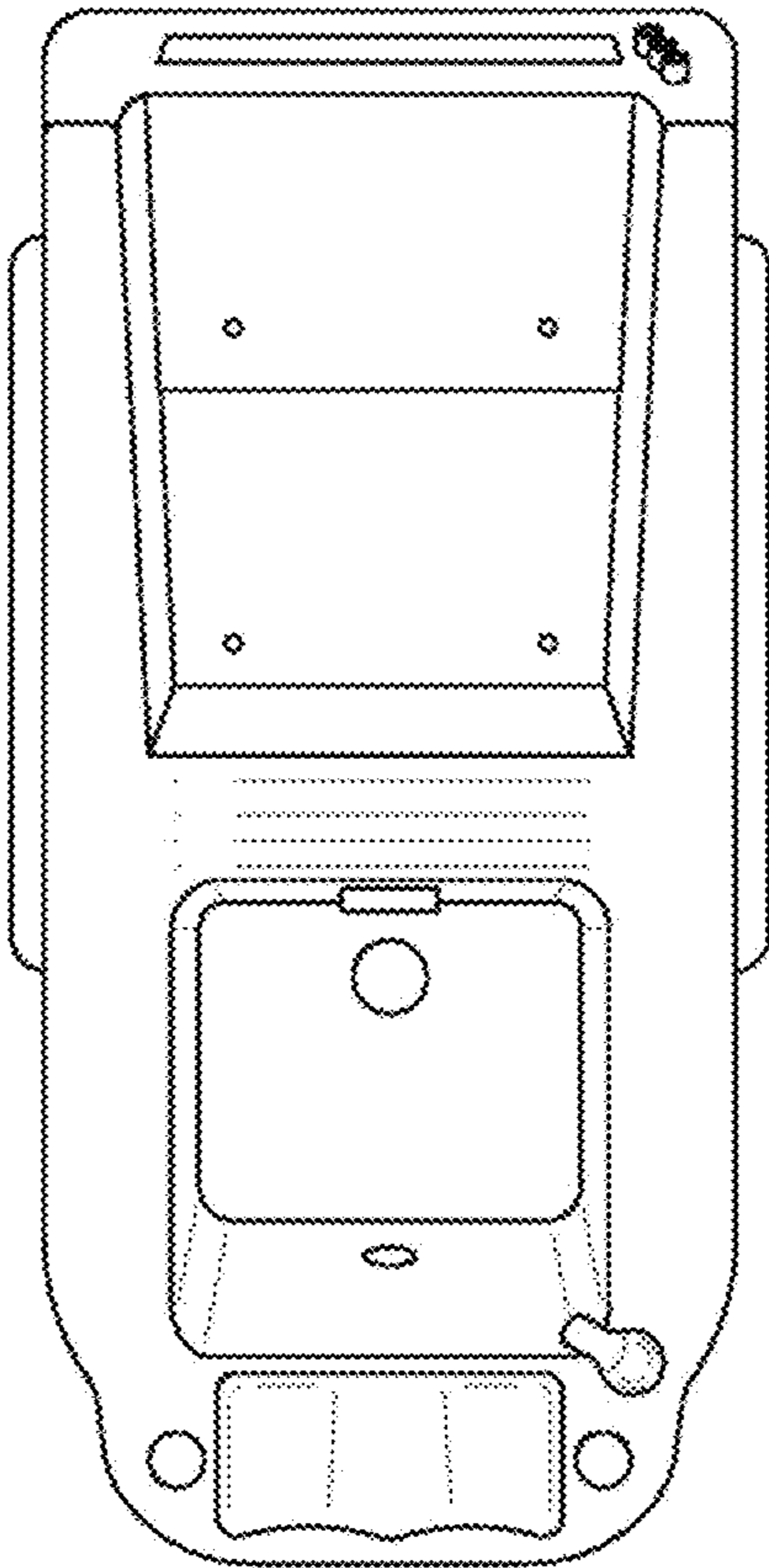


FIG. 5

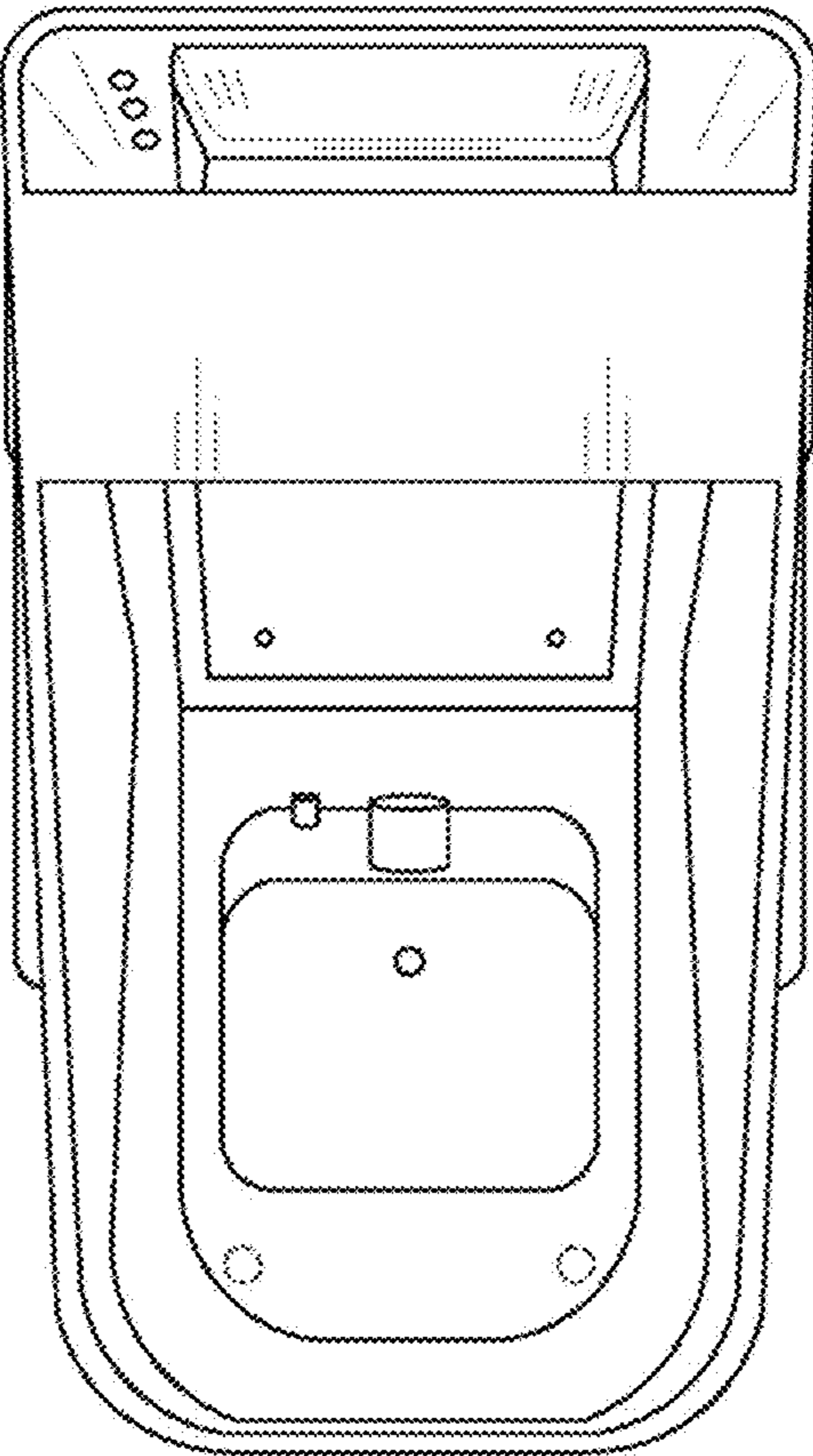


FIG. 6