



US00D742022S

(12) **United States Design Patent**  
**Le**

(10) **Patent No.:** **US D742,022 S**  
(45) **Date of Patent:** **\*\* Oct. 27, 2015**

- (54) **PEDICURE SPA**
- (71) Applicant: **Vinh Chi Le**, Tampa, FL (US)
- (72) Inventor: **Vinh Chi Le**, Tampa, FL (US)
- (\*\*) Term: **14 Years**
- (21) Appl. No.: **29/511,957**
- (22) Filed: **Dec. 16, 2014**

D592,757	S	*	5/2009	Le	.....	D24/213
D600,815	S	*	9/2009	Ton	.....	D24/204
D608,898	S	*	1/2010	Ton	.....	D24/204
D616,560	S	*	5/2010	Cong	.....	D24/204
D616,561	S	*	5/2010	Ton	.....	D24/204
D618,815	S	*	6/2010	Dang	.....	D24/204
D635,785	S	*	4/2011	Ton	.....	D6/336
D635,786	S	*	4/2011	Ton	.....	D6/336
D640,387	S	*	6/2011	Tran	.....	D24/204
D641,485	S	*	7/2011	Mai	.....	D24/204
D670,354	S	*	11/2012	Tran	.....	D23/204
D701,318	S	*	3/2014	Tran	.....	D24/204
D707,836	S	*	6/2014	Long	.....	D24/204
D714,951	S	*	10/2014	Ton et al.	.....	D24/204
D722,777	S	*	2/2015	Huynh	.....	D6/338
2004/0060108	A1	*	4/2004	Hoon Park	.....	4/622

**Related U.S. Application Data**

- (63) Continuation-in-part of application No. 29/443,631, filed on Jan. 19, 2013, now abandoned.
- (51) **LOC (10) Cl.** ..... **23-02**
- (52) **U.S. Cl.**  
USPC ..... **D24/204; D6/338**
- (58) **Field of Classification Search**  
USPC ..... D6/335, 336, 338, 716.2, 716.3, 334, D6/367, 709, 710, 716.1, 716.4; 297/452.1, DIG. 7; 5/12.1, 12.2; D24/201, 204; D28/56, 61; 4/574.1, 4/622; 601/157  
CPC ..... A47C 1/02; A47C 1/024; A47C 1/04; A47C 1/06; A47C 7/18; A47C 7/24; A47C 17/00; A47C 17/02; A47C 17/175; A47K 3/02; A47K 3/022  
See application file for complete search history.

\* cited by examiner

*Primary Examiner* — Sandra Snapp  
(74) *Attorney, Agent, or Firm* — John Alumit

(57) **CLAIM**

The ornamental design for a pedicure spa, as shown and described.

**DESCRIPTION**

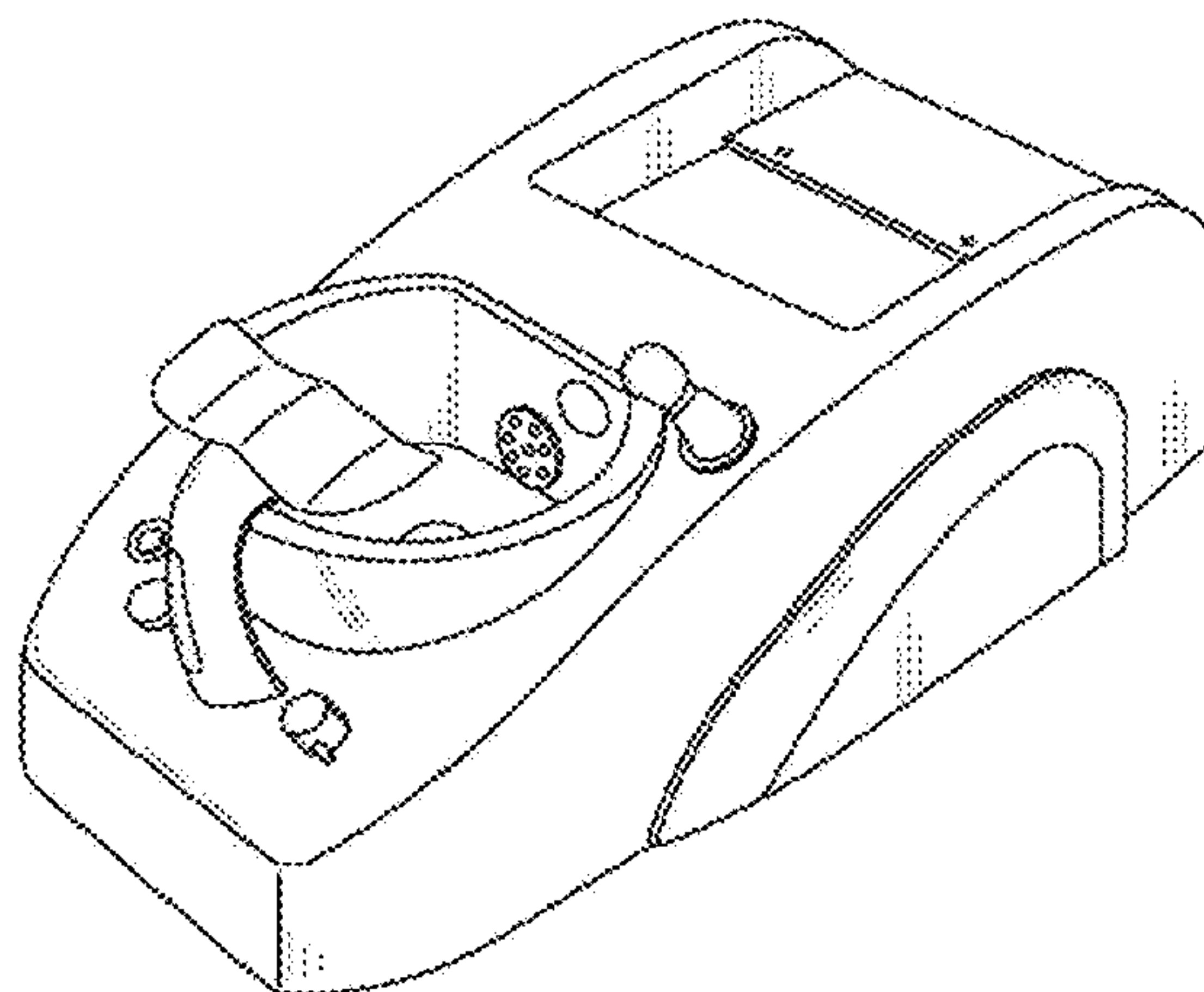
FIG. 1 is a front perspective view of a pedicure spa according to the present invention.  
 FIG. 2 is a front elevation view of the pedicure spa according to the present invention.  
 FIG. 3 is a back elevation view of the pedicure spa according to the present invention.  
 FIG. 4 is a side elevation view of the pedicure spa according to the present invention, the opposite side being a mirror image, with the exception of the position of the faucet assembly and control features.  
 FIG. 5 is a top plan view of the pedicure spa according to the present invention; and,  
 FIG. 6 is a bottom plan view of the pedicure spa according to the present invention.

(56) **References Cited**

**U.S. PATENT DOCUMENTS**

D457,018	S	*	5/2002	Park	.....	D6/708.18
6,503,212	B2	*	1/2003	Park	.....	601/158
D560,310	S	*	1/2008	Le	.....	D28/56
D564,099	S	*	3/2008	Ton	.....	D24/204
D569,985	S	*	5/2008	Ganapathy et al.	.....	D24/192
D571,018	S	*	6/2008	Ton et al.	.....	D24/204
D588,707	S	*	3/2009	Mai et al.	.....	D24/213

**1 Claim, 6 Drawing Sheets**



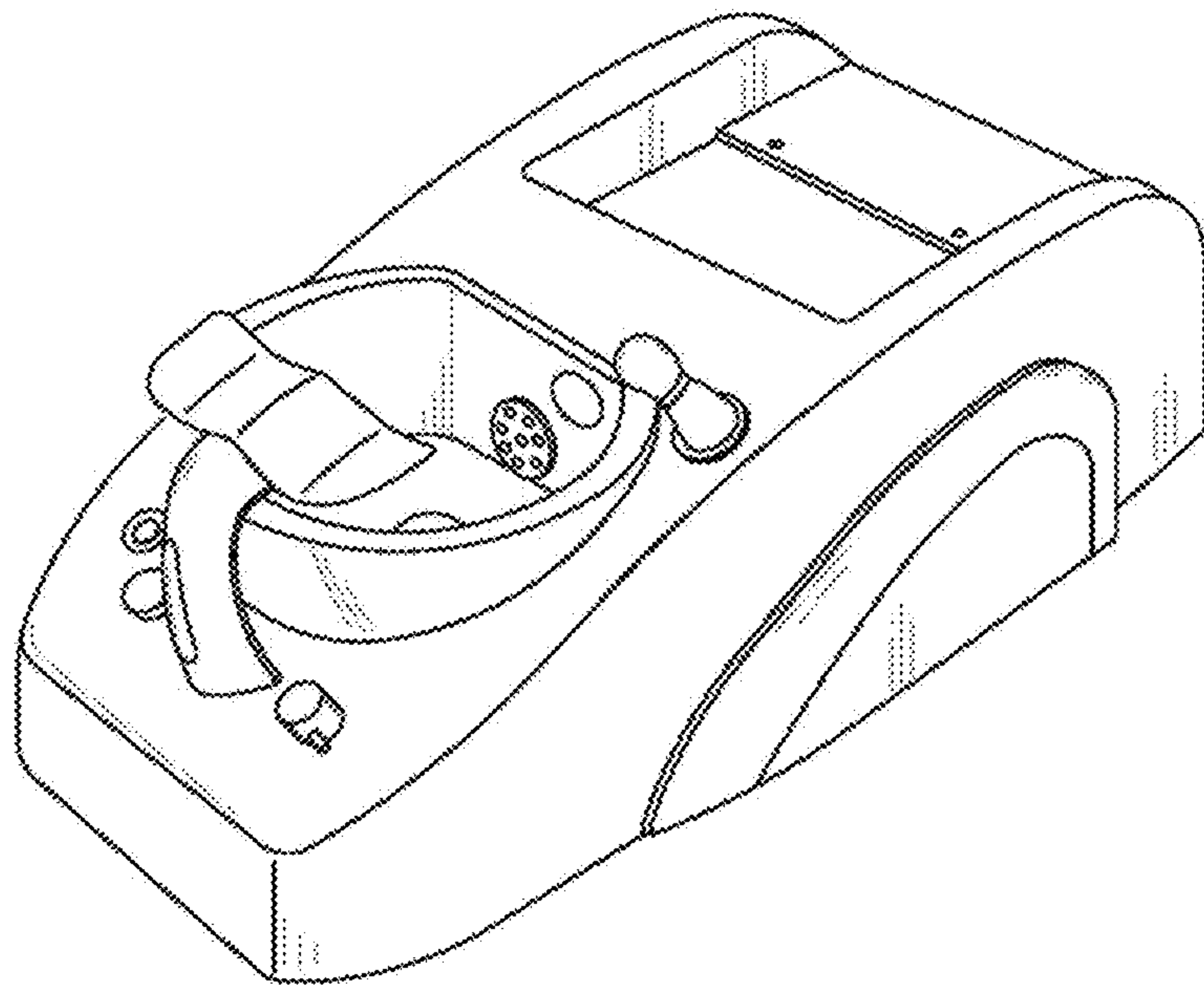


FIG. 1

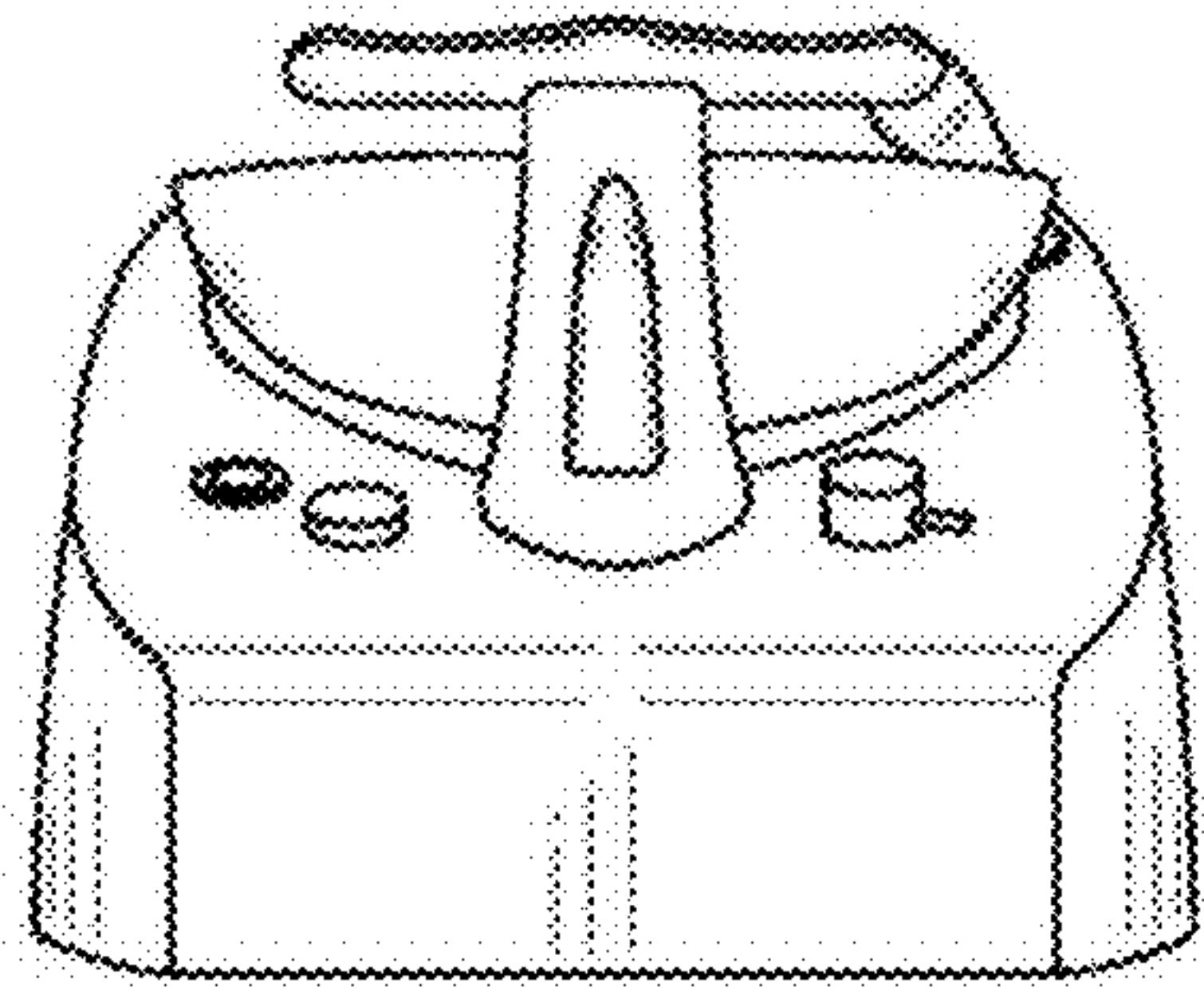


FIG. 2

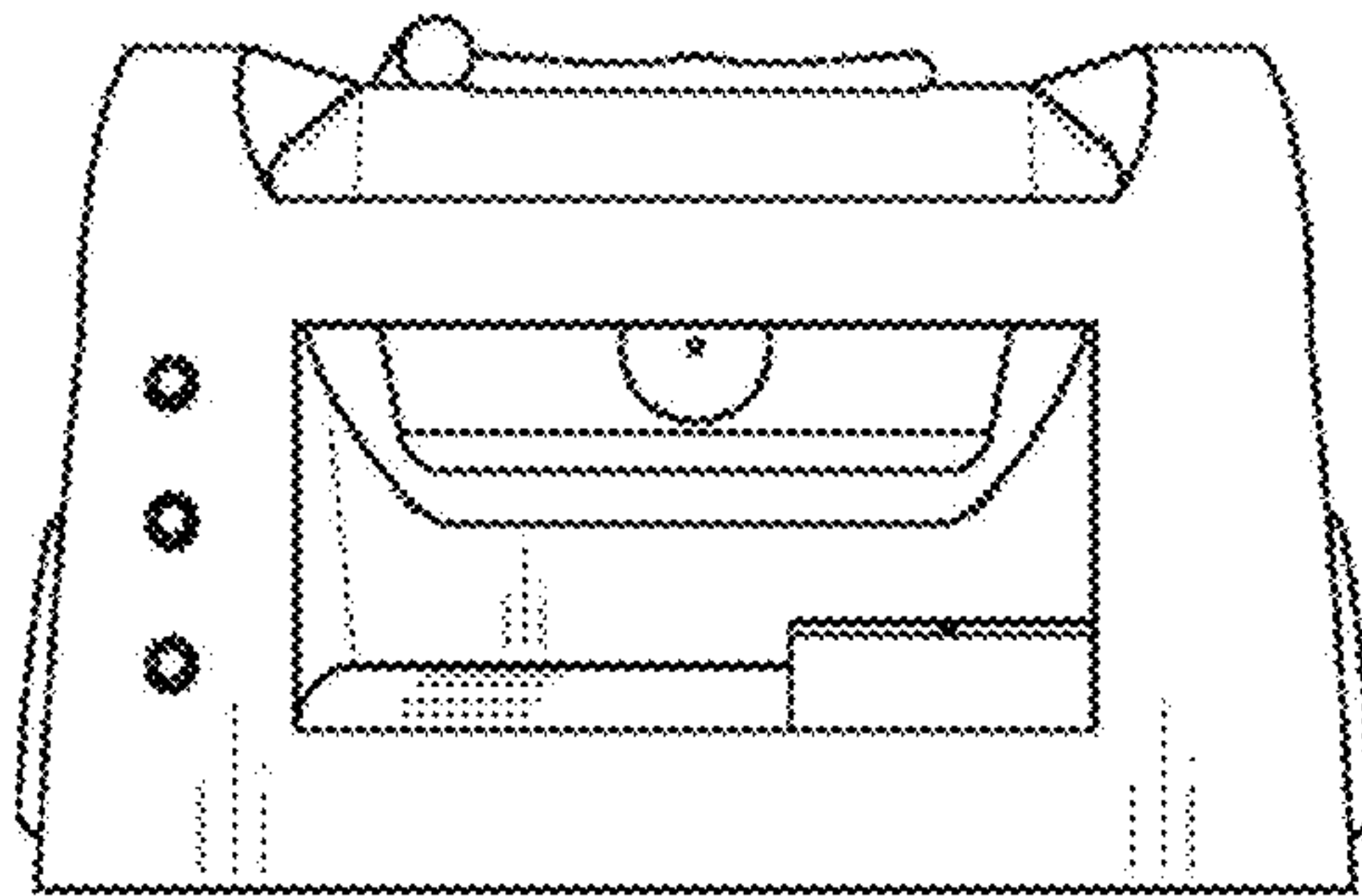


FIG. 3

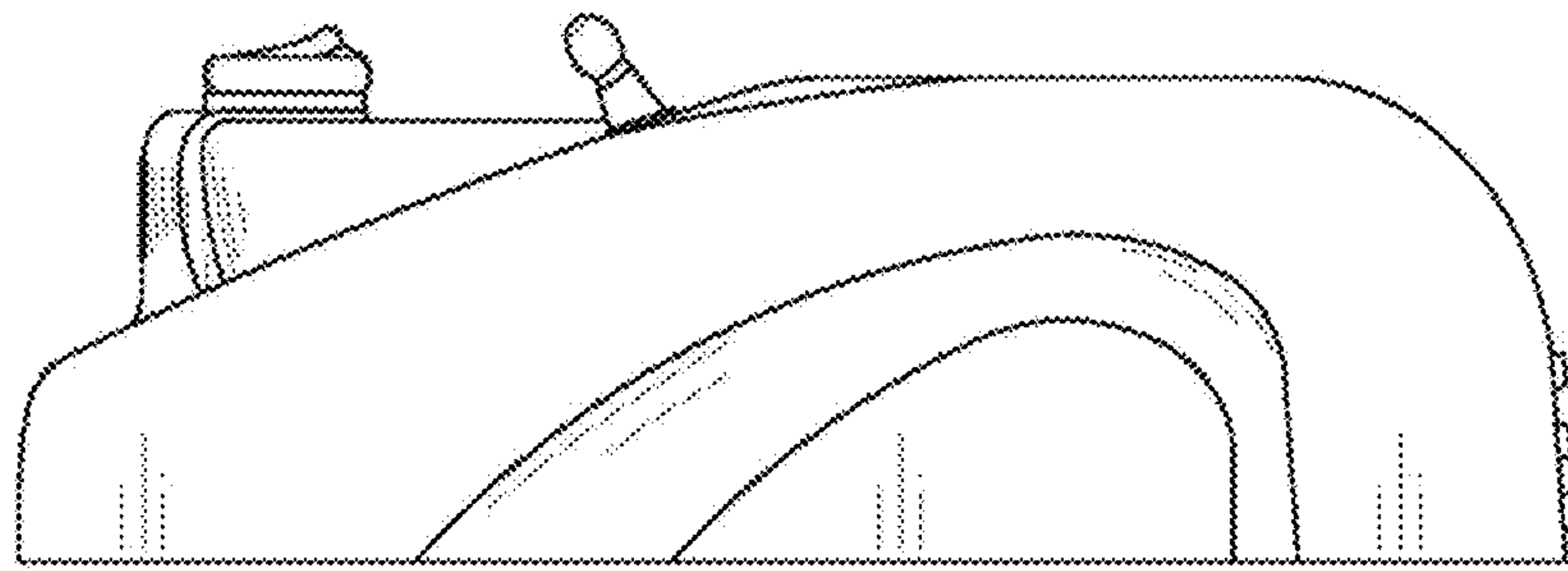


FIG. 4

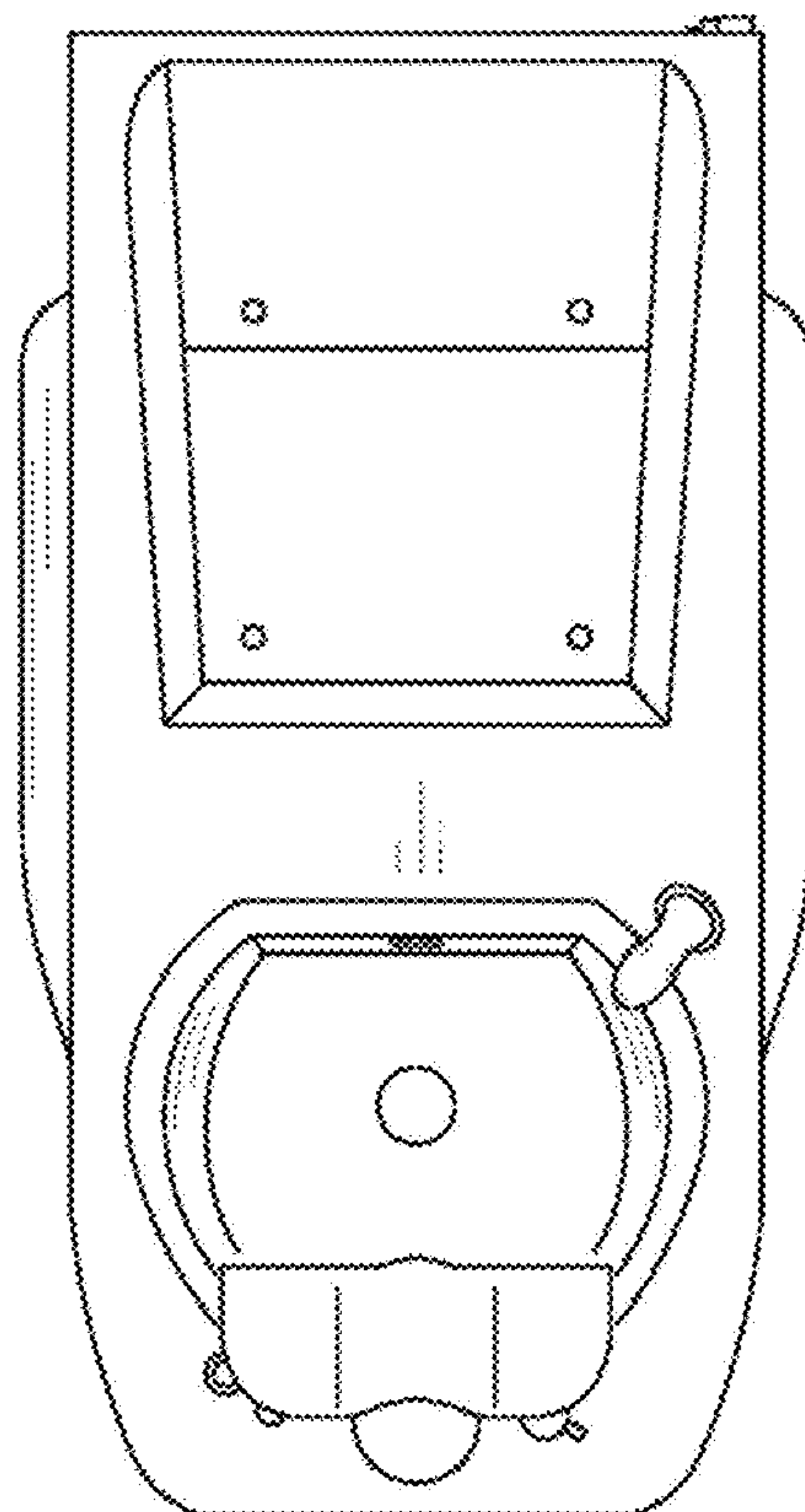


FIG. 5



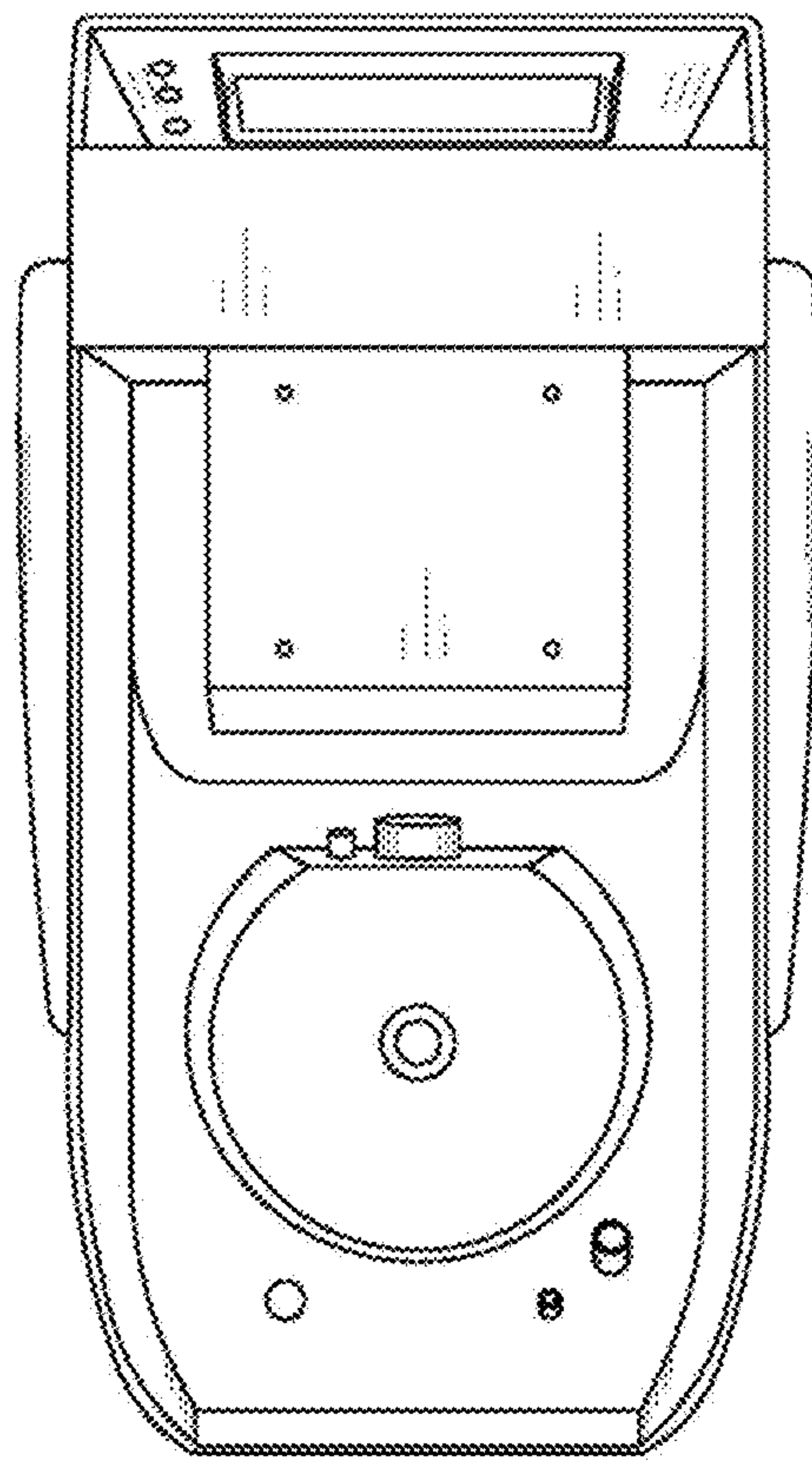


FIG. 6