



US00D742020S

(12) **United States Design Patent**  
**Russold et al.**

(10) **Patent No.:** **US D742,020 S**  
(45) **Date of Patent:** **\*\* Oct. 27, 2015**

(54) **CUFFS WITH STIMULATORS**

(71) Applicant: **OTTO BOCK HEALTHCARE PRODUCTS GMBH**, Vienna (AT)

(72) Inventors: **Michael Russold**, Vienna (AT); **Julian Rumpler**, Wiener Neustadt (AT); **Bernhard Van Mazijk**, Riederberg (DE)

(73) Assignee: **OTTO BOCK HEALTHCARE PRODUCTS GMBH**, Vienna (AT)

(\*\*) Term: **14 Years**

(21) Appl. No.: **29/477,177**

(22) Filed: **Dec. 19, 2013**

(30) **Foreign Application Priority Data**

Jun. 26, 2013 (WO) ..... DM/081 394

(51) **LOC (10) Cl.** ..... **24-01**

(52) **U.S. Cl.**  
USPC ..... **D24/200**

(58) **Field of Classification Search**  
USPC ..... D24/164, 165, 171, 186–189, 190–192,  
D24/199, 200, 206, 215, 227, 229–231;  
600/15, 490, 499, 503; 602/2  
CPC ..... A61N 1/04; G06F 1/163  
See application file for complete search history.

(56) **References Cited**

U.S. PATENT DOCUMENTS

D345,799 S \* 4/1994 Lamond et al. .... D24/188  
D356,377 S \* 3/1995 Tsubota et al. .... D24/165  
D403,070 S \* 12/1998 Maeda et al. .... D24/165  
D426,637 S \* 6/2000 Ochi et al. .... D24/165  
D448,083 S \* 9/2001 Tuan ..... D24/188  
D453,043 S \* 1/2002 Hart et al. .... D24/206  
D496,103 S \* 9/2004 Hartwein ..... D24/165  
D607,571 S \* 1/2010 Pratt ..... D24/188

D690,815 S \* 10/2013 Uozumi et al. .... D24/165  
D712,052 S \* 8/2014 Thomas et al. .... D24/200  
D716,457 S \* 10/2014 Brefka et al. .... D24/186  
D719,658 S \* 12/2014 McDougall et al. .... D24/165

FOREIGN PATENT DOCUMENTS

DE 40205477-0001 9/2002  
DE 40207285-0001 11/2002

(Continued)

OTHER PUBLICATIONS

Physio Function, Functional Electrical Stimulation (FES). Jul. 4, 2014 [online], [site visited Feb. 9, 2015]. Available from Internet, <URL:http://www.physiofunction.co.uk/Products/Functional\_Electrical\_Stimulation.asp>.\*

(Continued)

*Primary Examiner* — Robert M Spear  
*Assistant Examiner* — Darcey E Heflin

(74) *Attorney, Agent, or Firm* — Holland & Hart

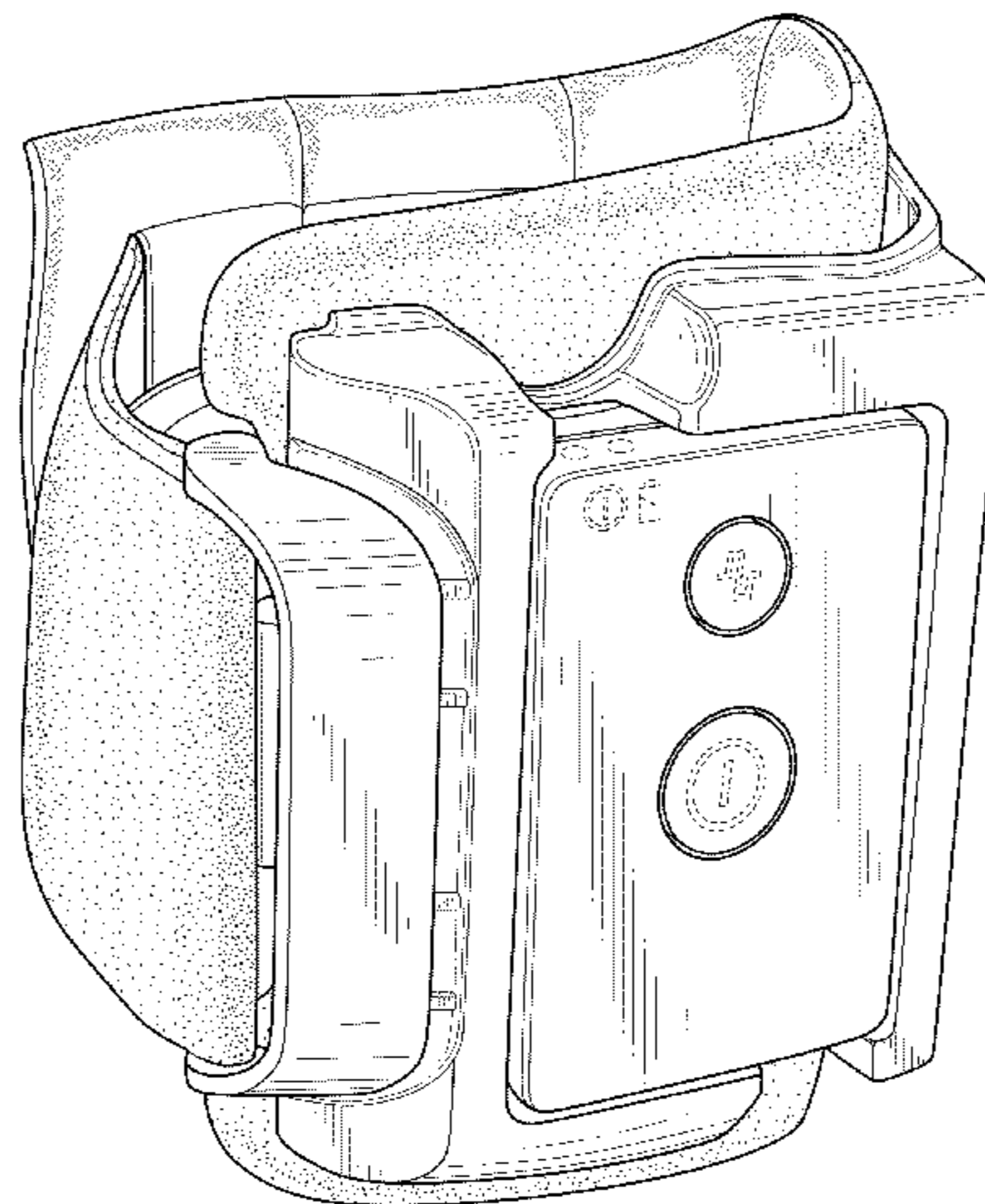
(57) **CLAIM**

The ornamental design for cuffs with stimulators, as shown and described.

**DESCRIPTION**

FIG. 1 is a perspective view of cuffs with stimulators according to the present invention;  
FIG. 2 is a front view thereof;  
FIG. 3 is a right side view thereof;  
FIG. 4 is a rear view thereof;  
FIG. 5 is a left side view thereof;  
FIG. 6 is a top view thereof; and,  
FIG. 7 is a bottom view thereof.  
The broken line showing is included for the purpose of illustrating environment and forms no part of the claimed design.

**1 Claim, 7 Drawing Sheets**



(56)

**References Cited**

**OTHER PUBLICATIONS**

FOREIGN PATENT DOCUMENTS

EM	000022728-0001	12/2003
EM	000022728-0002	12/2003
EM	000084835-0002	2/2004
EM	000143953-0002	5/2004
EM	000786199-0003	9/2007
EM	000786199-0004	9/2007
EM	001636986-0033	1/2010

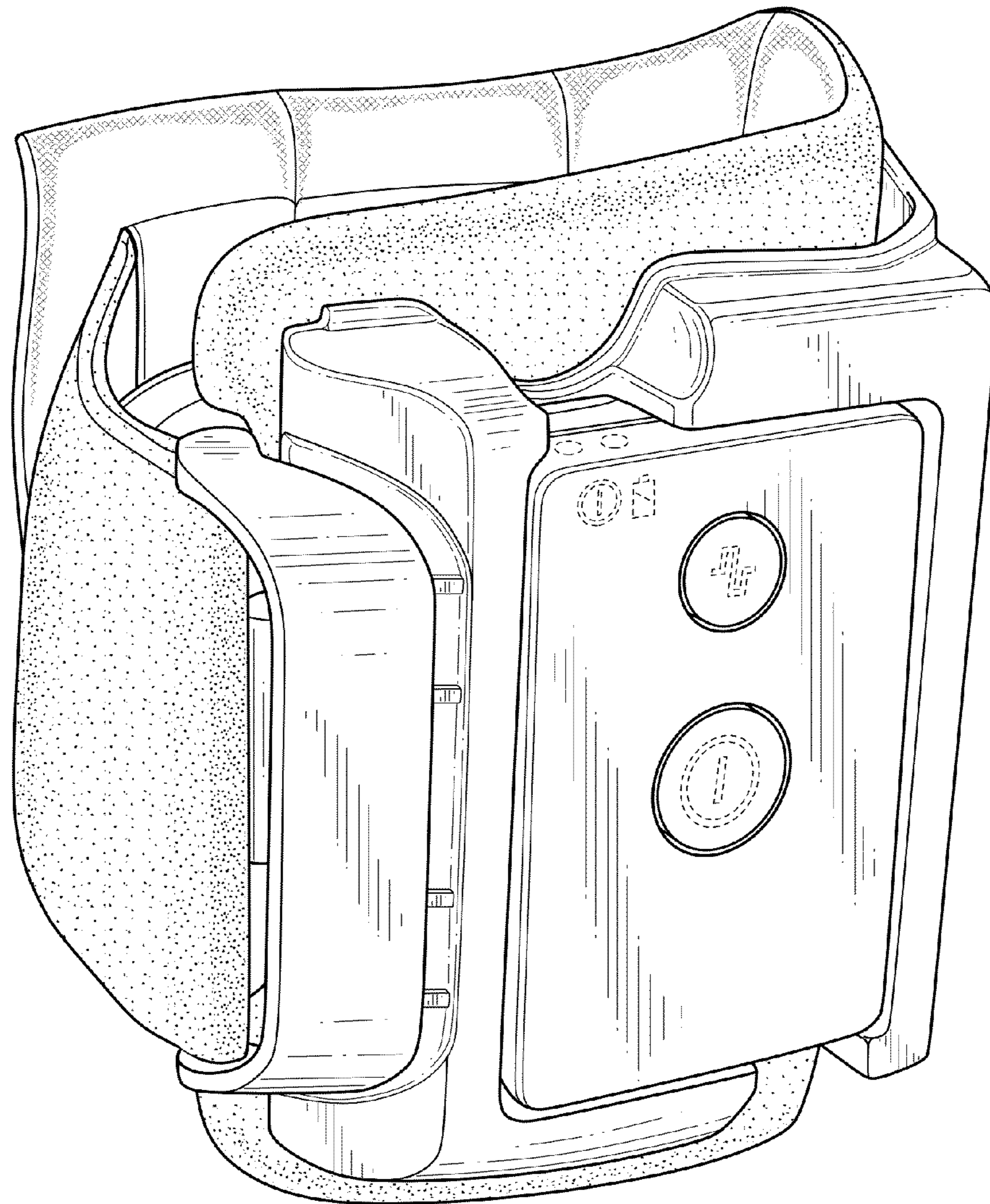
BioMedical Life-Systems Internet Excerpt, 2 pages (no date).

Bioness Internet Excerpt, 2 pages (no date).

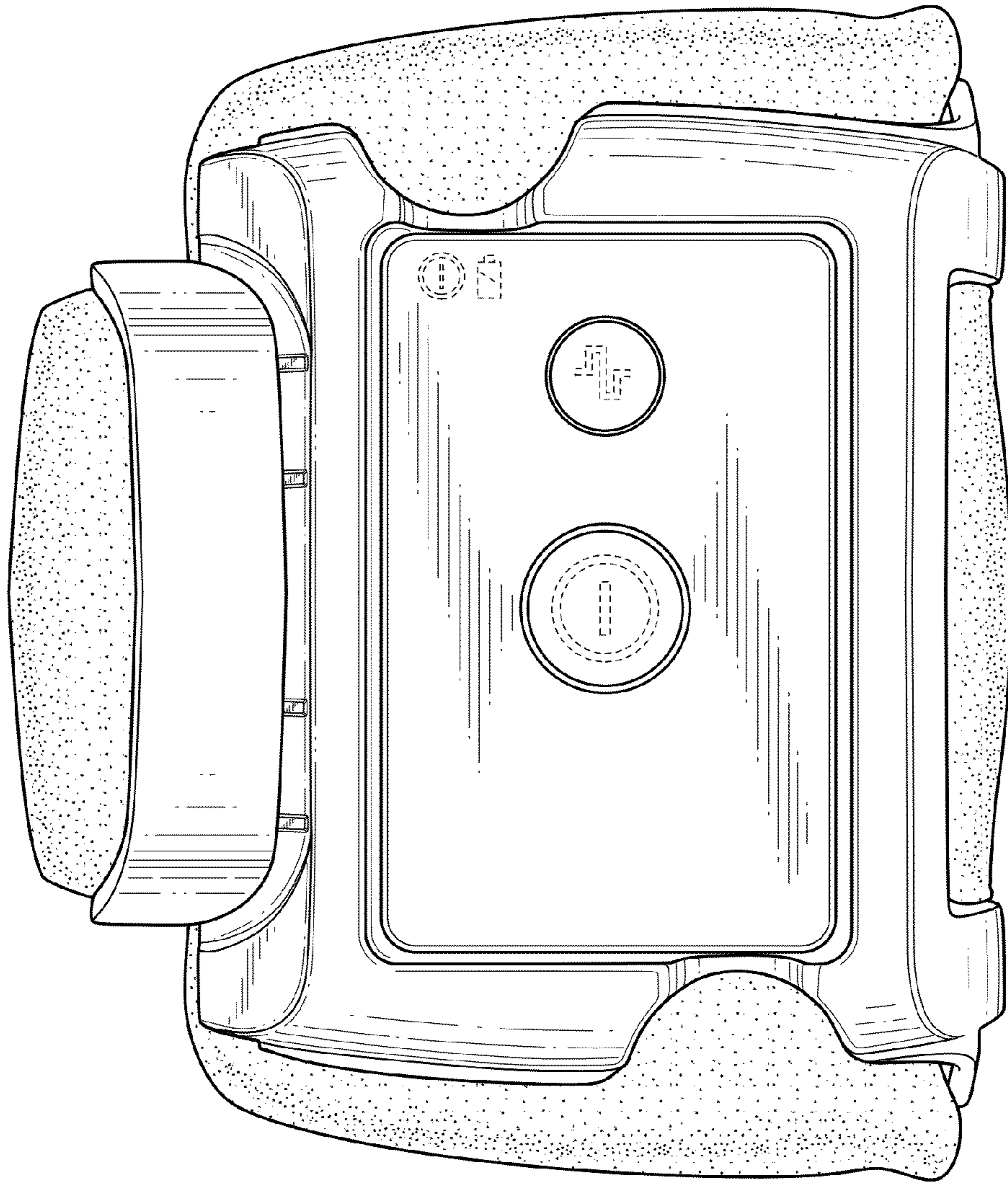
Odstock Medical Internet Excerpt, 2 pages (no date).

Bioness, Ness L300, User's Guide, 94 pages, Jan. 2013.

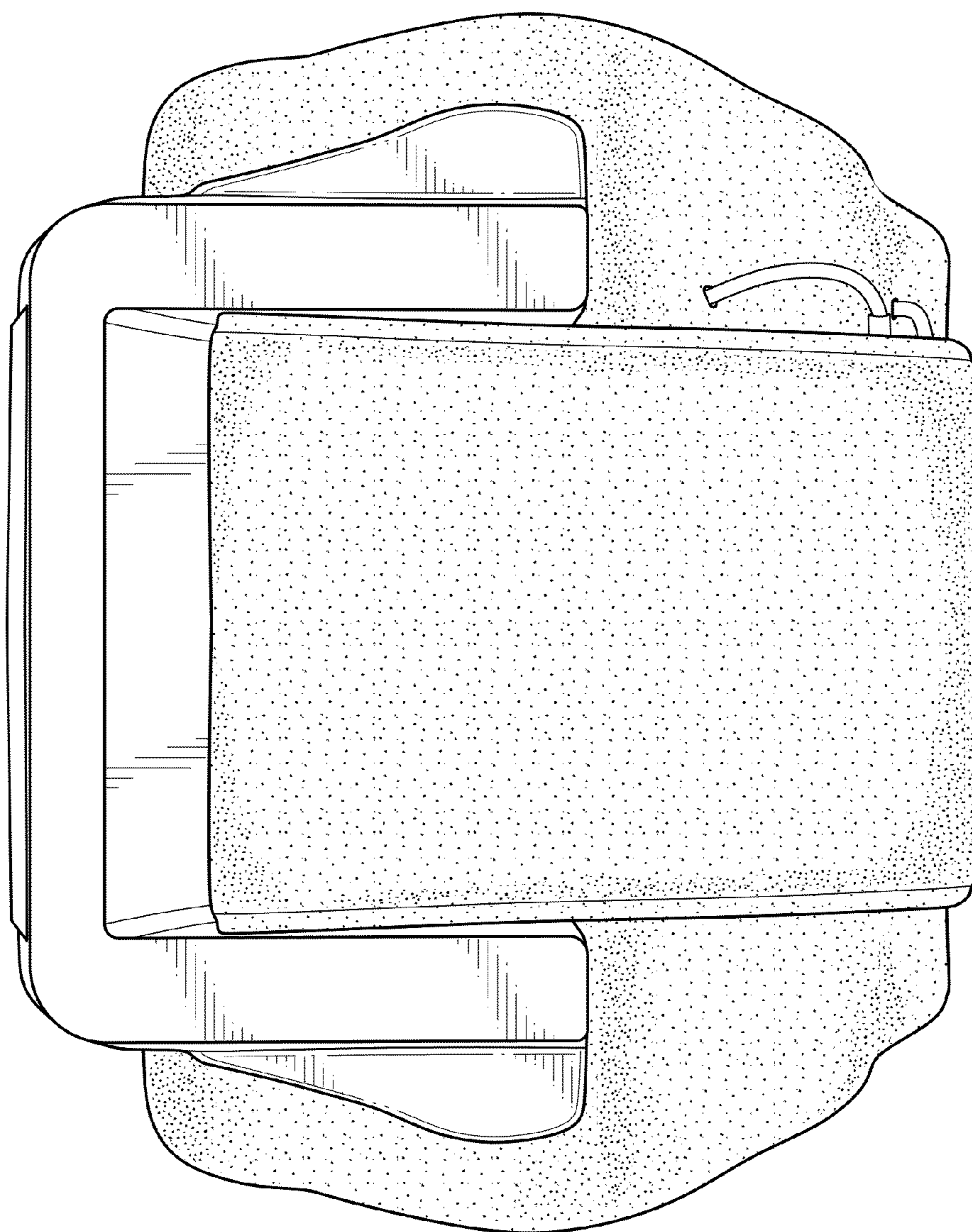
\* cited by examiner



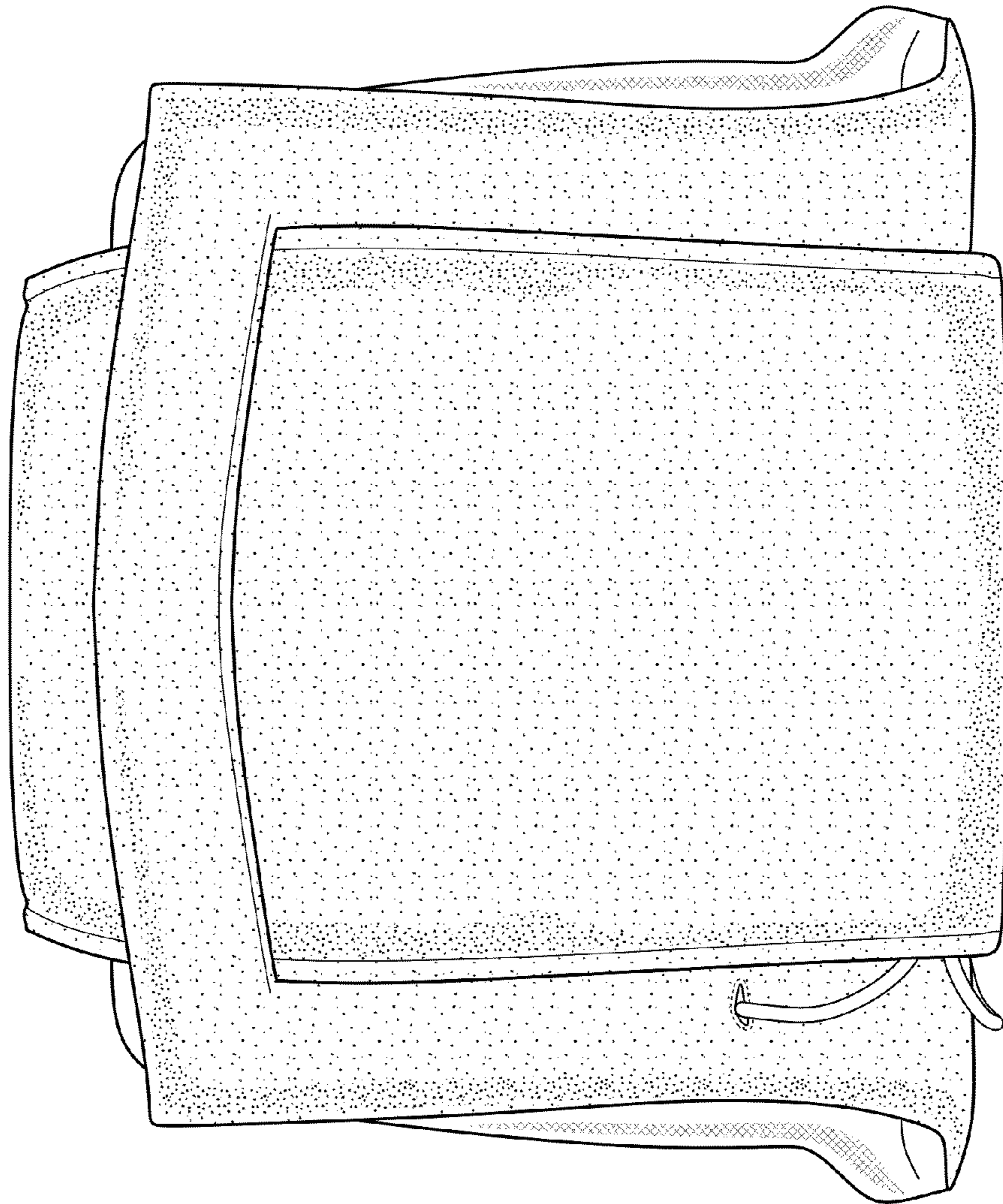
**FIG. 1**



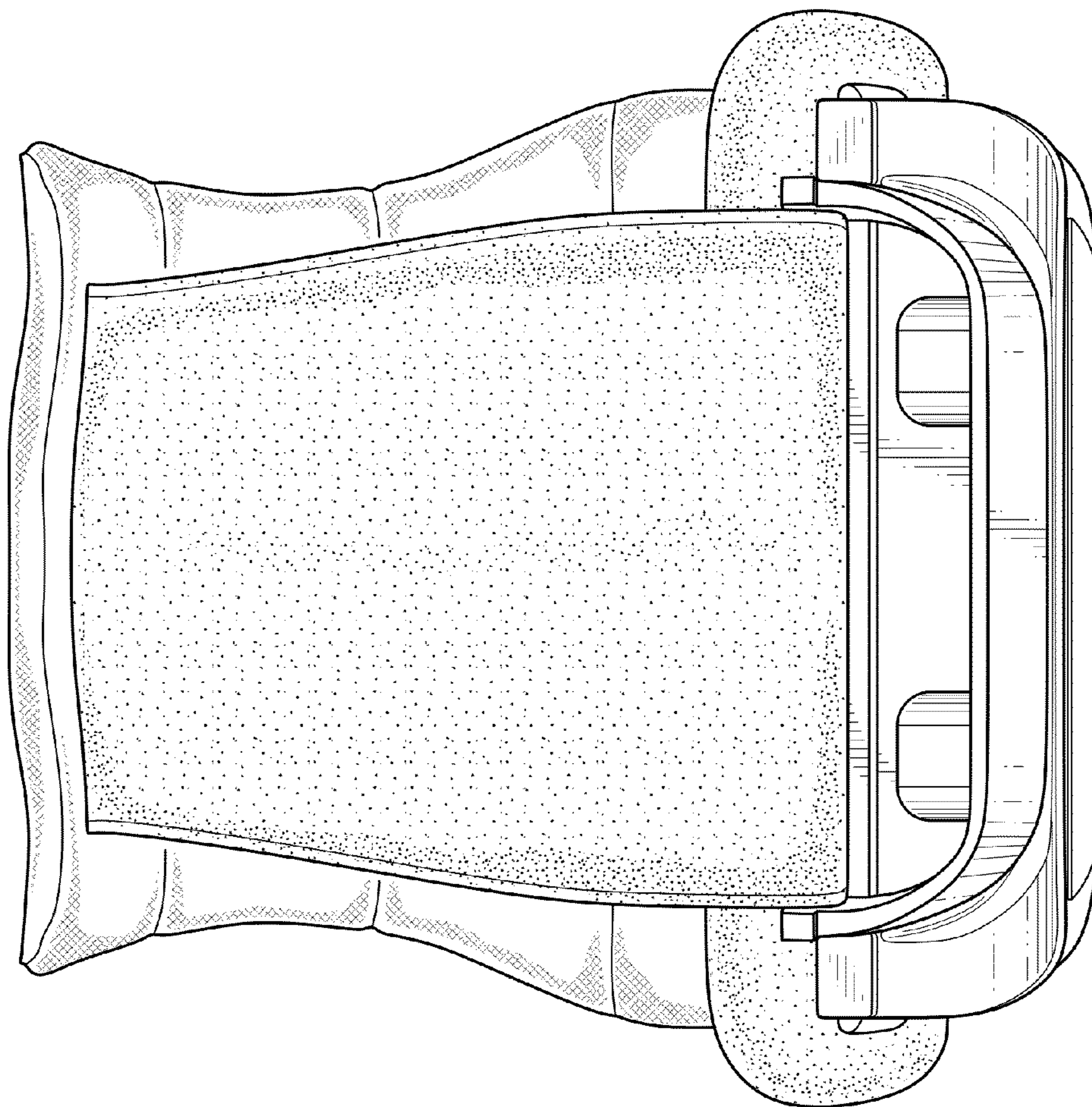
**FIG. 2**



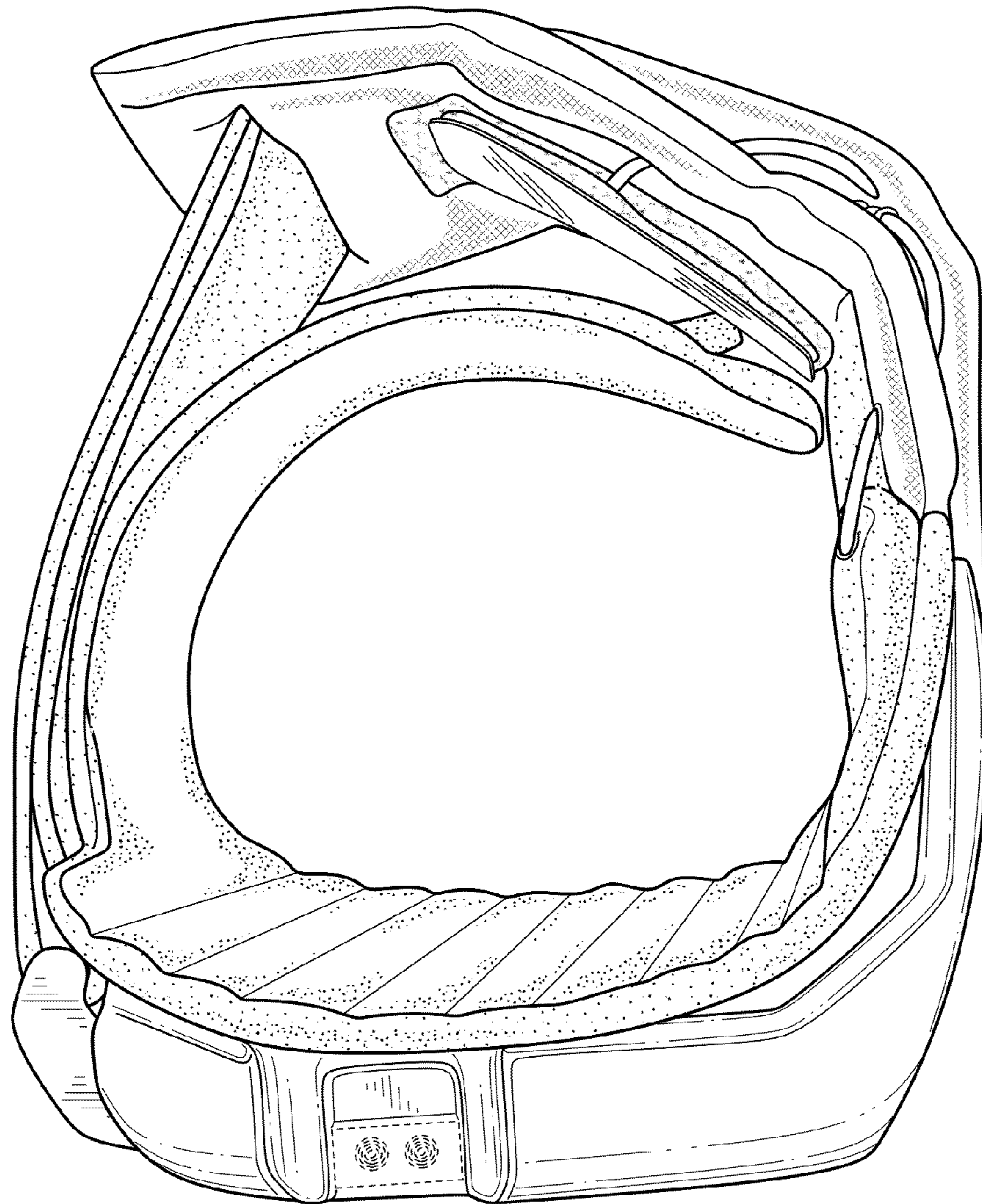
**FIG. 3**



**FIG. 4**

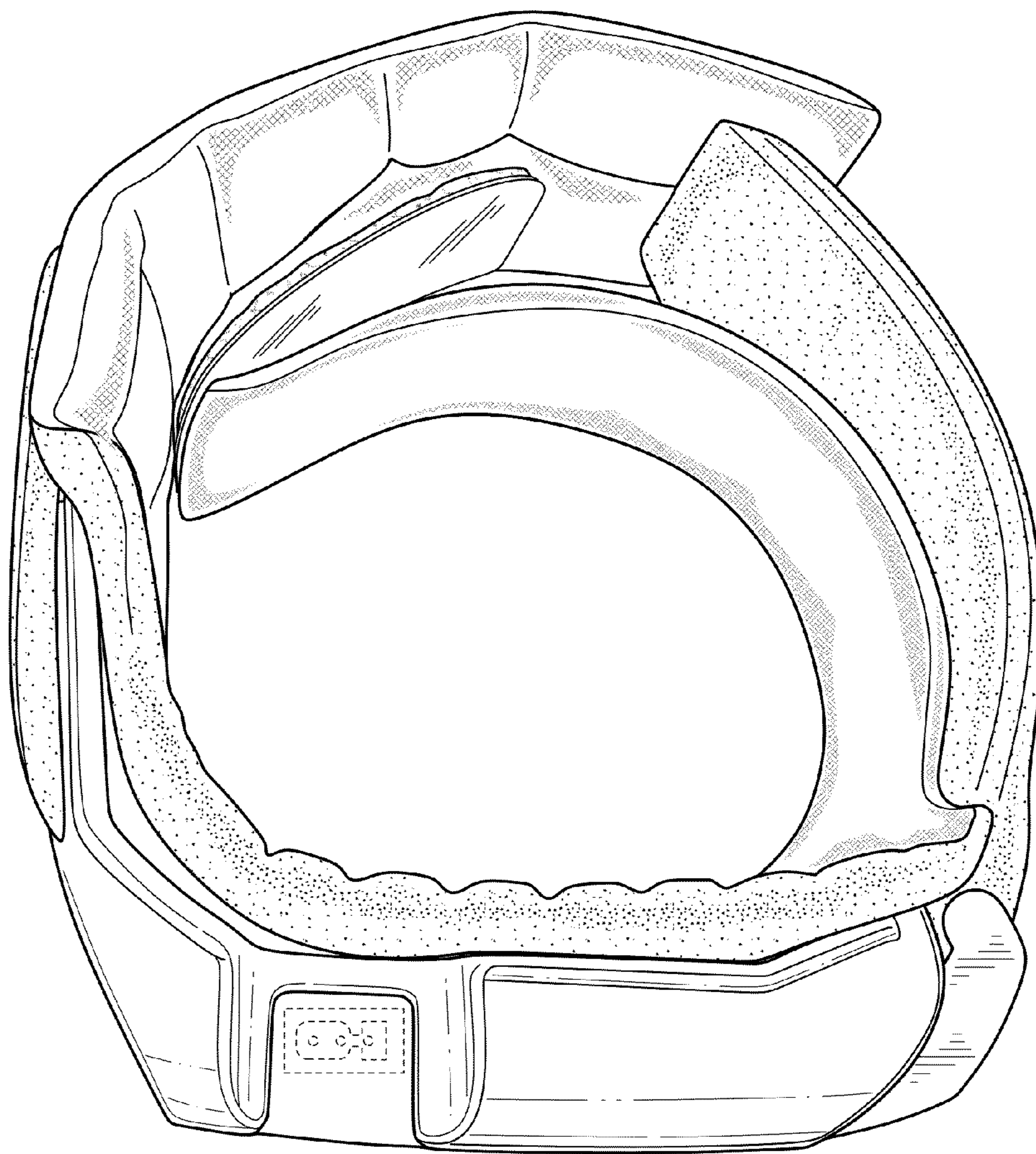


**FIG. 5**



**FIG. 6**





**FIG. 7**