



US00D742019S

(12) **United States Design Patent**  
**Montgomery et al.**

(10) **Patent No.:** **US D742,019 S**

(45) **Date of Patent:** **\*\* Oct. 27, 2015**

(54) **INSULATED BABY BOTTLE WITH LIQUID  
SANITIZER COMPARTMENT**

(71) Applicants: **Clay Montgomery**, Chicago, IL (US);  
**Phyllis Montgomery**, Chicago, IL (US)

(72) Inventors: **Clay Montgomery**, Chicago, IL (US);  
**Phyllis Montgomery**, Chicago, IL (US)

(\*\*) Term: **14 Years**

(21) Appl. No.: **29/504,817**

(22) Filed: **Oct. 9, 2014**

(51) **LOC (10) Cl.** ..... **07-01**

(52) **U.S. Cl.**  
USPC ..... **D24/197**

(58) **Field of Classification Search**  
USPC ..... D24/127, 128, 129, 193, 194, 195, 196,  
D24/197, 198, 199, 207; D9/444, 447, 452,  
D9/516, 608, 668, 719, 761; 220/227, 235,  
220/694, 703, 714, 727, 745; 215/11.1,  
215/11.2, 11.3, 11.4, 11.5, 11.6, 41;  
D7/392, 510, 511; 606/236  
CPC ..... A61J 9/00; A61J 11/001; A61J 11/0035  
See application file for complete search history.

(56) **References Cited**

**U.S. PATENT DOCUMENTS**

2,822,102 A \* 2/1958 Holland ..... 215/11.1  
5,067,328 A 11/1991 Medina et al.  
5,316,160 A \* 5/1994 Cautereels ..... 215/11.1  
5,353,964 A \* 10/1994 Liu et al. .... 222/134  
D399,004 S \* 9/1998 Johansen et al. .... D24/193  
D455,069 S \* 4/2002 Johnson ..... D9/503  
6,921,179 B2 7/2005 Diak Ghanem  
7,229,181 B2 6/2007 Diak/Ghanem

D619,418 S \* 7/2010 Nezu et al. .... D7/510  
D629,657 S \* 12/2010 Carreno ..... D7/629  
2003/0106872 A1 \* 6/2003 Lin ..... 215/11.5  
2003/0183596 A1 \* 10/2003 Lombardo ..... 215/11.5  
2009/0127221 A1 \* 5/2009 Nasrallah ..... 215/11.6  
2009/0184081 A1 \* 7/2009 Wu et al. .... 215/11.2  
2012/0318765 A1 \* 12/2012 Questad et al. .... 215/11.1  
2013/0048591 A1 \* 2/2013 Morrone ..... 215/11.5

**OTHER PUBLICATIONS**

“Playtex Drop-Ins Original BPA Free Nurser”. amazon.com. Web. Sep. 8, 2012.\*

“Best on the Go Bottle—The Mixie”. thewisebaby.com. Web. Apr. 11, 2013.\*

\* cited by examiner

*Primary Examiner* — Robert M Spear

*Assistant Examiner* — Kendra L Hamilton

(74) *Attorney, Agent, or Firm* — Crossley Patent Law

(57) **CLAIM**

The ornamental design for an insulated baby bottle with liquid sanitizer compartment, as shown and described.

**DESCRIPTION**

FIG. 1 is a front elevation view of an insulated baby bottle with liquid sanitizer compartment showing our new design with a cap separated from a baby bottle for clarity and a liquid sanitizer compartment disposed on a bottom end of the baby bottle;

FIG. 2 is a rear elevation view thereof;

FIG. 3 is a right side elevation view thereof, the opposite side being a mirror image;

FIG. 4 is a top plan view thereof;

FIG. 5 is a bottom plan view thereof; and,

FIG. 6 is an isometric view thereof.

**1 Claim, 5 Drawing Sheets**

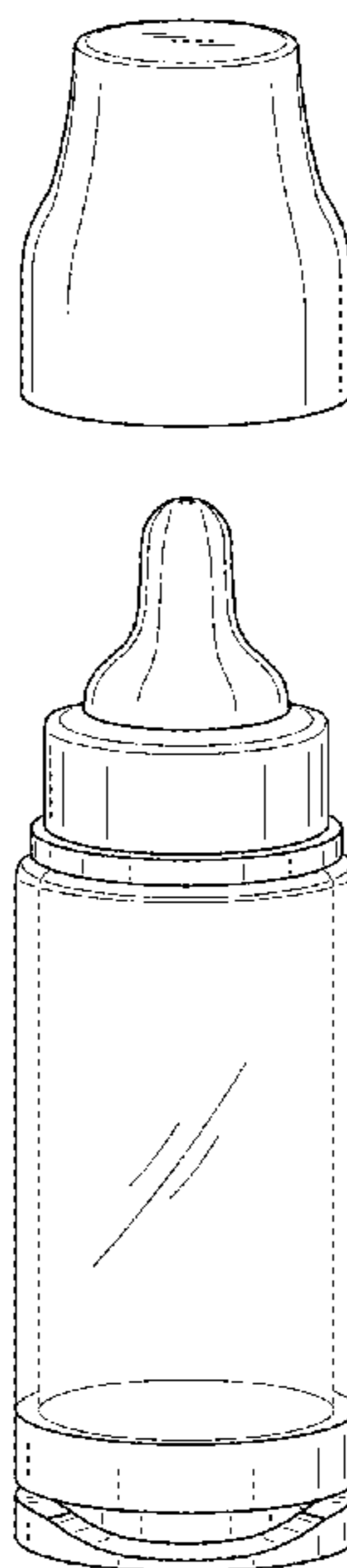


FIG. 1

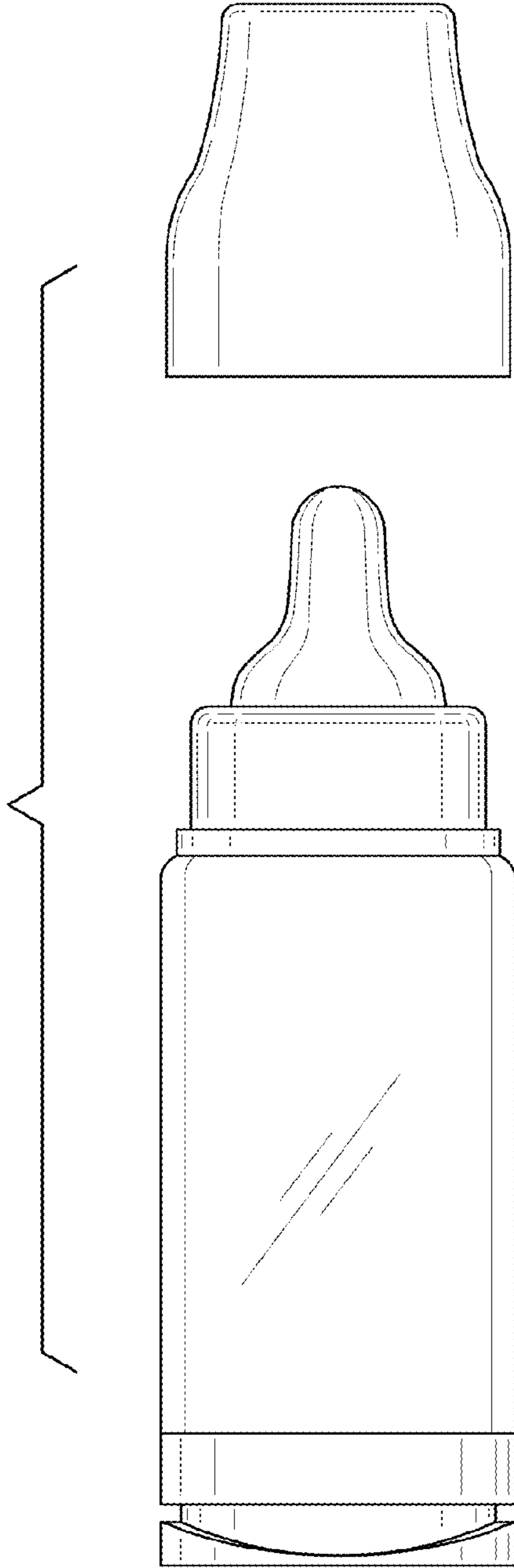


FIG. 2

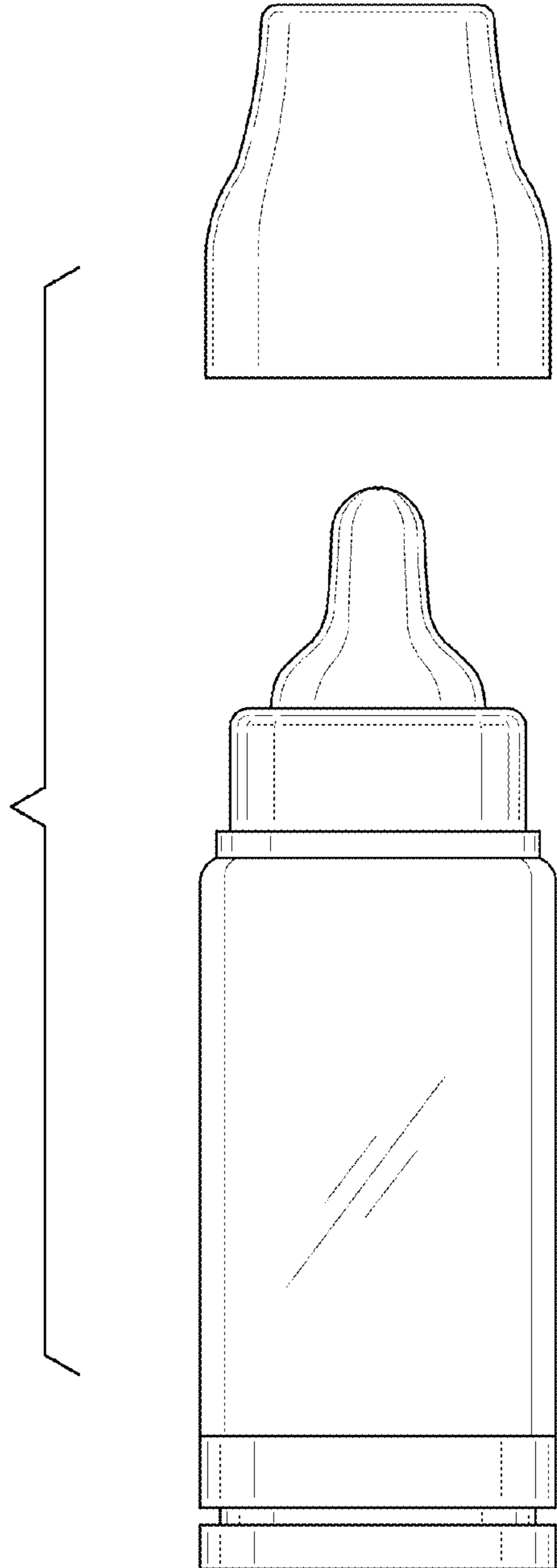


FIG. 3

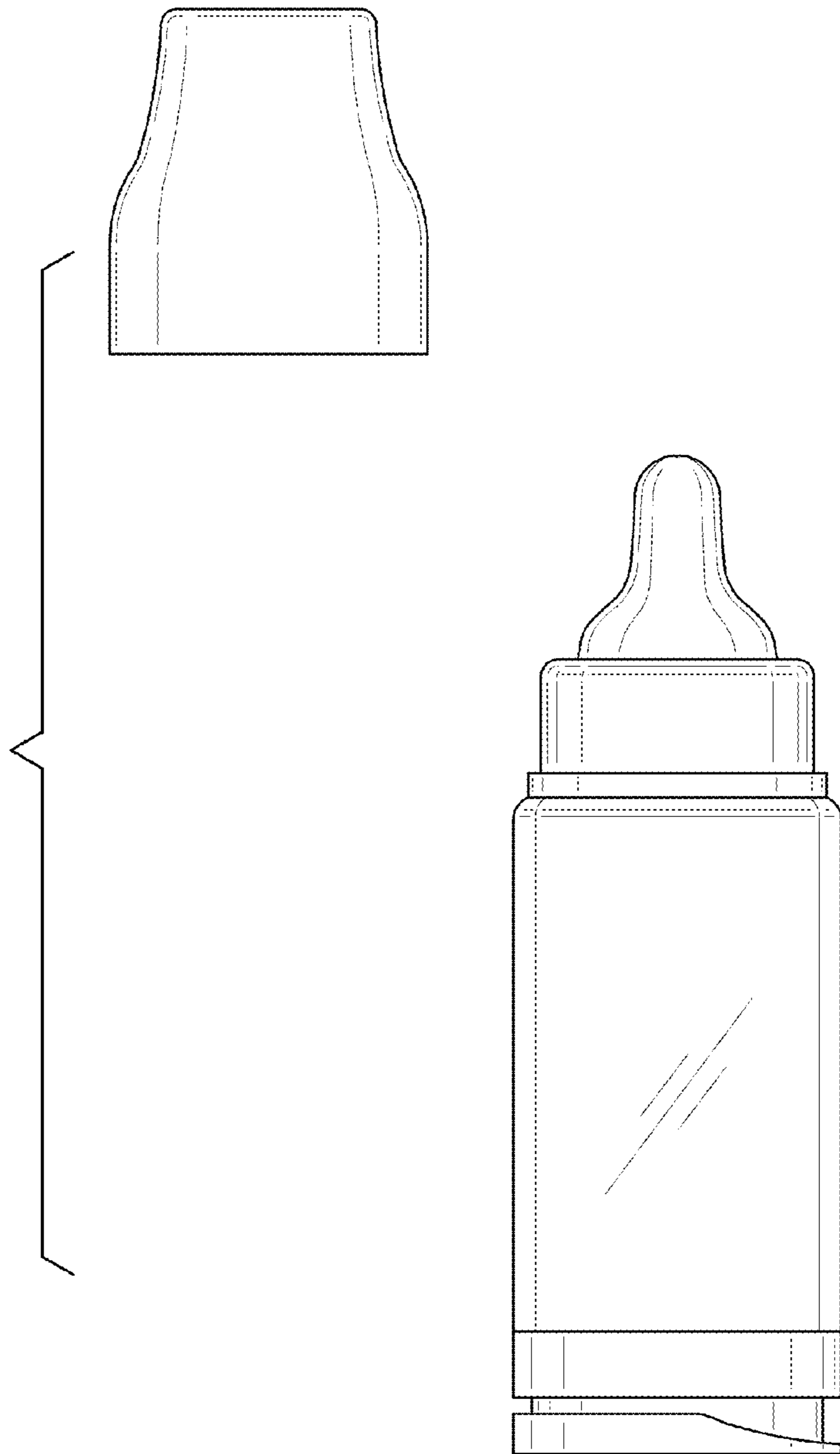


FIG. 4

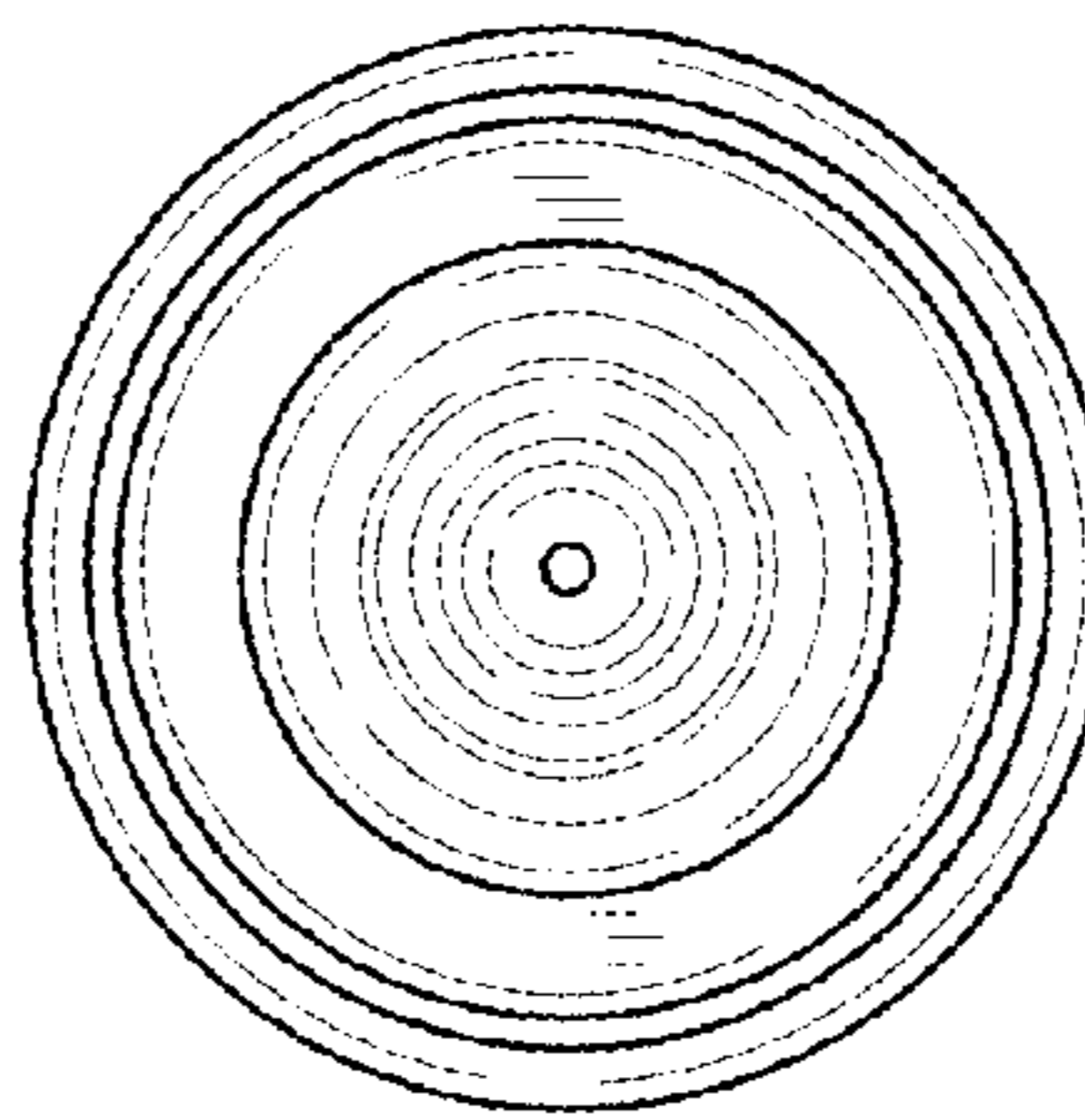
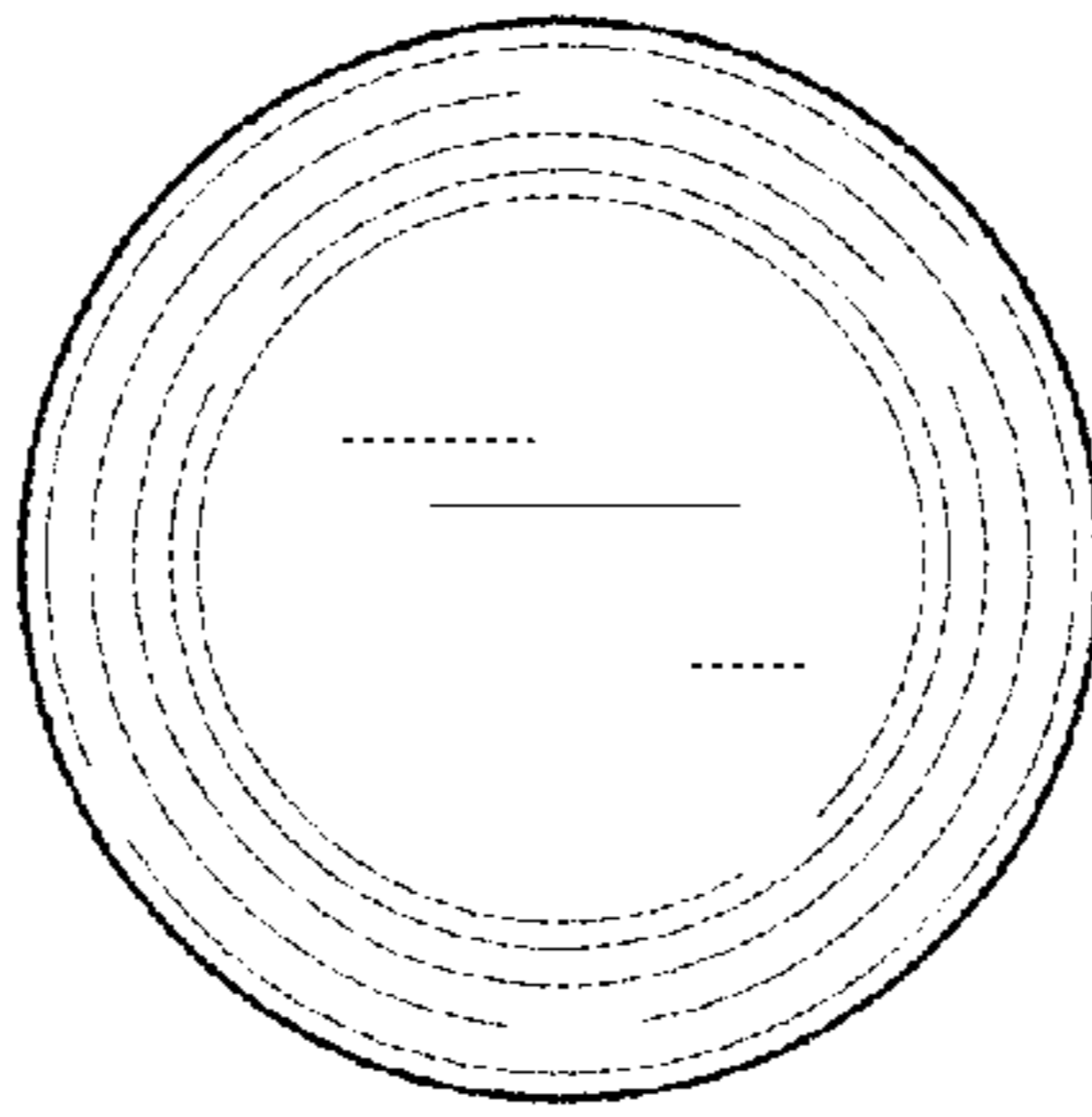


FIG. 5

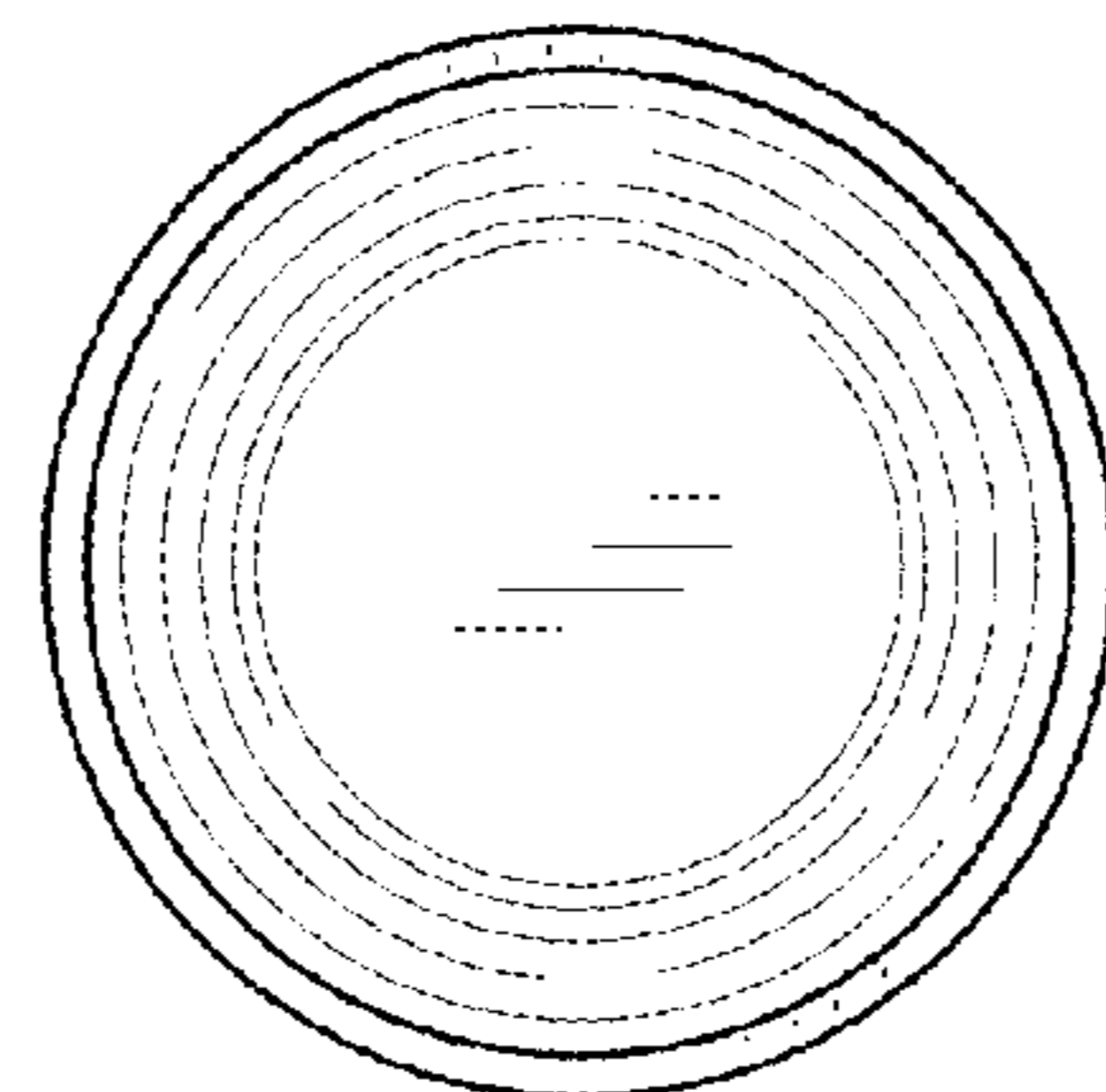
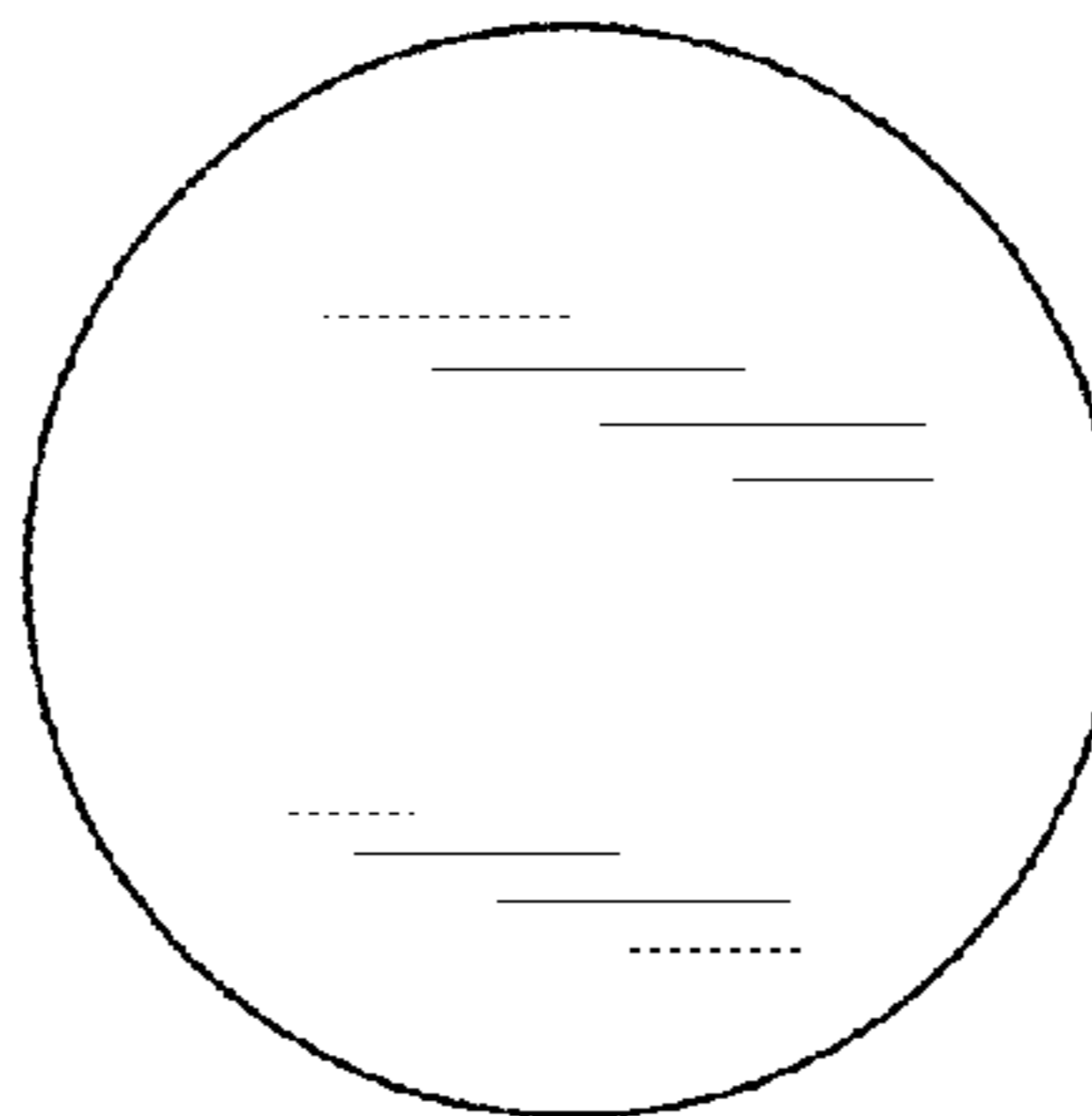


FIG. 6

