



US00D742017S

(12) **United States Design Patent**
Dunn et al.

(10) **Patent No.:** **US D742,017 S**
(45) **Date of Patent:** **** Oct. 27, 2015**

(54) **SHELL FOR AN ORTHOPEDIC DEVICE**
(71) Applicant: **OSSUR HF**, Reykjavik (IS)
(72) Inventors: **Adam Dunn**, Laguna Niguel, CA (US);
Gil David Manalo, San Clemente, CA (US)

4,217,706 A 8/1980 Vartanian
4,217,893 A 8/1980 Payton
4,232,459 A 11/1980 Vaccari
4,414,965 A 11/1983 Mauldin et al.
D272,281 S 1/1984 Alush
4,446,856 A 5/1984 Jordan

(Continued)

(73) Assignee: **OSSUR HF**, Reykjavik (IS)

(**) Term: **14 Years**

(21) Appl. No.: **29/486,208**

(22) Filed: **Mar. 27, 2014**

(51) **LOC (10) Cl.** **24-01**

(52) **U.S. Cl.**
USPC **D24/192**

(58) **Field of Classification Search**
USPC D24/190, 192; D2/904, 909-911, 946,
D2/970, 972, 976; D29/120.1
CPC A61F 5/0111; A61F 5/0127; A61F 5/012;
A61F 2002/701; A43C 13/14; Y10S 128/20
See application file for complete search history.

(56) **References Cited**

U.S. PATENT DOCUMENTS

2,888,016 A	5/1959	De Lamater
3,464,126 A	9/1969	Sarkissian
3,580,248 A	5/1971	Larson
3,685,176 A	8/1972	Rudy
3,760,056 A	9/1973	Rudy
3,786,805 A	1/1974	Tourin
3,792,537 A	2/1974	Plank et al.
3,814,088 A	6/1974	Raymond
3,834,377 A	9/1974	Lebold
3,922,800 A	12/1975	Miller et al.
3,955,565 A	5/1976	Johnson, Jr.
4,045,888 A	9/1977	Oxenberg
4,057,056 A	11/1977	Payton
4,142,307 A	3/1979	Martin
4,184,273 A	1/1980	Boyer et al.

FOREIGN PATENT DOCUMENTS

DE 2341658 A1 3/1974
DE 3228753 A1 2/1984

(Continued)

OTHER PUBLICATIONS

International Search Report and Written Opinion from International Application No. PCT/US2014/057421, Dec. 8, 2014.

(Continued)

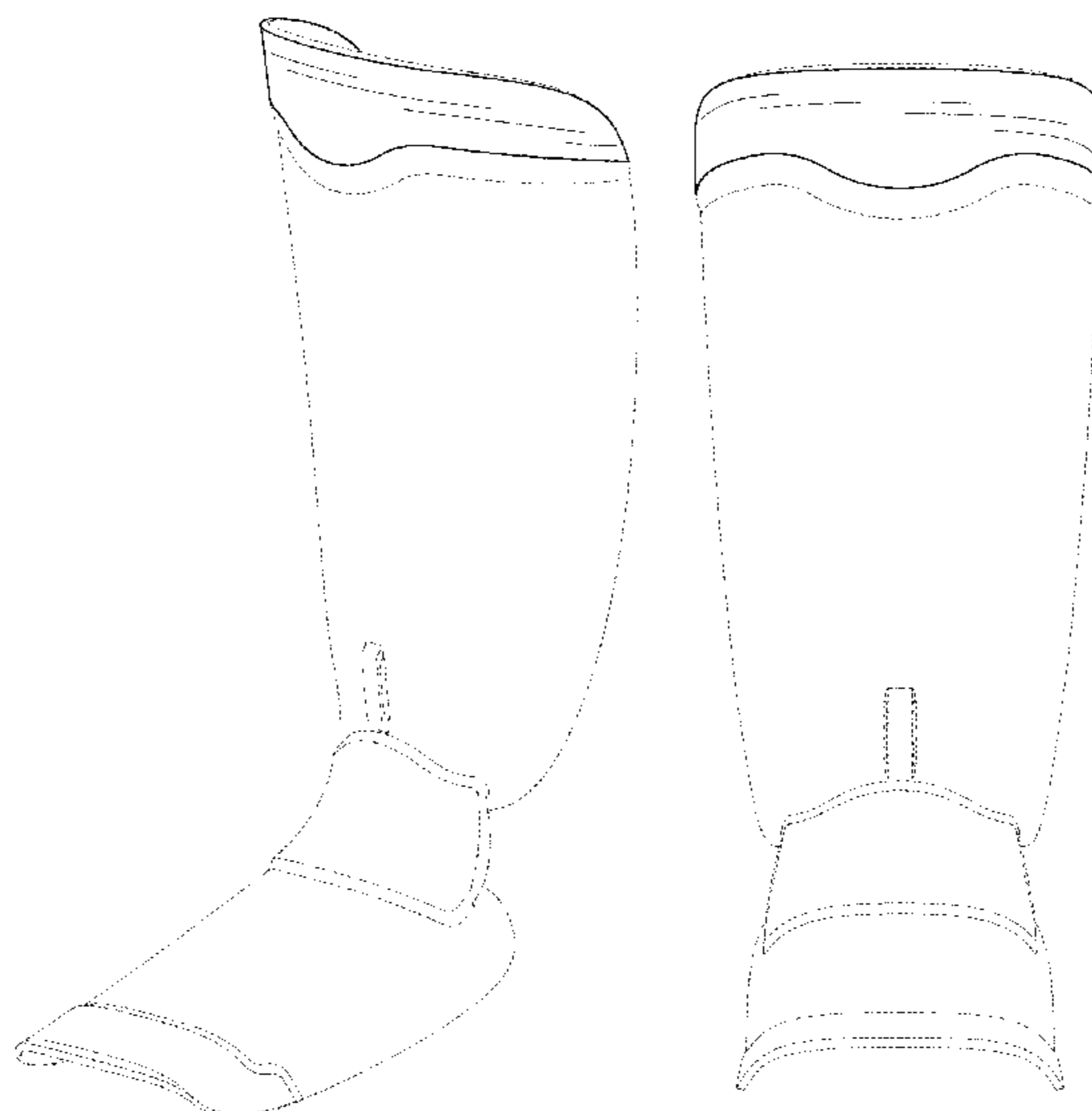
Primary Examiner — George D Kirschbaum
Assistant Examiner — Jennifer Watkins
(74) *Attorney, Agent, or Firm* — Workman Nydegger

(57) **CLAIM**
The ornamental design for a shell for an orthopedic device, as shown and described.

DESCRIPTION

FIG. 1 is a perspective view of a shell for an orthopedic device, showing the design;
FIG. 2 is a left elevational view thereof;
FIG. 3 is a right elevational view thereof;
FIG. 4 is a front elevational view thereof;
FIG. 5 is a back elevational view thereof;
FIG. 6 is a top plan view thereof; and,
FIG. 7 is a bottom plan view thereof.
The broken lines are included for the purpose of illustrating environmental structure and form no part of the claimed design.

1 Claim, 5 Drawing Sheets



(56)

References Cited

U.S. PATENT DOCUMENTS

4,494,536 A	1/1985	Latenser	5,827,210 A	10/1998	Antar et al.
4,505,269 A	3/1985	Davies et al.	5,827,211 A	10/1998	Sellinger
4,550,721 A	11/1985	Michel	D401,042 S	11/1998	Davis
4,565,017 A	1/1986	Ottieri	5,833,639 A	11/1998	Nunes et al.
4,572,169 A	2/1986	Mauldin et al.	5,836,902 A	11/1998	Gray
4,587,962 A	5/1986	Greene et al.	5,846,063 A	12/1998	Lakic
4,620,378 A	11/1986	Sartor	5,853,380 A	12/1998	Miller
4,633,599 A	1/1987	Morell et al.	5,857,987 A	1/1999	Habermeyer
4,660,300 A	4/1987	Morell et al.	5,868,690 A	2/1999	Eischen, Sr.
4,669,202 A	6/1987	Ottieri	5,913,841 A	6/1999	Lamont
4,680,878 A	7/1987	Pozzobon et al.	5,934,599 A	8/1999	Hammerslag
4,719,710 A	1/1988	Pozzobon	5,961,477 A	10/1999	Turtzo
4,741,115 A	5/1988	Pozzobon	5,993,404 A	11/1999	Mc Niel
4,748,726 A	6/1988	Schoch	6,000,148 A	12/1999	Cretinon
4,760,653 A	8/1988	Baggio	D418,967 S *	1/2000	Stengel D2/946
4,771,768 A	9/1988	Crispin	6,021,780 A	2/2000	Darby
D299,787 S	2/1989	Bates	6,027,468 A	2/2000	Pick
4,805,601 A	2/1989	Eischen, Sr.	6,044,578 A	4/2000	Kelz
4,872,273 A	10/1989	Smeed	6,202,953 B1	3/2001	Hammerslag
4,879,822 A	11/1989	Hayes	6,228,044 B1	5/2001	Jensen et al.
4,934,355 A	6/1990	Porcelli	6,267,742 B1	7/2001	Krivosha et al.
4,947,838 A	8/1990	Giannetti	RE37,338 E	8/2001	McVicker
4,974,583 A	12/1990	Freitas	6,289,558 B1	9/2001	Hammerslag
5,065,481 A	11/1991	Walkhoff	6,334,854 B1	1/2002	Davis
5,078,128 A	1/1992	Grim et al.	6,361,514 B1	3/2002	Brown et al.
5,125,400 A	6/1992	Johnson, Jr.	6,377,178 B1	4/2002	DeToro et al.
D329,527 S	9/1992	Cohen	6,409,691 B1	6/2002	Dakin et al.
5,143,058 A	9/1992	Luber et al.	6,432,073 B2	8/2002	Pior et al.
5,152,038 A	10/1992	Schoch	D467,708 S *	12/2002	Portzline D2/946
5,154,695 A	10/1992	Farris et al.	D473,654 S	4/2003	Iglesias et al.
5,157,813 A	10/1992	Carroll	D473,704 S *	4/2003	Wilson D2/972
5,176,623 A	1/1993	Stetman et al.	6,572,571 B2	6/2003	Lowe
5,183,036 A	2/1993	Spademan	D476,799 S	7/2003	Fuerst
5,197,942 A	3/1993	Brady	6,589,194 B1	7/2003	Calderon et al.
D334,646 S *	4/1993	Dissinger D2/970	6,682,497 B2	1/2004	Jensen et al.
D337,876 S	8/1993	Kilbey	6,755,798 B2	6/2004	McCarthy et al.
5,233,767 A	8/1993	Kramer	D500,855 S	1/2005	Pick et al.
5,242,379 A	9/1993	Harris et al.	6,866,043 B1	3/2005	Davis
5,249,377 A	10/1993	Walkhoff	D505,727 S	5/2005	Krahner et al.
5,277,695 A	1/1994	Johnson, Jr. et al.	6,945,944 B2	9/2005	Kuiper et al.
D344,589 S	2/1994	Kilbey	6,976,972 B2	12/2005	Bradshaw
5,288,286 A	2/1994	Davis et al.	6,991,613 B2	1/2006	Sensabaugh
5,325,613 A	7/1994	Sussmann	7,010,823 B2	3/2006	Baek
5,329,705 A	7/1994	Grim et al.	7,018,351 B1	3/2006	Iglesias et al.
D352,784 S	11/1994	Cohen et al.	D528,214 S *	9/2006	Binet D24/190
5,368,549 A	11/1994	McVicker	7,198,610 B2	4/2007	Ingimundarson et al.
5,368,551 A	11/1994	Zuckerman	7,281,341 B2	10/2007	Reagan et al.
5,370,133 A	12/1994	Darby et al.	7,288,076 B2	10/2007	Grim et al.
5,378,223 A	1/1995	Grim et al.	D554,835 S *	11/2007	Peydro D2/946
5,399,152 A	3/1995	Habermeyer et al.	7,303,538 B2	12/2007	Grim et al.
5,425,701 A	6/1995	Oster et al.	7,311,686 B1	12/2007	Iglesias et al.
5,426,872 A	6/1995	Hayes	7,354,411 B2	4/2008	Perry et al.
5,429,588 A	7/1995	Young et al.	7,384,584 B2	6/2008	Jerome et al.
5,435,009 A	7/1995	Schild et al.	D575,039 S	8/2008	Amado et al.
5,441,015 A	8/1995	Farley	7,418,755 B2	9/2008	Bledsoe et al.
D363,780 S	10/1995	Darby et al.	D583,956 S *	12/2008	Chang et al. D24/192
5,464,385 A	11/1995	Grim	D592,755 S	5/2009	Chang et al.
5,477,593 A	12/1995	Leick	D592,756 S *	5/2009	Chang et al. D24/192
5,496,263 A	3/1996	Fuller, II et al.	D596,386 S	7/2009	Brambilla
D375,191 S	11/1996	Tonkel et al.	7,591,050 B2	9/2009	Hammerslag
5,577,998 A	11/1996	Johnson, Jr. et al.	D614,775 S	4/2010	Snively
D376,429 S	12/1996	Antar	D615,285 S *	5/2010	Martin D2/946
5,641,322 A	6/1997	Silver et al.	D616,556 S	5/2010	Hu
5,647,104 A	7/1997	James	7,727,174 B2	6/2010	Chang et al.
5,656,226 A	8/1997	McVicker	D622,494 S *	8/2010	Warren D2/975
D383,250 S *	9/1997	Amico D29/120.1	D634,438 S	3/2011	Hu
D384,746 S	10/1997	Varn	D634,852 S	3/2011	Hu
D390,345 S	2/1998	Aird et al.	D636,157 S	4/2011	Nascimento
5,717,996 A	2/1998	Feldmann	D636,159 S	4/2011	Petrie
D391,748 S	3/1998	Koh	D642,363 S	8/2011	Rajmohan et al.
5,761,834 A	6/1998	Grim et al.	D642,775 S	8/2011	Raysse
5,778,563 A	7/1998	Ahlbaumer	8,002,724 B2	8/2011	Hu et al.
D398,142 S *	9/1998	Benoit D2/946	8,012,112 B2	9/2011	Barberio
D398,439 S	9/1998	McDonald	D677,866 S	3/2013	Vestuti et al.
5,819,378 A	10/1998	Doyle	D682,517 S	5/2013	Taylor
			8,506,510 B2	8/2013	Hu et al.
			8,574,181 B2 *	11/2013	Bird et al. 602/13
			D696,499 S *	12/2013	Lehtinen D2/909
			D696,785 S *	12/2013	Weaver et al. D24/192

(56)

References Cited

U.S. PATENT DOCUMENTS

D712,639 S * 9/2014 Spring D2/910
 2002/0095105 A1 7/2002 Jensen
 2002/0095750 A1 7/2002 Hammerslag
 2002/0128574 A1 9/2002 Darby
 2003/0093882 A1 5/2003 Gorza et al.
 2003/0204938 A1 11/2003 Hammerslag
 2004/0010212 A1 1/2004 Kuiper et al.
 2004/0019307 A1 1/2004 Grim et al.
 2004/0167453 A1 8/2004 Peters
 2005/0131324 A1 6/2005 Bledsoe
 2005/0145256 A1 7/2005 Howard et al.
 2005/0165338 A1 7/2005 Iglesias et al.
 2005/0171461 A1 8/2005 Pick
 2005/0172517 A1 8/2005 Bledsoe et al.
 2005/0274046 A1 12/2005 Schwartz
 2006/0084899 A1 4/2006 Verkade et al.
 2006/0135899 A1 6/2006 Jerome et al.
 2006/0135902 A1 6/2006 Ingimundarson et al.
 2006/0156517 A1 7/2006 Hammerslag et al.
 2006/0189907 A1 8/2006 Pick et al.
 2006/0217649 A1 9/2006 Rabe
 2006/0229541 A1 10/2006 Hassler et al.
 2007/0169378 A1 7/2007 Sodeberg et al.
 2007/0185425 A1 8/2007 Einarsson et al.
 2007/0191749 A1 8/2007 Barberio
 2007/0282230 A1 12/2007 Valderrabano et al.
 2007/0293798 A1 12/2007 Hu et al.
 2008/0060167 A1 3/2008 Hammerslag et al.
 2008/0060168 A1 3/2008 Hammerslag et al.
 2008/0066272 A1 3/2008 Hammerslag et al.
 2008/0066345 A1 3/2008 Hammerslag et al.
 2008/0066346 A1 3/2008 Hammerslag et al.
 2008/0083135 A1 4/2008 Hammerslag et al.
 2008/0294082 A1 11/2008 Chang et al.
 2008/0294083 A1 11/2008 Chang et al.
 2009/0287127 A1 11/2009 Hu et al.
 2009/0287128 A1 11/2009 Ingimundarson et al.
 2010/0234782 A1 * 9/2010 Hu et al. 602/13
 2012/0078148 A1 3/2012 Hu et al.

2013/0066247 A1 3/2013 Bird et al.
 2013/0310721 A1 11/2013 Hu et al.
 2014/0276310 A1 9/2014 Grim et al.

FOREIGN PATENT DOCUMENTS

EP 0095396 A1 11/1983
 EP 0201051 A1 11/1986
 FR 2399811 A1 3/1979
 WO 9324081 A1 12/1993
 WO 97/36507 A1 10/1997
 WO 2013/084213 A1 6/2013

OTHER PUBLICATIONS

International Search Report from PCT Application No. PCT/US2009/003018, Jul. 24, 2009.
 Product Information Sheet: Nextep Contour Walker, Procure, DJ Orthopedics, Jan. 1, 2008, 1 page. Retrieved from the internet, www.djortho.com.
 Product Information Sheet: Nextep Contour w/Air Walker, Procure, DJ Orthopedics, Jan. 1, 2008, 1 page. Retrieved from internet, www.djortho.com.
 Product Information Sheet: XP Achilles Walker (EU only), Aircast, Jan. 1, 2008, 4 pages. Retrieved from the internet, <http://www.aircast.com/index.asp/fuseaction/products.detail/cat/2/id/104>.
 Product Information Sheet: XP Diabetic Walker System, Aircast, Jan. 1, 2008, 4 pages. Retrieved from the internet, <http://www.aircast.com/index.asp/fuseaction/products.detail/cat/2/id/15>.
 Product Information Sheet: SP Walker (short pneumatic), Aircast, Jan. 1, 2008, 4 pages. Retrieved from the internet, <http://www.aircast.com/index.asp/fuseaction/products.detail/cat/2/id/14>.
 Product Information Sheet: FP Walker (foam pneumatic), Aircast, Jan. 1, 2008, 4 pages. Retrieved from the internet, <http://www.aircast.com/index.asp/fuseaction/products.detail/cat/2/id/75>.
 Product Information Sheet: XP Walker (extra pneumatic), Aircast, Jan. 1, 2008, 4 pages. Retrieved from the internet, <http://www.aircast.com/index.asp/fuseaction/products.detail/cat/2/id/76>.
 International Search Report and Written Opinion from International Application No. PCT/US2014/069686, Mar. 13, 2015.

* cited by examiner

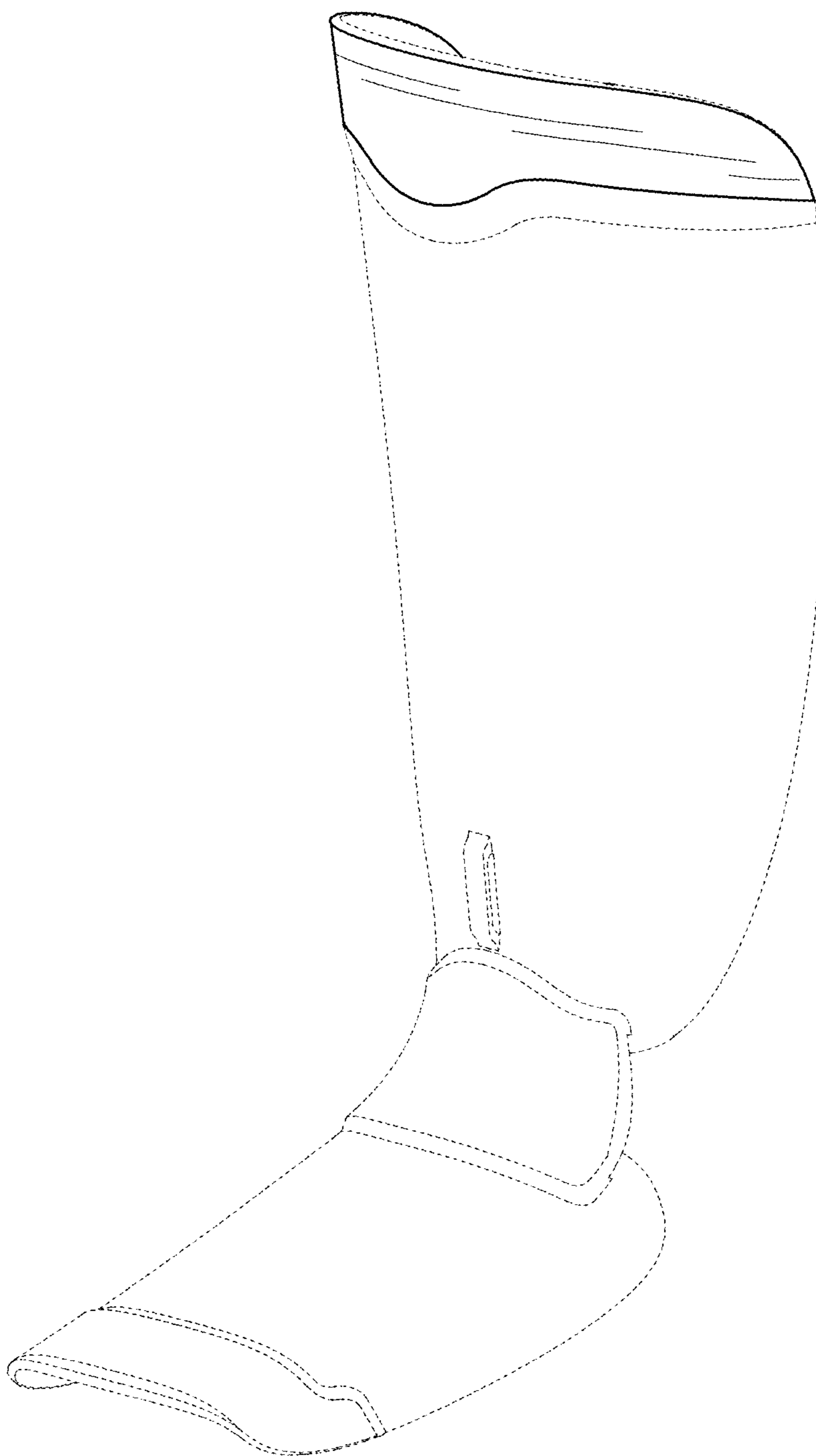


FIG. 1



FIG. 2



FIG. 3

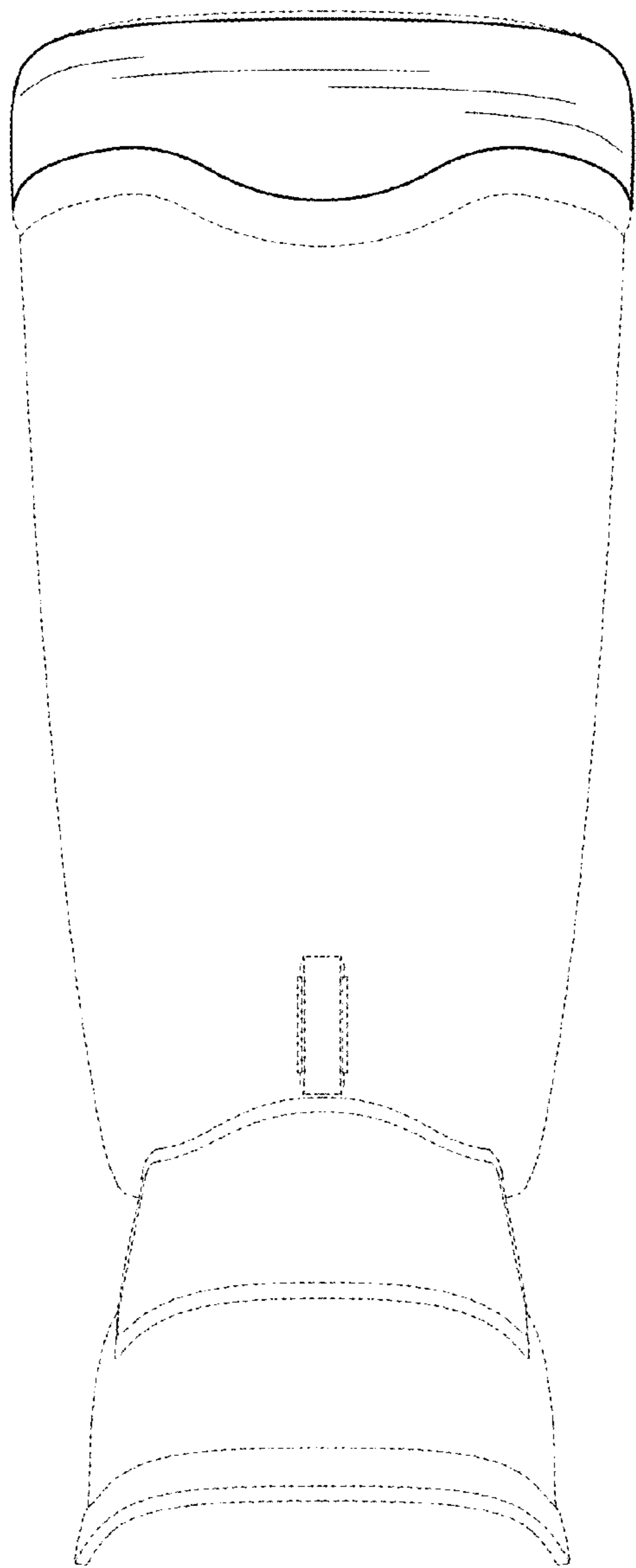


FIG. 4

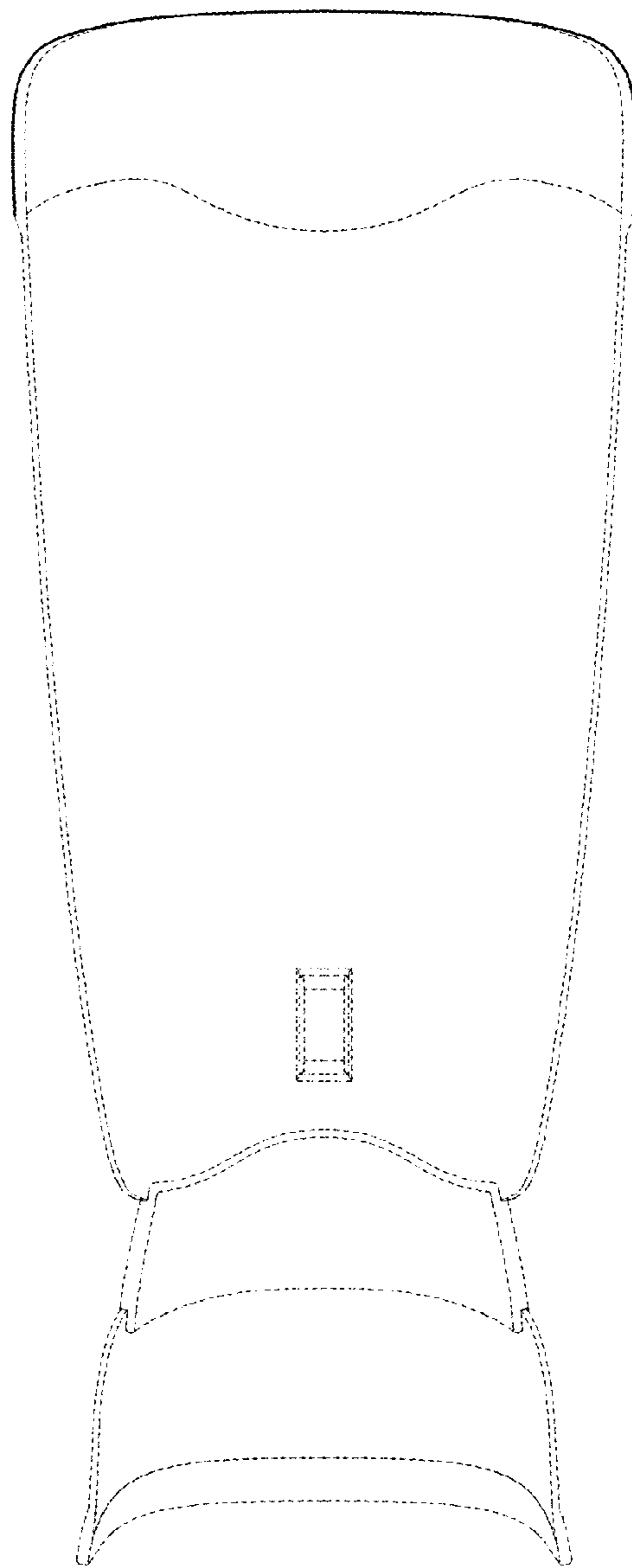


FIG. 5

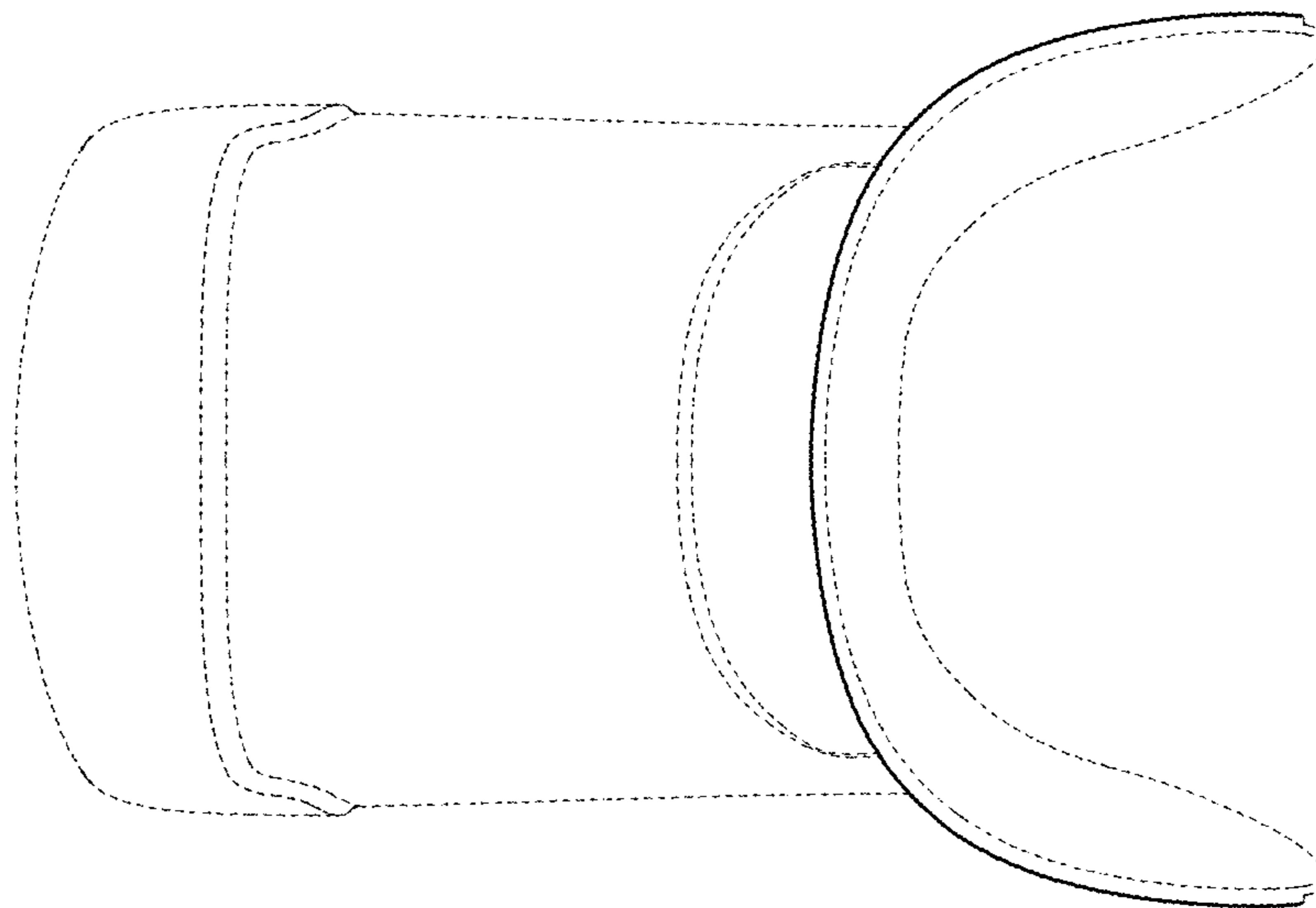


FIG. 6

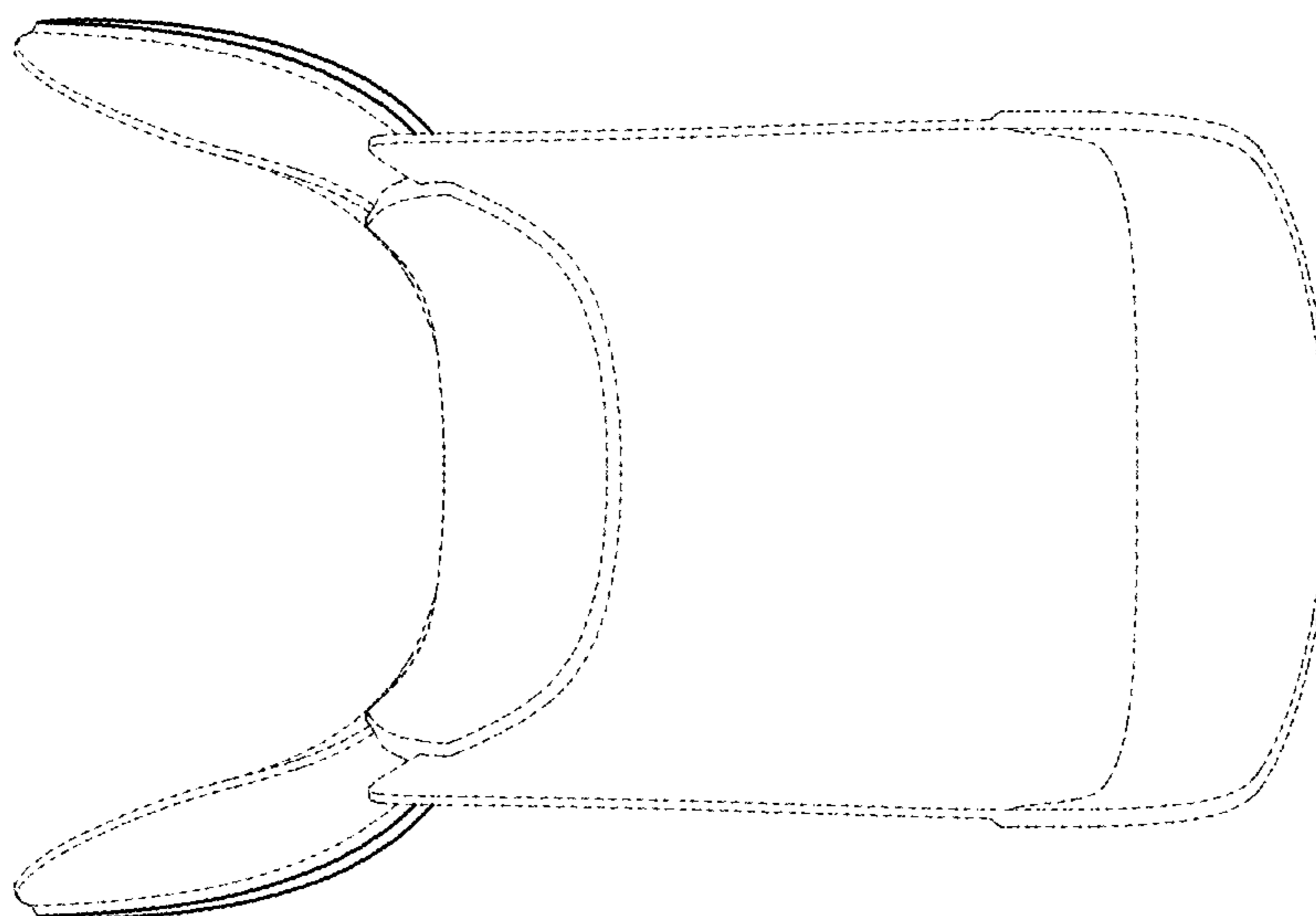


FIG. 7