



US00D742016S

(12) **United States Design Patent**  
**Hopper**

(10) **Patent No.:** **US D742,016 S**  
(45) **Date of Patent:** **\*\* Oct. 27, 2015**

- (54) **ROUNDED AIR HORN**
- (71) Applicant: **James Gilbert Robinson**, Guilford, Surrey (GB)
- (72) Inventor: **Timothy Hopper**, Guildford (GB)
- (73) Assignee: **Wagner Spraytech Limited**, Guildford, Surrey (GB)
- (\*\*) Term: **14 Years**
- (21) Appl. No.: **29/483,995**
- (22) Filed: **Mar. 5, 2014**
- (51) **LOC (10) Cl.** ..... **24-00**
- (52) **U.S. Cl.**  
USPC ..... **D24/185**
- (58) **Field of Classification Search**  
USPC ..... D24/172, 185; 239/353, 308, 340, 346, 239/290, 226, 225, 296, 291, 245, 597, 344, 239/322; D23/226, 229, 225, 223; D9/445; 222/190  
CPC ..... B05B 7/0815; B05B 1/005; B05B 3/06; B05B 3/02; B05B 11/06; B05B 7/2421; B05B 7/2429; B05B 7/2435; B05B 1/3026; B05B 7/2437; B05B 7/0037  
See application file for complete search history.

(56) **References Cited**

U.S. PATENT DOCUMENTS

1,834,683	A *	12/1931	Custer	.....	239/353
3,880,356	A *	4/1975	Chandler	.....	239/308
5,307,994	A *	5/1994	Hieronimus	.....	239/340
6,010,082	A *	1/2000	Peterson	.....	239/346
D479,305	S *	9/2003	Zittel et al.	.....	D23/226
D495,400	S *	8/2004	Hopper	.....	D23/225
7,097,118	B1 *	8/2006	Huang	.....	239/290
D527,797	S *	9/2006	Hickman	.....	D23/245

D536,418	S *	2/2007	Huang	.....	D23/226
D537,505	S *	2/2007	Huang	.....	D23/226
D541,903	S *	5/2007	Hopper	.....	D23/226
D574,928	S *	8/2008	Huang	.....	D23/226
D575,847	S *	8/2008	Huang	.....	D23/229
D592,055	S *	5/2009	Goulet	.....	D9/445
8,286,836	B2 *	10/2012	Yates	.....	222/190
D697,584	S *	1/2014	Schmon et al.	.....	D23/226
D698,007	S *	1/2014	Tullney	.....	D23/225
8,870,093	B2 *	10/2014	Brummitt	.....	239/322
D723,659	S *	3/2015	Tullney et al.	.....	D23/225
D725,743	S *	3/2015	Richter et al.	.....	D23/226
D726,872	S *	4/2015	Thurgood et al.	.....	D23/223
2003/0052190	A1 *	3/2003	Ulrich et al.	.....	239/290
2005/0145718	A1 *	7/2005	Blette et al.	.....	239/290
2006/0027679	A1 *	2/2006	Gratteau	.....	239/291
2007/0221751	A1 *	9/2007	Lang et al.	.....	239/290

(Continued)

*Primary Examiner* — Holly Baynham

*Assistant Examiner* — Rhea Shields

(74) *Attorney, Agent, or Firm* — Lambert & Associates; Gary E. Lambert; David J. Connaughton, Jr.

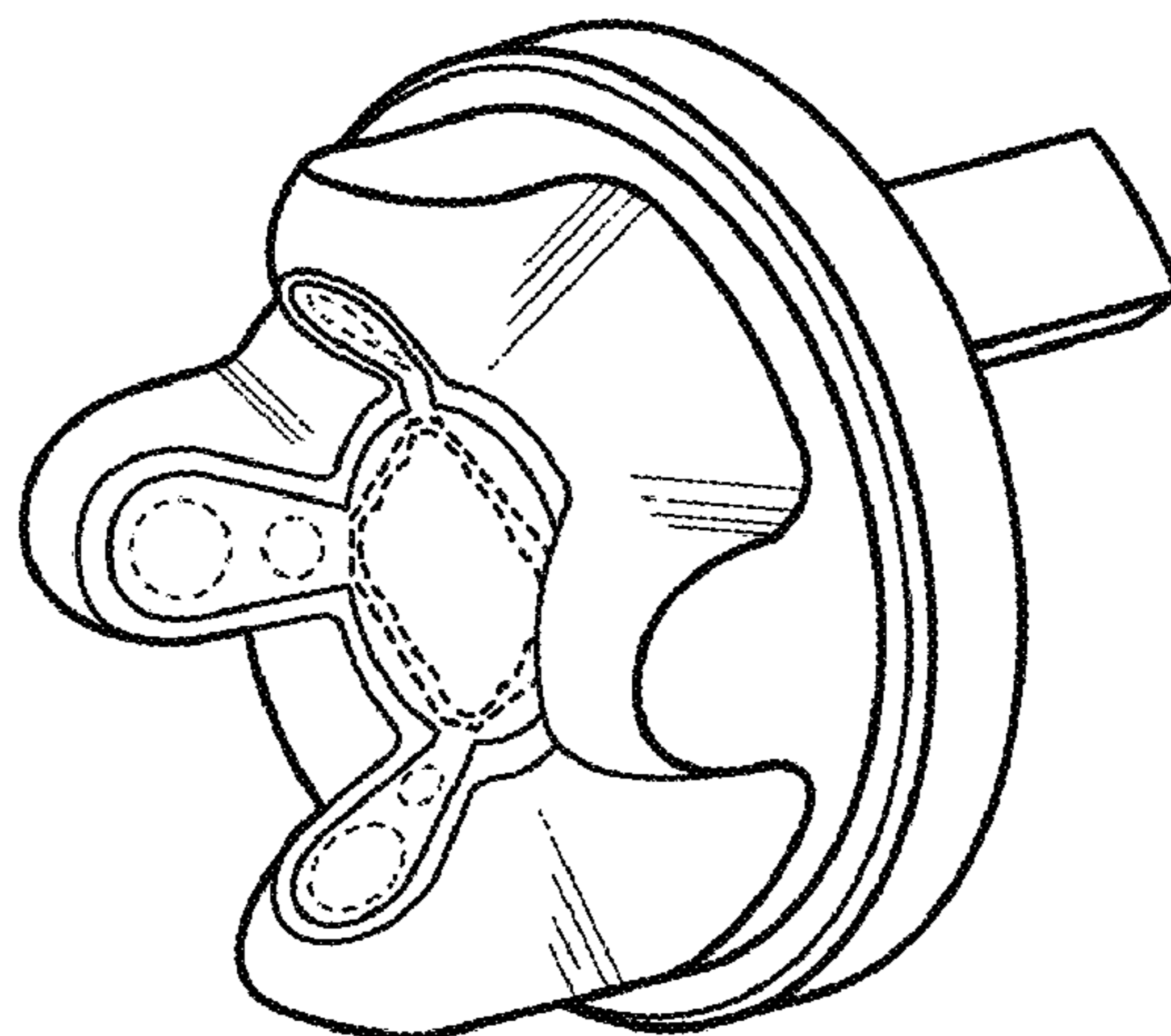
(57) **CLAIM**

The ornamental design for a rounded air horn, as shown and described.

**DESCRIPTION**

FIG. 1 is a front perspective view of the rounded air horns which embodies my design; FIG. 2 is a front elevation view of the rounded air horns; FIG. 3 is a rear elevation view of the rounded air horns; FIG. 4 is a left side view of the rounded air horns; FIG. 5 is a top view of the rounded air horns; and, FIG. 6 is a right side view of the rounded air horns. In the drawings, the broken lines are for the purpose of illustrating environment only and form no part of the claimed design.

**1 Claim, 2 Drawing Sheets**



# US D742,016 S

Page 2

---

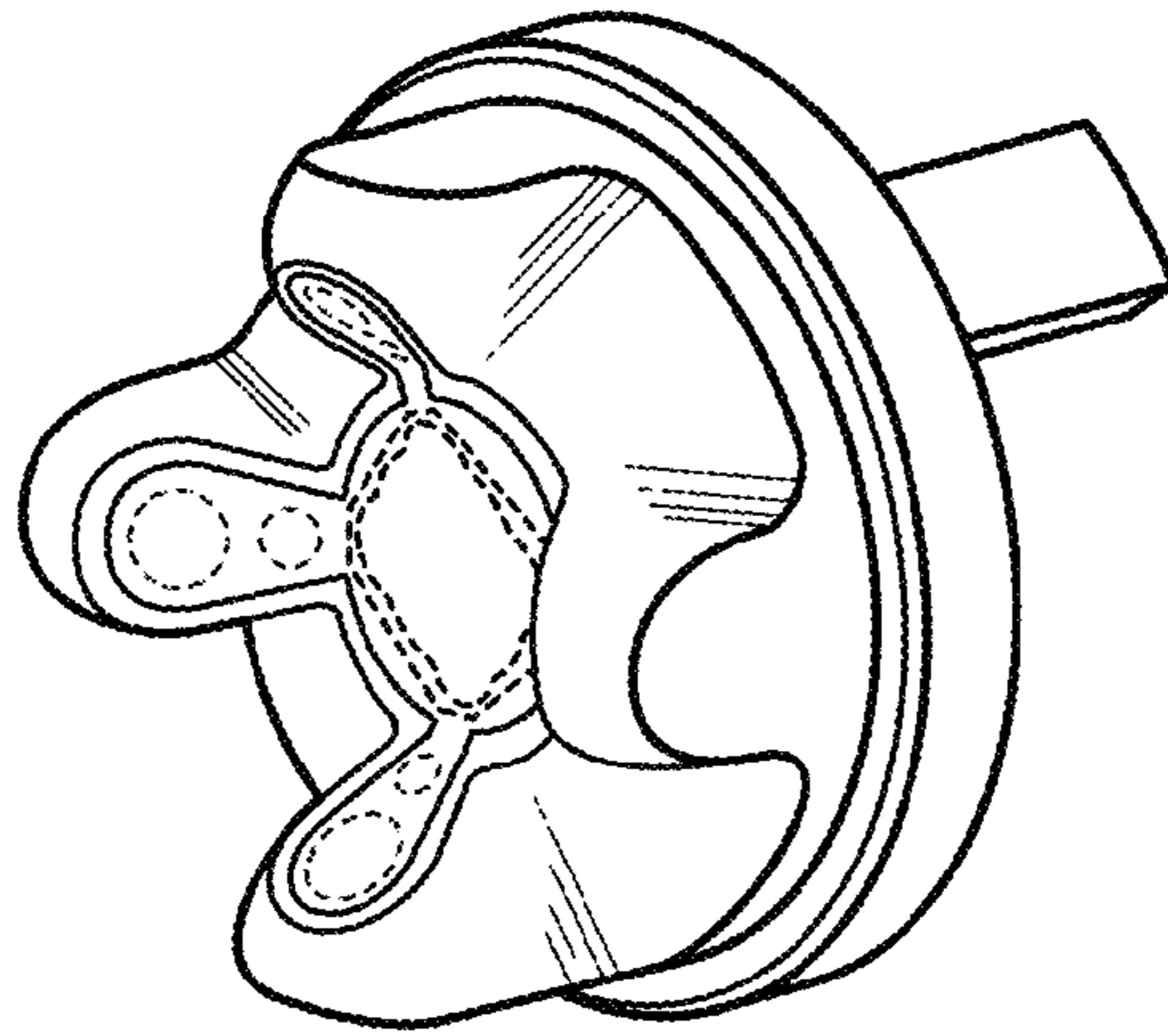
(56)

## References Cited

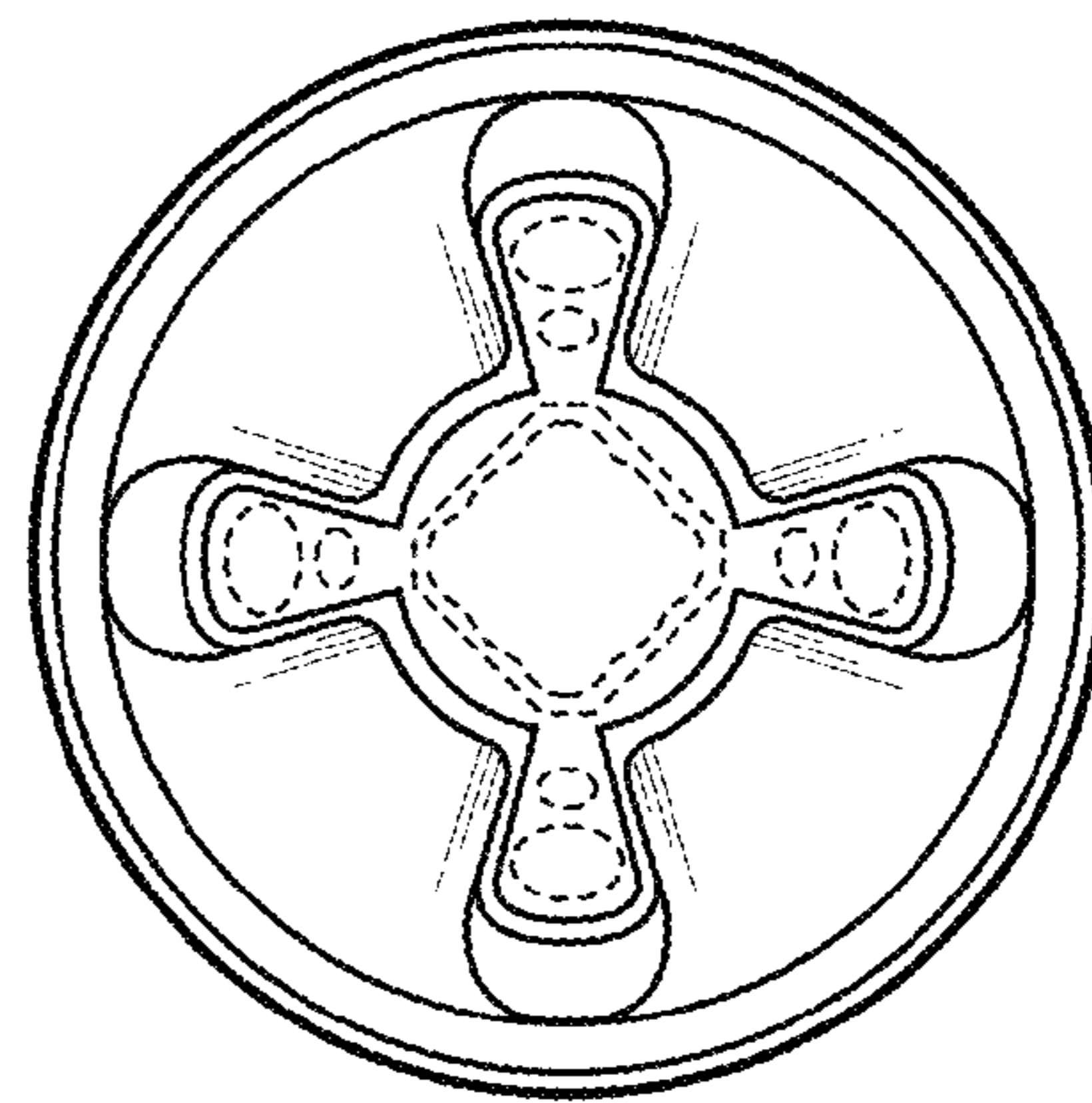
### U.S. PATENT DOCUMENTS

2010/0206963	A1*	8/2010	Huang	.....	239/290
2010/0224700	A1*	9/2010	Woodgate et al.	.....	239/344
2012/0318890	A1*	12/2012	Hopper	.....	239/290
2007/0221762	A1*	9/2007	Micheli et al.	.....	239/597
2007/0262171	A1*	11/2007	Wong	.....	239/296

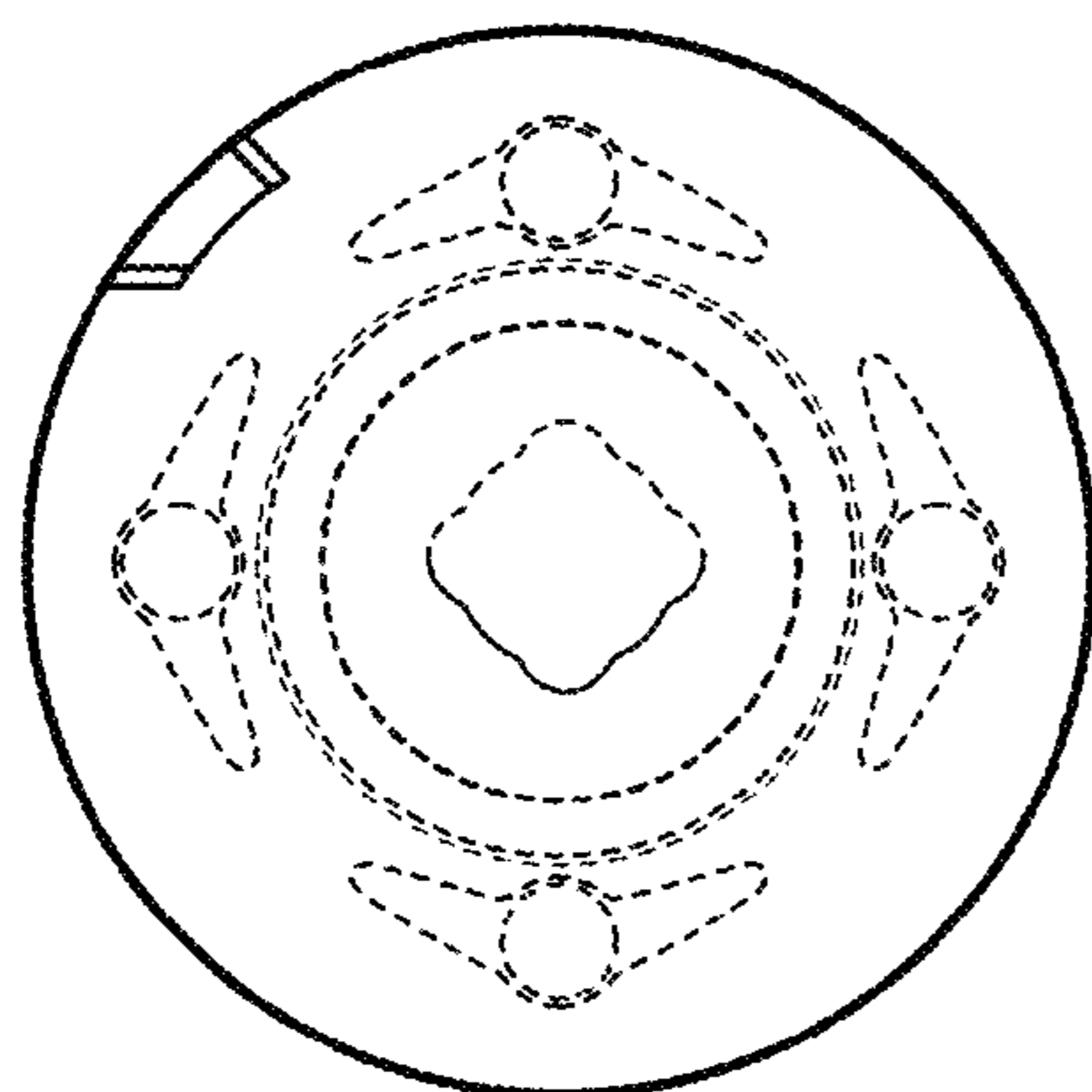
\* cited by examiner



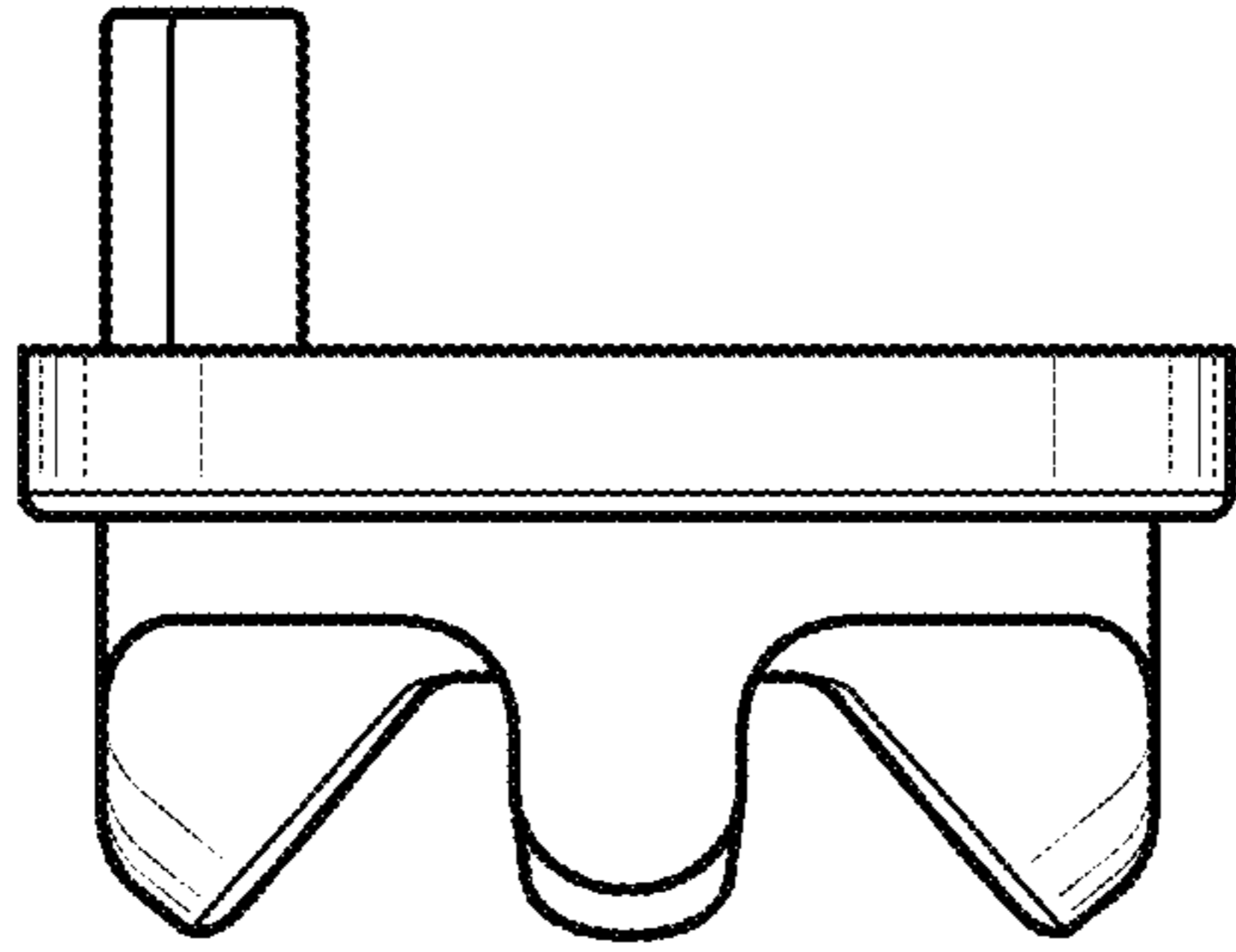
*Fig. 1*



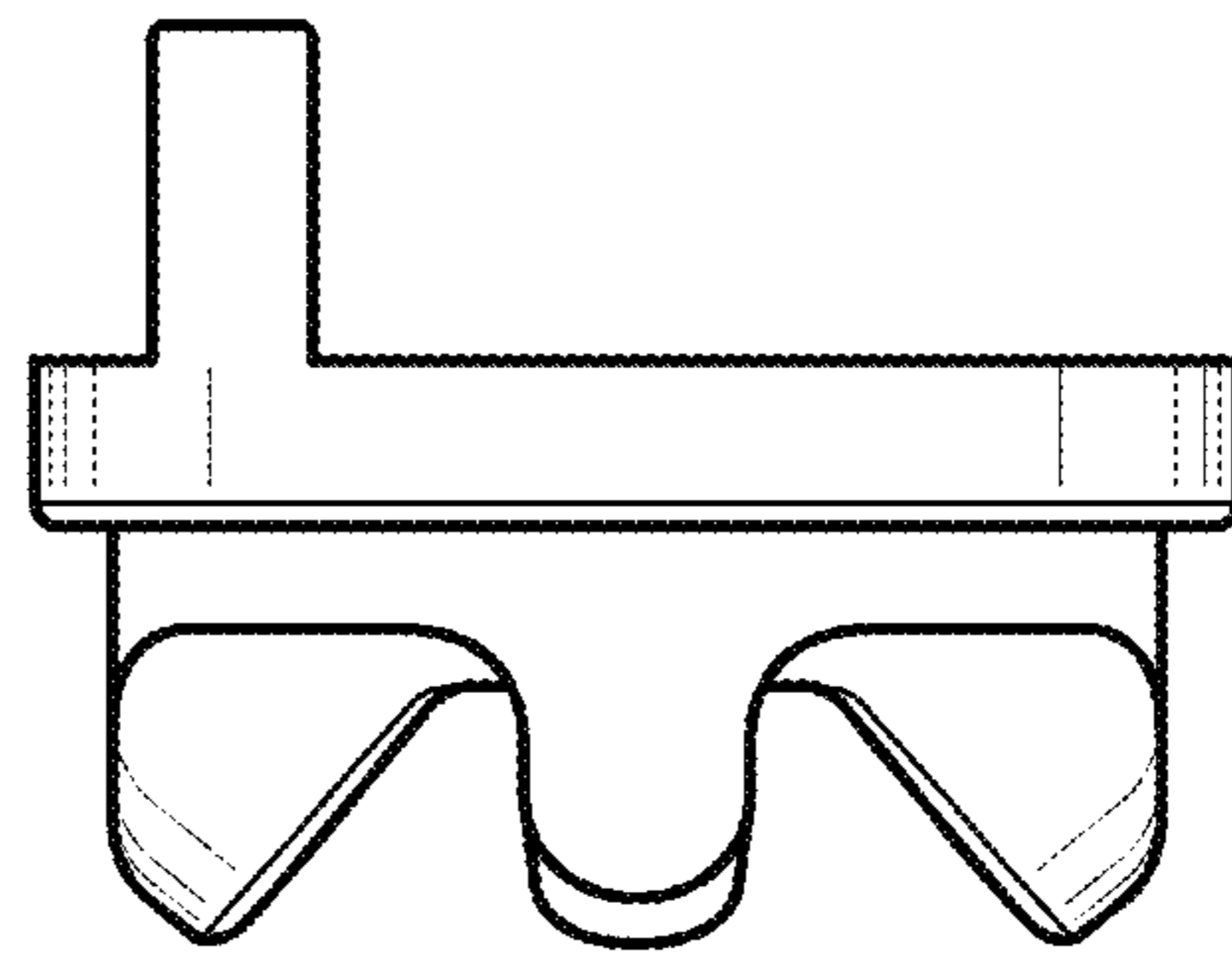
*Fig. 2*



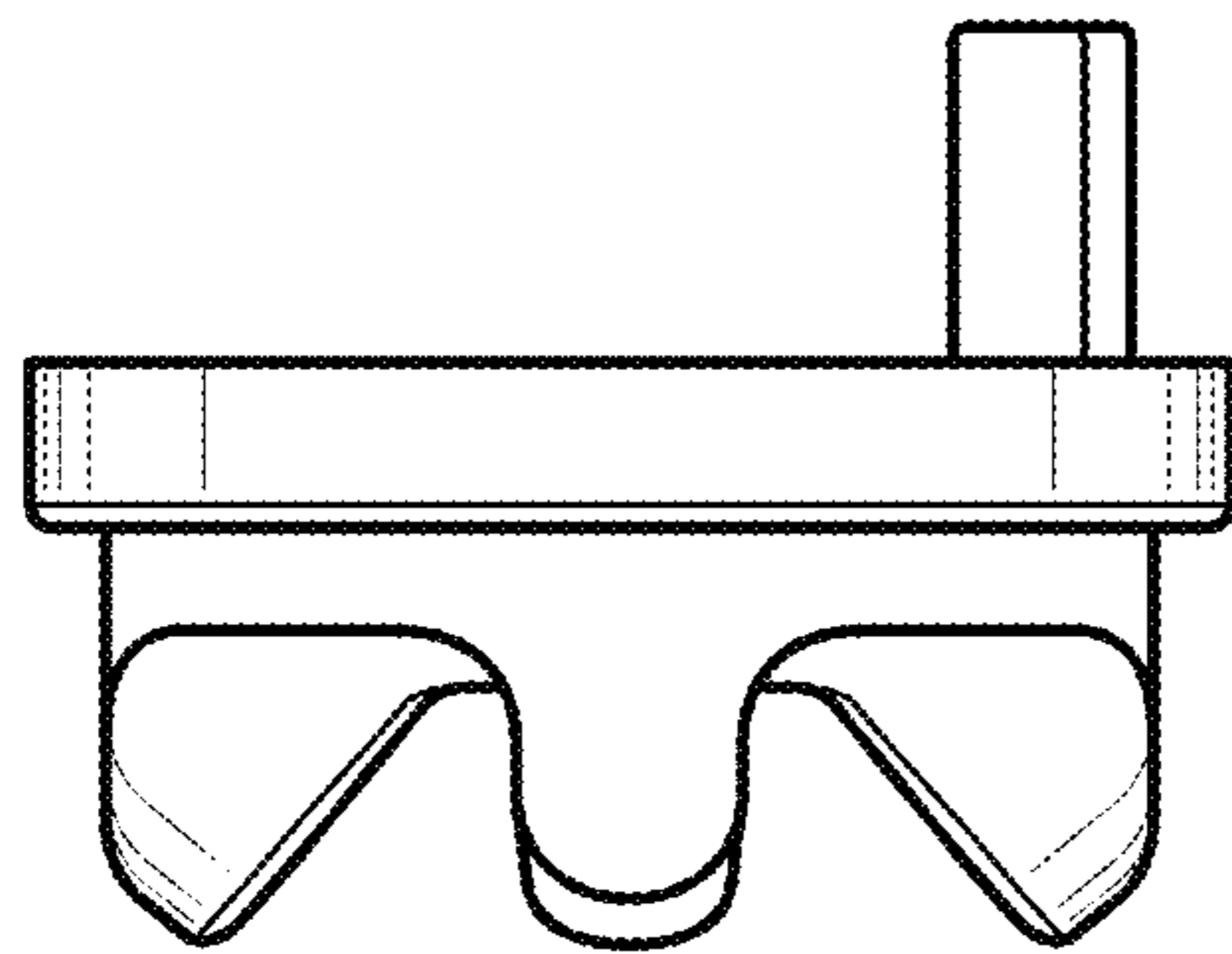
*Fig. 3*



*Fig. 4*



*Fig. 5*



*Fig. 6*