



US00D742014S

(12) **United States Design Patent**
Yabe et al.

(10) **Patent No.:** **US D742,014 S**
(45) **Date of Patent:** **** Oct. 27, 2015**

- (54) **PEDESTAL FOR HANDHELD SLIT LAMP**
- (71) Applicant: **KOWA COMPANY, LTD.**, Aichi-ken (JP)
- (72) Inventors: **Shouta Yabe**, Tokyo (JP); **Yuuki Arai**, Tokyo (JP); **Naoki Kambe**, Kanagawa (JP)
- (73) Assignee: **KOWA COMPANY, LTD.**, Aichi-Ken (JP)
- (**) Term: **14 Years**
- (21) Appl. No.: **29/483,212**
- (22) Filed: **Feb. 26, 2014**

- (30) **Foreign Application Priority Data**
Sep. 4, 2013 (JP) 2014-002577
- (51) **LOC (10) Cl.** **24-00**
- (52) **U.S. Cl.**
USPC **D24/172**
- (58) **Field of Classification Search**
USPC D24/172, 115, 120, 189, 190, 177;
351/245; 604/291; 602/74, 41;
D16/312, 101; 128/858
See application file for complete search history.

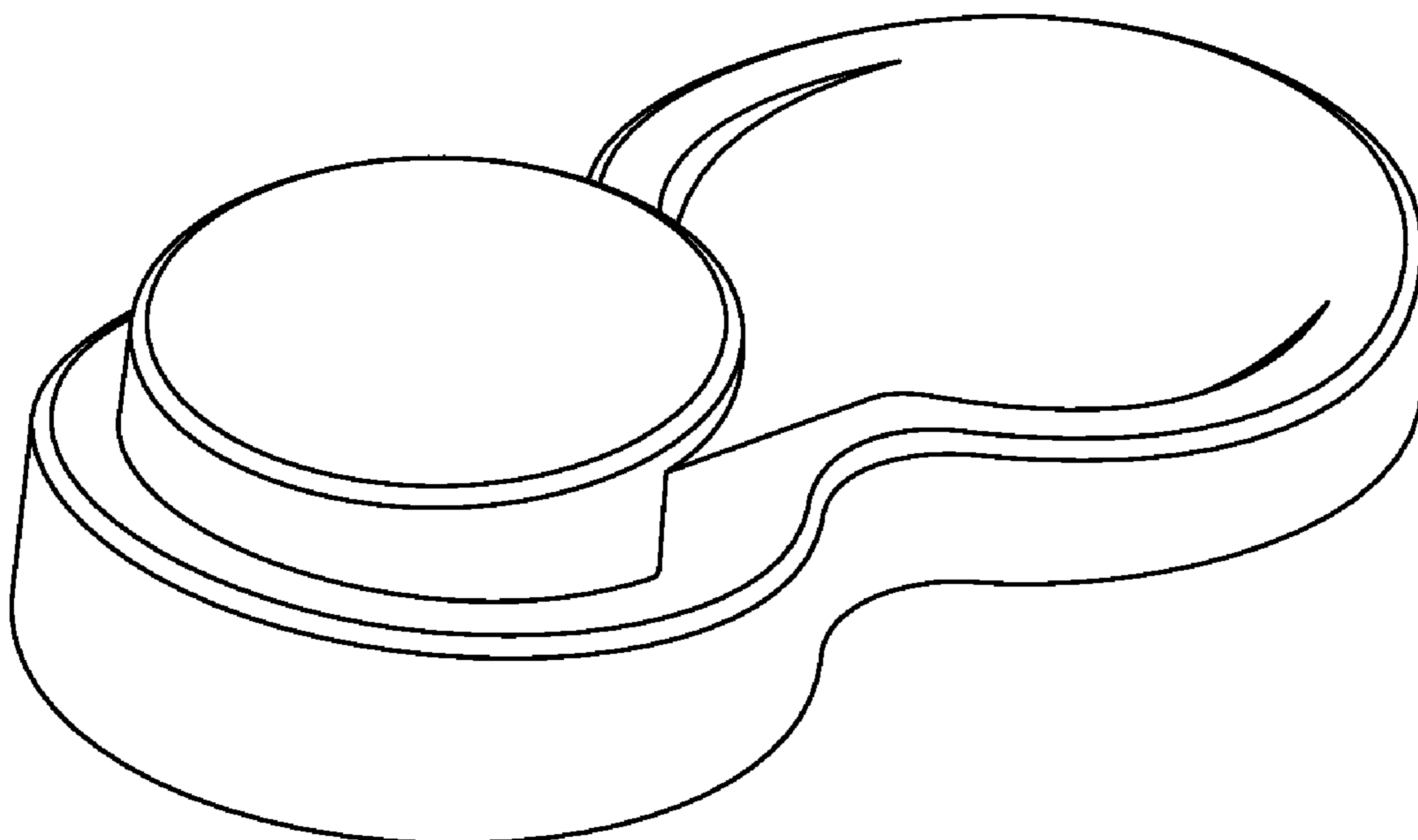
- (56) **References Cited**
U.S. PATENT DOCUMENTS
D425,991 S * 5/2000 Smith et al. D24/172
D504,515 S * 4/2005 Smith D24/172
D506,257 S * 6/2005 Smith D24/172
D571,918 S * 6/2008 Mordaunt et al. D24/172
7,401,921 B2 * 7/2008 Baker et al. 351/245
D614,774 S * 4/2010 Gausmann et al. D24/172
D621,050 S * 8/2010 Jamison et al. D24/177

* cited by examiner
Primary Examiner — Holly Baynham
Assistant Examiner — Rhea Shields
(74) *Attorney, Agent, or Firm* — Bacon & Thomas, PLLC

(57) **CLAIM**
The ornamental design for pedestal for handheld slit lamp, as shown and described.

DESCRIPTION
FIG. 1 is a perspective view of the invention.
FIG. 2 is a front view of the invention.
FIG. 3 is a rear view of the invention.
FIG. 4 is a top plan view of the invention.
FIG. 5 is a bottom plan view of the invention.
FIG. 6 is a right side view of the invention.
FIG. 7 is a left side view of the invention; and,
FIG. 8 is a cross sectional view of the invention along line 8-8 of FIG. 4.
In the drawings, the broken lines depict unclaimed subject matter only and form no part of the claimed design.

1 Claim, 3 Drawing Sheets



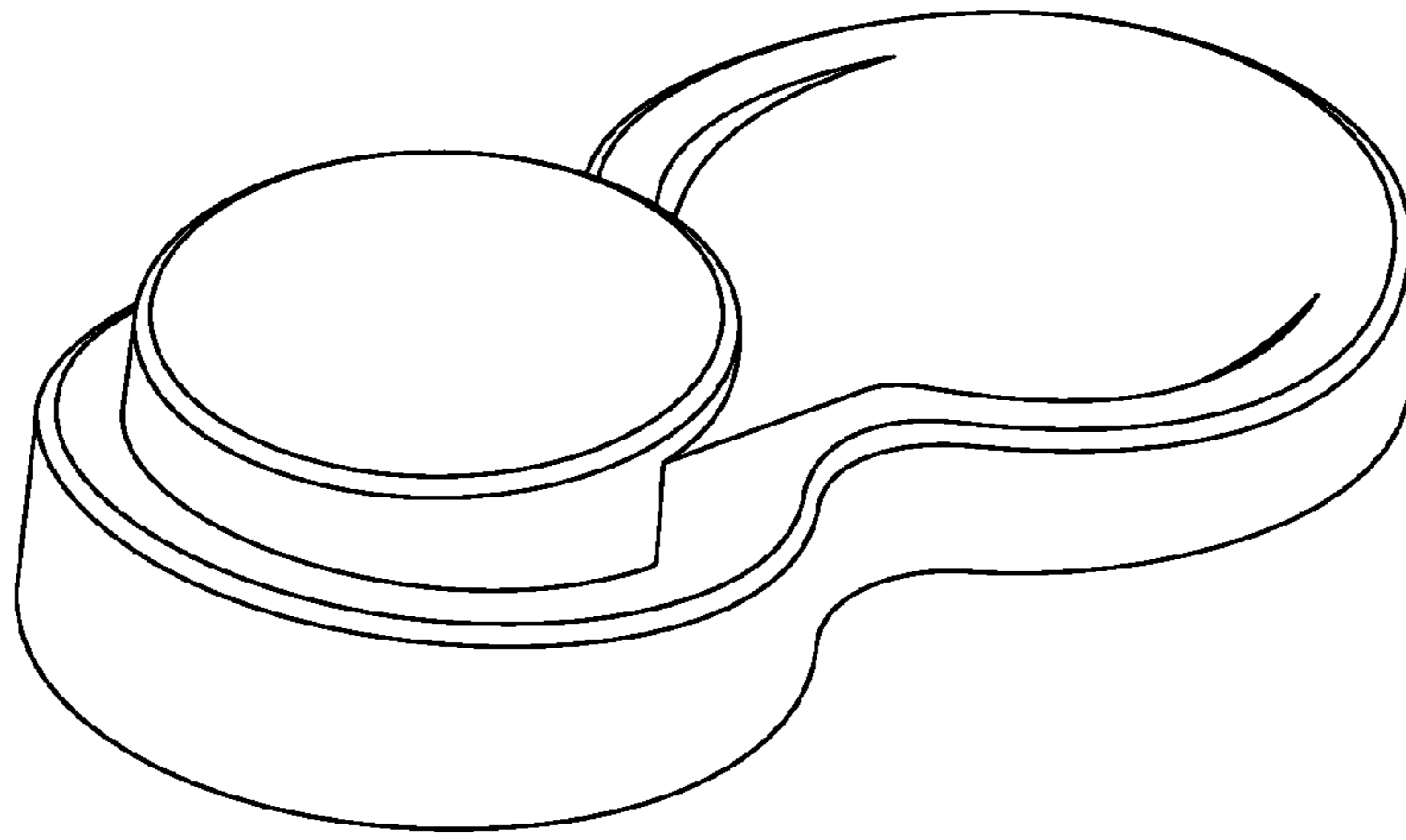


FIG. 1

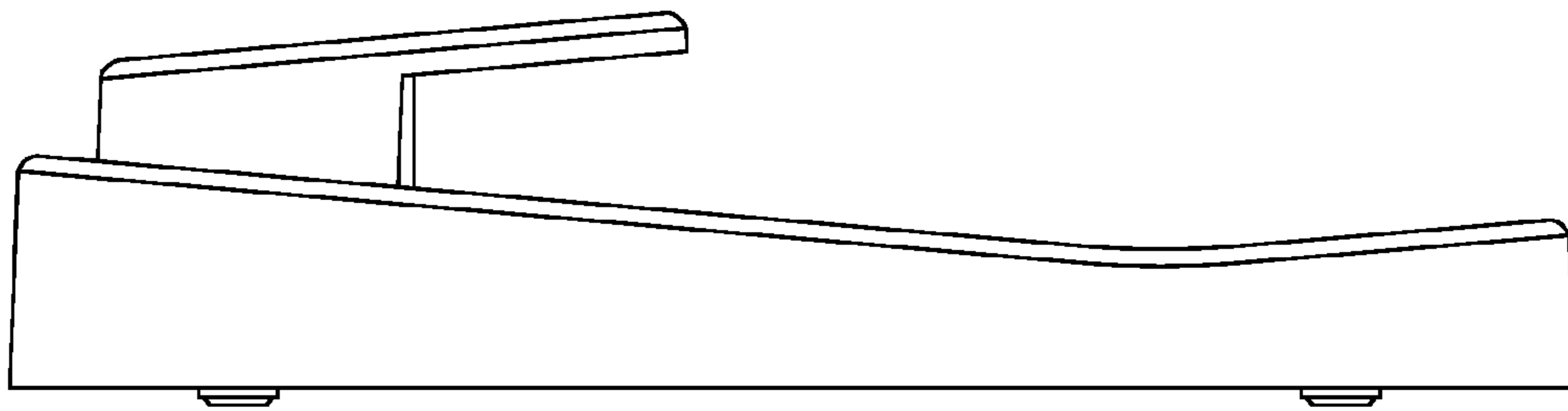


FIG. 2

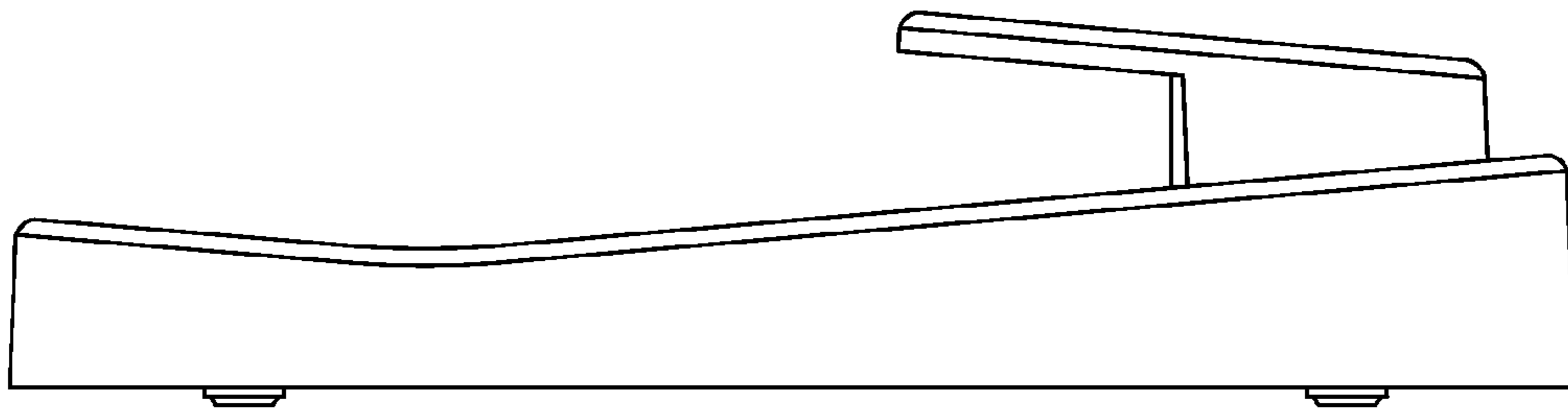


FIG. 3

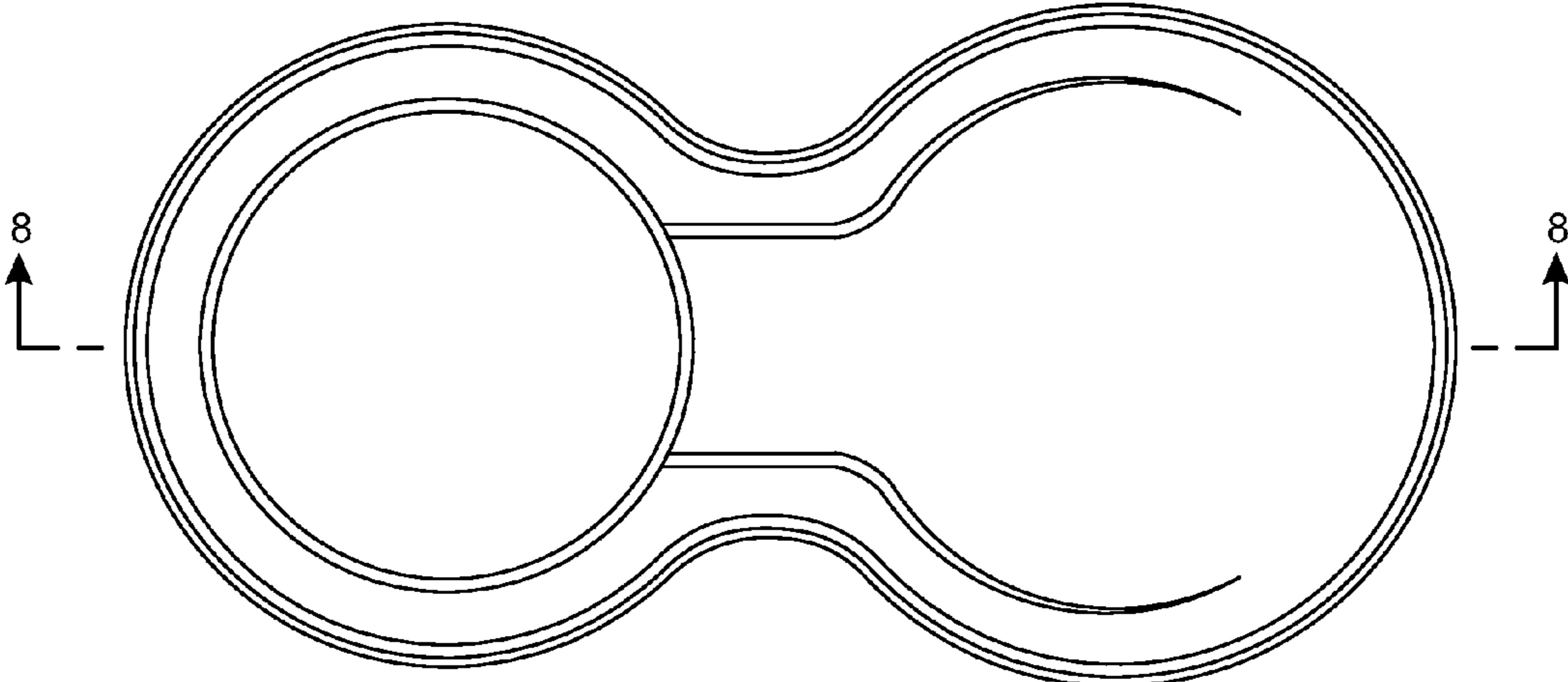


FIG. 4

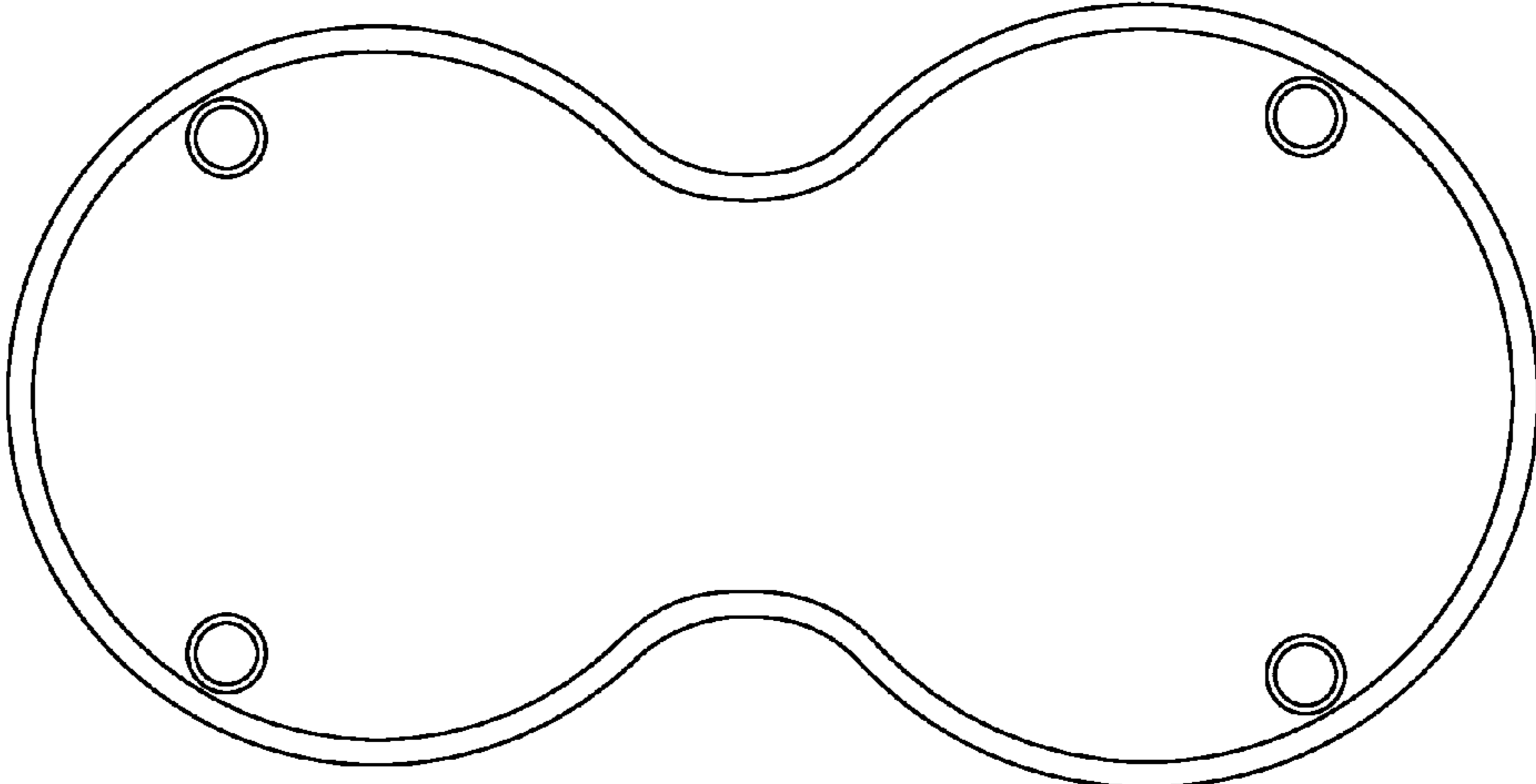


FIG. 5

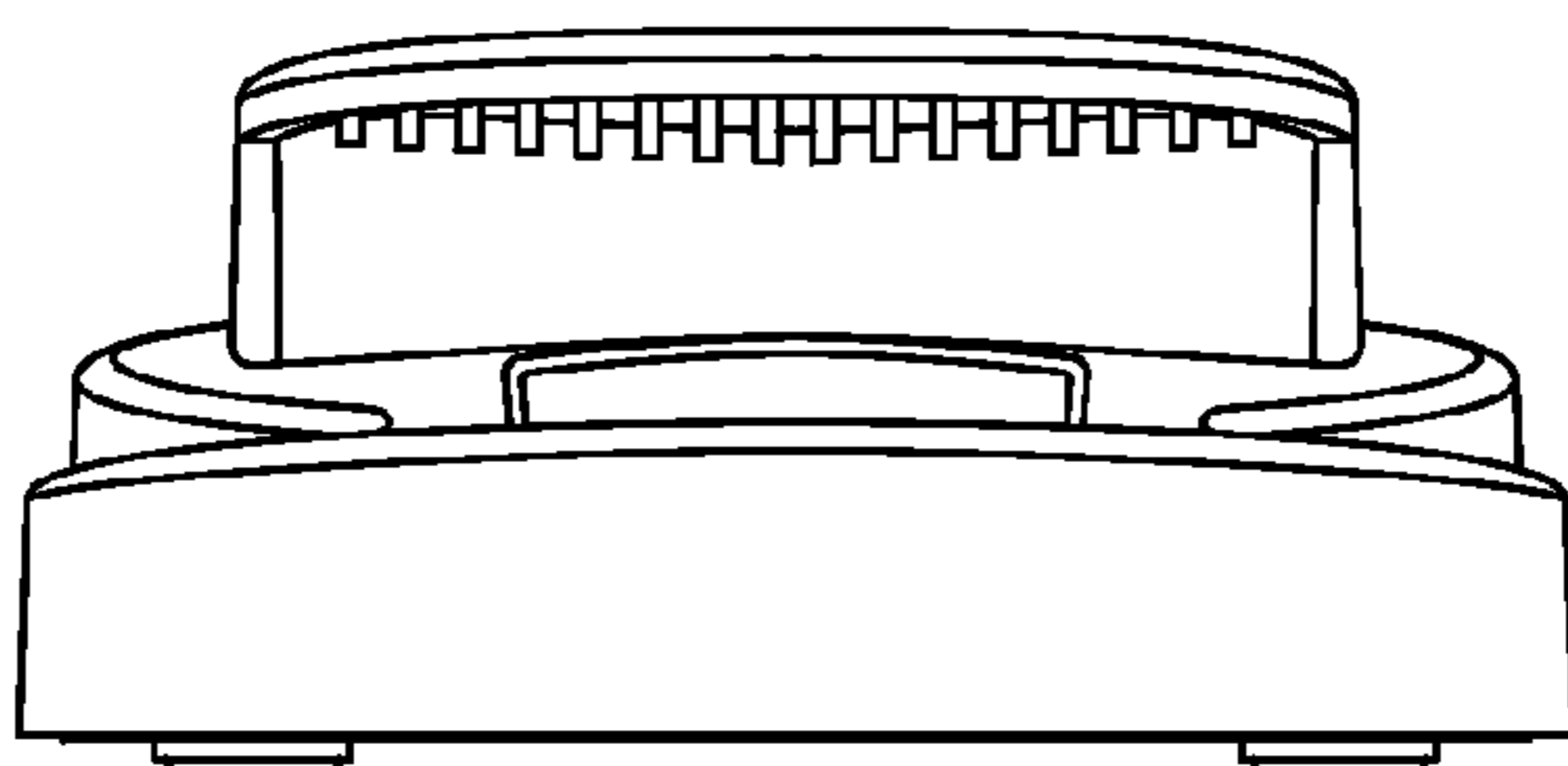


FIG. 6

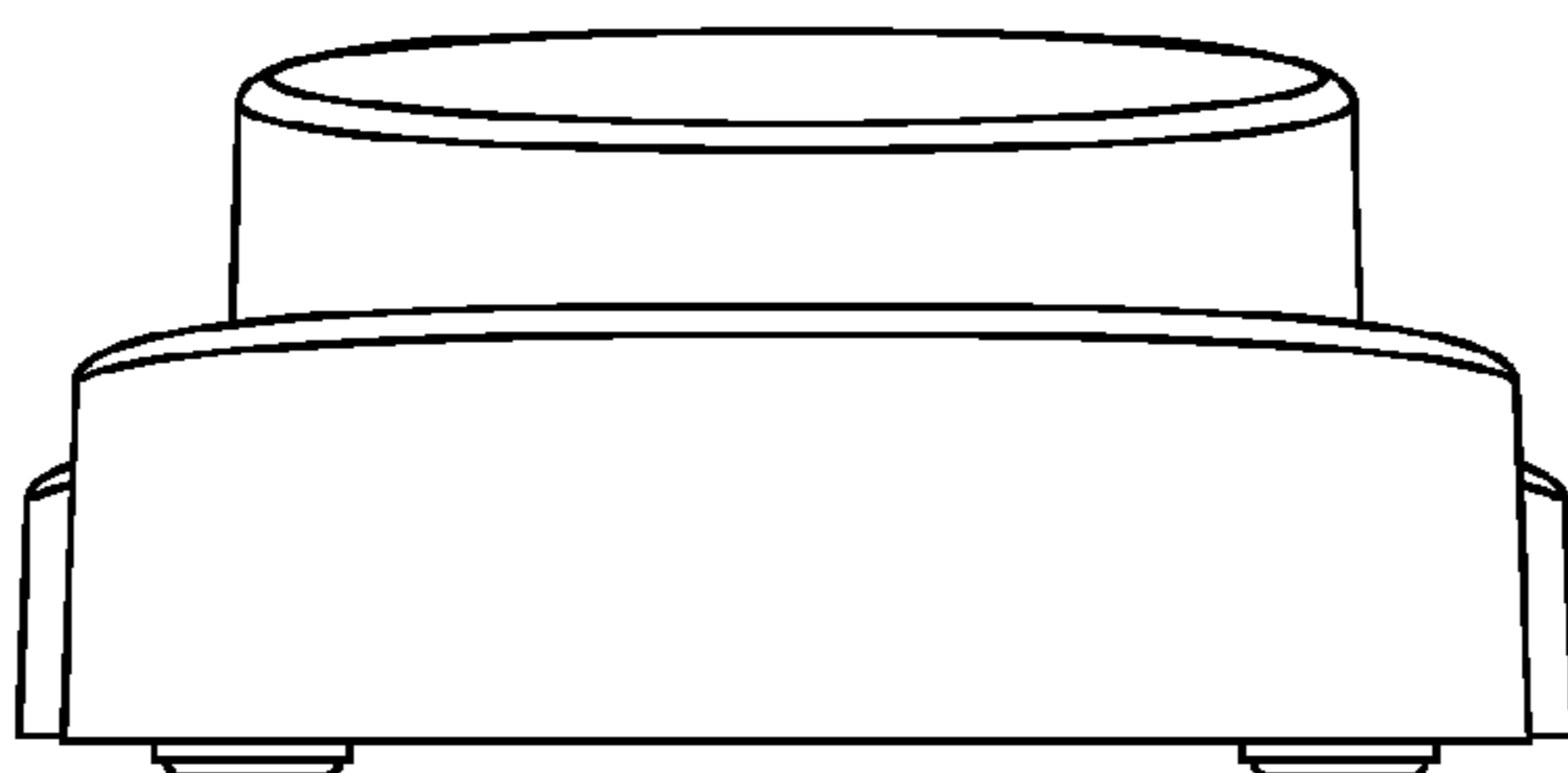


FIG. 7

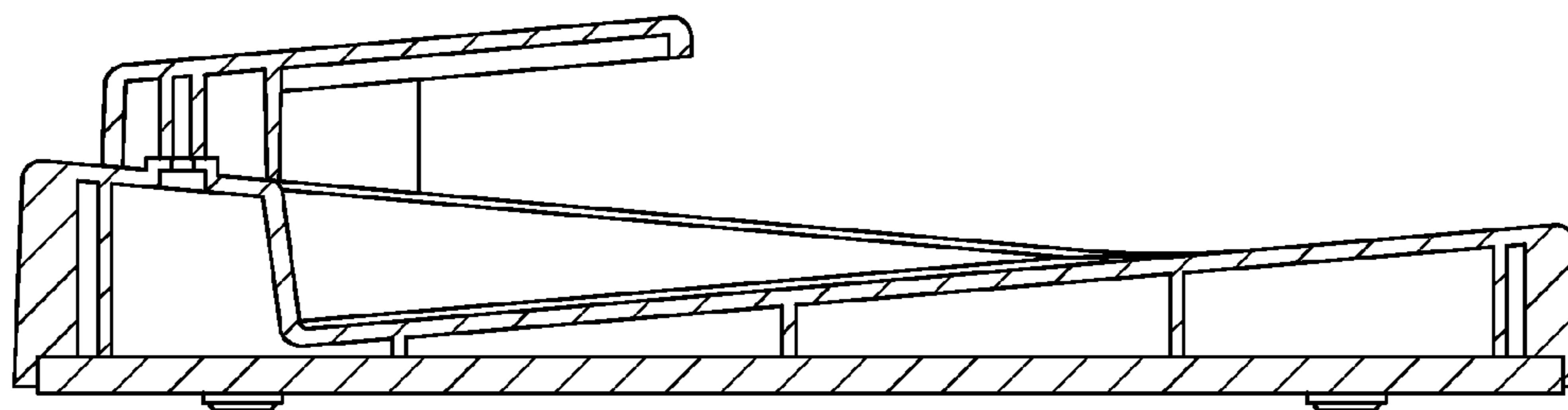


FIG. 8