

US00D742013S

(12) **United States Design Patent**  
**Helgeson et al.**

(10) **Patent No.:** **US D742,013 S**  
(45) **Date of Patent:** **\*\* Oct. 27, 2015**

- (54) **AIR PULSATING GENERATOR**
- (71) Applicant: **Electromed, Inc.**, New Prague, MN (US)
- (72) Inventors: **Lonnie J. Helgeson**, New Prague, MN (US); **Michael W. Larson**, New Prague, MN (US)
- (73) Assignee: **Electromed, Inc.**, New Prague, MN (US)
- (\*\*) Term: **14 Years**
- (21) Appl. No.: **29/442,949**
- (22) Filed: **Jun. 18, 2013**
- (51) **LOC (10) Cl.** ..... **24-00**
- (52) **U.S. Cl.**  
USPC ..... **D24/164**
- (58) **Field of Classification Search**  
USPC ..... D24/170, 232, 144, 138, 169; D13/112, D13/116; 606/34, 45, 37, 48; 439/489; 700/83; 607/102  
CPC ..... A61B 18/1206; A61B 18/1402; A61B 18/1815; H01R 13/641; G05B 15/02  
See application file for complete search history.

7,131,860	B2 *	11/2006	Sartor et al.	439/489
D547,718	S *	7/2007	Helgeson et al.	D13/112
D550,357	S *	9/2007	Hayamizu	D24/138
D552,241	S *	10/2007	Bromley et al.	D24/170
7,317,954	B2 *	1/2008	McGreevy	700/83
D567,761	S *	4/2008	Waalder et al.	D13/112
D574,323	S *	8/2008	Waalder	D13/112
D681,211	S *	4/2013	Glassett et al.	D24/170
D681,231	S *	4/2013	Steinhauer et al.	D24/232
D687,146	S *	7/2013	Juzkiw et al.	D24/170
D695,407	S *	12/2013	Price et al.	D24/170
D704,839	S *	5/2014	Juzkiw et al.	D24/170
D712,031	S *	8/2014	Feng et al.	D24/144
D712,352	S *	9/2014	George et al.	D13/112
D712,353	S *	9/2014	George et al.	D13/112
D712,833	S *	9/2014	George et al.	D13/112
D715,932	S *	10/2014	Mirrer et al.	D24/138
D716,470	S *	10/2014	Nelsen	D24/232
D725,782	S *	3/2015	Gill	D24/169
2004/0015203	A1 *	1/2004	McGraw et al.	607/48
2009/0118802	A1 *	5/2009	Mioduski et al.	607/102
2014/0330266	A1 *	11/2014	Thompson et al.	606/34

\* cited by examiner

*Primary Examiner* — Holly Baynham  
*Assistant Examiner* — Rhea Shields  
(74) *Attorney, Agent, or Firm* — Winthrop & Weinstine, P.A.

(57) **CLAIM**

The ornamental design for an air pulsating generator, as shown and described.

**DESCRIPTION**

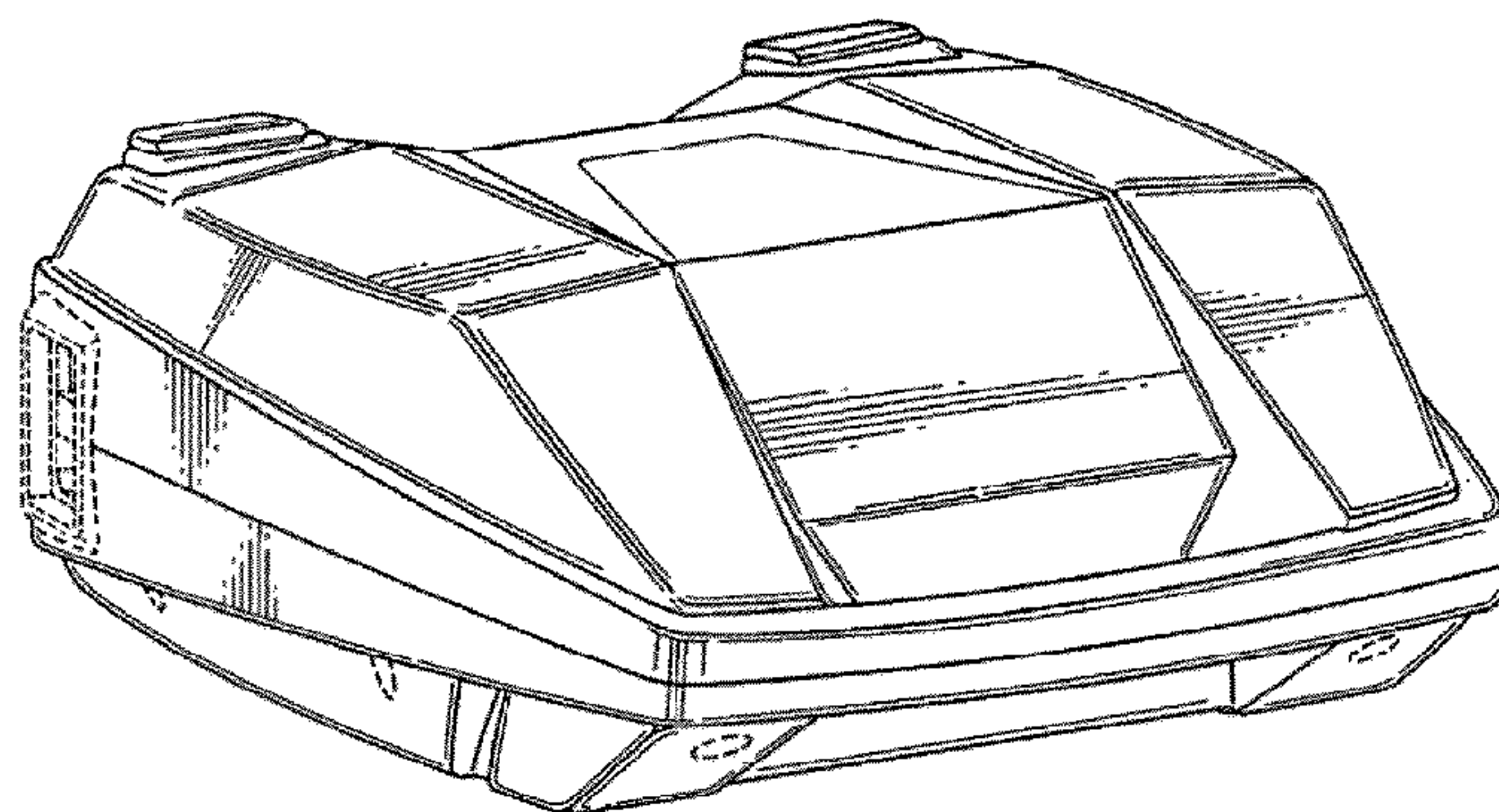
FIG. 1 is a top perspective view of an air pulsating generator showing our design;  
FIG. 2 is a bottom perspective view thereof;  
FIG. 3 is a front elevational view thereof;  
FIG. 4 is a back elevational view thereof;  
FIG. 5 is a top plan view thereof;  
FIG. 6 is a side elevational view of the right side thereof;  
FIG. 7 is a bottom plan view thereof; and,  
FIG. 8 is a side elevational view of the left side thereof.

**1 Claim, 4 Drawing Sheets**

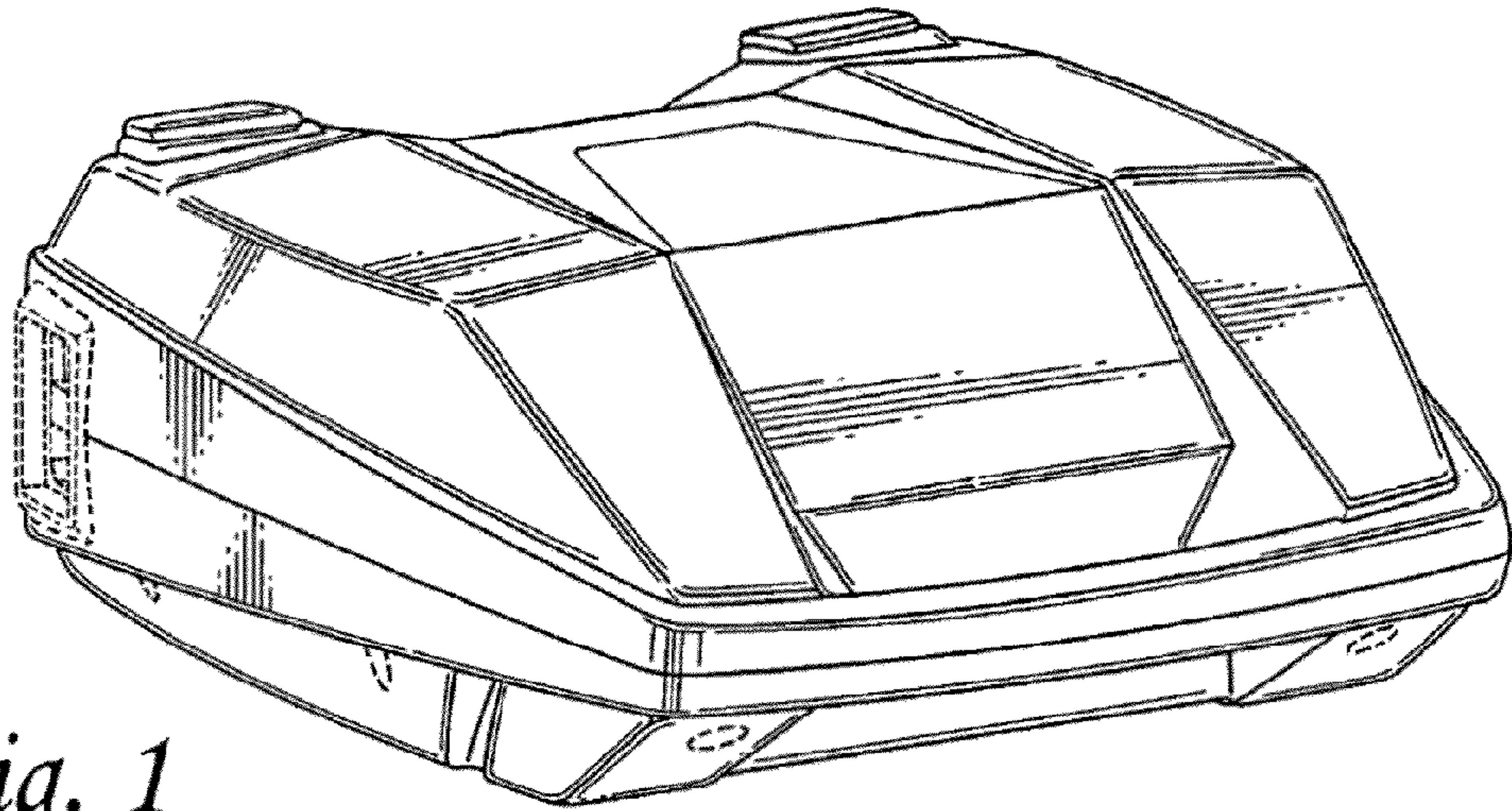
(56) **References Cited**

**U.S. PATENT DOCUMENTS**

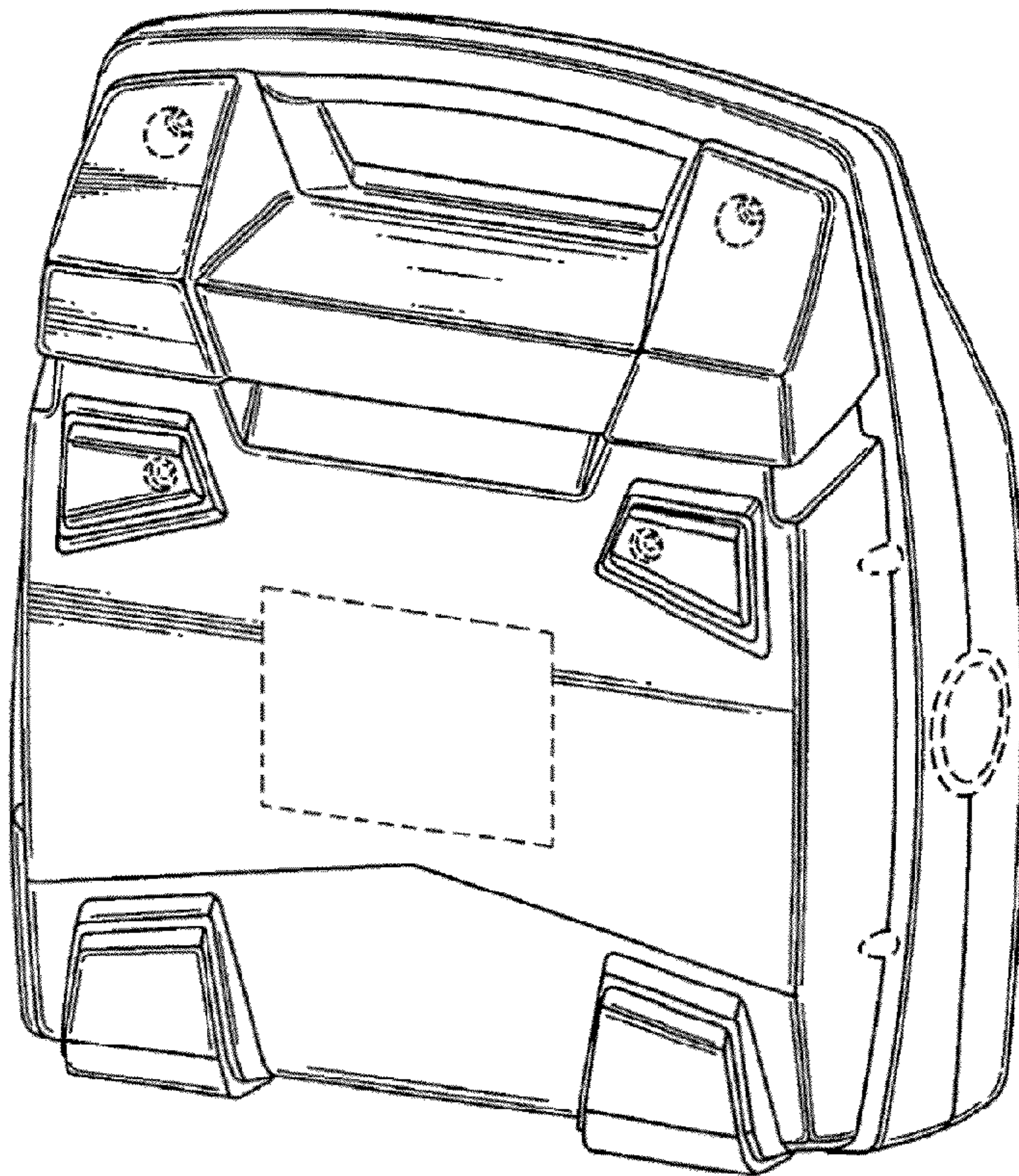
4,593,691	A *	6/1986	Lindstrom et al.	606/45
4,903,696	A *	2/1990	Stasz et al.	606/37
5,041,110	A *	8/1991	Fleenor	606/34
5,160,334	A *	11/1992	Billings et al.	606/34
D351,655	S *	10/1994	Smith et al.	D24/170
D359,353	S *	6/1995	Butter	D24/144
D411,622	S *	6/1999	Hall	D24/170
6,068,627	A *	5/2000	Orszulak et al.	606/34
6,293,941	B1 *	9/2001	Strul et al.	606/34
6,364,877	B1 *	4/2002	Goble et al.	606/34
D477,408	S *	7/2003	Bromley	D24/170
D491,666	S *	6/2004	Kimmell et al.	D24/170





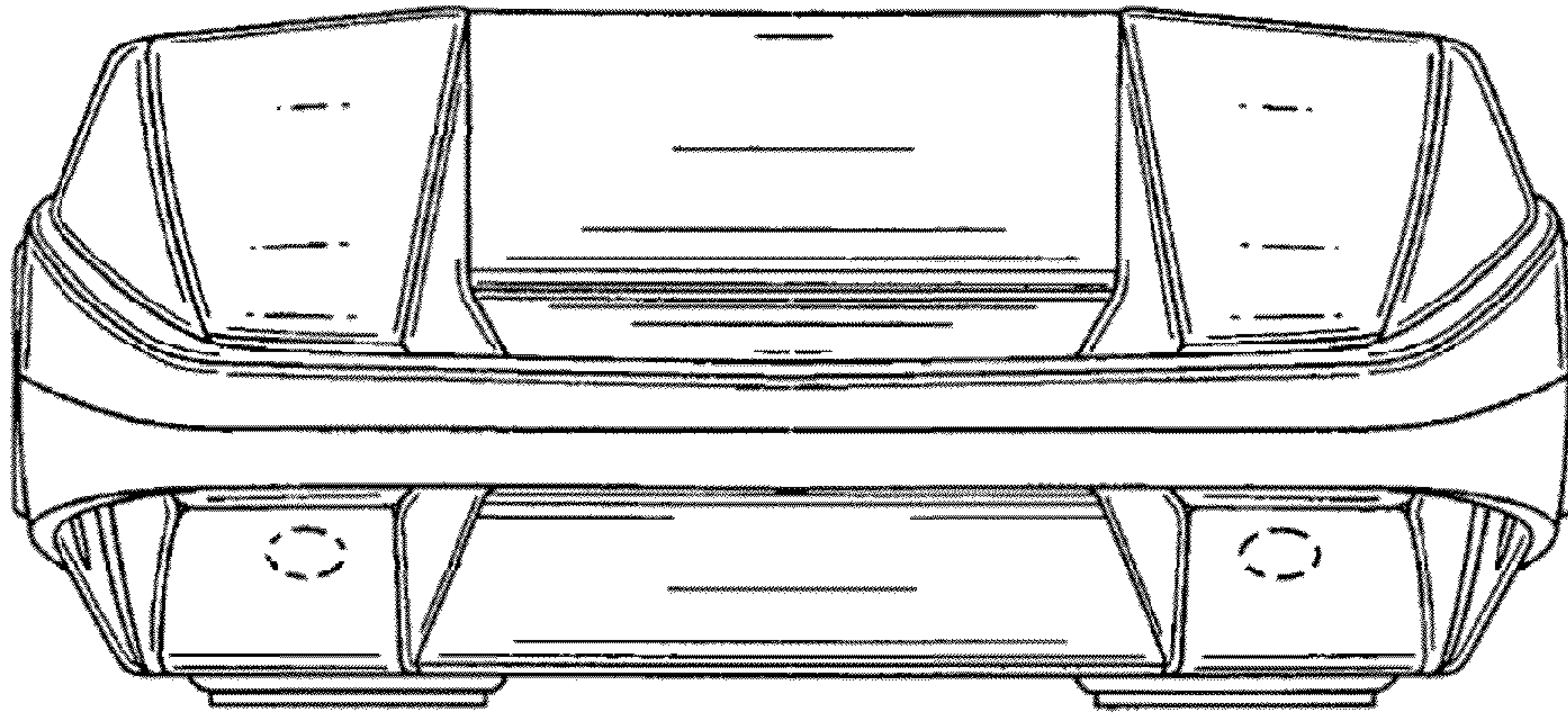


*Fig. 1*

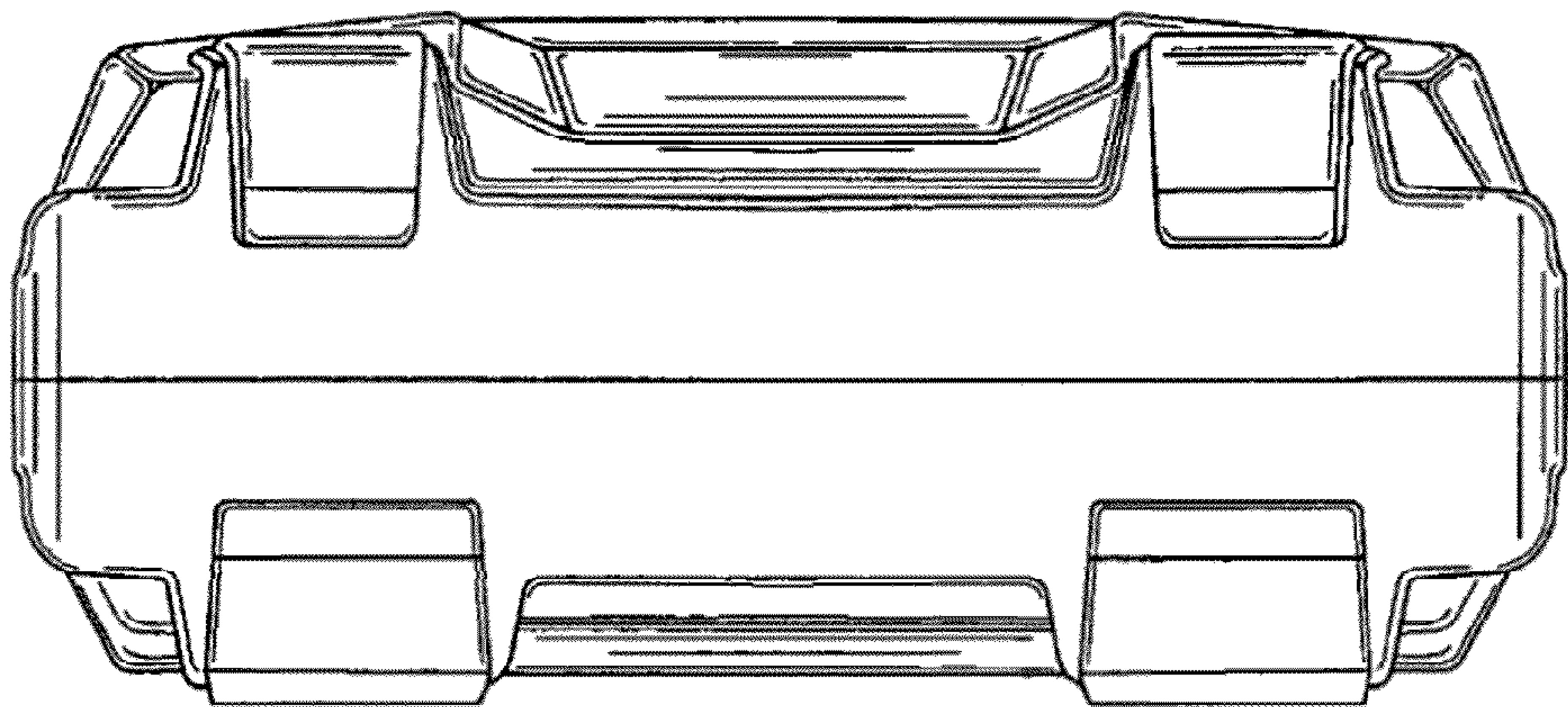


*Fig. 2*

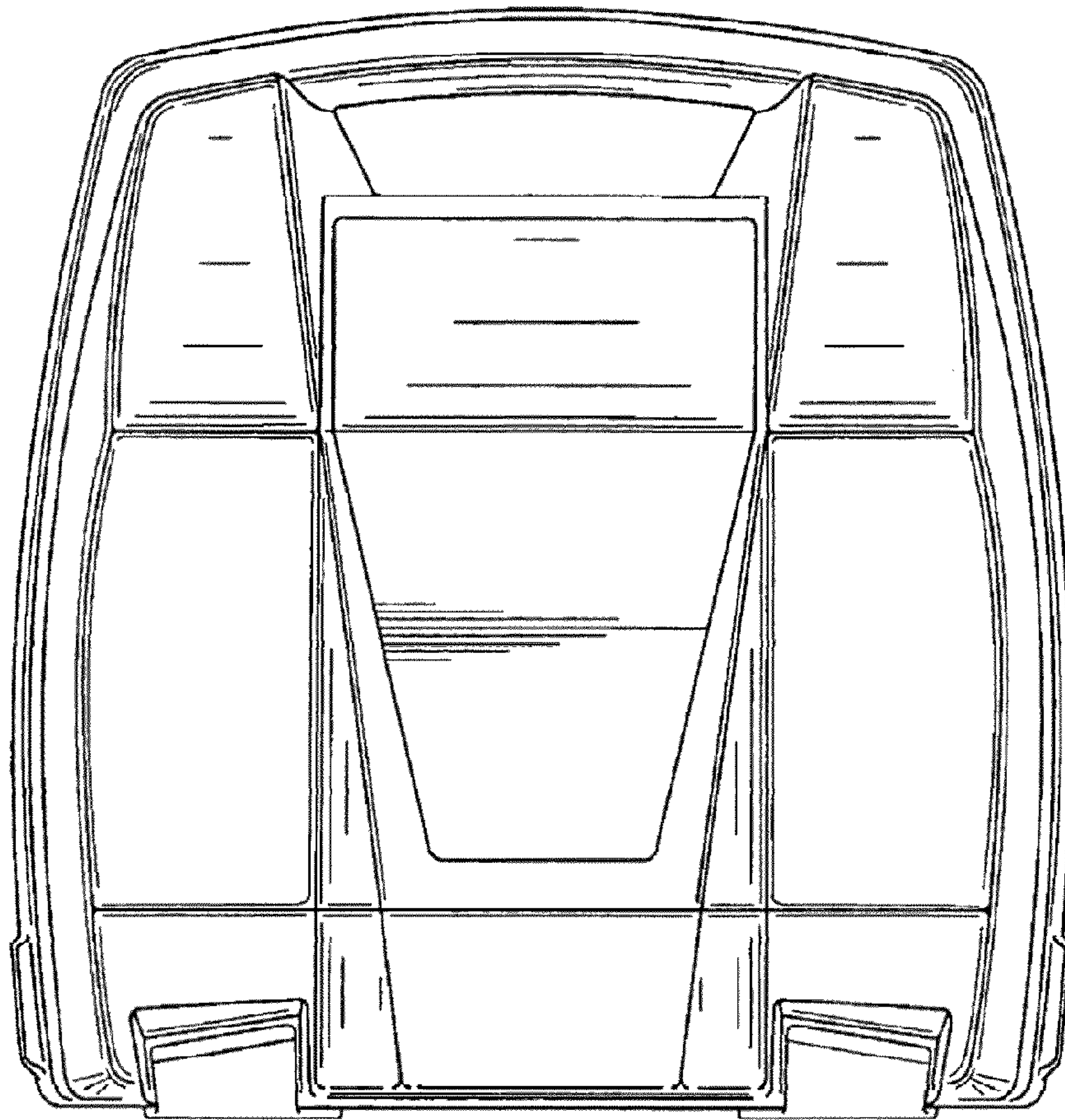
*Fig. 3*



*Fig. 4*

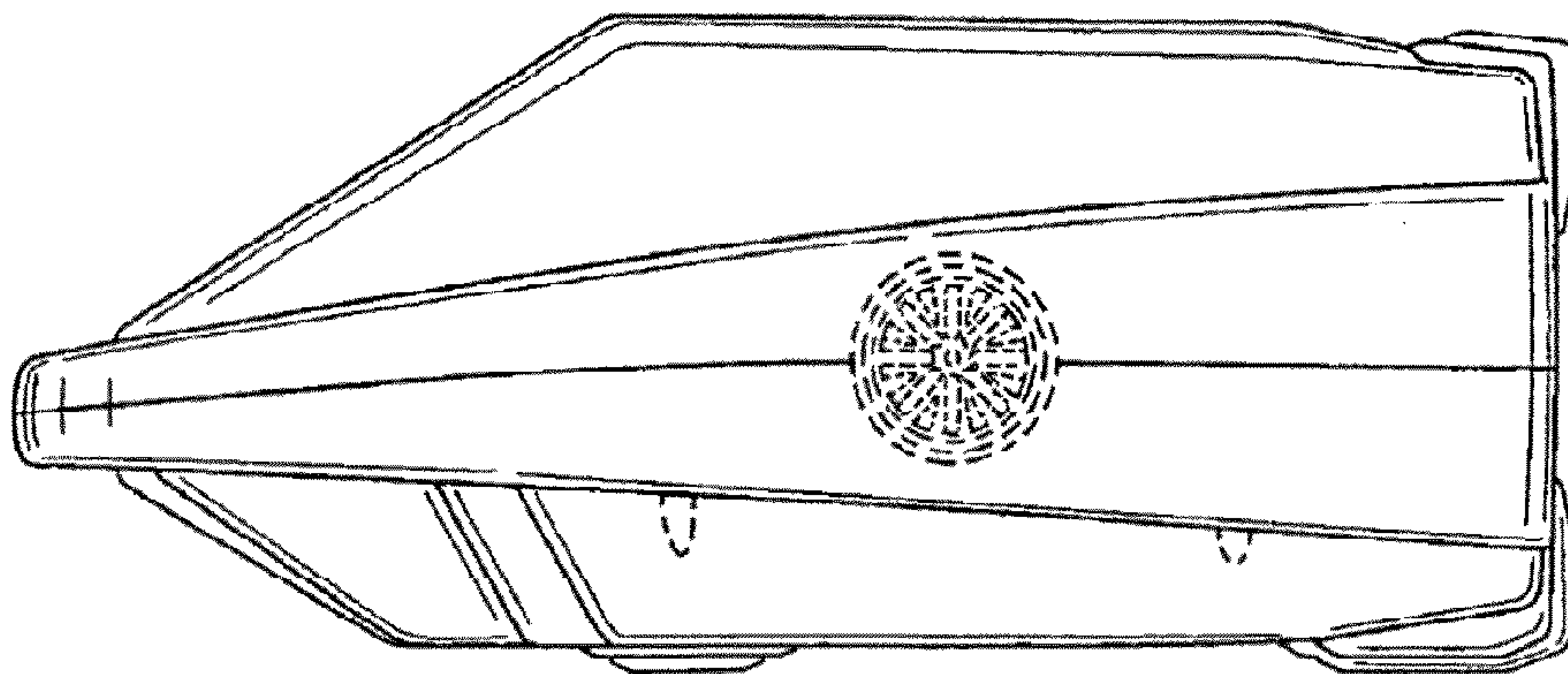




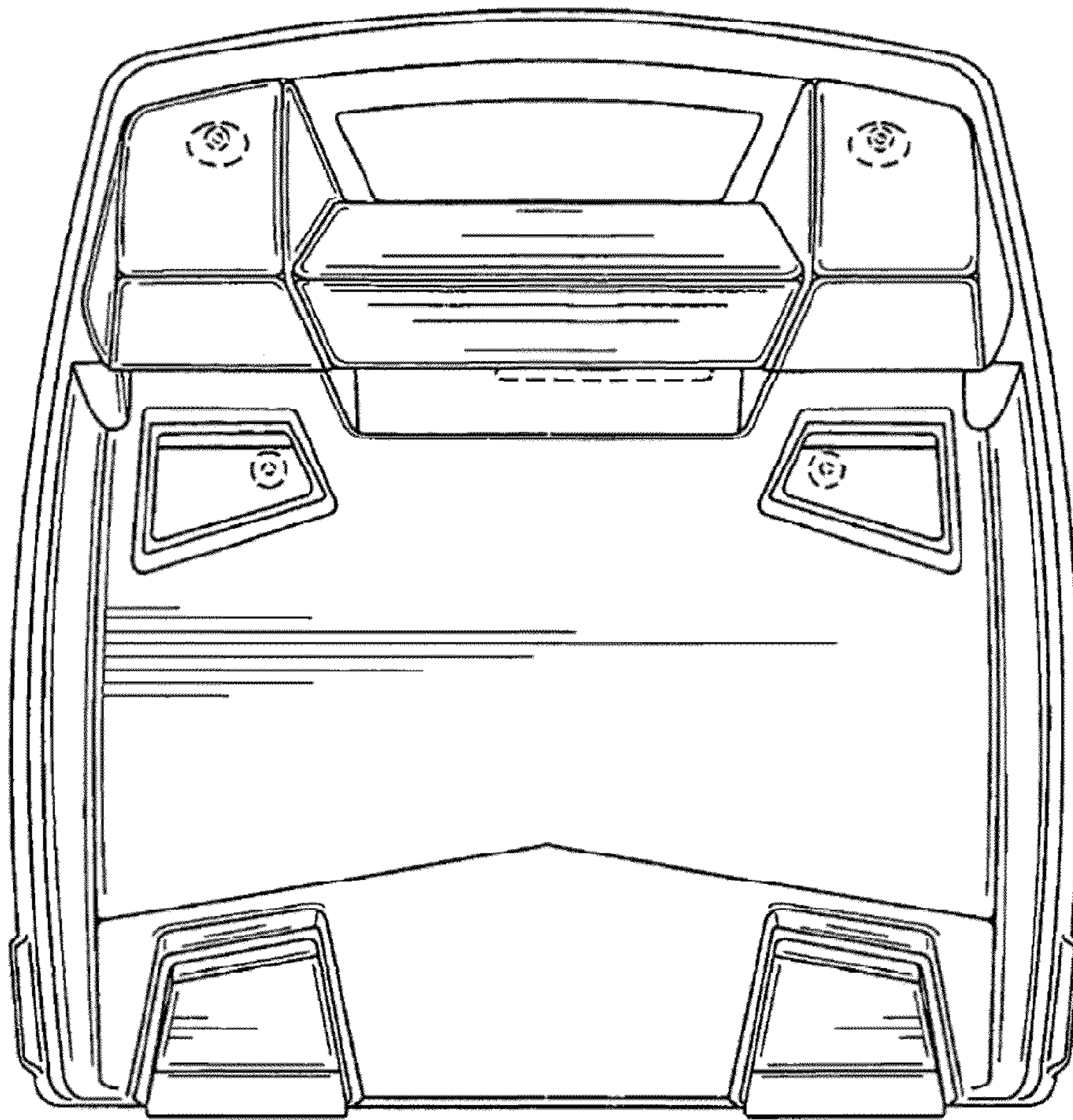


*Fig. 5*

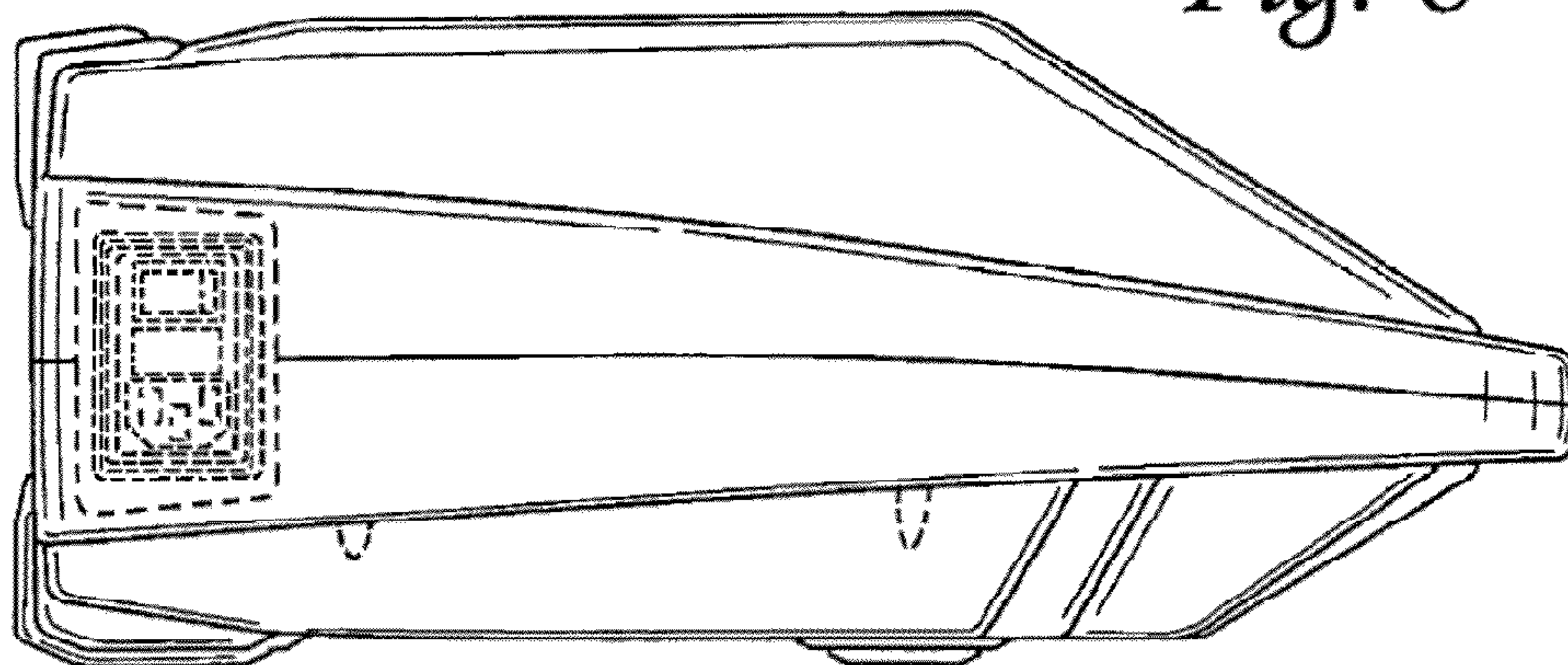
*Fig. 6*







*Fig. 7*



*Fig. 8*