



US00D742012S

(12) **United States Design Patent**
Sul

(10) **Patent No.:** **US D742,012 S**
(45) **Date of Patent:** **** Oct. 27, 2015**

(54) **MIRROR FOR HIGH FREQUENCY COIL OF
MAGNETIC RESONANCE IMAGE DEVICE**

2002/0085666 A1* 7/2002 Molteni et al. 378/38
2015/0031984 A1* 1/2015 Driemel 600/415
2015/0065852 A1* 3/2015 Driemel 600/410

(71) Applicant: **Samsung Electronics Co., Ltd.**,
Suwon-si, Gyeonggi-Do (KR)

FOREIGN PATENT DOCUMENTS

JP 04303424 A * 10/1992 A61B 5/055

(72) Inventor: **Sung Woo Sul**, Yongin-si (KR)

* cited by examiner

(73) Assignee: **SAMSUNG ELECTRONICS CO.,
LTD.** (KR)

Primary Examiner — Anhdao Doan

(74) *Attorney, Agent, or Firm* — Cantor Colburn LLP

(**) Term: **14 Years**

(57) **CLAIM**

(21) Appl. No.: **29/513,475**

I claim, the ornamental design for a mirror for high frequency coil of magnetic resonance image device, as shown and described.

(22) Filed: **Dec. 31, 2014**

DESCRIPTION

(30) **Foreign Application Priority Data**

Jul. 2, 2014 (KR) 30-2014-0032559

FIG. 1 is a perspective view of a mirror for high frequency coil of magnetic resonance image device, showing my new design;

(51) **LOC (10) Cl.** **24-01**

FIG. 2 is a front view thereof;

(52) **U.S. Cl.**

FIG. 3 is a rear view thereof;

USPC **D24/158**

FIG. 4 is a side view thereof;

(58) **Field of Classification Search**

USPC D24/158-161, 185, 186; 378/4, 21-27,
378/38, 40, 102, 196-198; 600/410, 422

FIG. 5 is another side view thereof;

CPC A61B 5/05; A61B 5/055

FIG. 6 is a top plan view thereof;

See application file for complete search history.

FIG. 7 is a bottom plan view thereof;

(56) **References Cited**

FIG. 8 is another perspective view thereof in an alternate configuration;

U.S. PATENT DOCUMENTS

5,150,710 A * 9/1992 Hall et al. 600/422

8,073,526 B2 * 12/2011 Graham et al. 600/411

D686,324 S * 7/2013 Davis et al. D24/158

FIG. 9 is another perspective view thereof in an environment of use; and,

FIG. 10 is another perspective view thereof in an environment of use.

The broken lines in the drawing show unclaimed environment only and form no part of the claimed design.

1 Claim, 10 Drawing Sheets

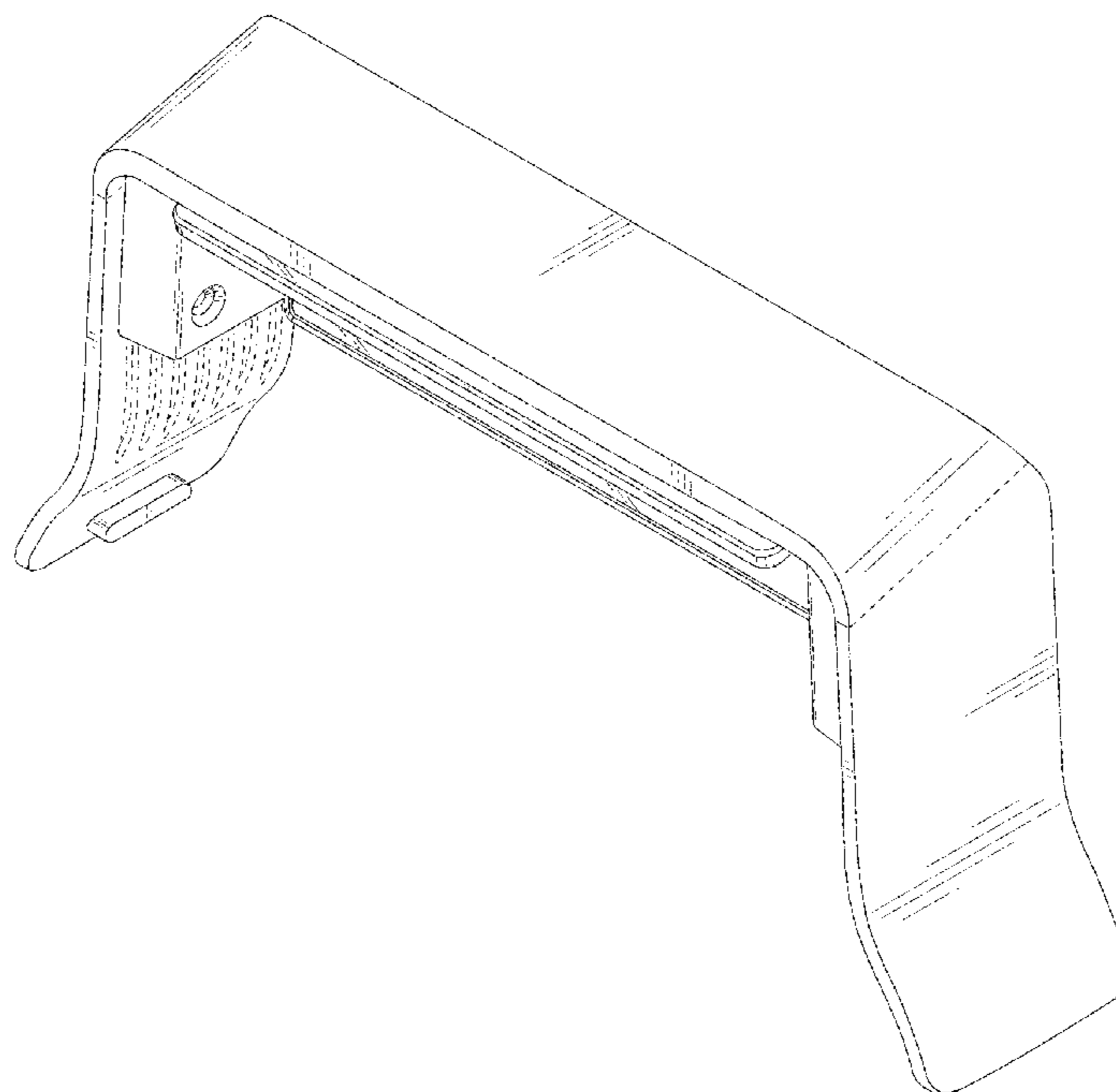


FIG. 1

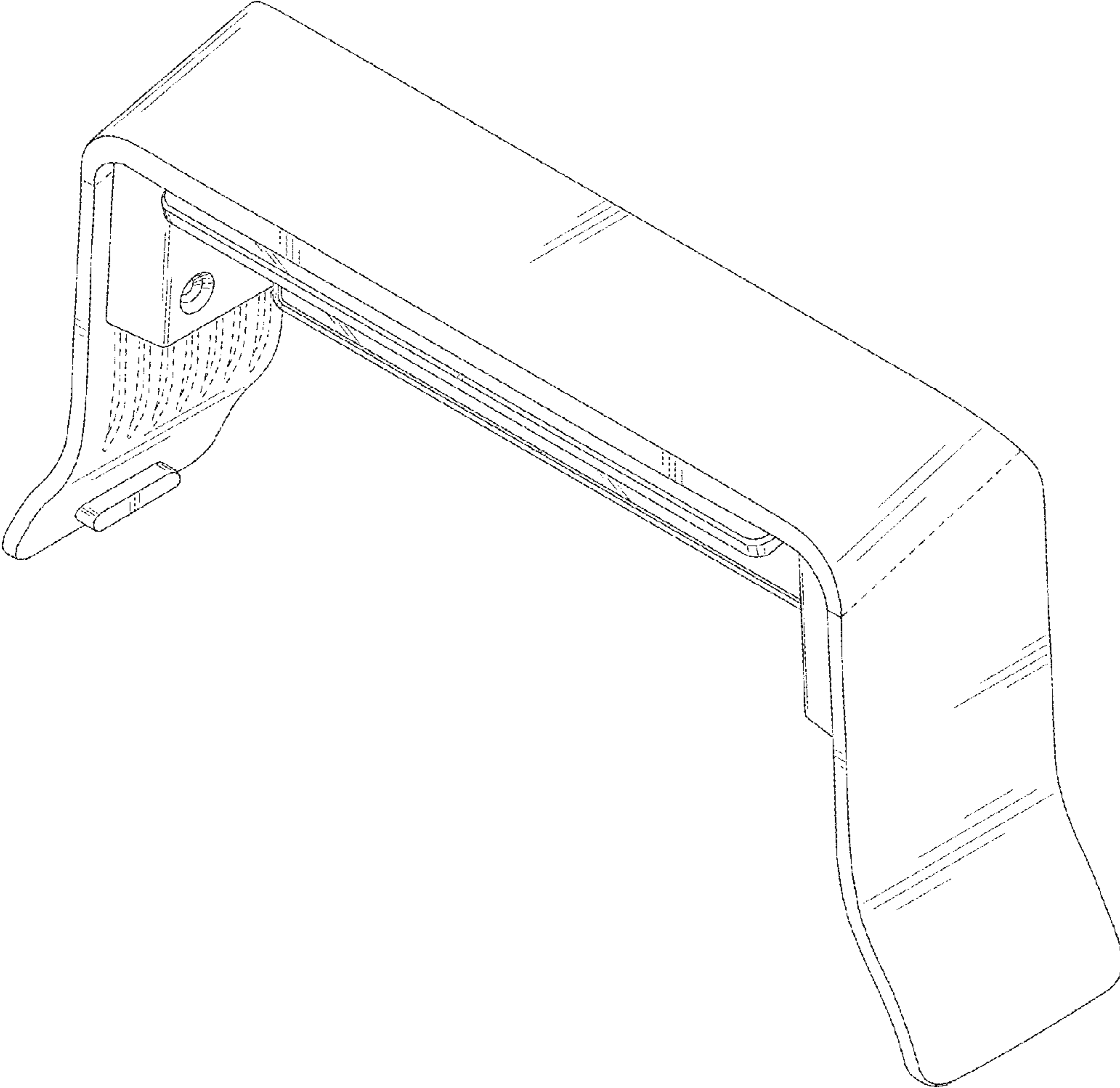


FIG. 2

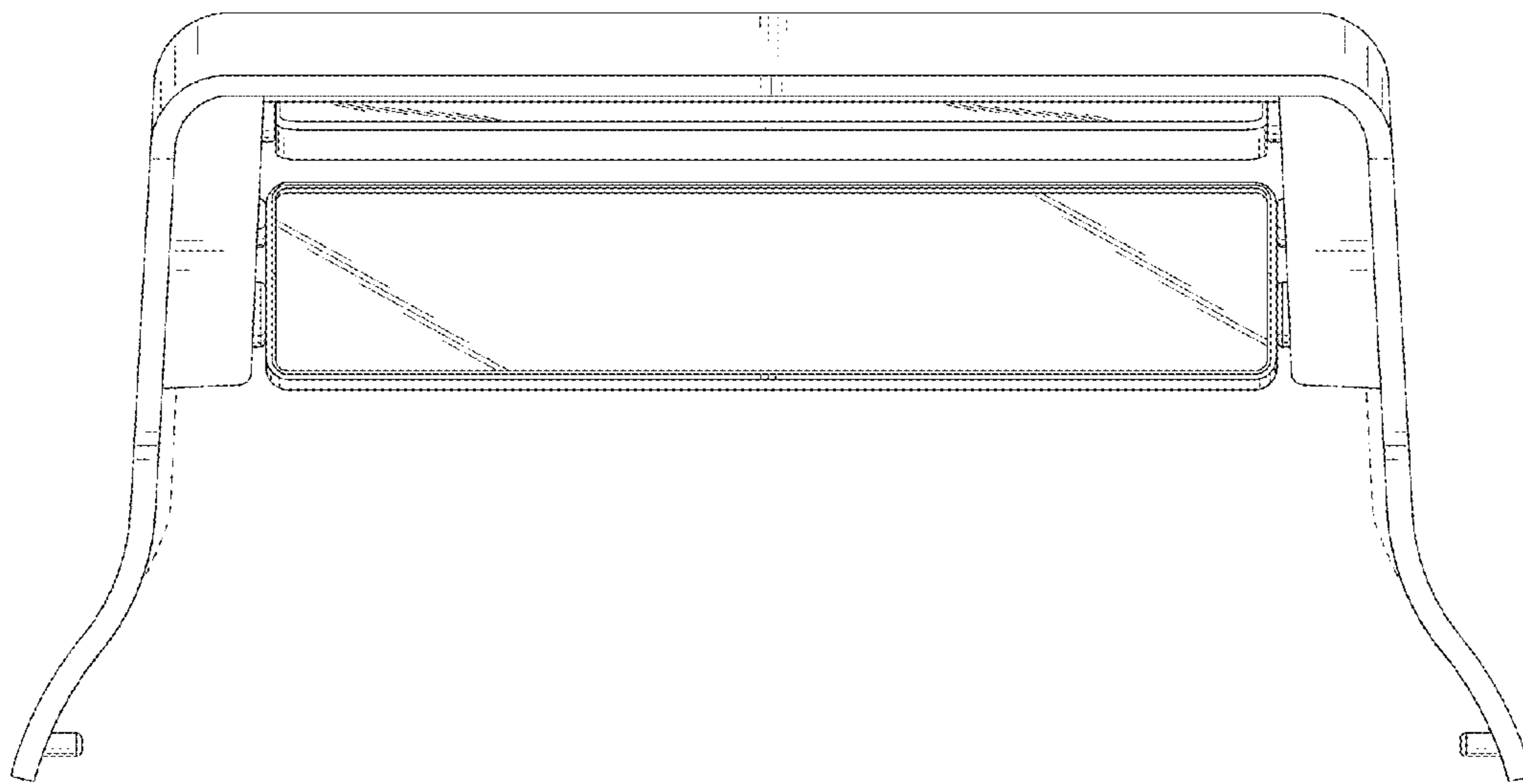


FIG. 3

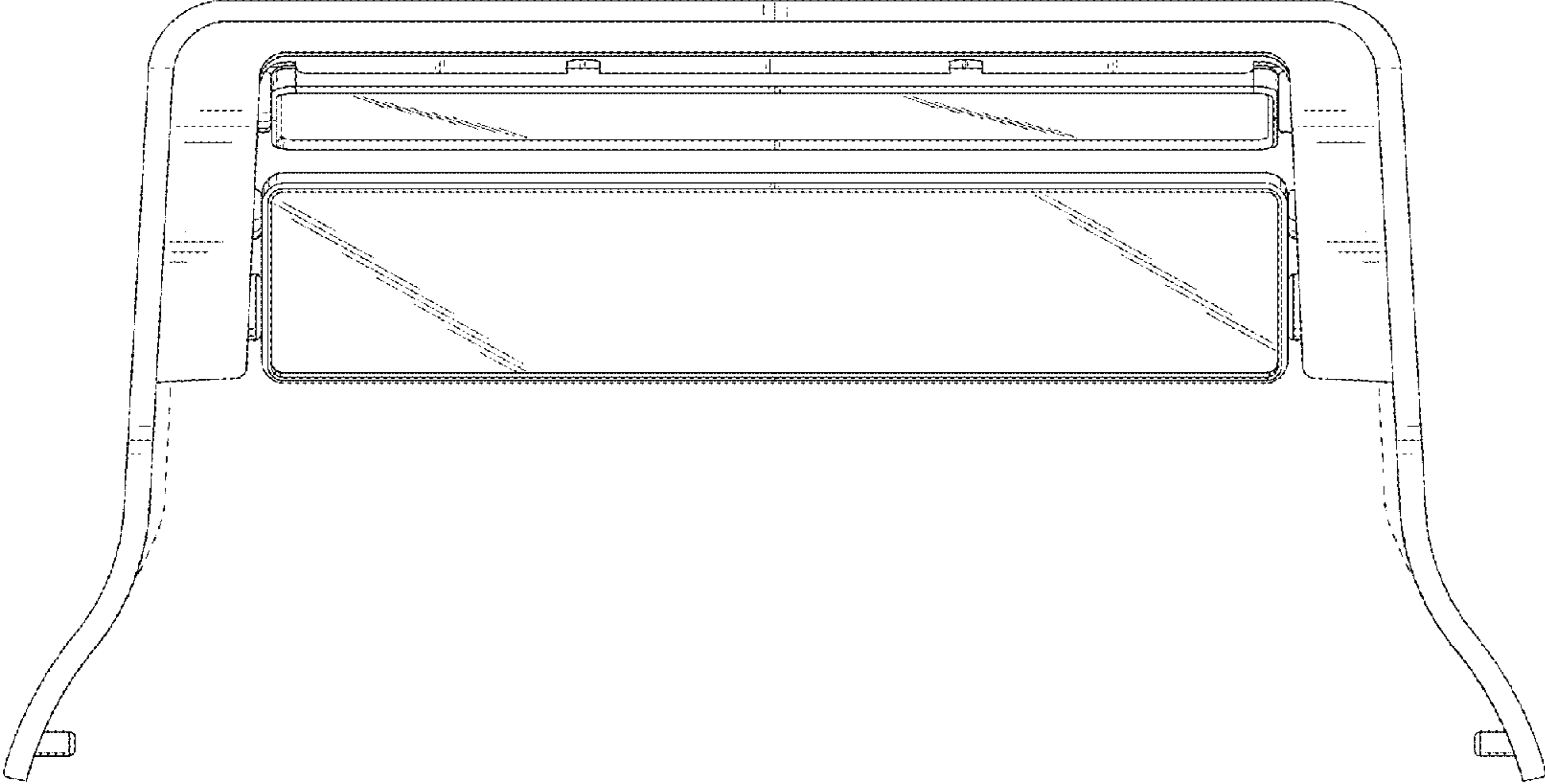


FIG. 4

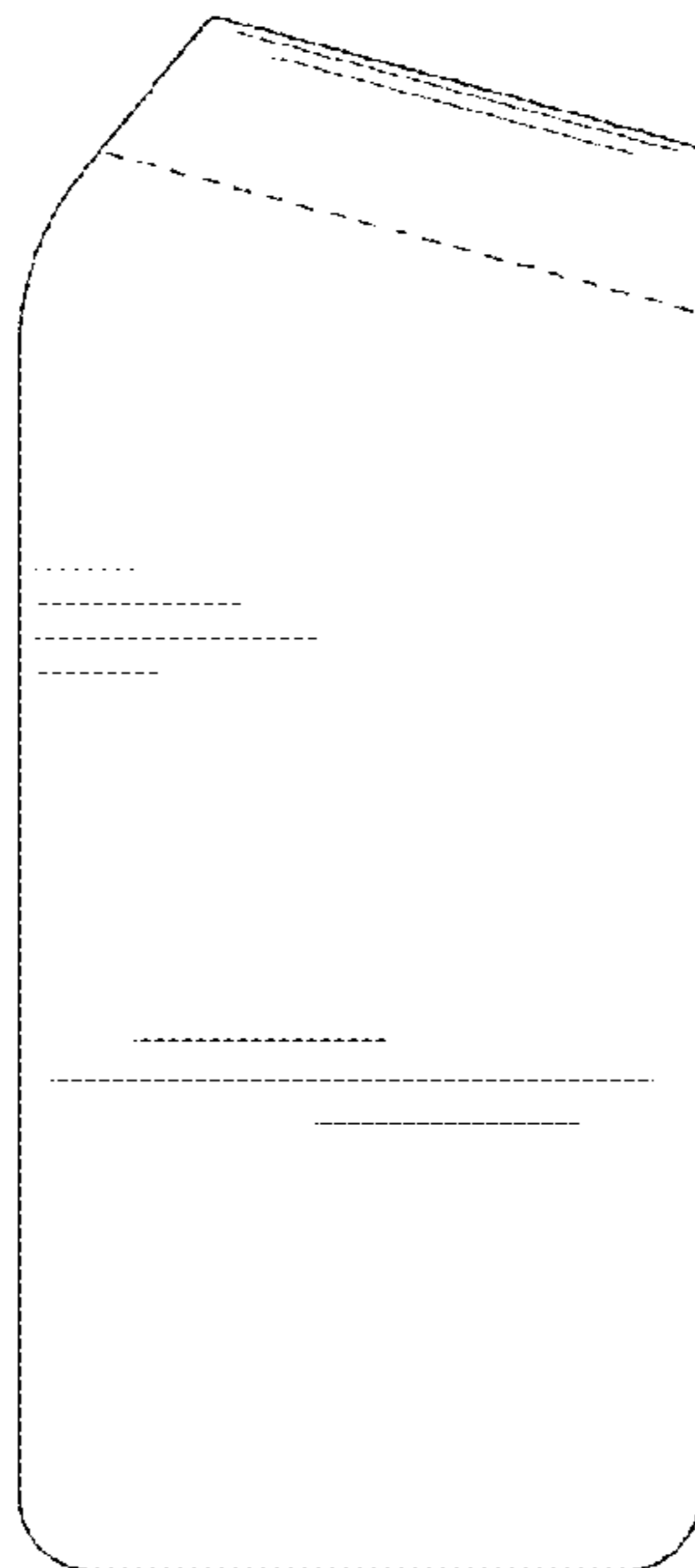


FIG. 5

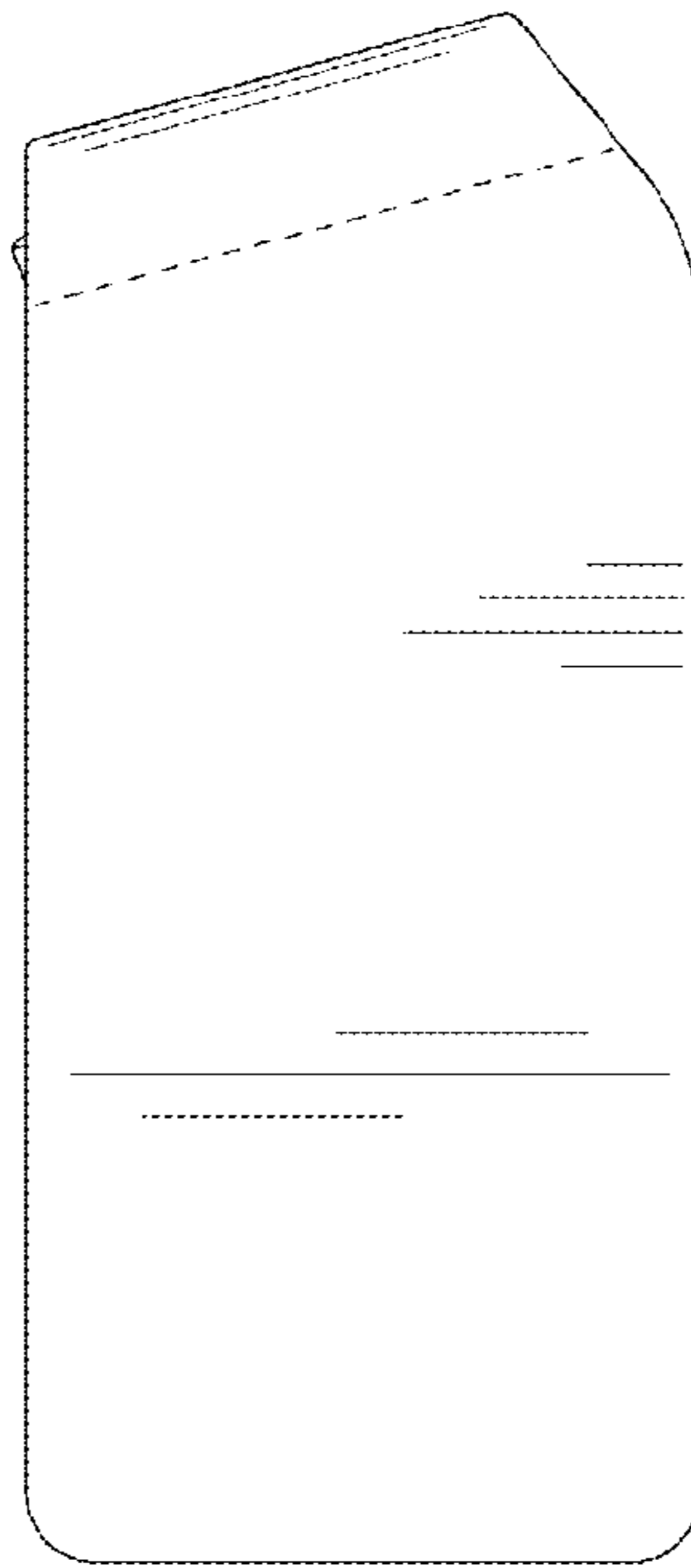


FIG. 6

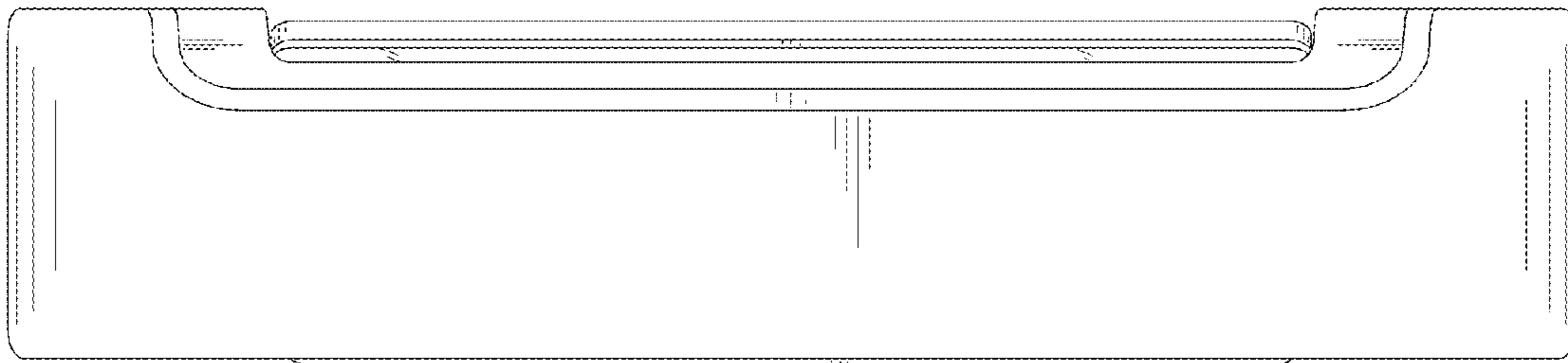


FIG. 7

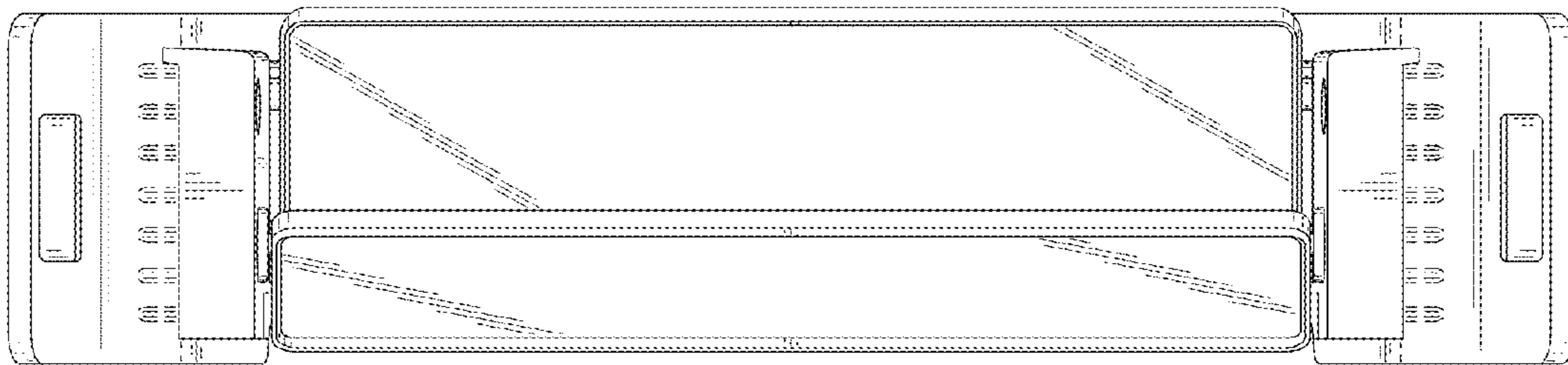


FIG. 8

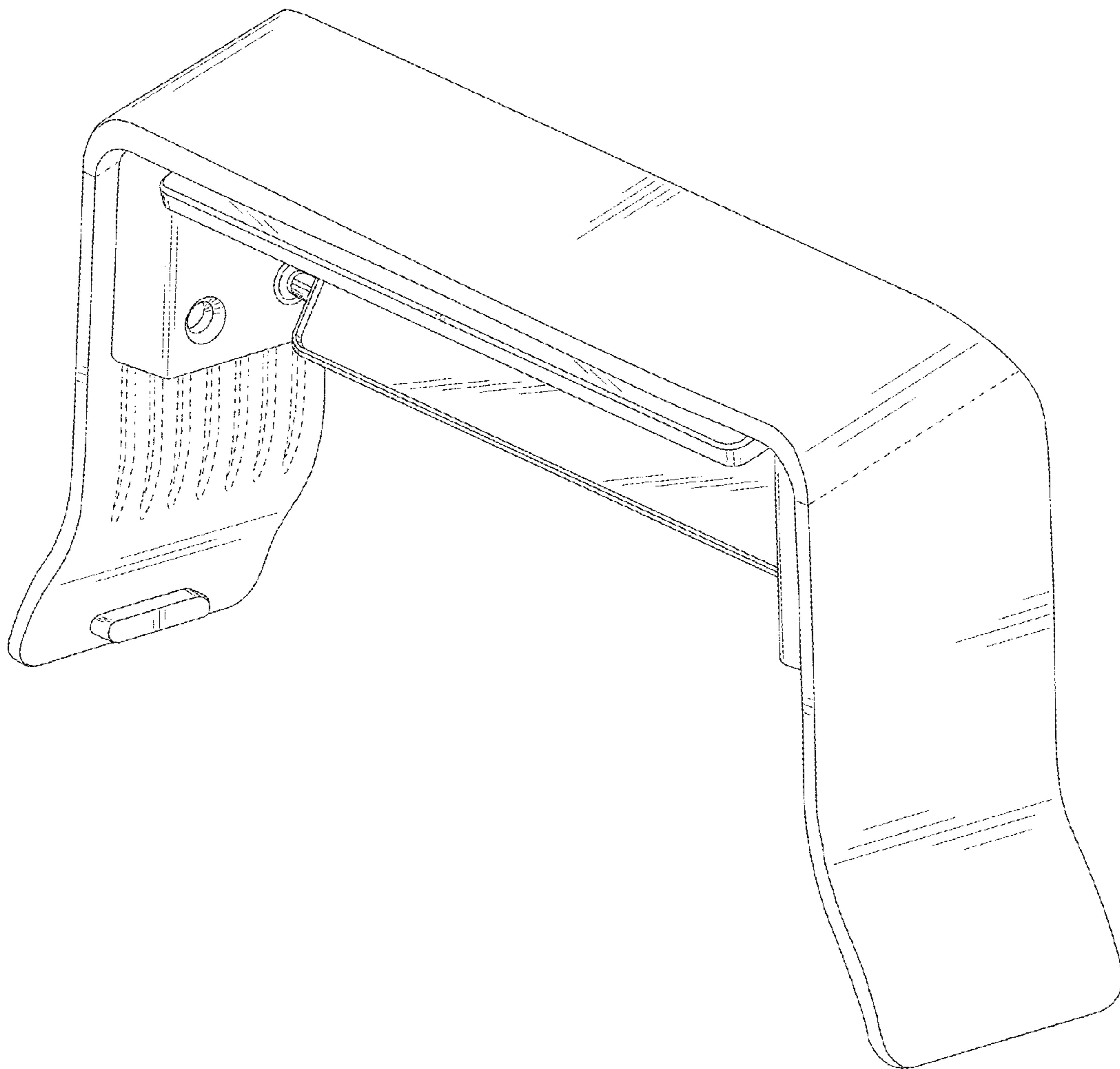


FIG. 9

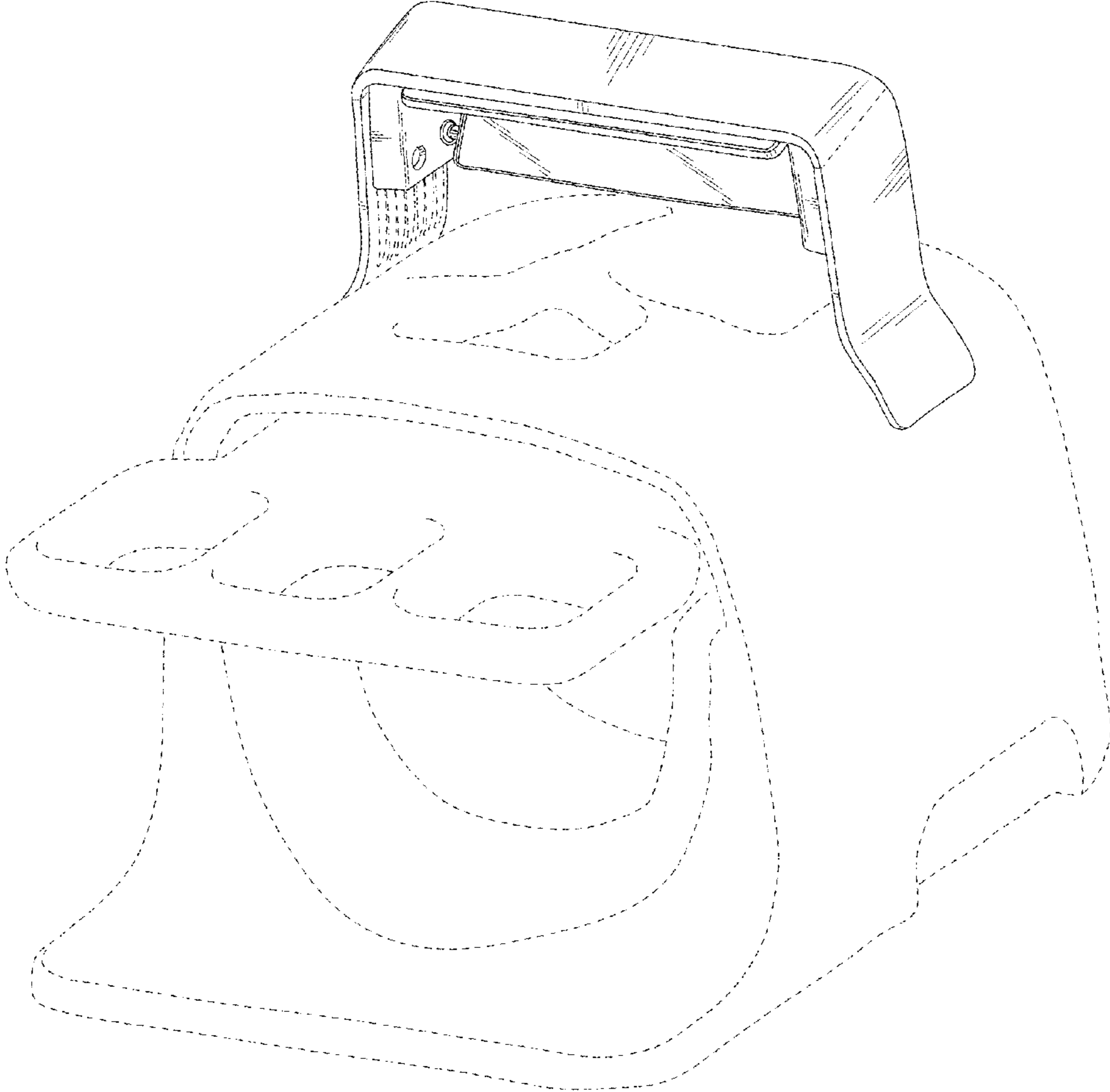


FIG. 10

