



US00D742010S

(12) **United States Design Patent**
Metcalf

(10) **Patent No.:** **US D742,010 S**

(45) **Date of Patent:** **** Oct. 27, 2015**

(54) **SCANNER**

(71) Applicant: **James R. Glidewell Dental Ceramics, Inc.**, Newport Beach, CA (US)

(72) Inventor: **Gregory Rei Metcalf**, Costa Mesa, CA (US)

(73) Assignee: **James R. Glidewell Dental Ceramics, Inc.**, Newport Beach, CA (US)

(**) Term: **14 Years**

(21) Appl. No.: **29/507,810**

(22) Filed: **Oct. 30, 2014**

(51) **LOC (10) Cl.** **24-01**

(52) **U.S. Cl.**
USPC **D24/158; D24/176**

(58) **Field of Classification Search**
USPC D24/158–161, 185, 186, 176; D14/420, D14/421, 423; D16/232; 378/62, 63, 86–89, 378/102; 235/462.45, 472.01; 433/213, 433/215, 223, 34; 356/601
CPC G06K 2007/10524; G06K 7/10881
See application file for complete search history.

(56) **References Cited**

U.S. PATENT DOCUMENTS

D302,683 S * 8/1989 Iwasaki et al. D14/423
D394,316 S * 5/1998 Kodama et al. D24/158
6,217,334 B1 * 4/2001 Hultgren 433/215

D476,658 S * 7/2003 Adachi et al. D14/423
D533,555 S * 12/2006 Odhe et al. D14/420
D573,146 S * 7/2008 Sukenari et al. D14/431
D580,962 S * 11/2008 Sukenari et al. D16/232
D612,851 S * 3/2010 Maruyama et al. D14/423
D678,383 S * 3/2013 Park et al. D16/232
D714,940 S * 10/2014 Kim D24/158
2011/0090513 A1 4/2011 Seidl et al.

FOREIGN PATENT DOCUMENTS

WO WO2013180423 A1 5/2013

* cited by examiner

Primary Examiner — Anhdao Doan

(74) *Attorney, Agent, or Firm* — Dianne Burkhard

(57) **CLAIM**

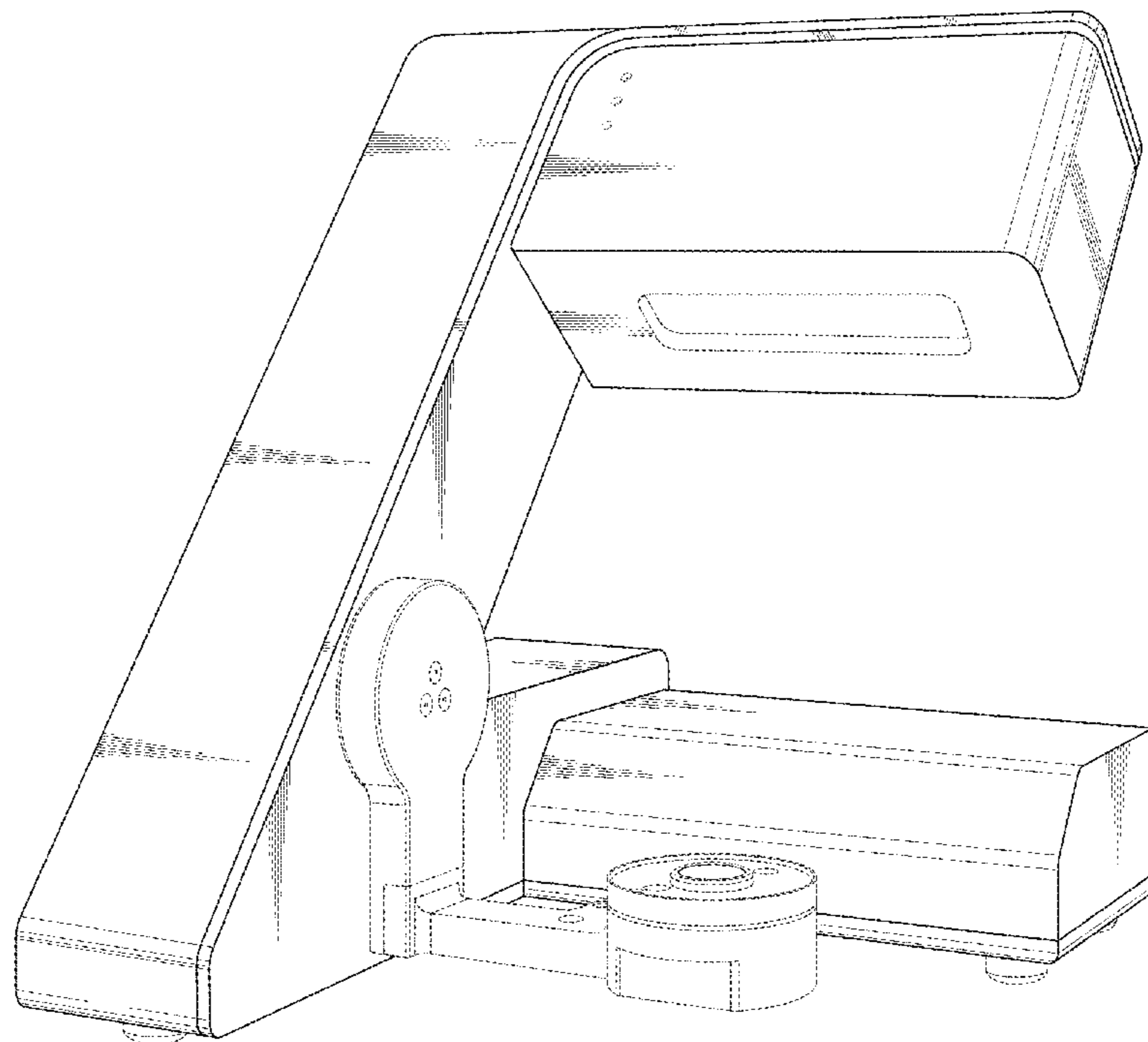
The ornamental design for a scanner, as shown and described.

DESCRIPTION

FIG. 1 is a front perspective view of a scanner showing my new design;
FIG. 2 is a front view thereof;
FIG. 3 is a top view thereof;
FIG. 4 is a rear view thereof;
FIG. 5 is a right side view thereof;
FIG. 6 is a left side view thereof; and,
FIG. 7 is a bottom view thereof.

The shade lines in the Figures show contour and not surface ornamentation. The broken lines in the Figures show portions of the scanner that form no part of the claimed design.

1 Claim, 7 Drawing Sheets



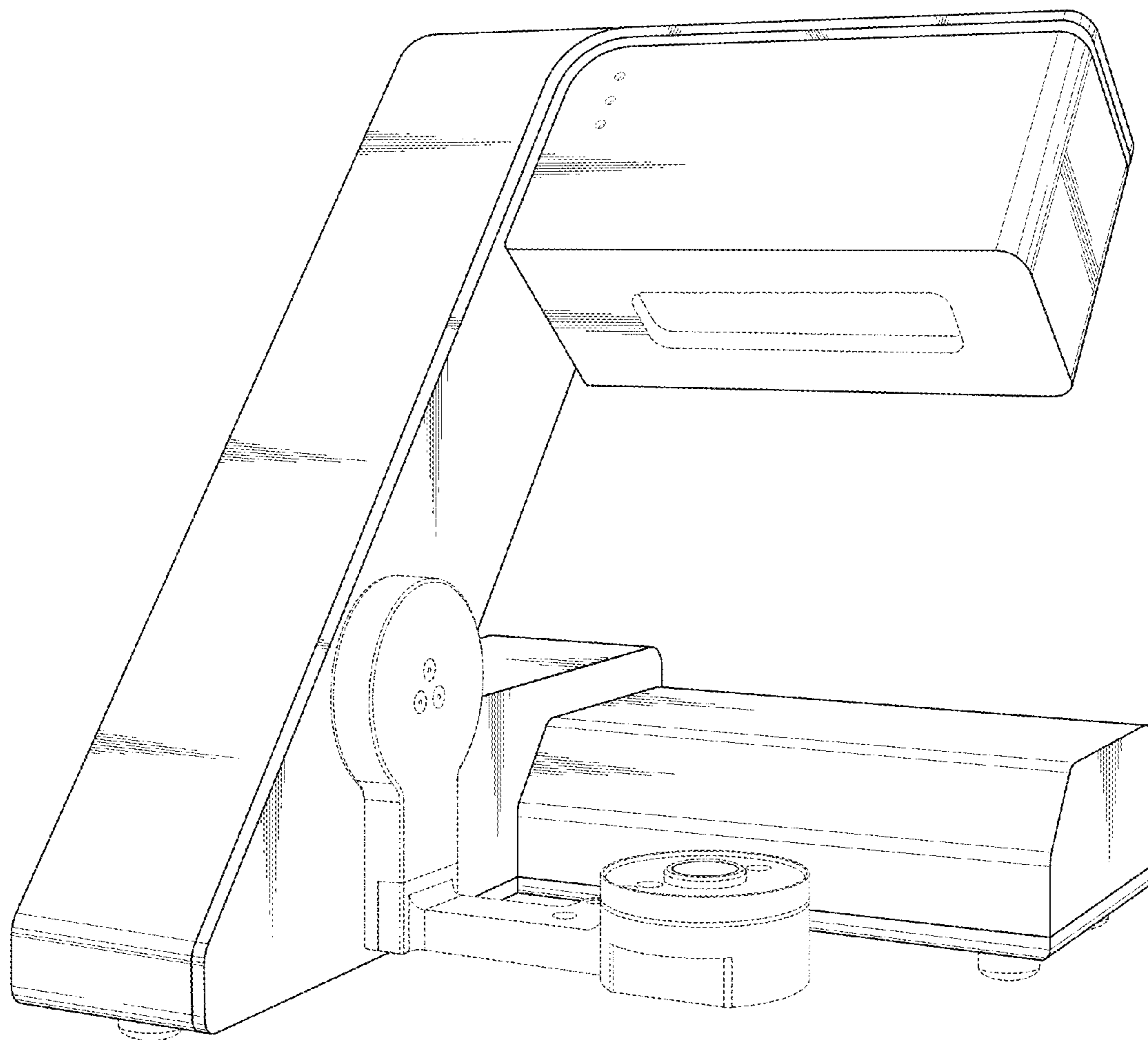


FIG. 1

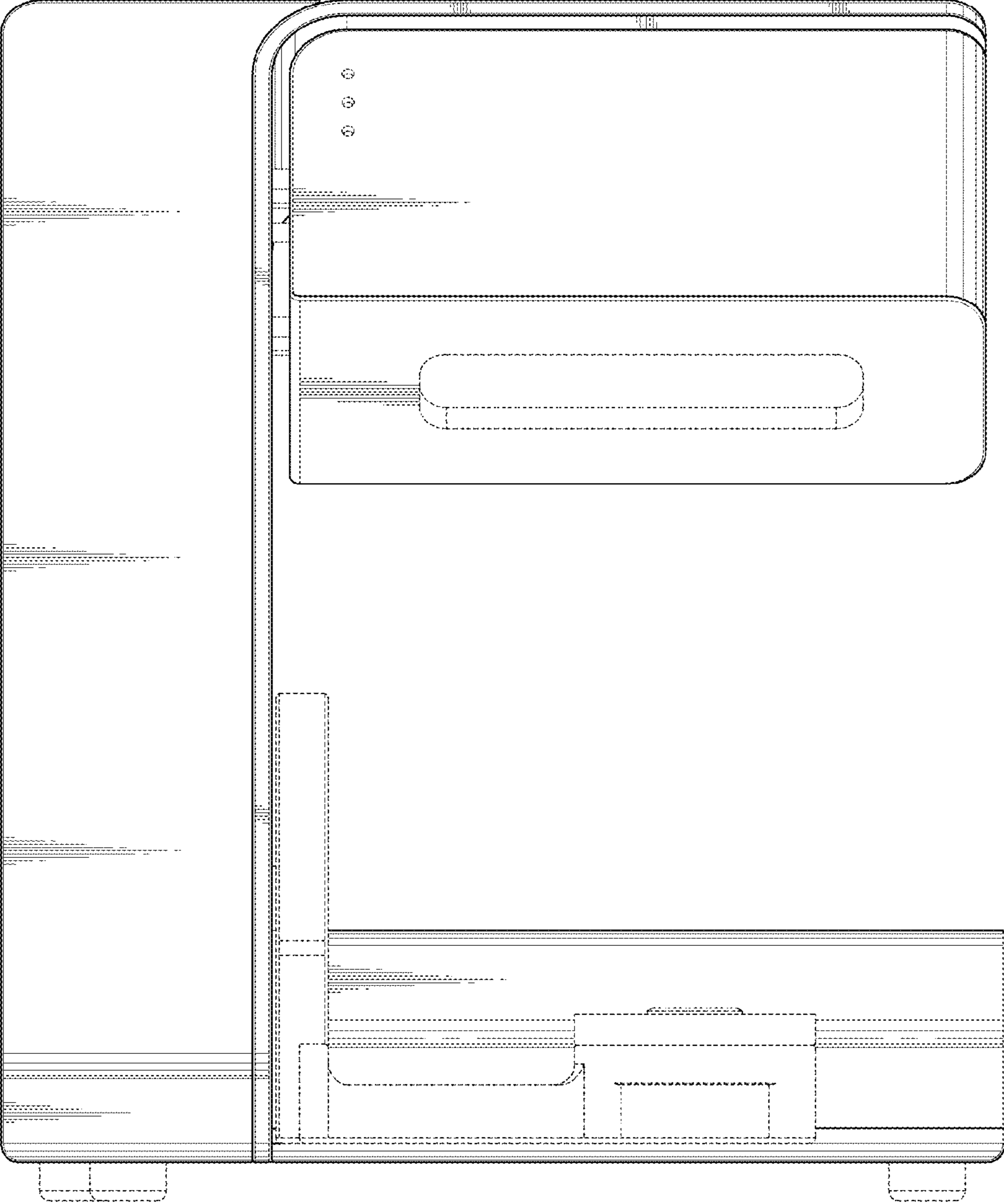


FIG. 2

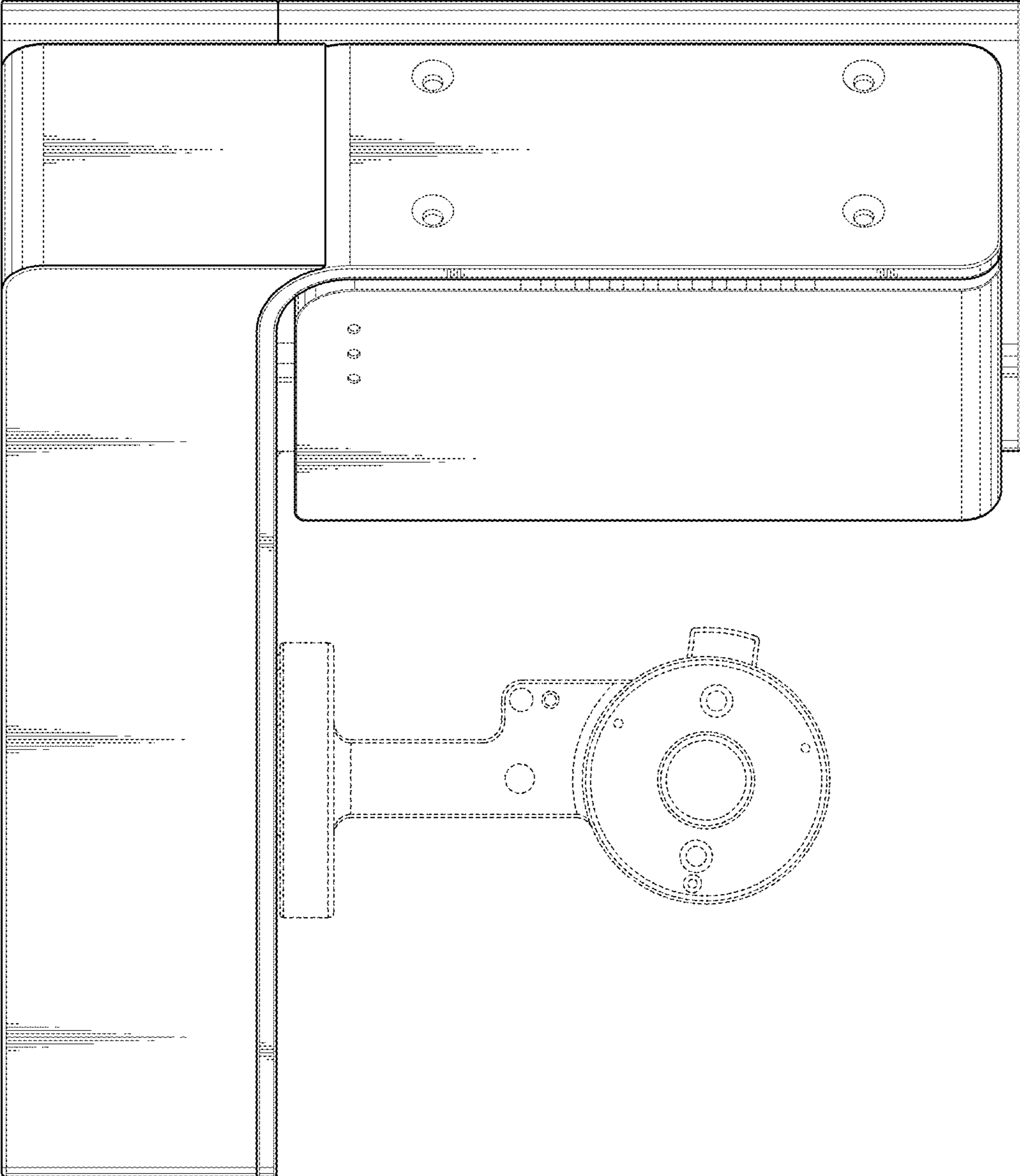


FIG. 3

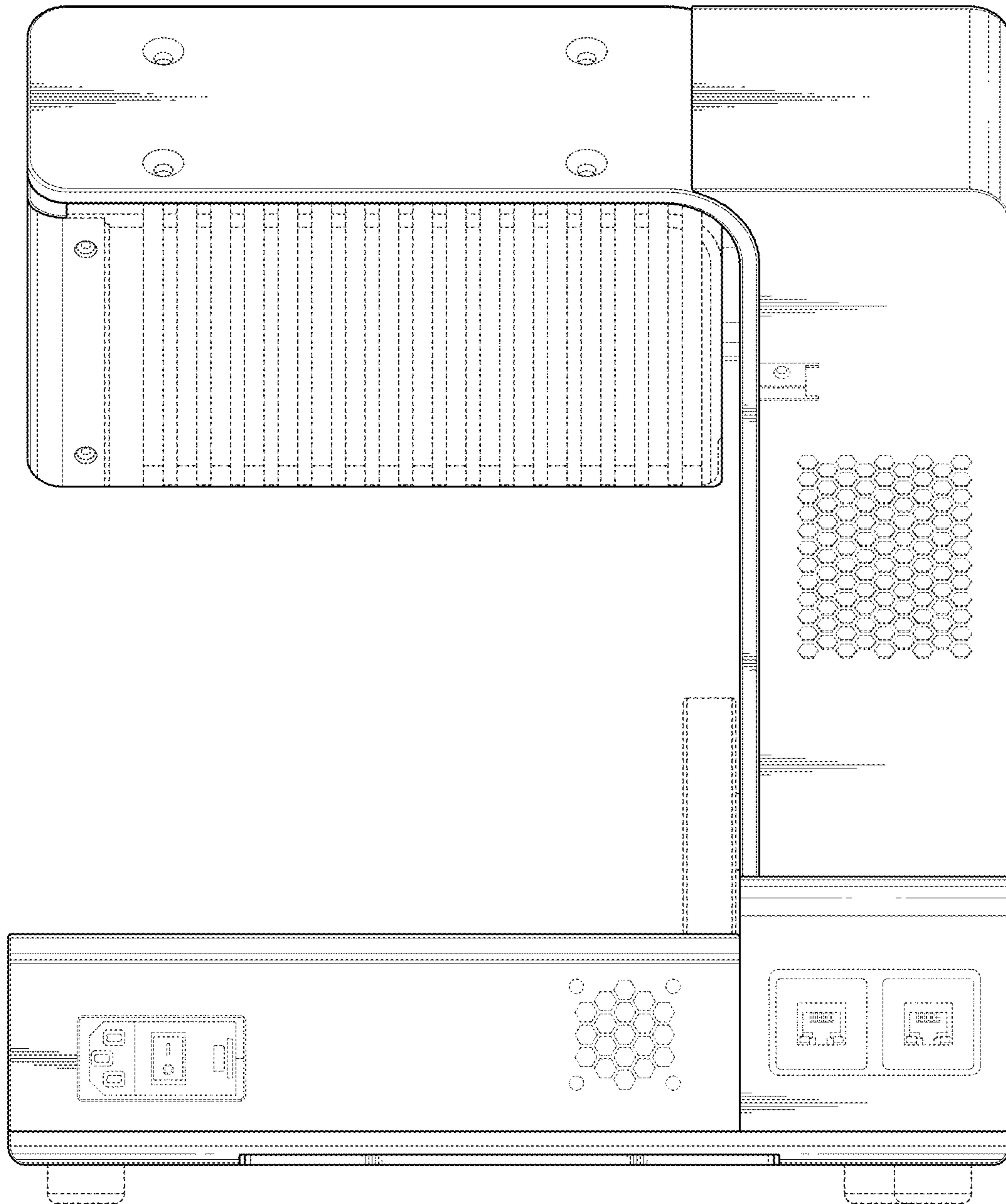


FIG. 4

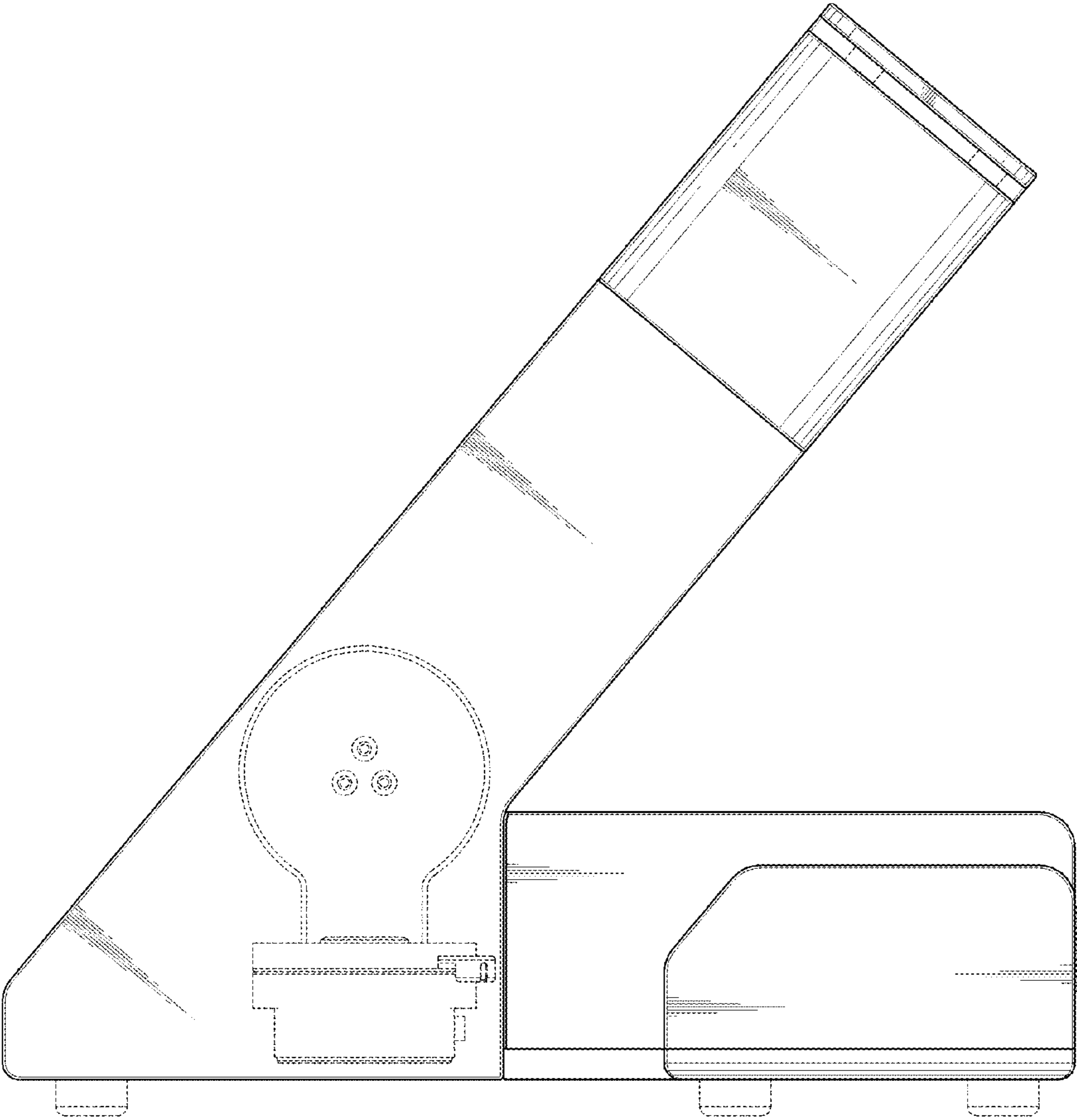


FIG. 5

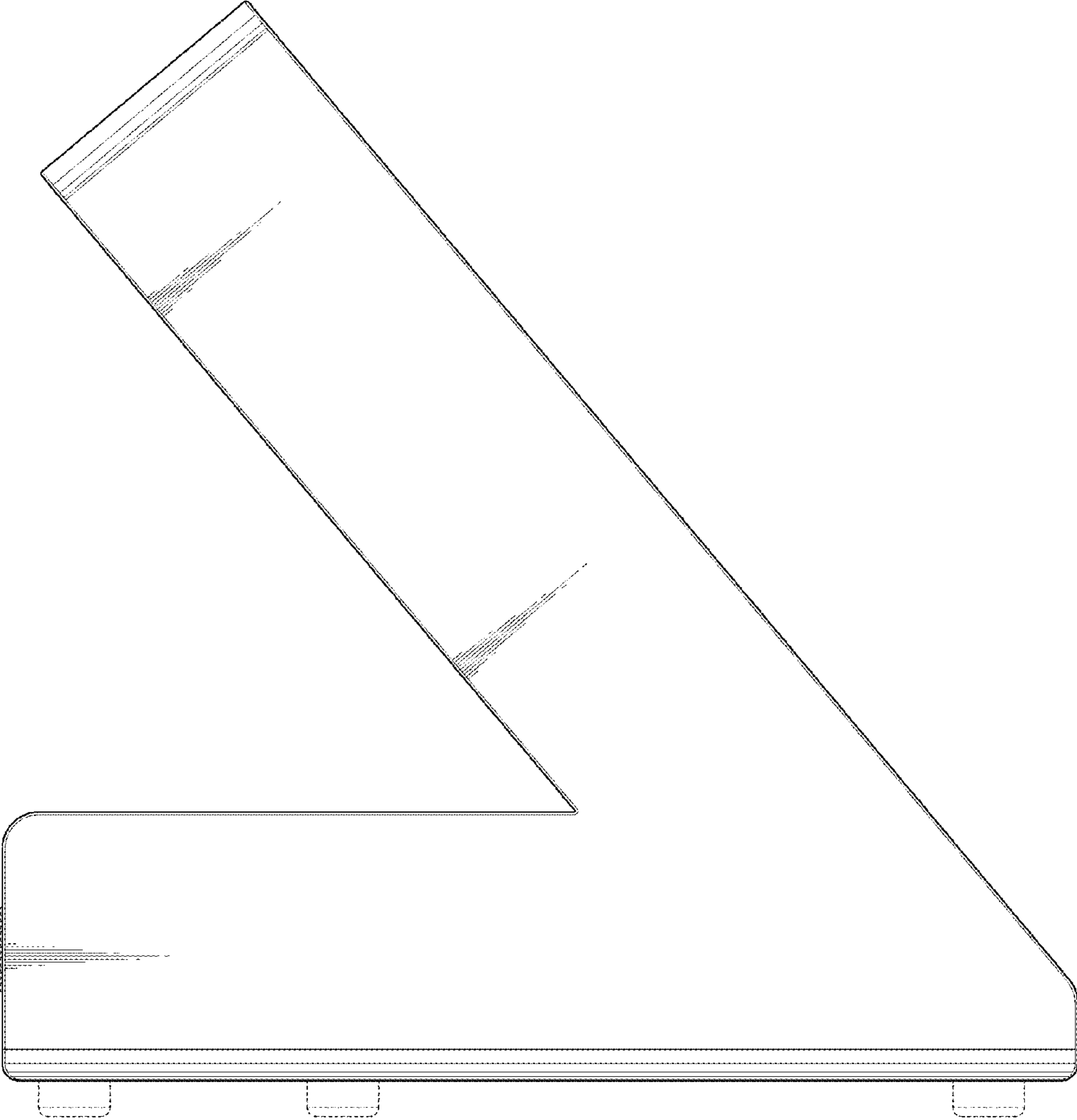


FIG. 6

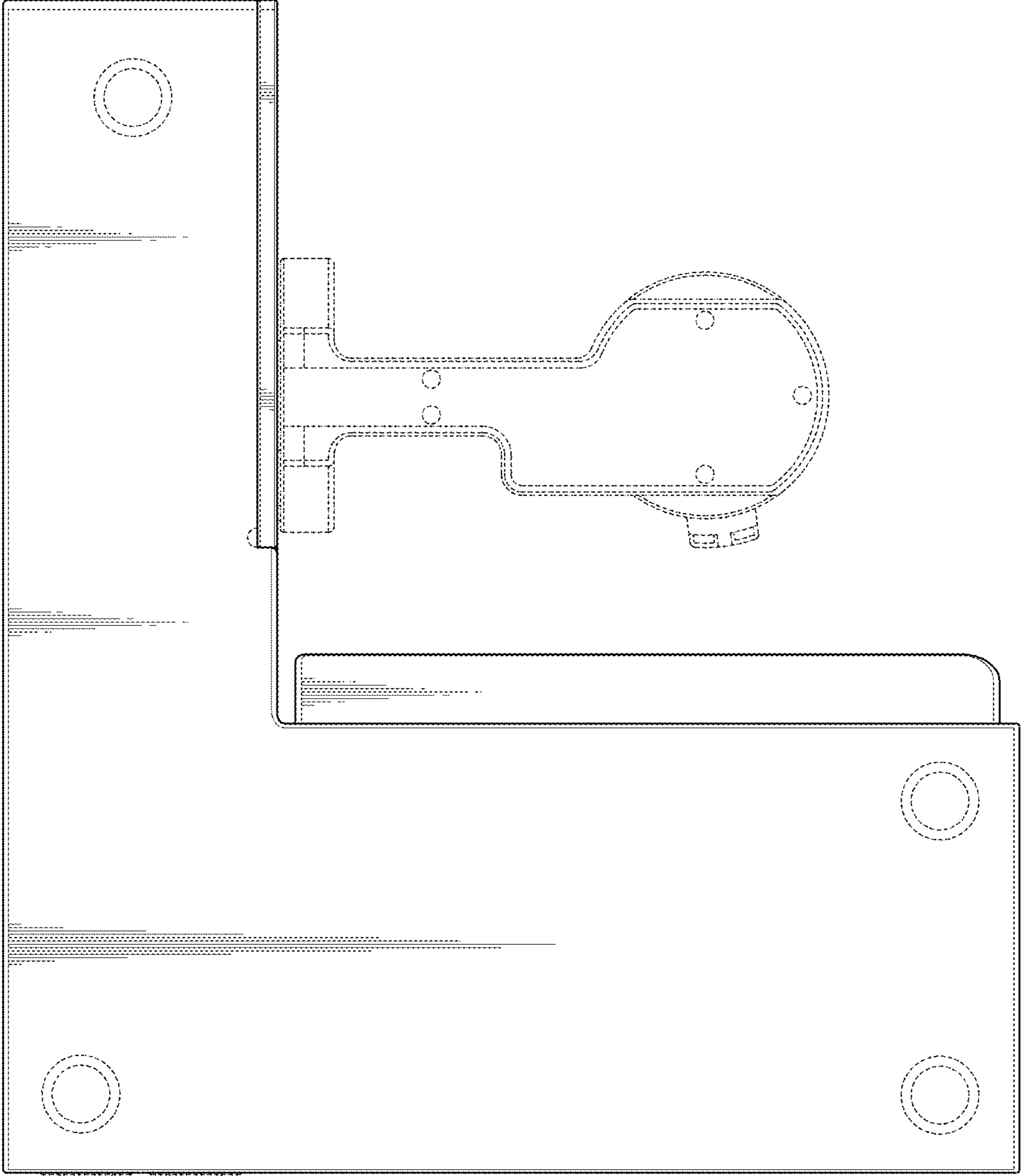


FIG. 7