



US00D742005S

(12) **United States Design Patent**  
**Komuda et al.**

(10) **Patent No.:** **US D742,005 S**

(45) **Date of Patent:** **\*\* Oct. 27, 2015**

(54) **DEVICE FOR PUNCTURING A SKIN**

(71) Applicant: **“HTL-STREFA” SPÓLKA**  
**AKCYJNA, Ozorków (PL)**

(72) Inventors: **Marcin Komuda, Ostroleka (PL);**  
**Jaroslav Moleda, Sandy Springs, GA**  
**(US); Radoslaw Jacek Lubecki,**  
**Warsaw (PL)**

(73) Assignee: **“HTL-STREFA” SPÓLKA**  
**AKCYJNA, Ozorków (PL)**

(\*\*) Term: **14 Years**

(21) Appl. No.: **29/501,130**

(22) Filed: **Sep. 2, 2014**

(30) **Foreign Application Priority Data**

Mar. 31, 2014 (EM) ..... 002437095-0001

(51) **LOC (10) Cl.** ..... **24-02**

(52) **U.S. Cl.**  
USPC ..... **D24/146**

(58) **Field of Classification Search**

USPC ..... D7/649; D8/93, 97, 300, 310, 311, 313,  
D8/40, 82, 90; D19/110, 115; D24/127,  
D24/130, 133, 146, 147, 148

CPC ..... B62B 3/00; B62B 1/10; B62B 5/005;  
A61B 17/809; A61B 17/1617; A61B 17/3211;  
A61B 5/1411; A61B 17/3417

See application file for complete search history.

(56) **References Cited**

**U.S. PATENT DOCUMENTS**

5,613,978 A 3/1997 Harding  
D379,516 S 5/1997 Rutter  
D425,199 S \* 5/2000 Muramatsu ..... D24/133

D428,150 S 7/2000 Ruf et al.  
D444,557 S 7/2001 Levaughn et al.  
D447,566 S 9/2001 Levaughn et al.  
6,283,982 B1 \* 9/2001 Levaughn et al. .... 606/172  
6,306,152 B1 10/2001 Verdonk et al.

(Continued)

*Primary Examiner* — Robert M Spear

*Assistant Examiner* — Marissa J Cash

(74) *Attorney, Agent, or Firm* — Pearne & Gordon LLP

(57) **CLAIM**

The ornamental design for a device for puncturing a skin, as shown and described.

**DESCRIPTION**

FIG. 1 is a front plan view of a device for puncturing a skin, showing our new design, wherein a rear plan view of the device for puncturing a skin would appear identical to FIG. 1; FIG. 2 is a right side view of the device for puncturing a skin of FIG. 1, wherein a left side view of the device for puncturing a skin would appear identical to FIG. 2;

FIG. 3 is a bottom plan view of the device for puncturing a skin of FIG. 1;

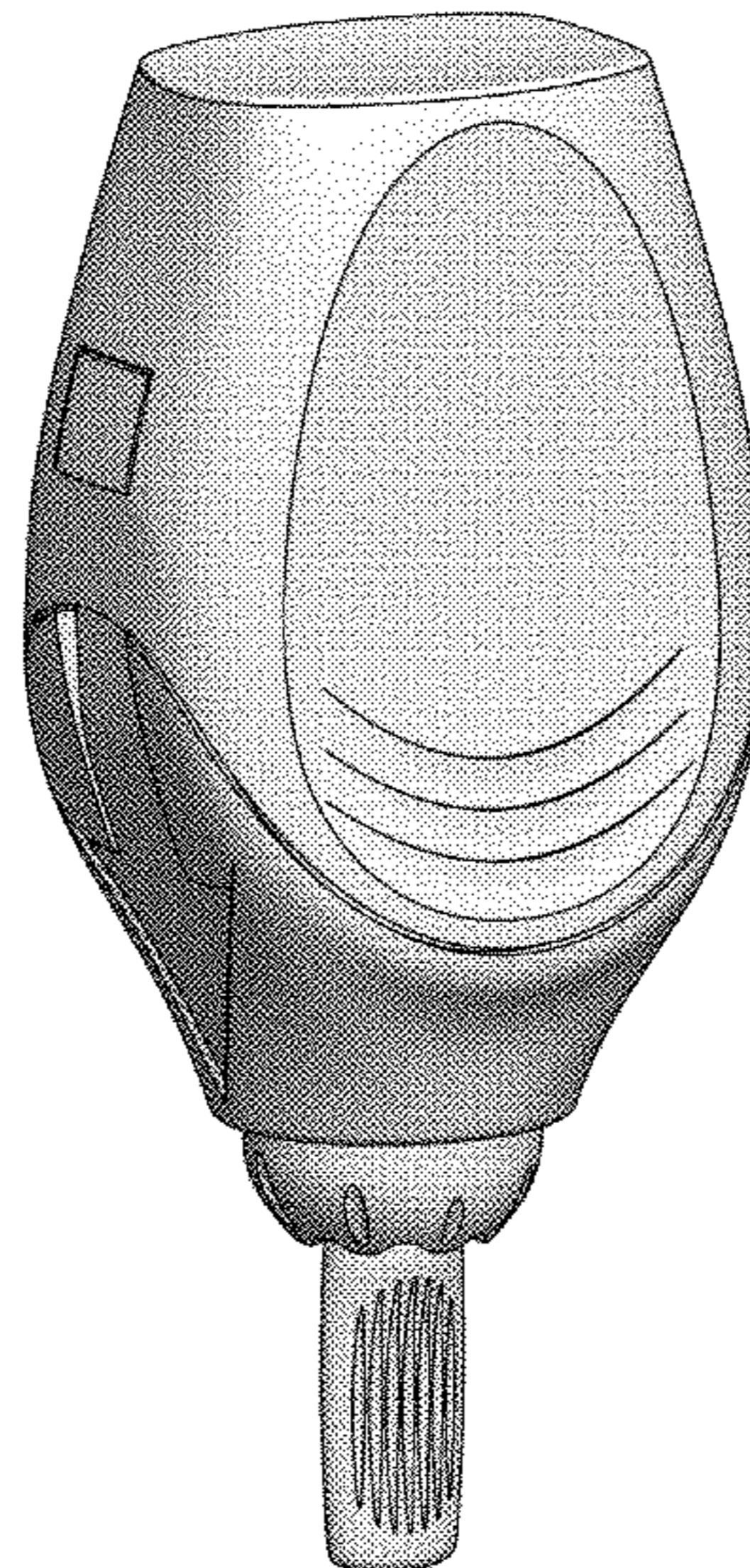
FIG. 4 is a top plan view of the device for puncturing a skin of FIG. 1;

FIG. 5 is front, left side and top perspective view of the device for puncturing a skin of FIG. 1, wherein a front right side and top perspective view of the device for puncturing a skin would appear as a mirror image of FIG. 5;

FIG. 6 is a front, right side and bottom perspective view of the device for puncturing a skin of FIG. 1, wherein a rear, right side and bottom perspective view of the device for puncturing a skin would appear as a mirror image of FIG. 6; and,

FIG. 7 is a front, left side and bottom perspective view of the device for puncturing a skin of FIG. 1, wherein a rear, left side and bottom perspective view of the device for puncturing a skin would appear as a mirror image of FIG. 7.

**1 Claim, 6 Drawing Sheets**



(56)

**References Cited**

U.S. PATENT DOCUMENTS

D493,532 S	7/2004	Levaughn et al.	D617,904 S	6/2010	Lai	
D496,101 S	9/2004	Davison	D621,042 S	8/2010	Ruf	
D499,182 S	11/2004	Moore et al.	D628,293 S	11/2010	Ruf	
D531,725 S	11/2006	Loerwald et al.	D628,695 S	12/2010	Ruf	
D532,517 S	11/2006	Wilkinson	D648,024 S	11/2011	Harkin et al.	
D538,934 S	3/2007	Wilkinson	D648,852 S *	11/2011	Shi .....	D24/146
D560,805 S	1/2008	Young et al.	8,048,096 B2 *	11/2011	Wilkinson .....	606/181
D566,273 S	4/2008	Gutmann et al.	D673,678 S	1/2013	Hong	
D569,517 S	5/2008	Wilkinson	D673,679 S	1/2013	Hong	
D569,975 S	5/2008	Wilkinson	D696,411 S *	12/2013	Imboden et al. ....	D24/215
D586,465 S	2/2009	Faulkner et al.	D706,422 S *	6/2014	Ziegler et al. ....	D24/146
D586,916 S	2/2009	Faulkner et al.	D715,493 S *	10/2014	Yiu .....	D28/58
D592,307 S	5/2009	Curry et al.	8,858,582 B2 *	10/2014	Schiff et al. ....	606/181
7,572,269 B2	8/2009	Marshall et al.	D729,386 S *	5/2015	Ziegler et al. ....	D24/147
D612,051 S	3/2010	Ruf	9,064,107 B2 *	6/2015	Reggiardo et al. ....	1/1
D616,987 S	6/2010	Brown et al.	2004/0098010 A1	5/2004	Davison et al.	
			2007/0156163 A1	7/2007	Davison et al.	
			2010/0004560 A1	1/2010	Davison et al.	

\* cited by examiner

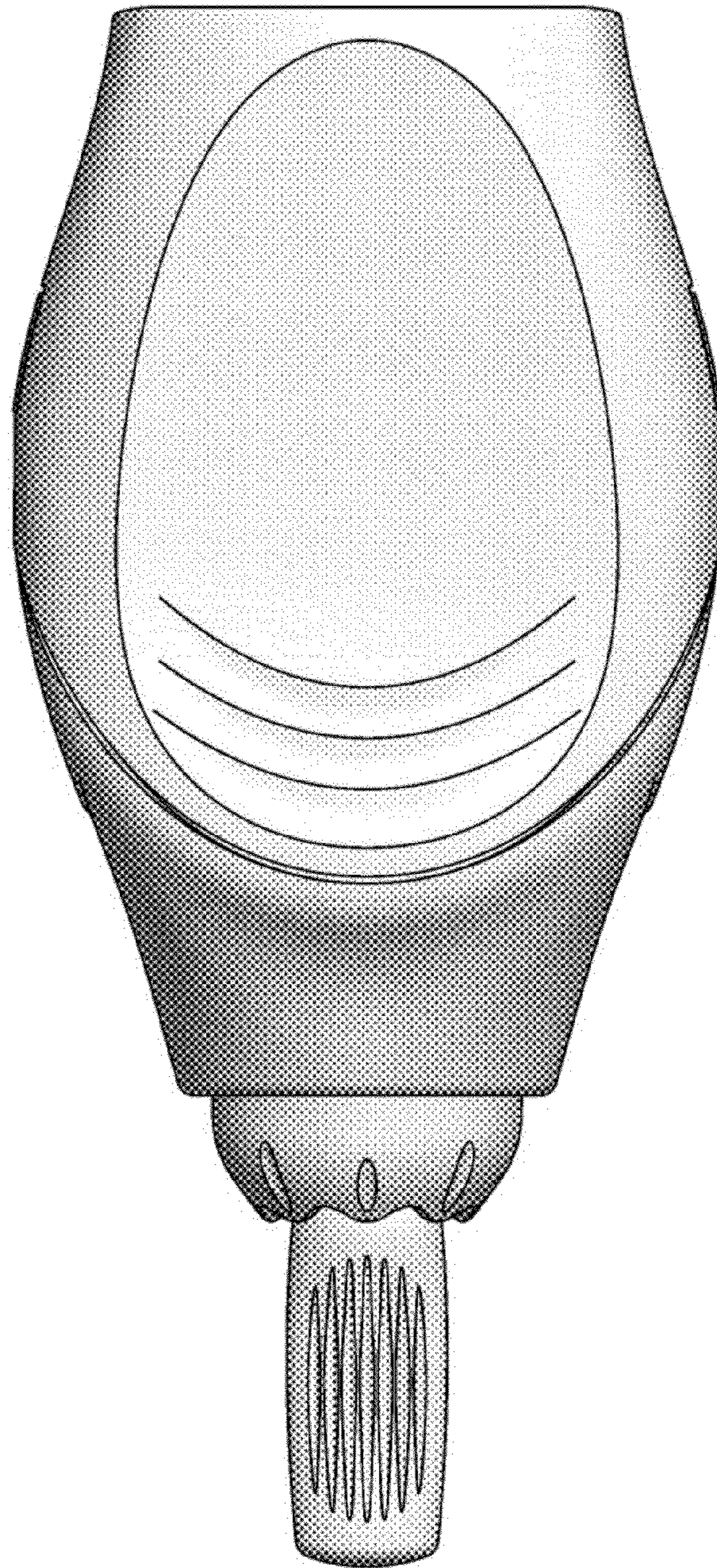


FIG. 1

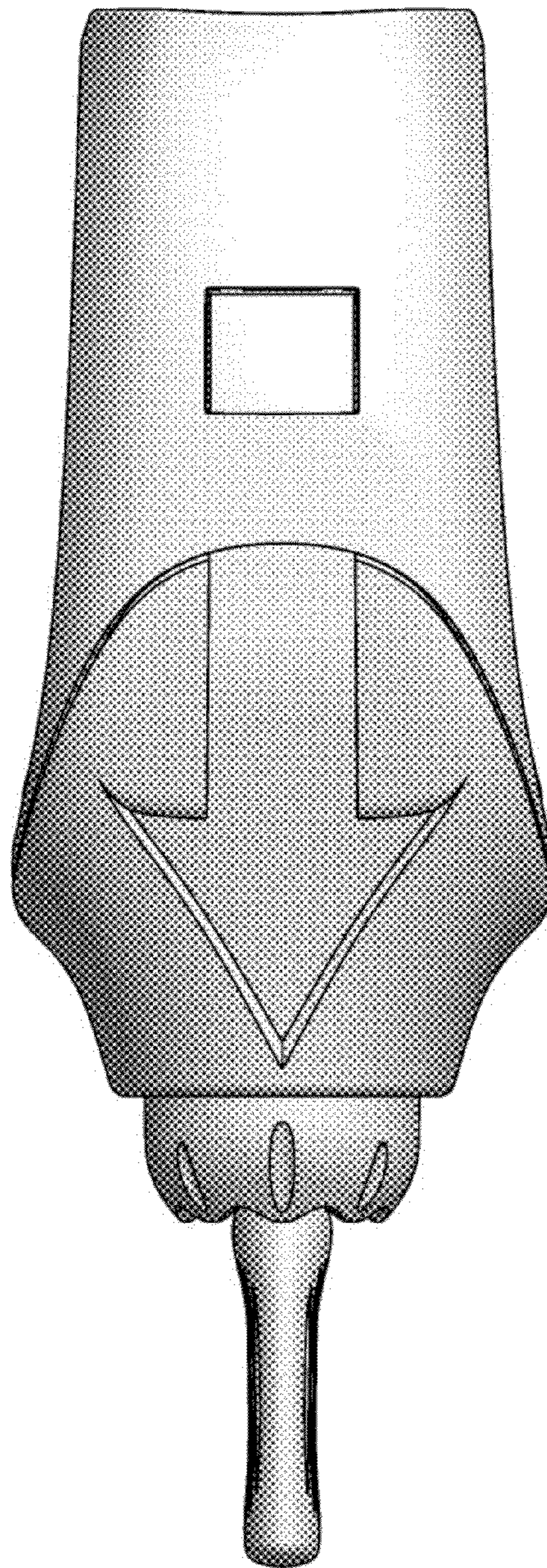


FIG. 2

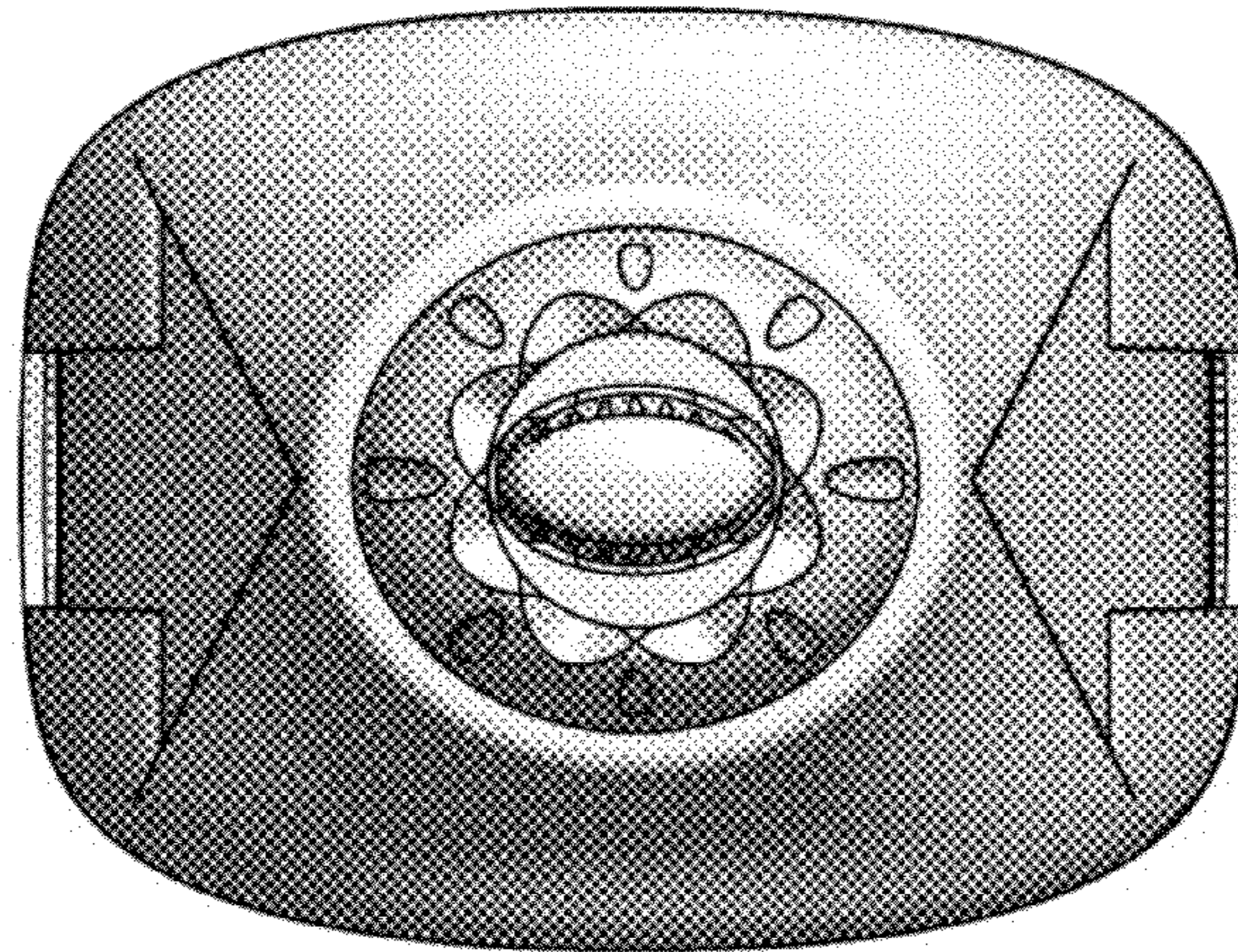


FIG. 3

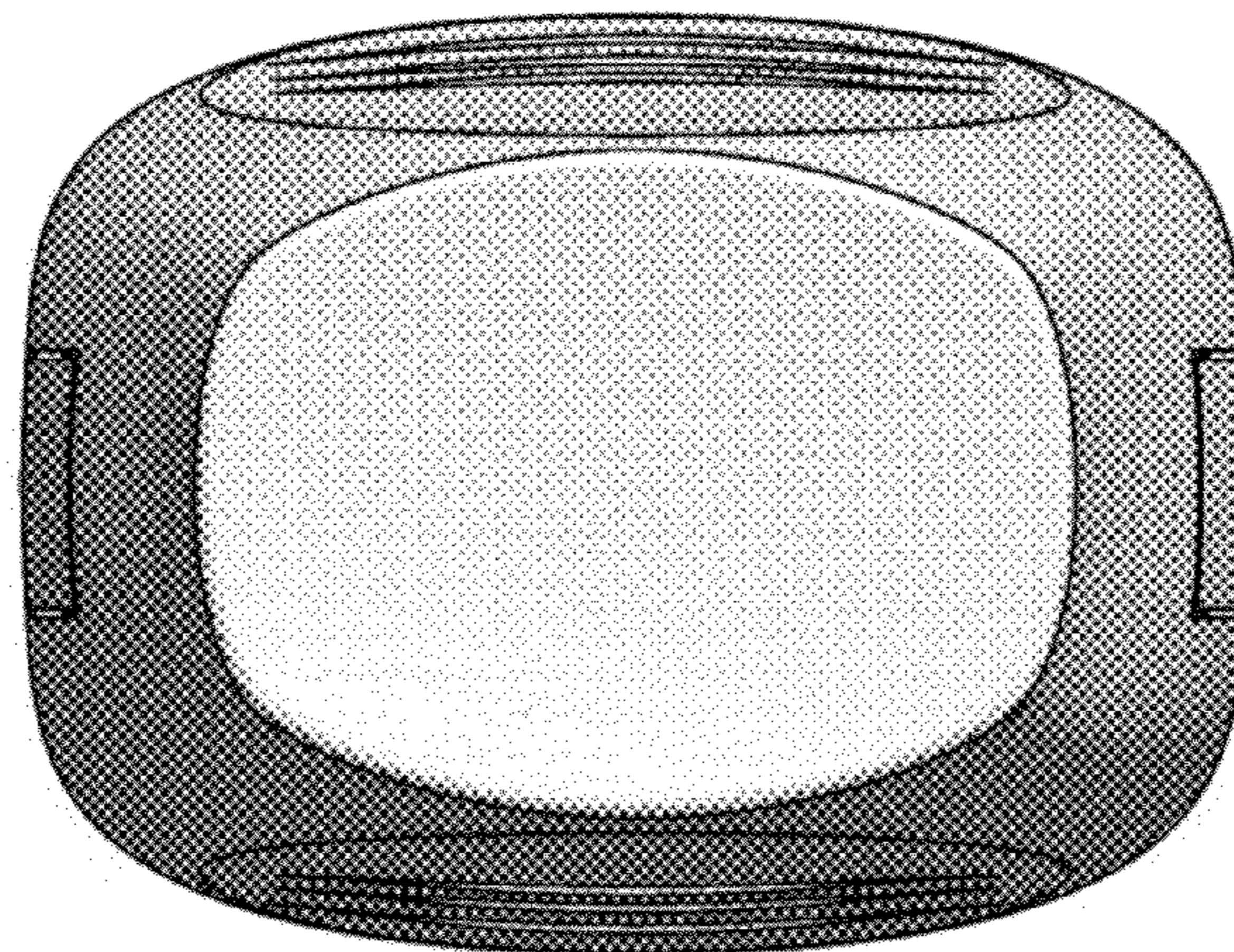


FIG. 4

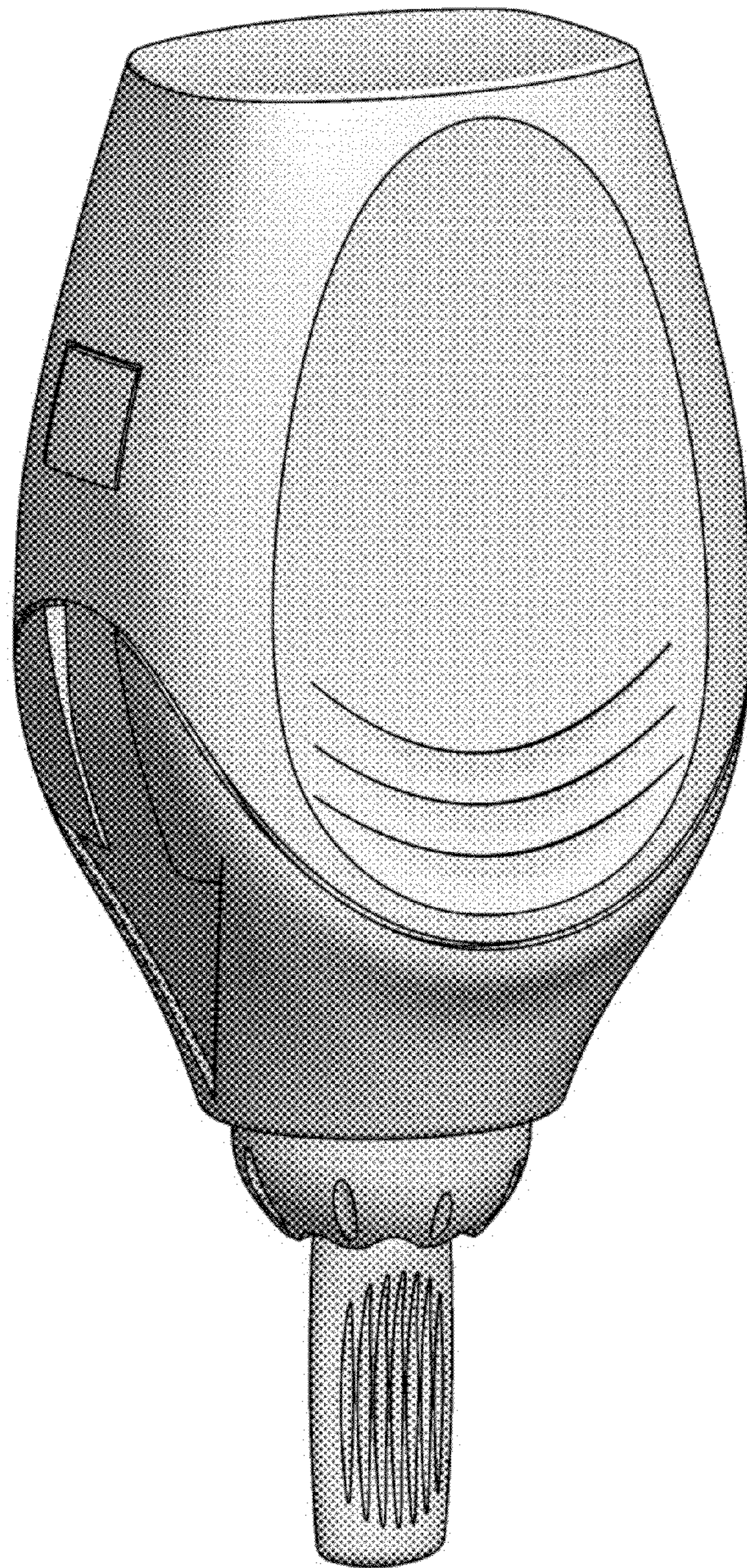


FIG. 5

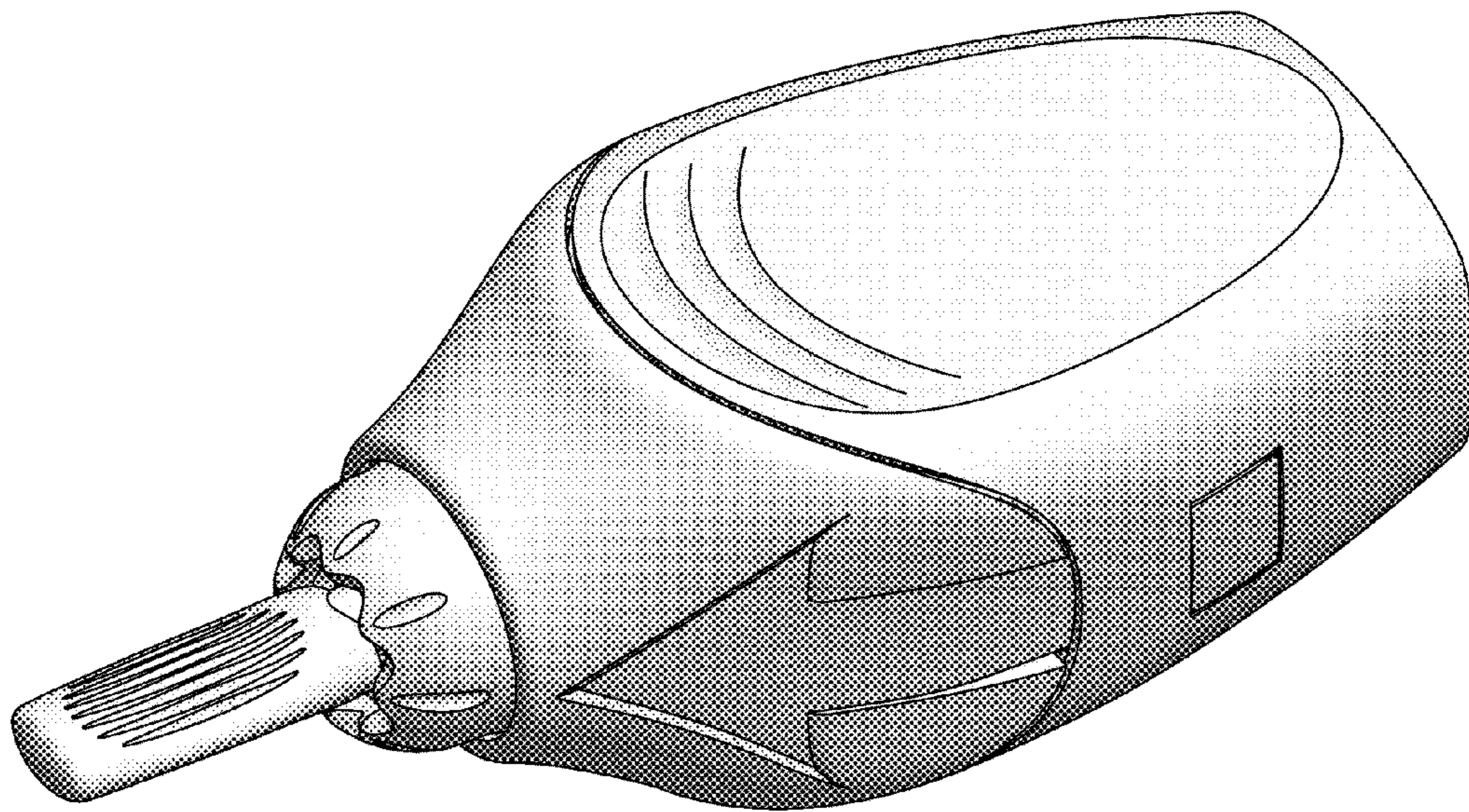


FIG. 6

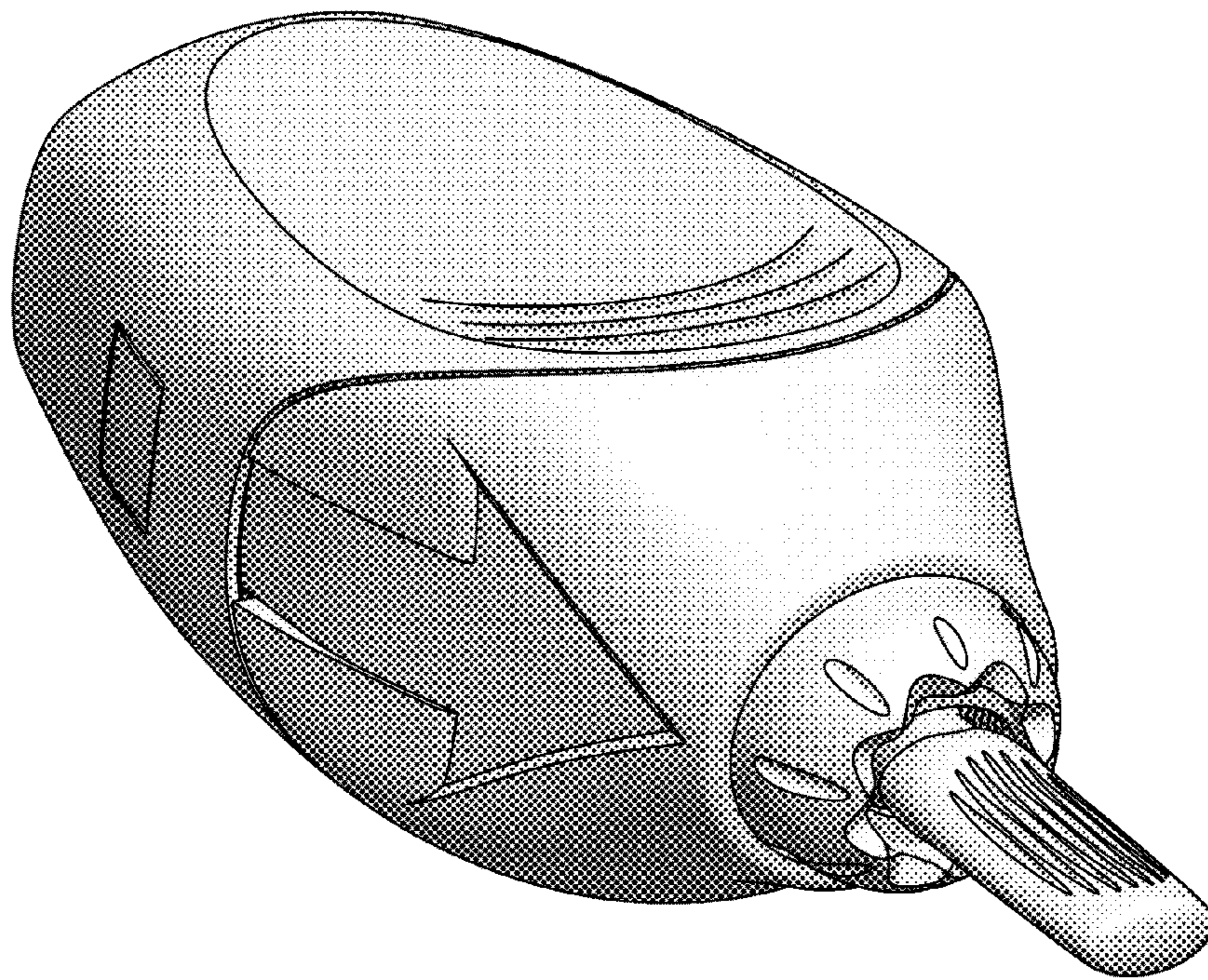


FIG. 7