



US00D742004S

(12) **United States Design Patent**
Rozwadowski et al.

(10) **Patent No.:** **US D742,004 S**
(45) **Date of Patent:** **** Oct. 27, 2015**

(54) **SKIN INCISION DEVICE**
(71) Applicant: **“HTL-STREFA” SPÓLKA**
AKCYJNA, Ozorków (PL)
(72) Inventors: **Marcin Rozwadowski, Warsaw (PL);**
Vincent Leskovich, Dodecanes (GR)
(73) Assignee: **“HTL-STREFA” SPÓLKA**
AKCYJNA, Ozorków (PL)
(**) Term: **14 Years**
(21) Appl. No.: **29/495,025**
(22) Filed: **Jun. 26, 2014**

4,414,975 A 11/1983 Ryder et al.
4,438,770 A 3/1984 Unger et al.
4,539,988 A 9/1985 Shirley et al.
4,628,929 A 12/1986 Intengan et al.
4,643,189 A 2/1987 Mintz
4,677,979 A 7/1987 Burns
4,735,203 A 4/1988 Ryder et al.
5,133,730 A 7/1992 Biro et al.
5,212,879 A 5/1993 Biro et al.
5,314,441 A 5/1994 Cusack et al.
5,395,388 A 3/1995 Schraga
5,476,474 A 12/1995 Davis et al.
5,571,132 A 11/1996 Mawhirt et al.
5,584,846 A 12/1996 Mawhirt et al.
5,630,828 A 5/1997 Mawhirt et al.
5,643,306 A 7/1997 Schraga
5,772,677 A 6/1998 Mawhirt et al.

(Continued)

(30) **Foreign Application Priority Data**

Feb. 18, 2014 (EM) 002406678-0001

(51) **LOC (10) Cl.** **24-02**

(52) **U.S. Cl.**
USPC **D24/146**

(58) **Field of Classification Search**
USPC D7/649; D8/93, 97, 300, 310, 311, 313,
D8/40, 82, 90; D19/110, 115; D24/127,
D24/130, 133, 146, 147, 148
CPC B26B 3/00; B26B 1/10; B26B 5/005;
A61B 17/809; A61B 17/1617; A61B 17/3211;
A61B 5/1411; A61B 17/3417
See application file for complete search history.

(56) **References Cited**

U.S. PATENT DOCUMENTS

4,705 A 8/1846 Tiemann
2,823,677 A 2/1958 Hein, Jr.
3,760,809 A 9/1973 Campbell, Jr.
3,902,475 A 9/1975 Begg et al.
4,064,871 A 12/1977 Reno
4,230,118 A 10/1980 Holman et al.

Primary Examiner — Robert M Spear

Assistant Examiner — Marissa J Cash

(74) *Attorney, Agent, or Firm* — Pearne & Gordon LLP

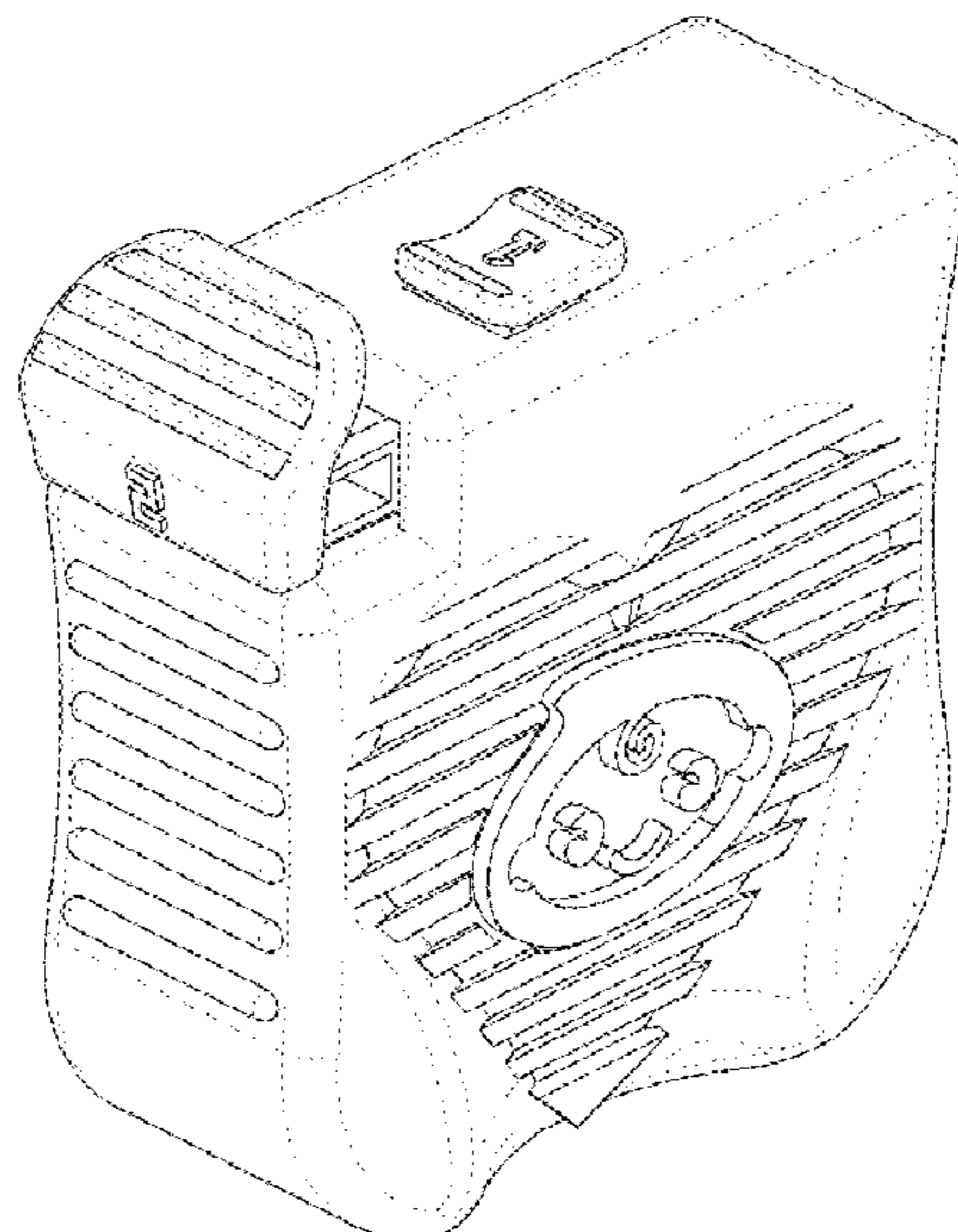
(57) **CLAIM**

The ornamental design for a skin incision device, as shown and described.

DESCRIPTION

FIG. 1 is a left side view of a skin incision device;
FIG. 2 is a top plan view of the skin incision device of FIG. 1;
FIG. 3 is a right side view of the skin incision device of FIG. 1;
FIG. 4 is a bottom plan view of the skin incision device of FIG. 1;
FIG. 5 is a front side view of the skin incision device of FIG. 1;
FIG. 6 is a rear side view of the skin incision device of FIG. 1;
and,
FIG. 7 is a front, top and left perspective view of the skin incision device of FIG. 1.

1 Claim, 7 Drawing Sheets



(56)

References Cited

U.S. PATENT DOCUMENTS

5,782,852 A 7/1998 Foggia et al.
5,797,940 A 8/1998 Mawhirt et al.
5,851,215 A 12/1998 Mawhirt et al.
5,951,582 A 9/1999 Thorne et al.
6,010,519 A 1/2000 Mawhirt et al.
6,042,595 A 3/2000 Morita
D425,199 S * 5/2000 Muramatsu D24/133
6,221,089 B1 4/2001 Mawhirt
6,358,265 B1 3/2002 Thorne, Jr. et al.

D457,638 S * 5/2002 Alstad et al. D24/176
D648,852 S * 11/2011 Shi D24/146
8,048,096 B2 * 11/2011 Wilkinson 606/181
D706,422 S * 6/2014 Ziegler et al. D24/146
D715,493 S * 10/2014 Yiu D28/58
8,858,582 B2 * 10/2014 Schiff et al. 606/181
D728,787 S * 5/2015 Booker et al. D24/146
D729,386 S * 5/2015 Ziegler et al. D24/147
9,064,107 B2 * 6/2015 Reggiardo et al. 1/1
2002/0026721 A1 3/2002 Lee et al.
2005/0033341 A1 2/2005 Vreeke et al.
2005/0125018 A1 6/2005 Galloway et al.

* cited by examiner

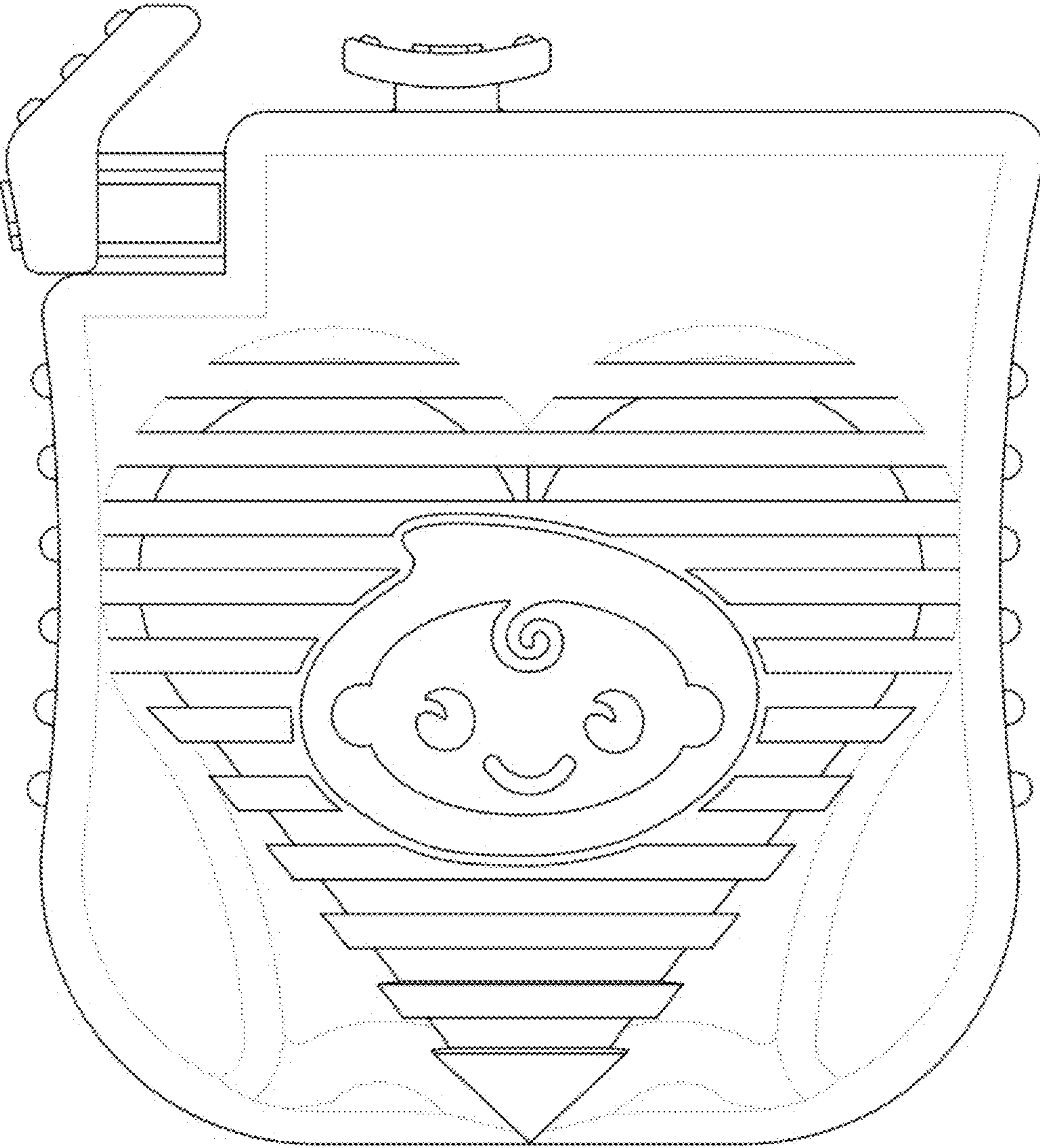


FIG. 1

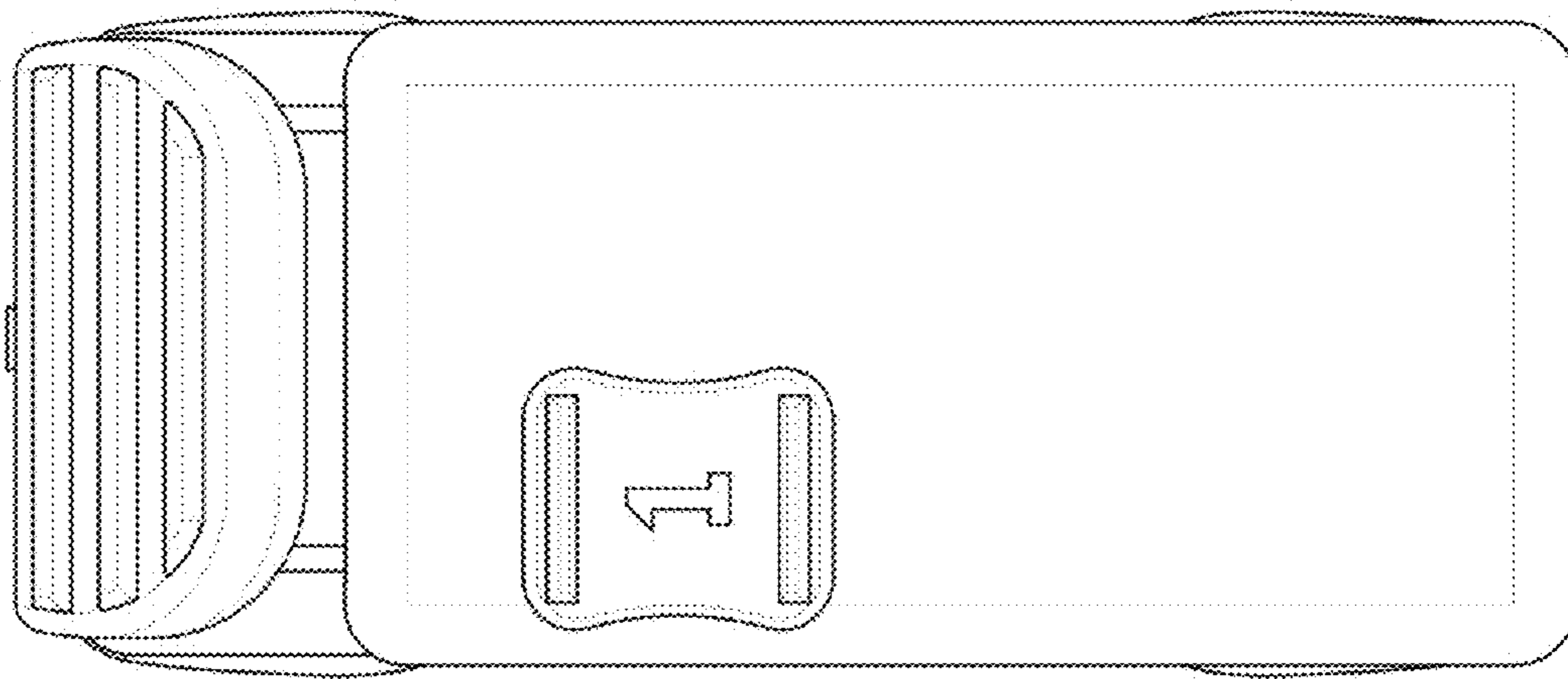


FIG. 2

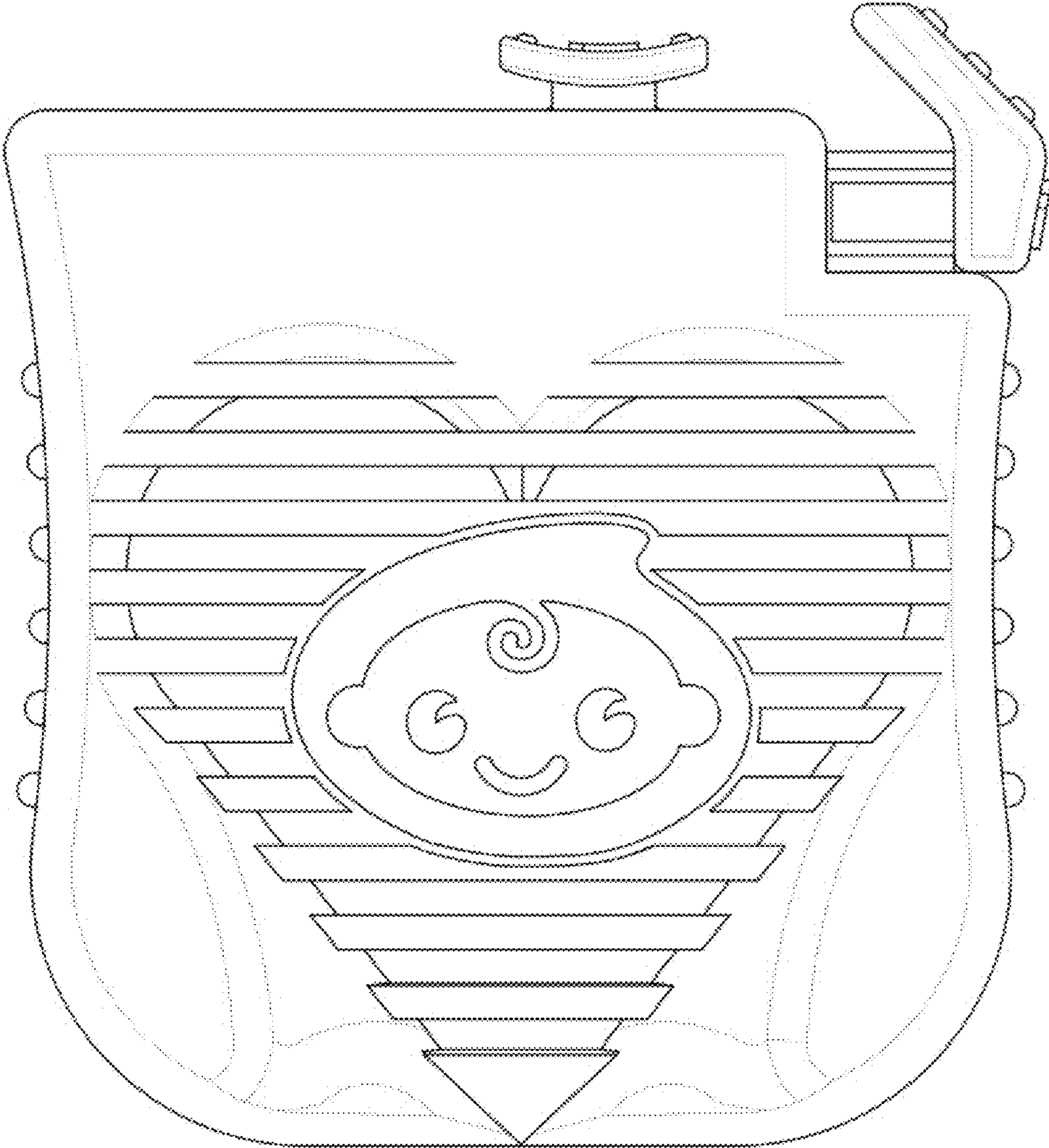


FIG. 3

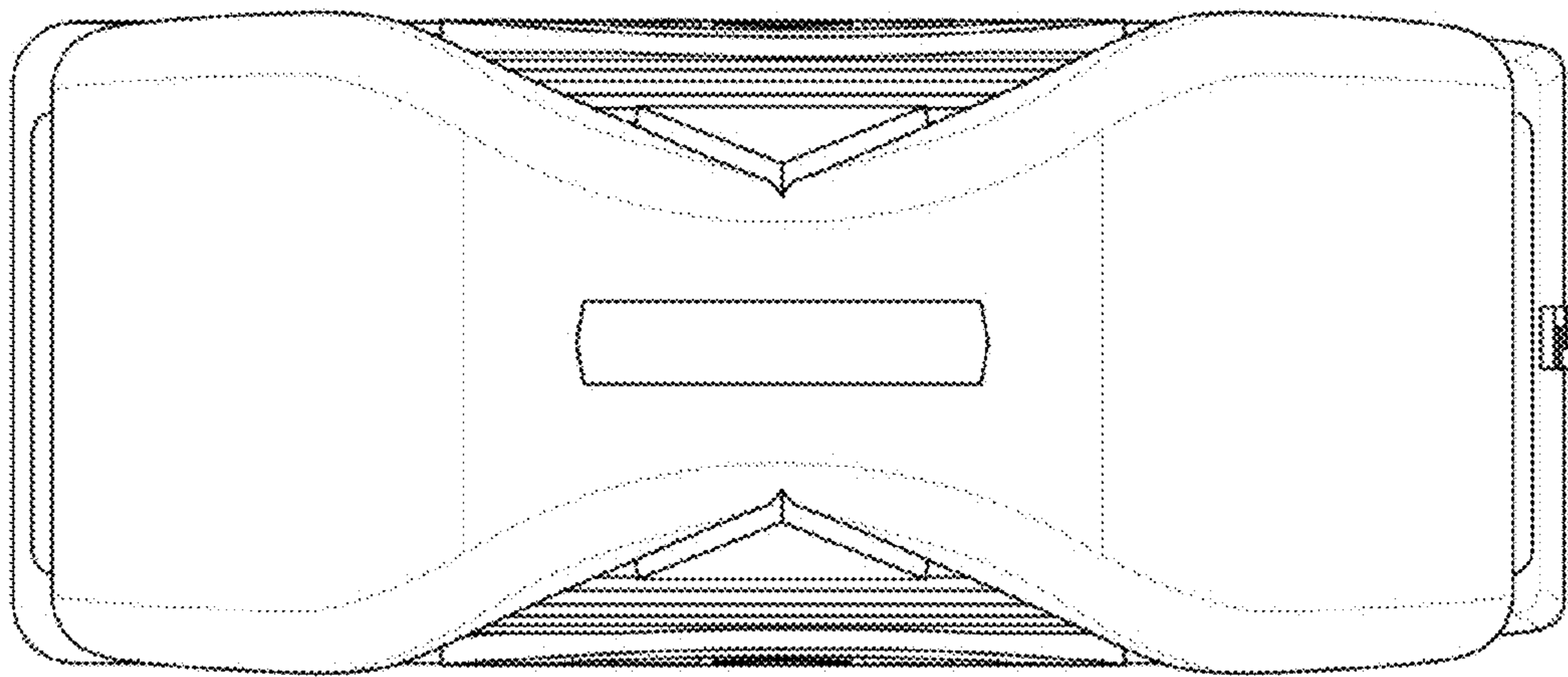


FIG. 4

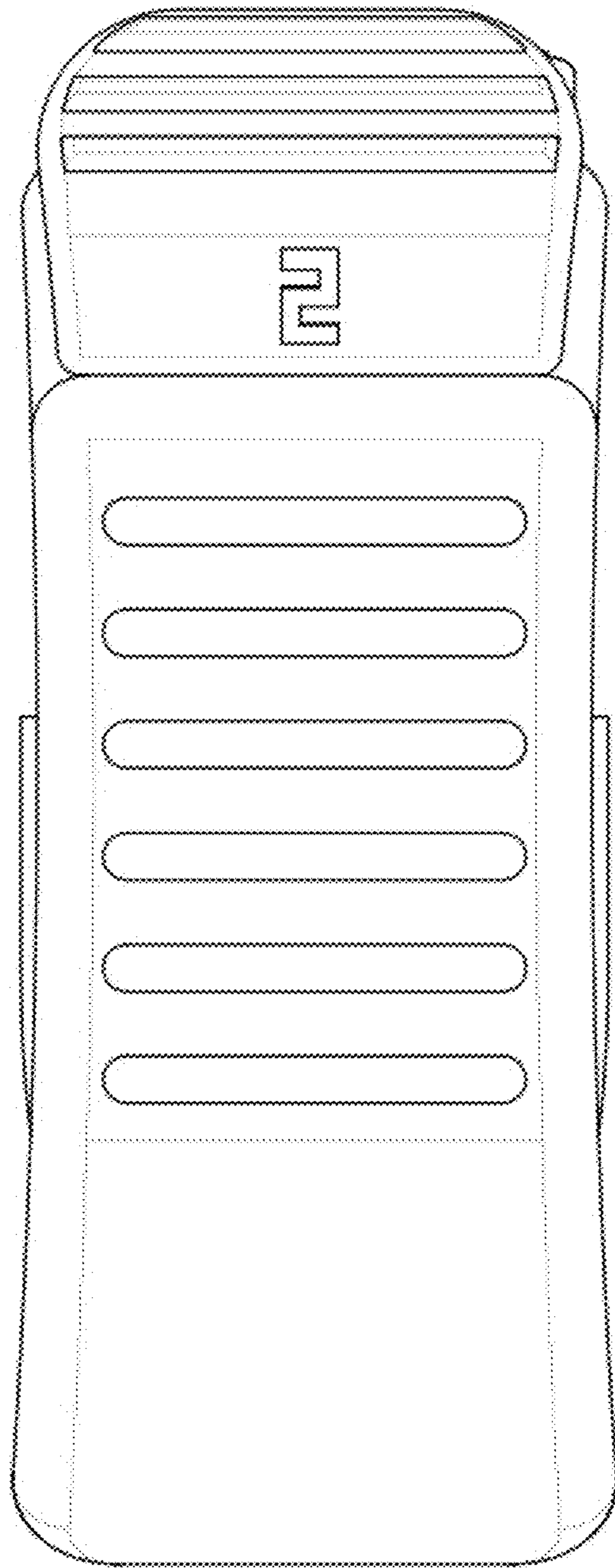


FIG. 5

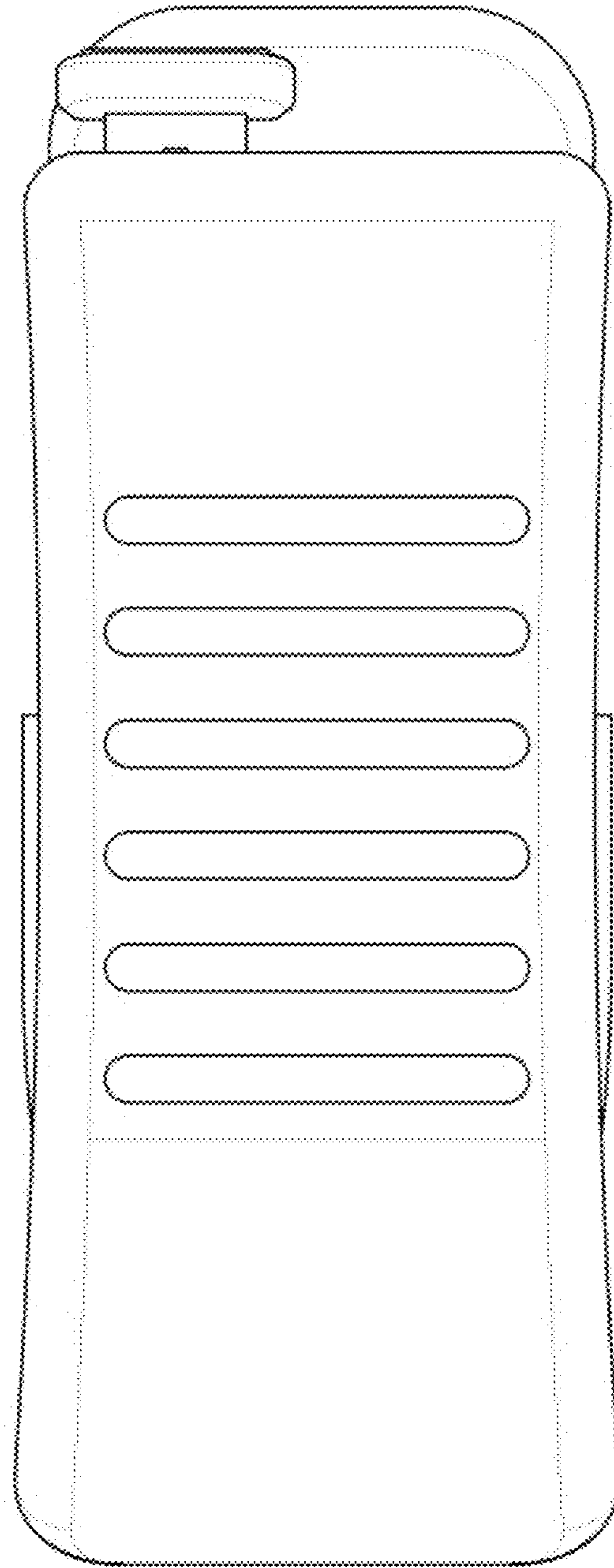


FIG. 6

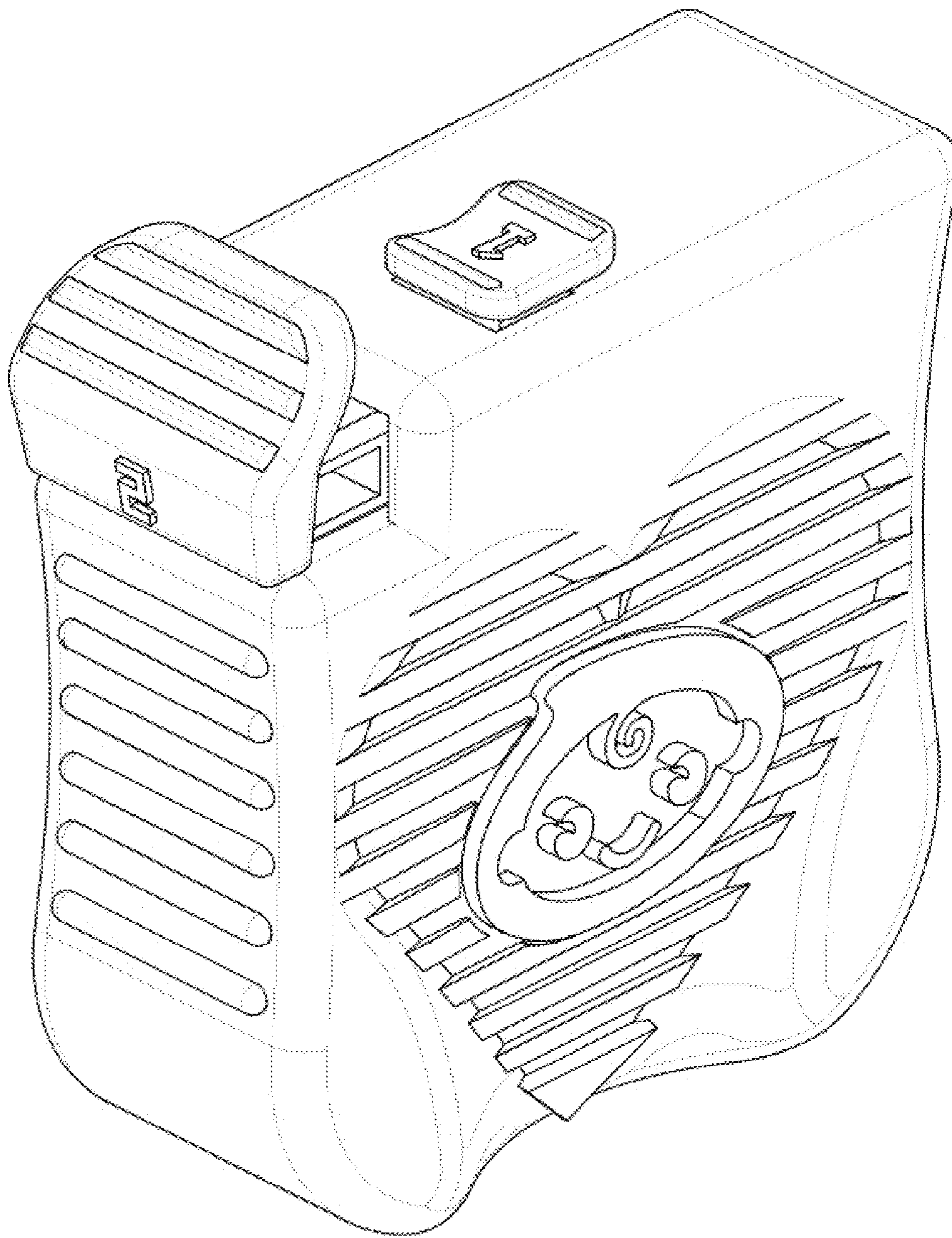


FIG. 7

UNITED STATES PATENT AND TRADEMARK OFFICE
CERTIFICATE OF CORRECTION

PATENT NO. : D742,004 S
APPLICATION NO. : 29/495025
DATED : October 27, 2015
INVENTOR(S) : Rozwadowski et al.

Page 1 of 1

It is certified that error appears in the above-identified patent and that said Letters Patent is hereby corrected as shown below:

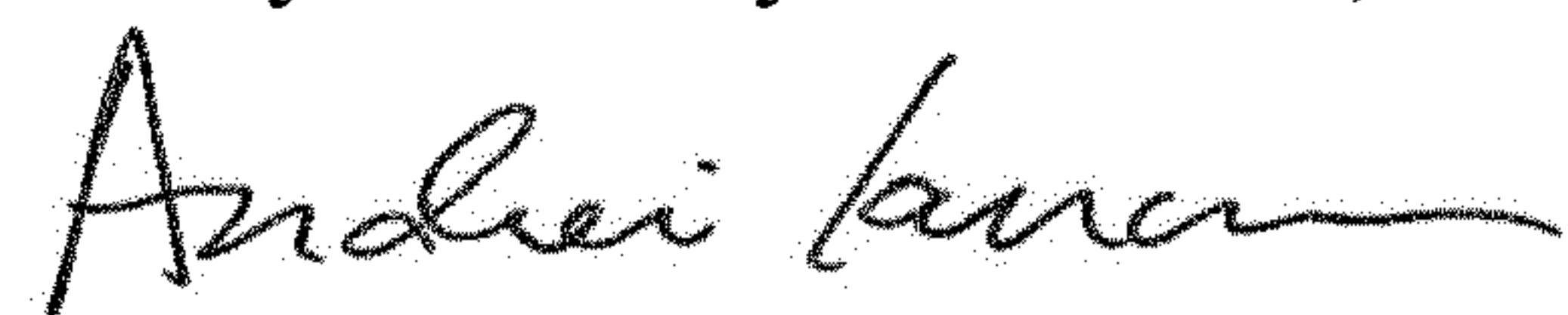
On the Title Page

Item (72) add the following inventors:

Brian E. Jenkins
4142 Industry Way, Flowery Branch, GA 30542
USA

David Zou
1805 North Honggao Road, Xiuzhou Industry Zone, Jiaxing, Zhejiang,
China 314031
China

Signed and Sealed this
Twenty-third Day of October, 2018



Andrei Iancu
Director of the United States Patent and Trademark Office