



US00D742001S

(12) **United States Design Patent**  
**Byrnes et al.**

(10) **Patent No.:** **US D742,001 S**  
(45) **Date of Patent:** **\*\* Oct. 27, 2015**

(54) **TATTOO MACHINE**

(71) Applicant: **Eikon Device Inc.**, Kingston (CA)

(72) Inventors: **Dean Byrnes**, Kingston (CA); **Ben Campbell**, Kingston (CA); **Roman Tangredi**, Madrid (ES); **Mike McGuire**, Ottawa (CA)

(73) Assignee: **Eikon Device Inc.**, Kingston (CA)

(\*\*) Term: **14 Years**

(21) Appl. No.: **29/497,109**

(22) Filed: **Jul. 21, 2014**

(30) **Foreign Application Priority Data**

Jan. 21, 2014 (CA) ..... 154767

(51) **LOC (10) Cl.** ..... **24-02**

(52) **U.S. Cl.**  
USPC ..... **D24/144**; D8/61

(58) **Field of Classification Search**  
USPC ..... D24/133, 140, 144, 146, 147; 606/9, 606/116, 186; 81/9.22; D8/71, 61; D13/164, 162, 110; 327/172  
CPC ..... A61M 37/0076; Y10T 29/49826  
See application file for complete search history.

(56) **References Cited**

**U.S. PATENT DOCUMENTS**

D442,281 S \* 5/2001 Ericsson et al. .... D24/140  
D488,862 S \* 4/2004 McCalmon et al. .... D24/113  
D702,344 S \* 4/2014 Huang ..... D24/133  
D710,169 S \* 8/2014 Guo et al. .... D8/61

D711,534 S \* 8/2014 Huang ..... D24/144  
D714,439 S \* 9/2014 Huang ..... D24/144  
D722,692 S \* 2/2015 Chen et al. .... D24/144  
D724,403 S \* 3/2015 Spierer ..... D8/61  
D724,920 S \* 3/2015 Fisher ..... D8/61  
D724,921 S \* 3/2015 Fisher ..... D8/61  
D729,603 S \* 5/2015 Stephen ..... D8/61  
2006/0108180 A1 \* 5/2006 Grach et al. .... 184/105.2  
2009/0090218 A1 \* 4/2009 Jarboe et al. .... 81/9.22  
2010/0192730 A1 \* 8/2010 Dubin ..... 81/9.22  
2013/0081903 A1 \* 4/2013 Alekseyev et al. .... 184/26

\* cited by examiner

*Primary Examiner* — Austin Murphy

(74) *Attorney, Agent, or Firm* — Fox Rothschild LLP

(57) **CLAIM**

The ornamental design for a tattoo machine, as shown and described.

**DESCRIPTION**

FIG. 1 is a perspective view of the tattoo machine of the present invention.

FIG. 2 is a front view of the tattoo machine shown in FIG. 1.

FIG. 3 is a left side view of the tattoo machine shown in FIG. 1.

FIG. 4 is a top view of the tattoo machine shown in FIG. 1.

FIG. 5 is a bottom view of the tattoo machine shown in FIG. 1.

FIG. 6 is a back view of the tattoo machine shown in FIG. 1; and,

FIG. 7 is a perspective view of the tattoo machine shown in FIG. 1.

In the drawings, the broken lines are shown for illustrative purposes only and form no portion of the claimed design.

**1 Claim, 7 Drawing Sheets**

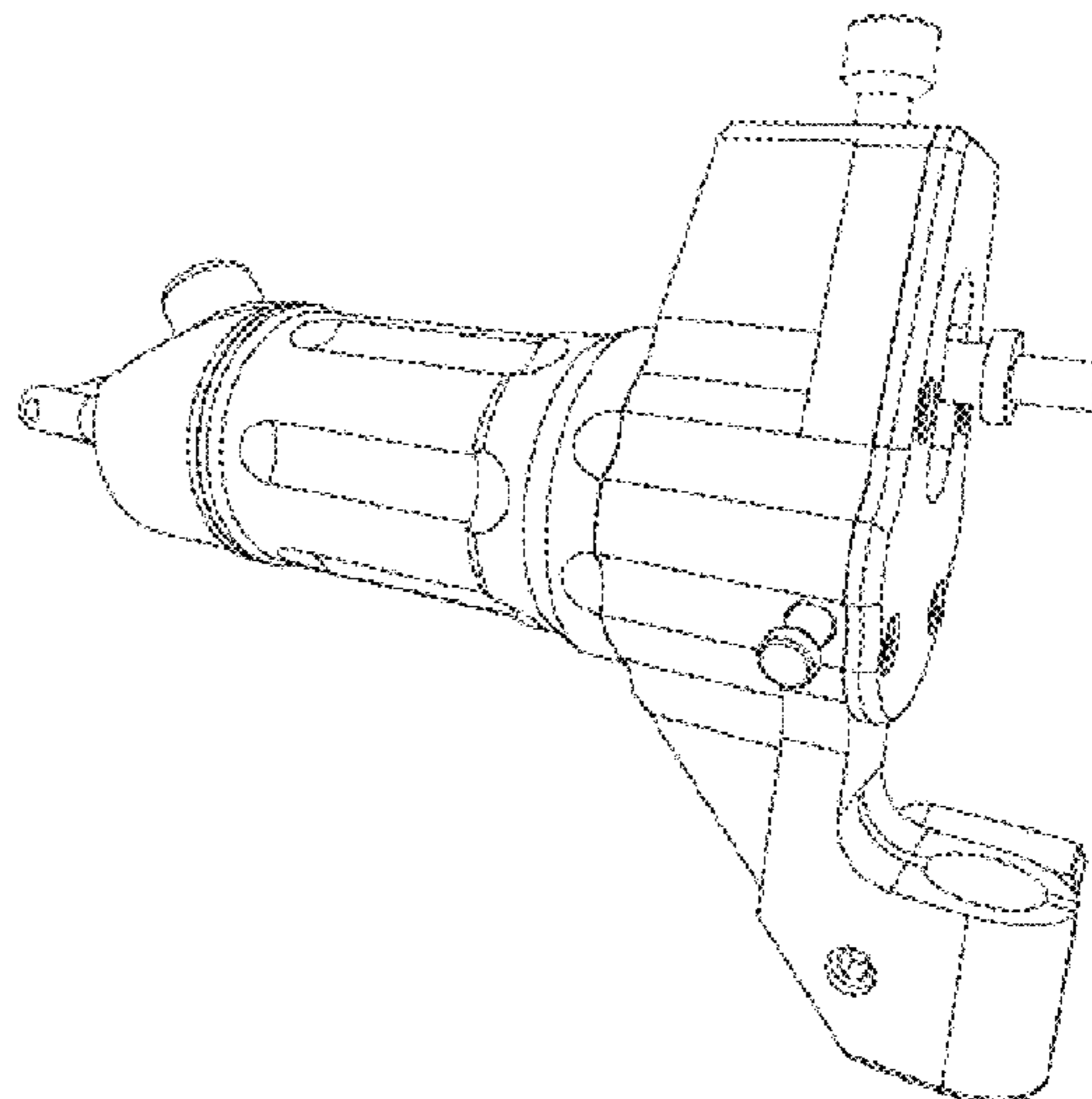
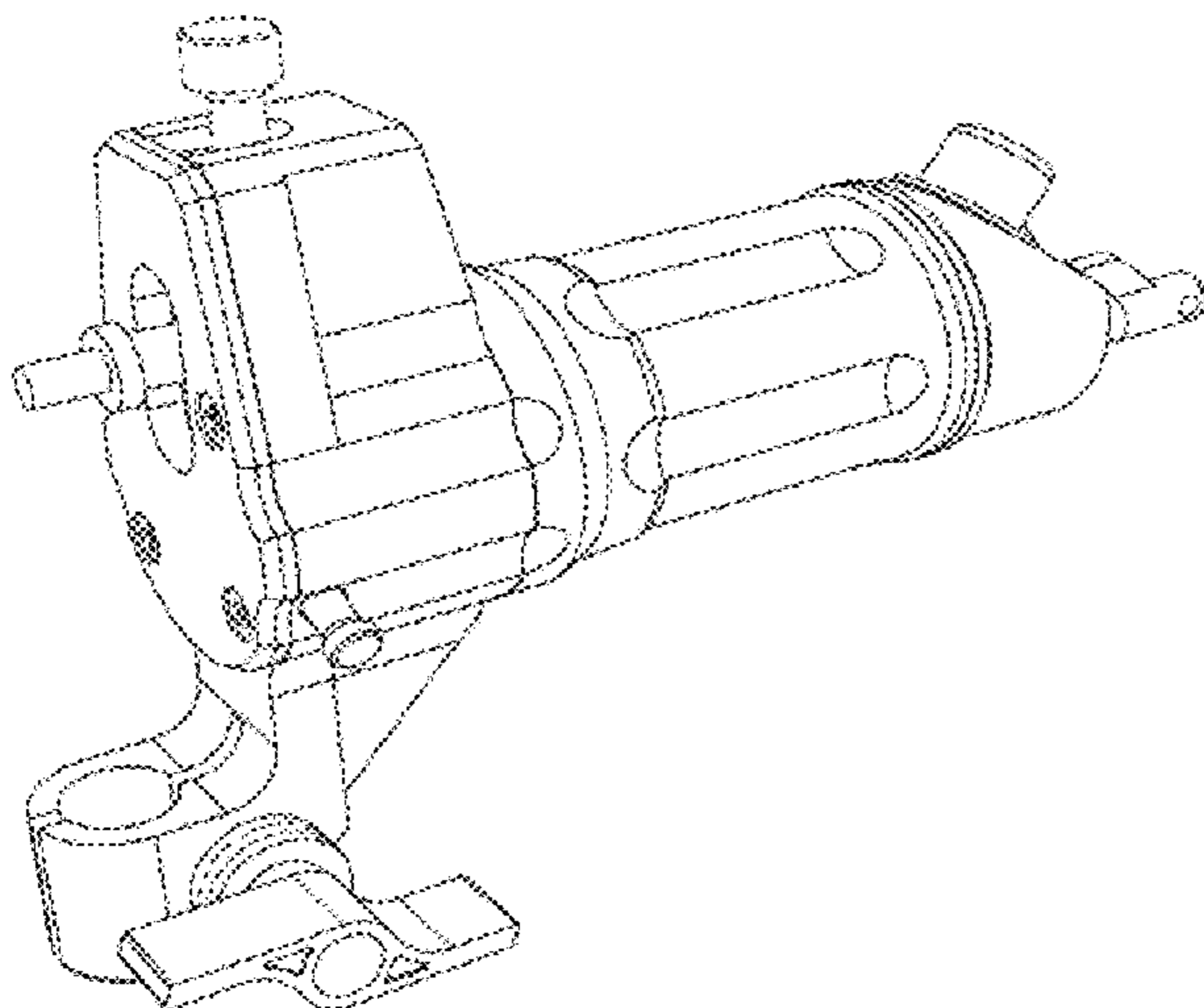


FIG. 1

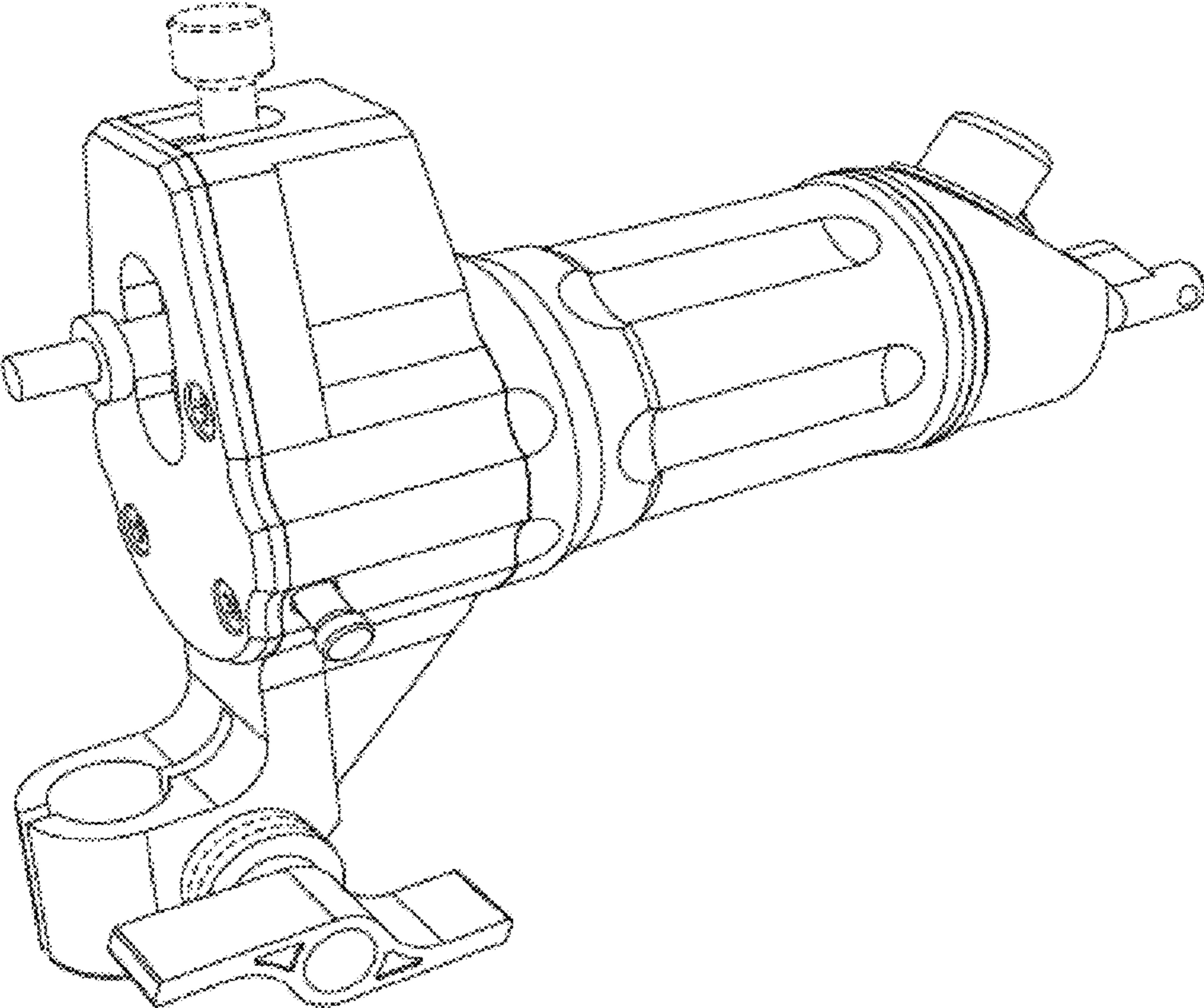


FIG. 2

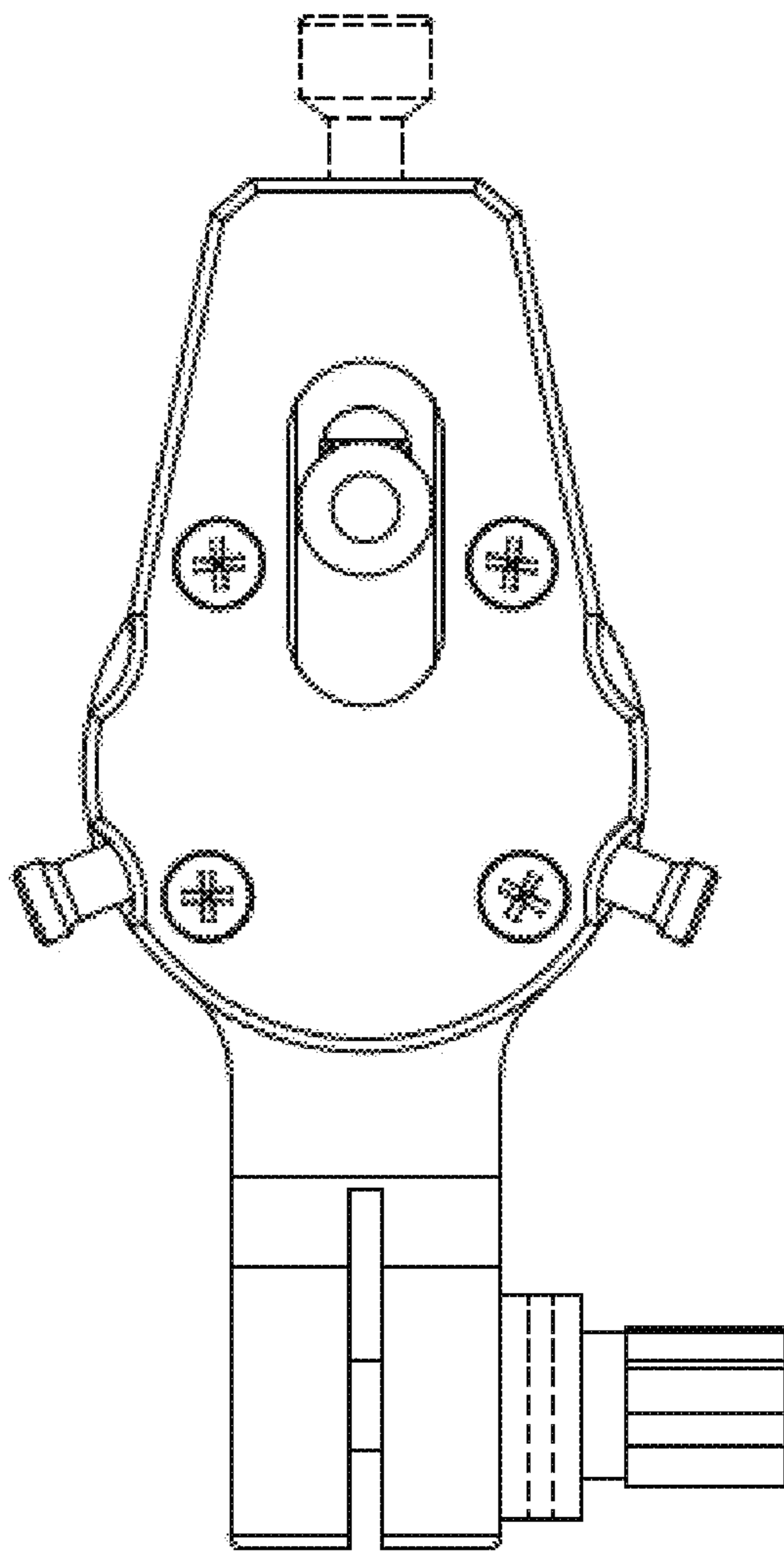


FIG. 3

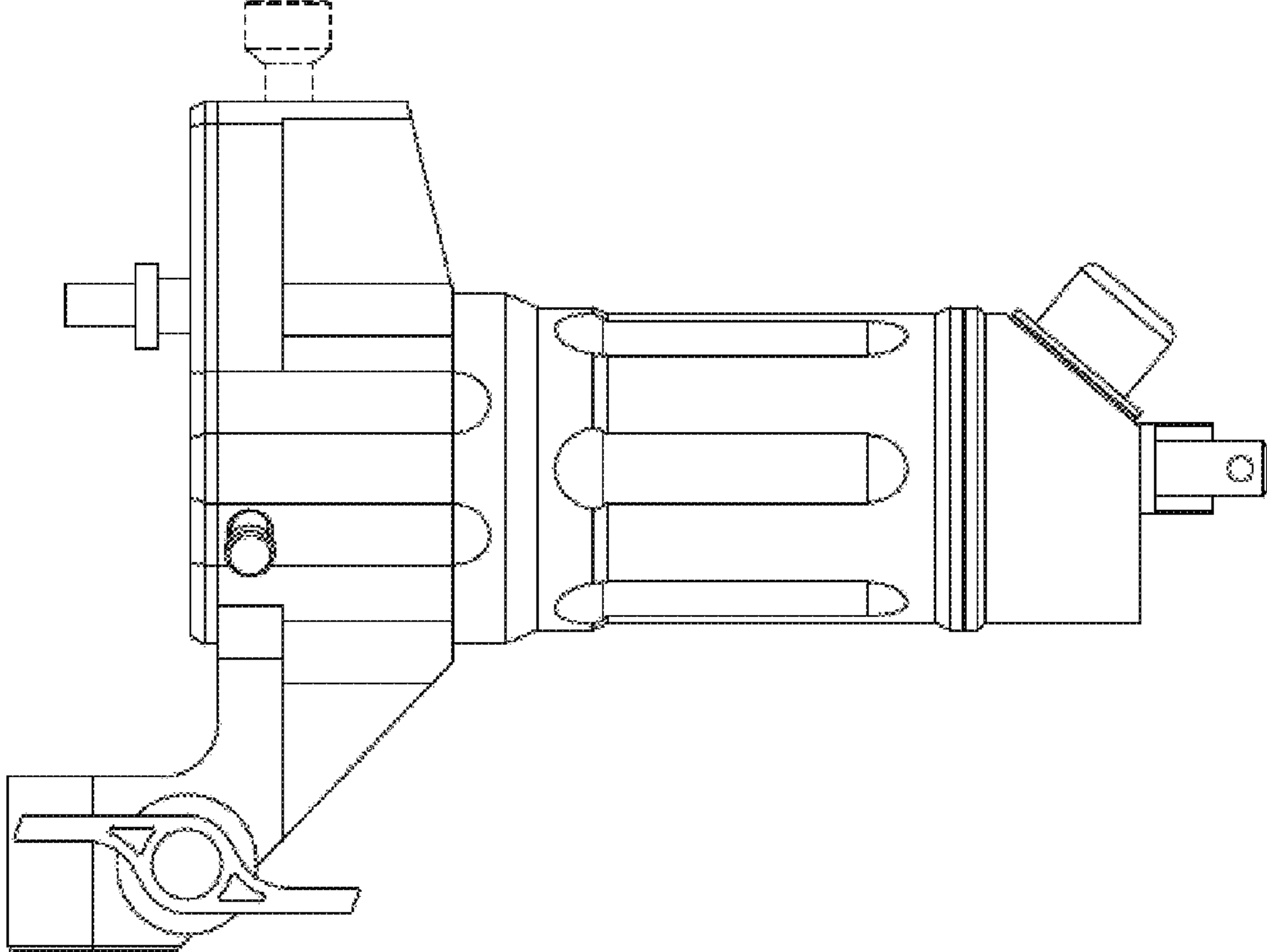


FIG. 4

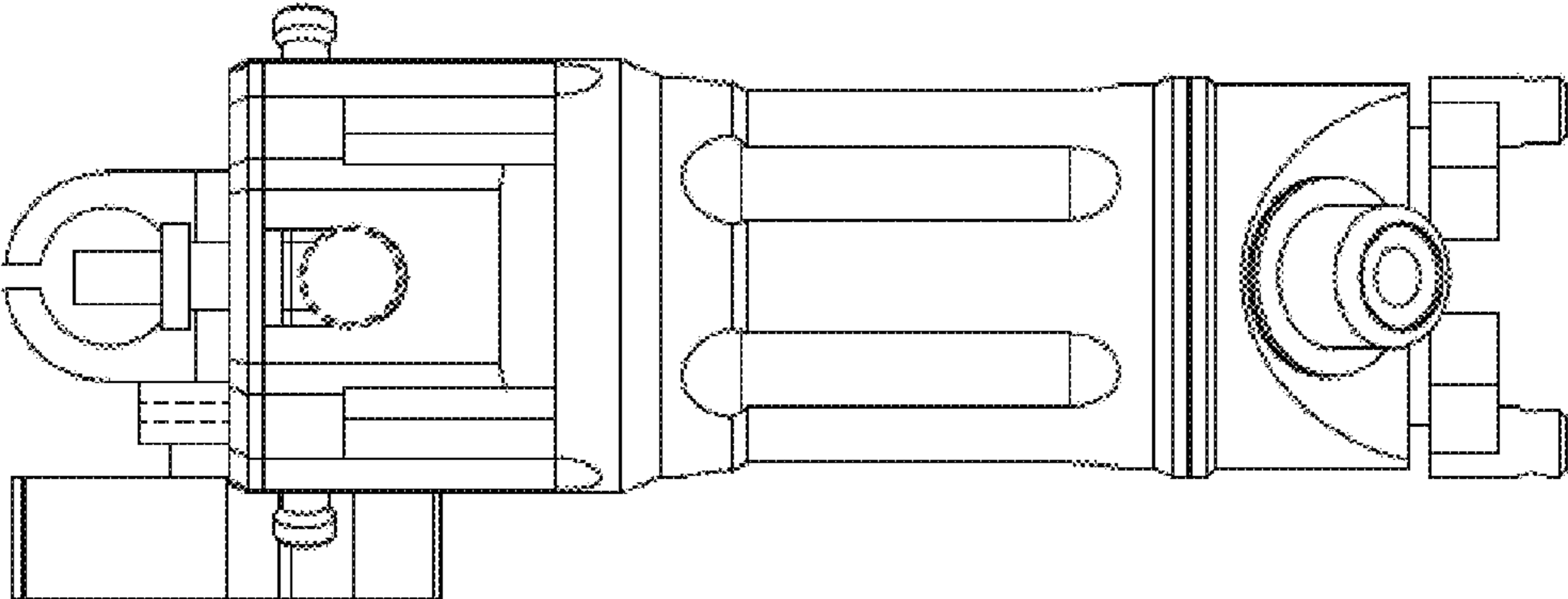


FIG. 5

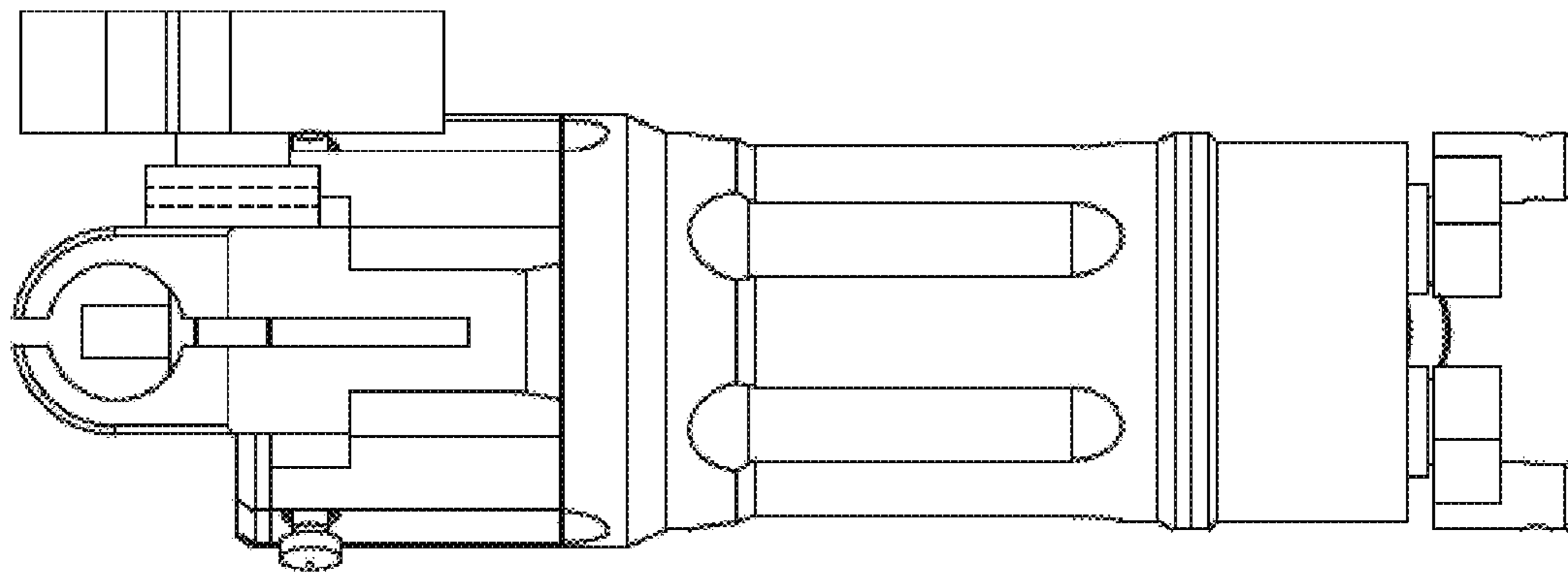


FIG. 6

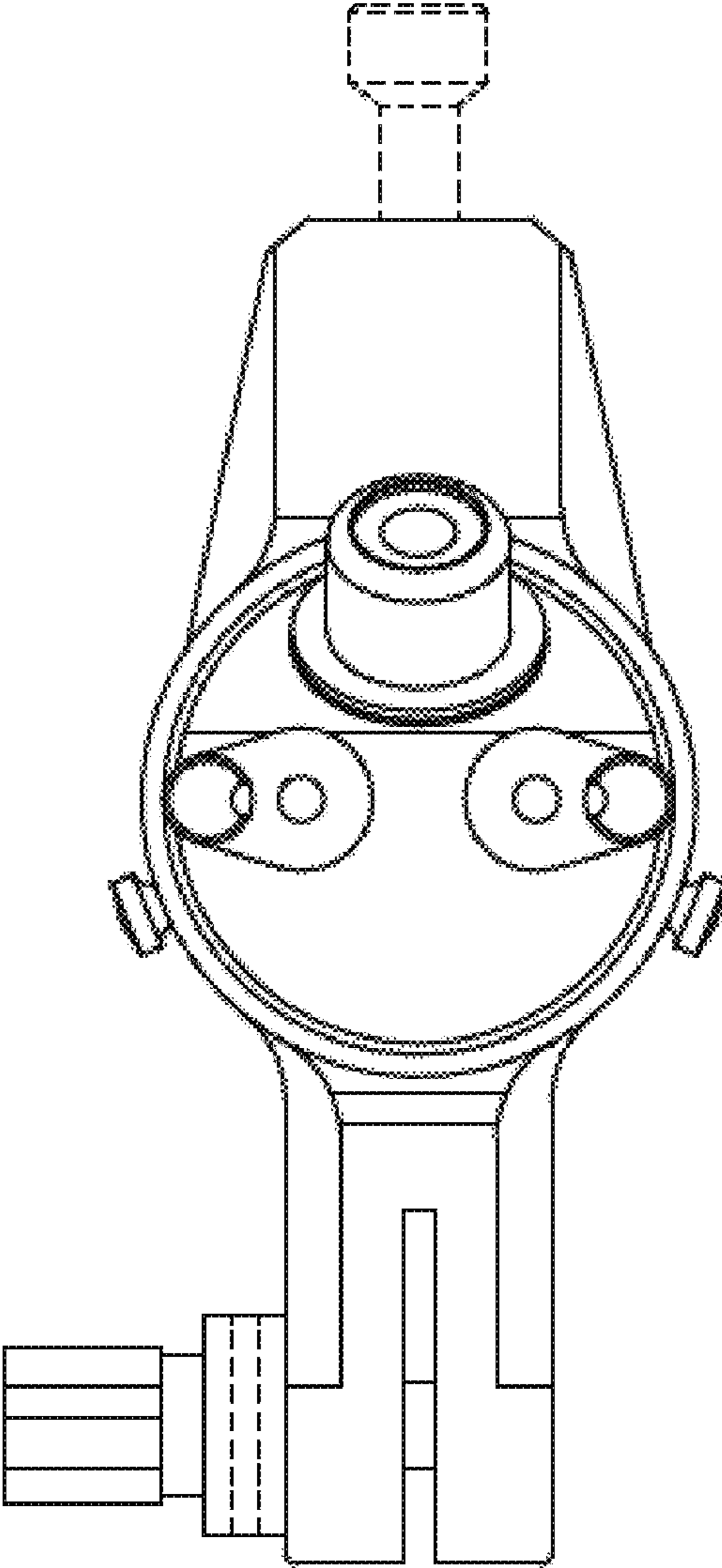


FIG. 7

