



US00D741997S

(12) **United States Design Patent**
Ierulli

(10) **Patent No.:** **US D741,997 S**
(45) **Date of Patent:** **** Oct. 27, 2015**

- (54) **NASAL DILATOR**
- (71) Applicant: **Joseph Vincent Ierulli**, Vancouver, WA (US)
- (72) Inventor: **Joseph Vincent Ierulli**, Vancouver, WA (US)
- (73) Assignee: **Corbett Lair Inc.**, Vancouver, WA (US)
- (**) Term: **14 Years**
- (21) Appl. No.: **29/475,207**
- (22) Filed: **Dec. 1, 2013**

- 5,533,503 A 7/1996 Doubek et al.
- 5,546,929 A 8/1996 Muchin
- 5,549,103 A 8/1996 Johnson
- RE35,408 E 12/1996 Petruson
- 5,611,333 A 3/1997 Johnson
- 5,653,224 A 8/1997 Johnson
- 5,706,800 A 1/1998 Cronk et al.
- 5,718,224 A 2/1998 Muchin

(Continued)

FOREIGN PATENT DOCUMENTS

ES 289561 10/1985

Primary Examiner — Bridget L Eland

Assistant Examiner — Lauren McVey

(74) *Attorney, Agent, or Firm* — Mersenne Law

Related U.S. Application Data

- (60) Continuation of application No. 29/433,556, filed on Oct. 1, 2012, now Pat. No. Des. 707,814, which is a continuation of application No. 29/420,787, filed on May 13, 2012, now Pat. No. Des. 671,643, which is a division of application No. 29/399,247, filed on Aug. 11, 2011, now Pat. No. Des. 667,543, which is a division of application No. 29/380,763, filed on Dec. 10, 2010, now Pat. No. Des. 659,245, which is a continuation-in-part of application No. 12/106,289, filed on Apr. 19, 2008, now Pat. No. 8,062,329.
- (51) **LOC (10) Cl.** **24-02**
- (52) **U.S. Cl.**
USPC **D24/135**
- (58) **Field of Classification Search**
USPC D24/133, 135, 136; 606/191-199
CPC A61F 5/08; A61B 17/0057; A61B 1/233;
A61B 2017/248; A61M 29/00; A61M 29/02
See application file for complete search history.

(57) **CLAIM**

The ornamental design for a nasal dilator, as shown and described.

DESCRIPTION

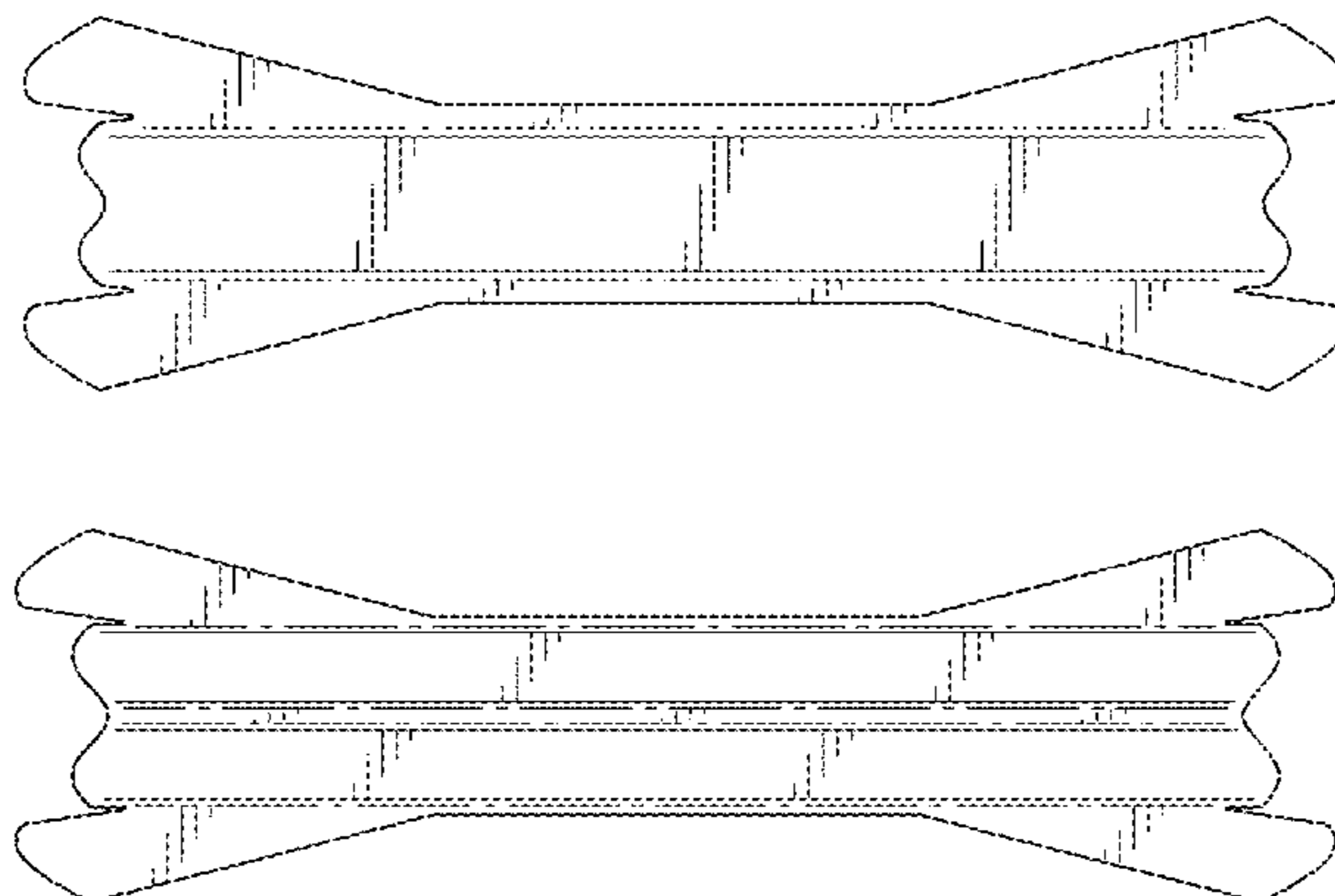
FIG. 1 is a perspective view of a first embodiment of a nasal dilator showing my new design;
 FIG. 2 is a top plan view thereof;
 FIG. 3 is a front view thereof, the rear view being a mirror image thereof;
 FIG. 4 is a right side view thereof, the left side view being a mirror image thereof;
 FIG. 5 is a bottom plan view thereof;
 FIG. 6 is a perspective view of a second embodiment of a nasal dilator showing my new design;
 FIG. 7 is a top plan view thereof;
 FIG. 8 is a front view thereof, the rear view being a mirror image thereof;
 FIG. 9 is a right side view thereof, the left side view being a mirror image thereof; and,
 FIG. 10 is a bottom plan view thereof.
 The broken line showing of human facial features is directed to environment and is for illustrative purposes only; the broken lines form no part of the claimed design.

(56) **References Cited**

U.S. PATENT DOCUMENTS

- 5,476,091 A 12/1995 Johnson
- 5,479,944 A 1/1996 Petruson
- 5,533,499 A 7/1996 Johnson

1 Claim, 2 Drawing Sheets



(56)

References Cited

U.S. PATENT DOCUMENTS

5,769,089	A	6/1998	Hand et al.	D667,543	S	9/2012	Ierulli	
5,890,486	A	4/1999	Mitra et al.	D671,643	S	11/2012	Ierulli	
5,931,854	A	8/1999	Dillon	D672,461	S	12/2012	Brogden et al.	
5,957,126	A	9/1999	Neeser	D672,872	S	12/2012	Brunner et al.	
6,006,746	A	12/1999	Karell	D673,270	S	12/2012	Brunner et al.	
6,029,658	A	2/2000	De Voss	8,342,173	B2	1/2013	Lockwood, Jr.	
6,058,931	A	5/2000	Muchin	8,444,670	B2	5/2013	Ierulli	
6,065,470	A	5/2000	Van Cromvoirt et al.	8,584,671	B2	11/2013	Ierulli	
6,098,616	A	8/2000	Lundy et al.	D701,957	S *	4/2014	Brunner et al.	D24/135
6,196,228	B1	3/2001	Kreitzer et al.	D703,318	S *	4/2014	Brunner et al.	D24/135
6,244,265	B1	6/2001	Cronk et al.	D706,925	S *	6/2014	Reyers	D24/135
6,276,360	B1	8/2001	Cronk et al.	D706,926	S *	6/2014	Reyers	D24/135
6,318,362	B1	11/2001	Johnson	D707,814	S *	6/2014	Ierulli	D24/135
6,357,436	B1	3/2002	Kreitzer et al.	D707,815	S *	6/2014	Ierulli	D24/135
6,375,667	B1	4/2002	Ruch	D722,161	S *	2/2015	Reyers	D24/135
6,453,901	B1	9/2002	Ierulli	D722,162	S *	2/2015	Reyers	D24/135
6,470,883	B1	10/2002	Beaudry	2008/0058858	A1	3/2008	Smith	
6,550,474	B1	4/2003	Anderson et al.	2008/0097517	A1	4/2008	Holmes et al.	
6,694,970	B2	2/2004	Spinelli et al.	2008/0184995	A1	8/2008	Ierulli	
6,769,428	B2	8/2004	Cronk et al.	2009/0125052	A1	5/2009	Pinna et al.	
6,769,429	B1	8/2004	Benetti	2009/0234383	A1	9/2009	Ierulli	
7,067,710	B1	6/2006	Beaudry	2010/0298861	A1	11/2010	Fenton	
7,114,495	B2	10/2006	Lockwood, Jr.	2011/0000483	A1	1/2011	Matthias et al.	
D639,762	S	6/2011	Brogden et al.	2011/0054517	A1	3/2011	Holmes et al.	
D644,324	S	8/2011	Brunner et al.	2011/0093004	A1	4/2011	Ierulli	
D644,325	S	8/2011	Brunner et al.	2011/0166594	A1	7/2011	Eull	
8,047,201	B2	11/2011	Guyuron et al.	2011/0224717	A1	9/2011	Lockwood	
8,062,329	B2	11/2011	Ierulli	2011/0295312	A1	12/2011	Ierulli	
D651,710	S	1/2012	Brogden et al.	2012/0004683	A1	1/2012	Gray	
8,115,049	B2	2/2012	Beaudry	2012/0022582	A1	1/2012	Guyuron	
D659,245	S	5/2012	Ierulli	2012/0067345	A1	3/2012	Shilon	
8,188,330	B2	5/2012	Beaudry	2012/0172923	A1	7/2012	Fenton	
D662,203	S	6/2012	Smith	2012/0209313	A1	8/2012	Ierulli	
				2012/0232455	A1	9/2012	Beaudry	
				2013/0104882	A1	5/2013	Ierulli	
				2013/0118488	A1	5/2013	Ledogar	

* cited by examiner

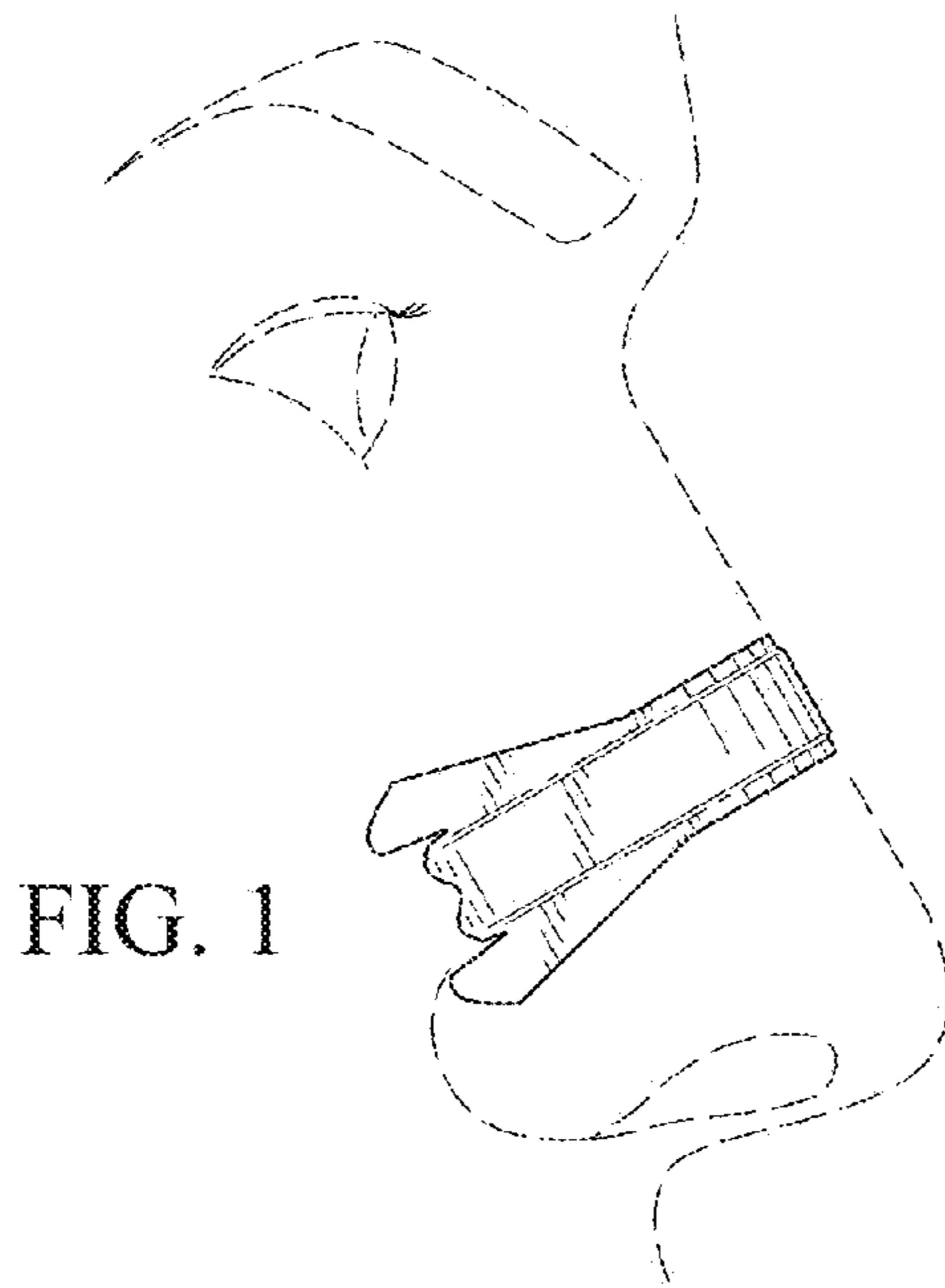


FIG. 1

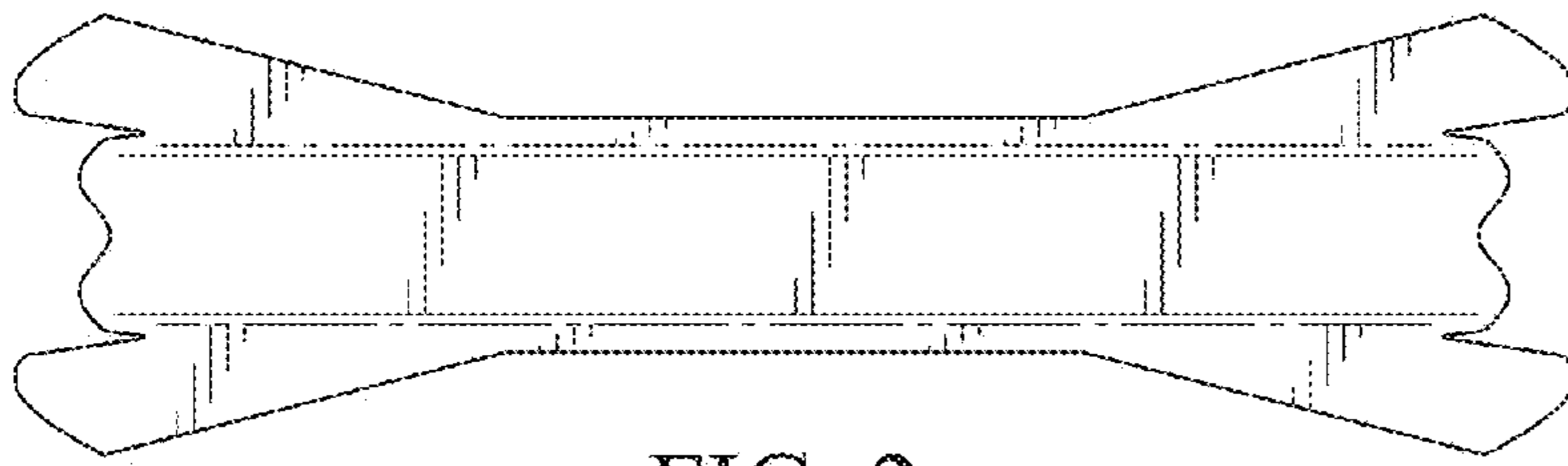


FIG. 2

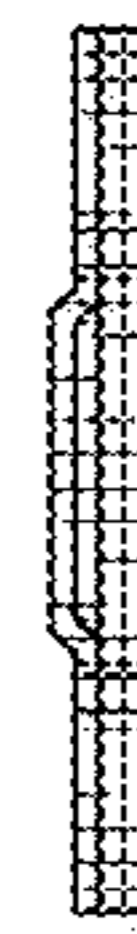


FIG. 4

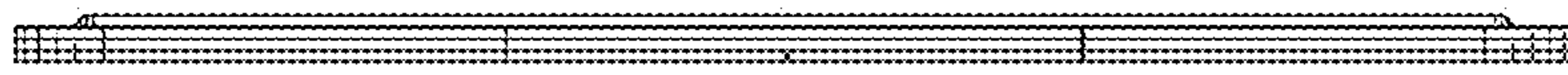


FIG. 3

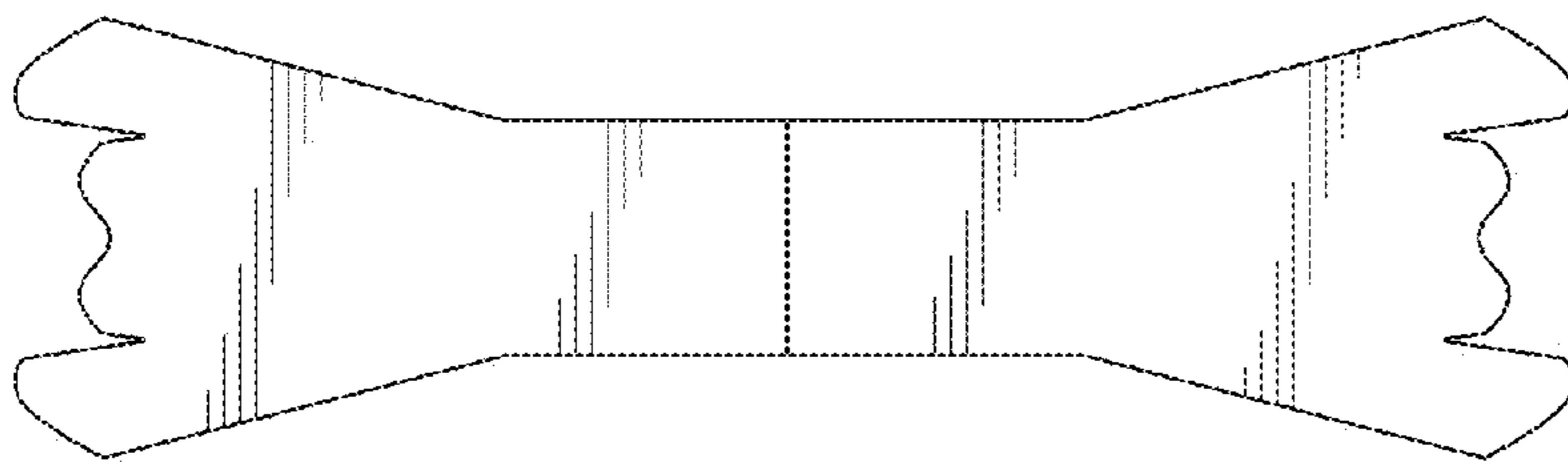


FIG. 5

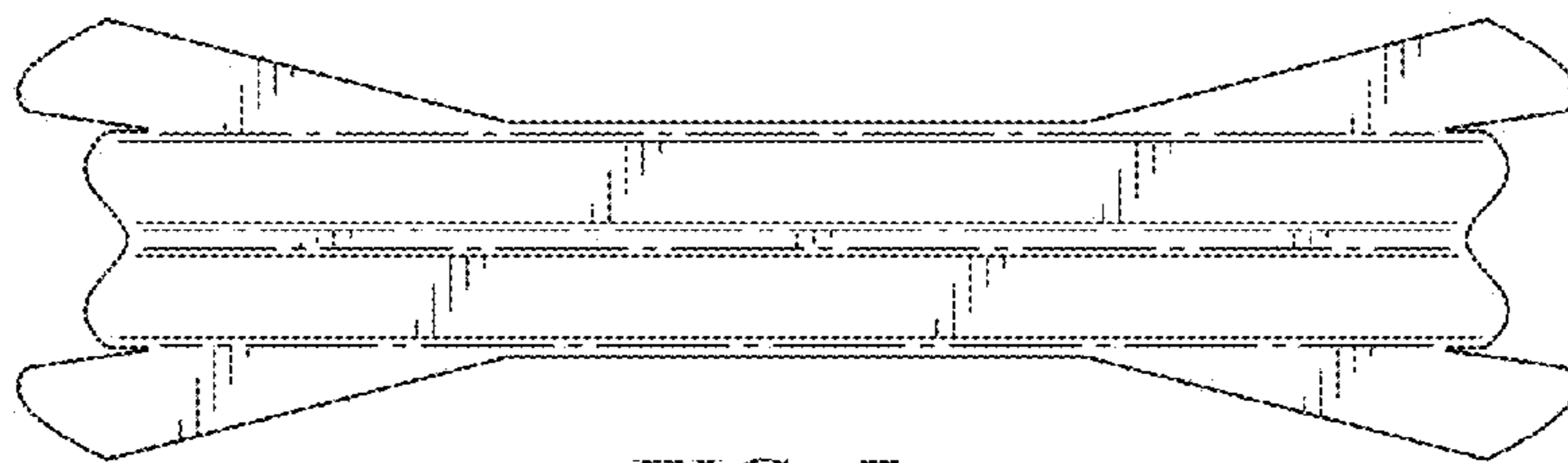
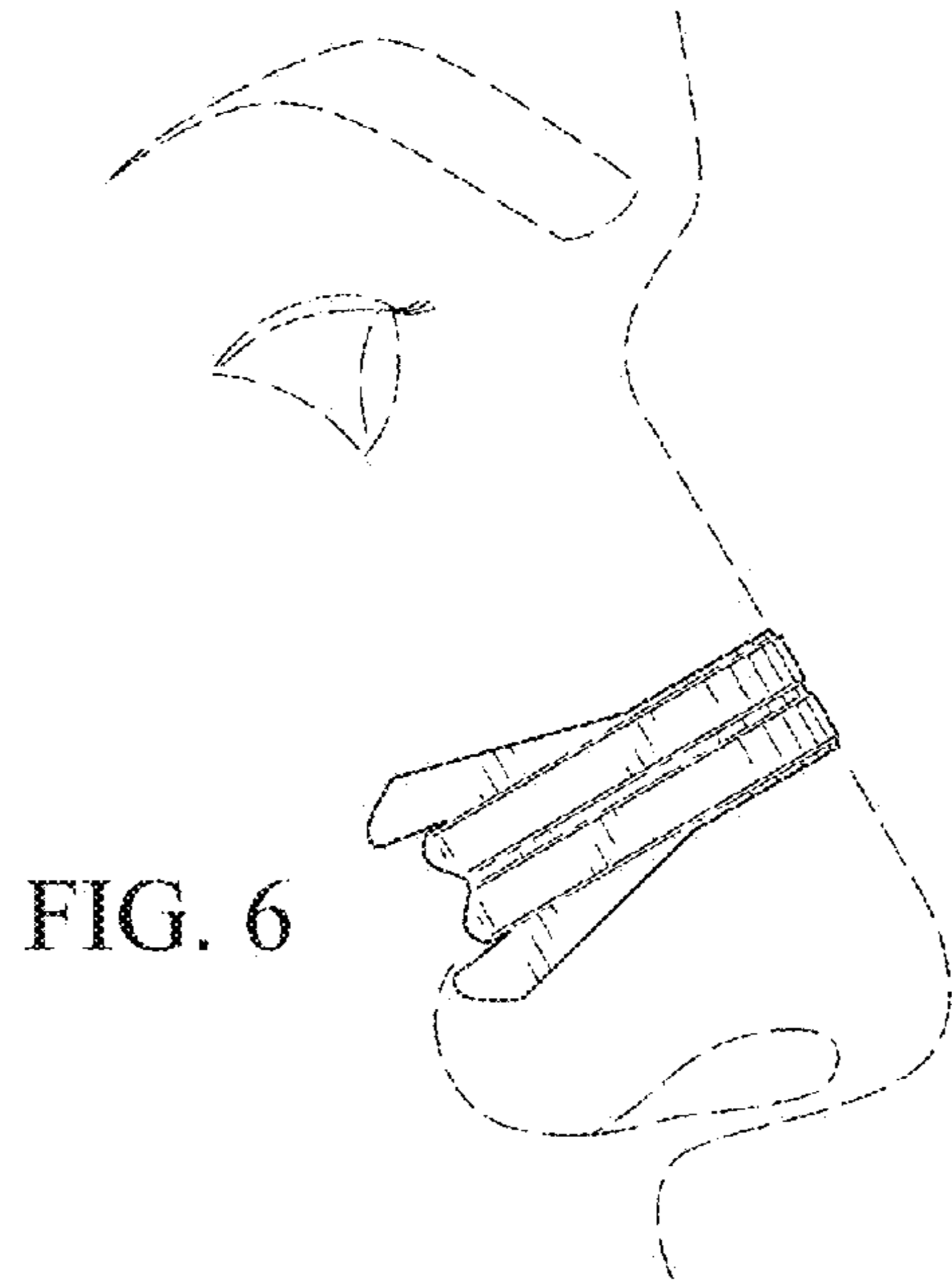


FIG. 7



FIG. 9

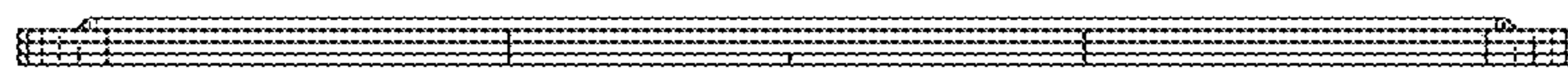


FIG. 8

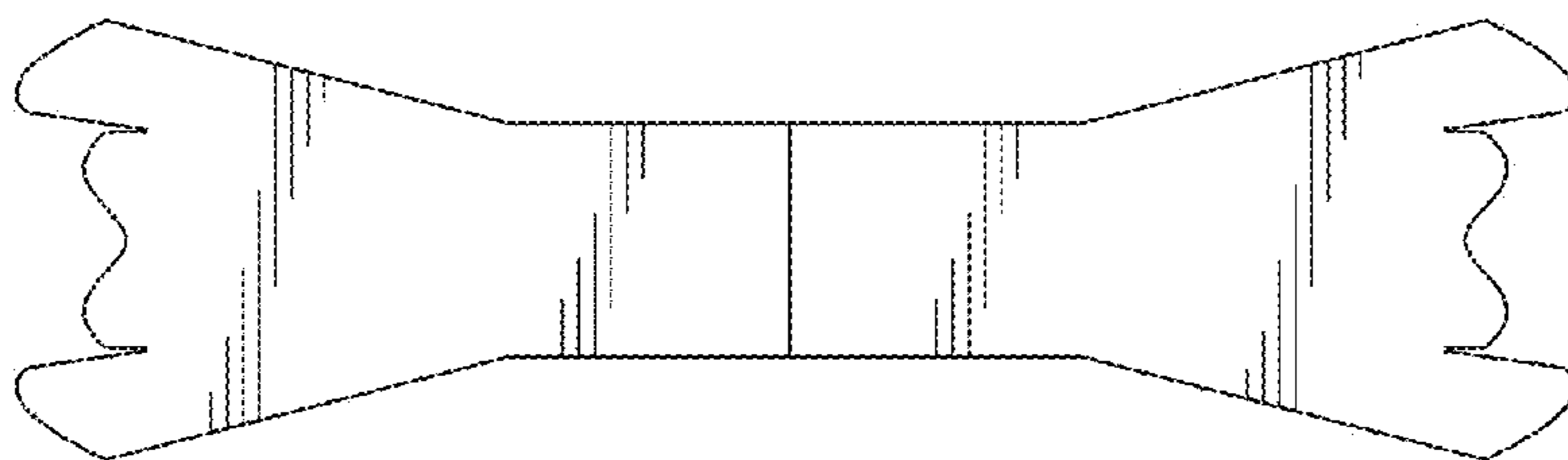


FIG. 10