



US00D741994S

(12) **United States Design Patent**
Tominaga et al.

(10) **Patent No.:** **US D741,994 S**

(45) **Date of Patent:** **** Oct. 27, 2015**

(54) **DRUG SOLUTION BOX**

(71) Applicants: **SEKISUI MEDICAL CO., LTD.**,
Tokyo (JP); **SEKISUI TECHNO**
MOLDING CO., LTD., Tokyo (JP)

(72) Inventors: **Satoru Tominaga**, Tokyo (JP); **Takashi**
Yosida, Tokyo (JP); **Takuya Yotani**,
Tokyo (JP); **Hiroaki Taira**, Tokyo (JP);
Yuriko Yamada, Tokyo (JP)

(73) Assignees: **SEKISUI MEDICAL CO., LTD.**,
Tokyo (JP); **SEKISUI TECHNO**
MOLDING CO., LTD., Tokyo (JP)

(**) Term: **14 Years**

(21) Appl. No.: **29/480,090**

(22) Filed: **Jan. 23, 2014**

(30) **Foreign Application Priority Data**

Jul. 26, 2013 (JP) 2013-017072

(51) **LOC (10) Cl.** **24-01**

(52) **U.S. Cl.**
USPC **D24/108**

(58) **Field of Classification Search**

USPC D24/108, 216, 219, 223, 231, 232, 233,
D24/186, 107; D10/81; 96/102, 105, 107;
436/161; 73/863.01, 863.02, 863.03,
73/863.31, 863.32; 250/288; 530/413;
210/635, 656, 657, 198.2

See application file for complete search history.

(56) **References Cited**

U.S. PATENT DOCUMENTS

D367,110	S	*	2/1996	Cotter	D24/118
D383,837	S	*	9/1997	Cotter	D24/108
D387,157	S	*	12/1997	Cotter	D24/118
D599,235	S	*	9/2009	Oberg	D10/81
D692,155	S	*	10/2013	Matoba et al.	D24/216
D692,156	S	*	10/2013	Matoba et al.	D24/216
D693,712	S	*	11/2013	Noda et al.	D10/81
D719,670	S	*	12/2014	Nishikawa et al.	D24/216
D719,671	S	*	12/2014	Nishikawa et al.	D24/216
2003/0180185	A1	*	9/2003	Rose	422/70
2013/0256523	A1	*	10/2013	Steiner et al.	250/282

* cited by examiner

Primary Examiner — Wan Laymon

Assistant Examiner — Mark Booker

(74) *Attorney, Agent, or Firm* — Bacon & Thomas, PLLC

(57) **CLAIM**

The ornamental design for drug solution box, as shown and described.

DESCRIPTION

FIG. 1 is a perspective view of the drug solution box.

FIG. 2 is a front view of the drug solution box.

FIG. 3 is a rear view of the drug solution box.

FIG. 4 is a top plan view of the drug solution box.

FIG. 5 is a bottom plan view of the drug solution box.

FIG. 6 is a right side view of the drug solution box (a left side view of the Invention appears symmetrical with the right side view of the Invention).

FIG. 7 is a vertical sectional view of the drug solution box along line 7-7 of FIG. 2.

FIG. 8 is a reference perspective view of the drug solution box showing the usage; and,

FIG. 9 is a cross-section view of the drug solution box taken along line 9-9 of FIG. 8.

The broken lines illustrate environmental subject matter and form no part of the claimed design.

1 Claim, 9 Drawing Sheets

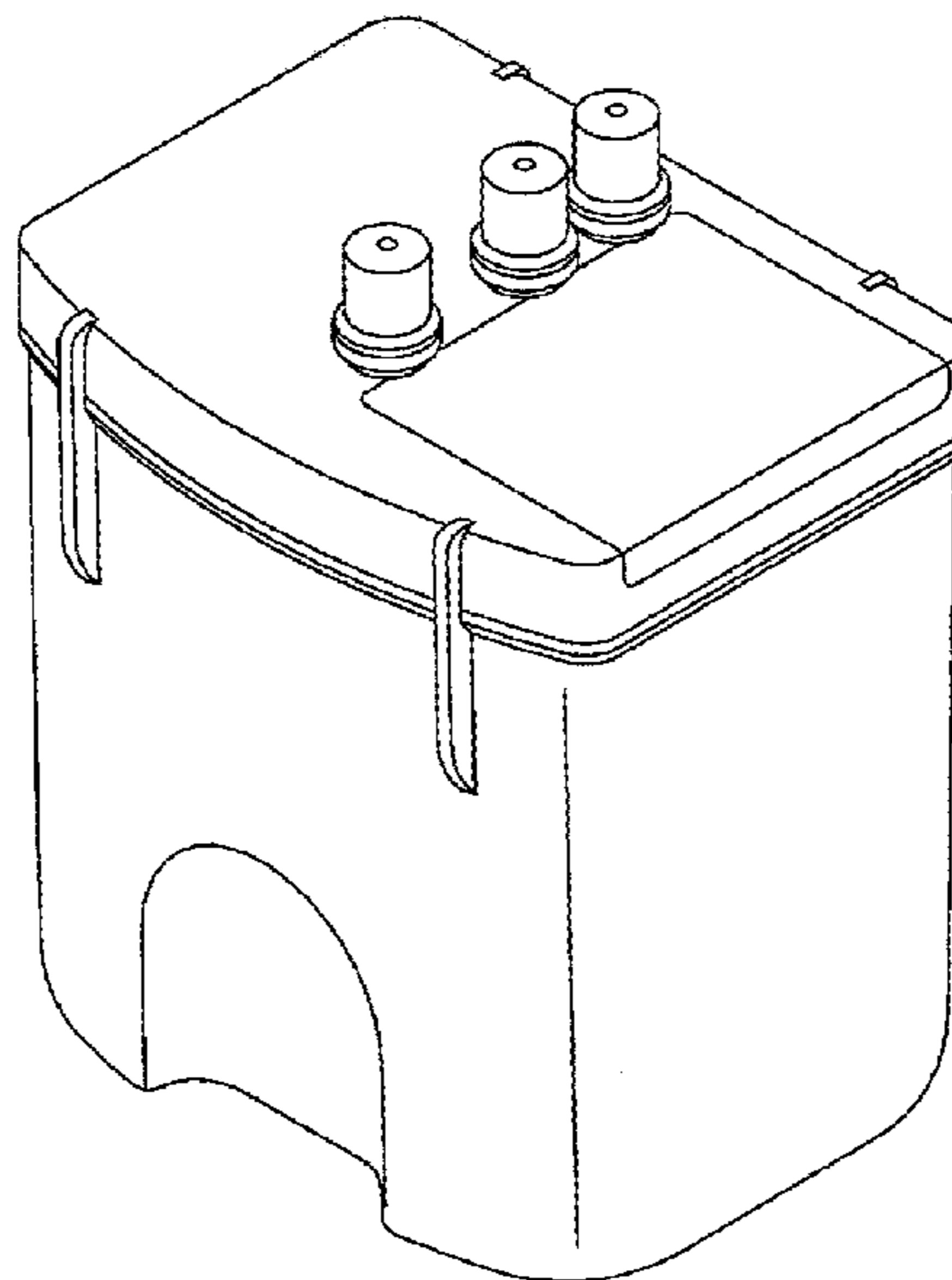


Fig. 1

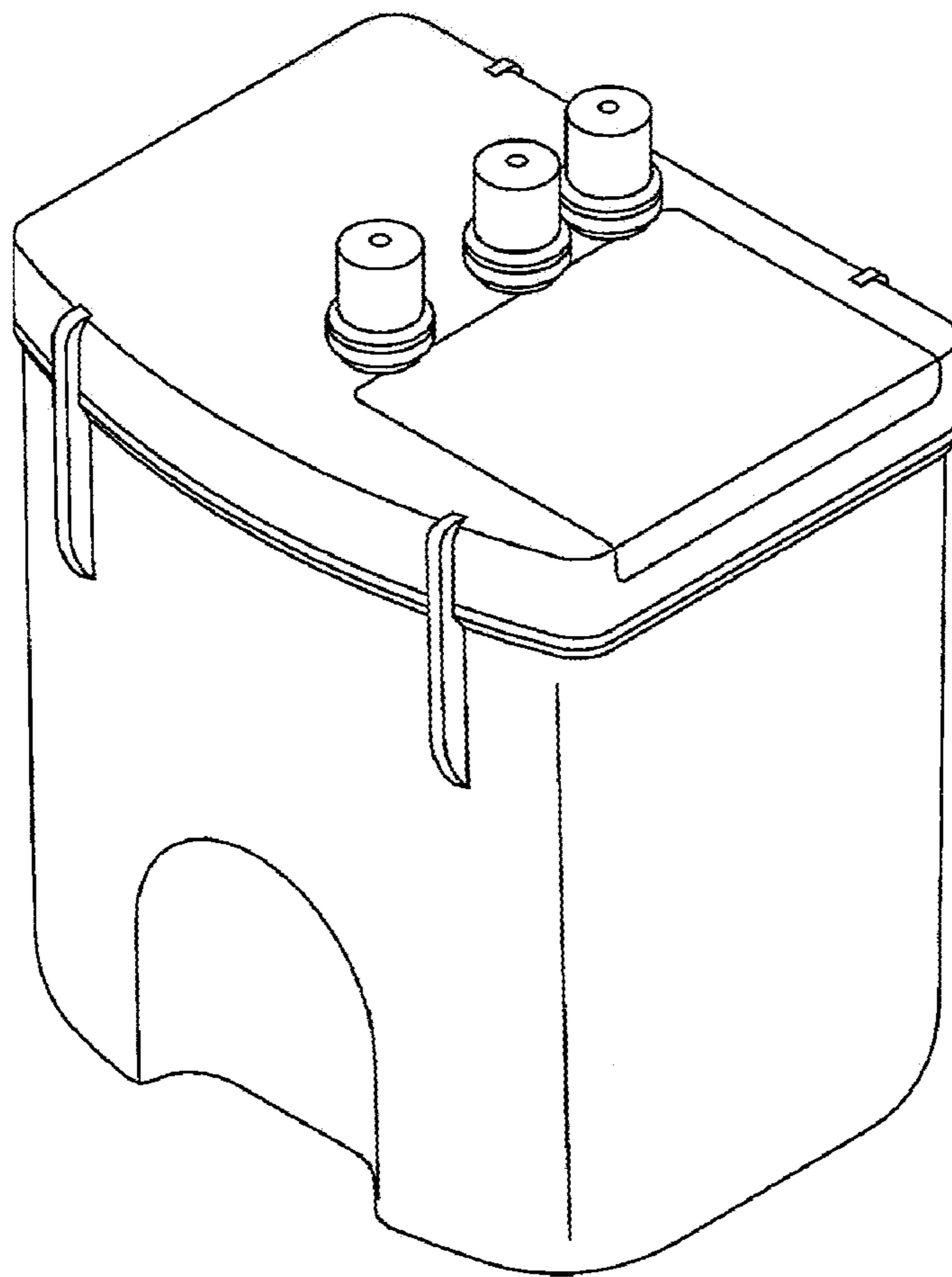


Fig. 2

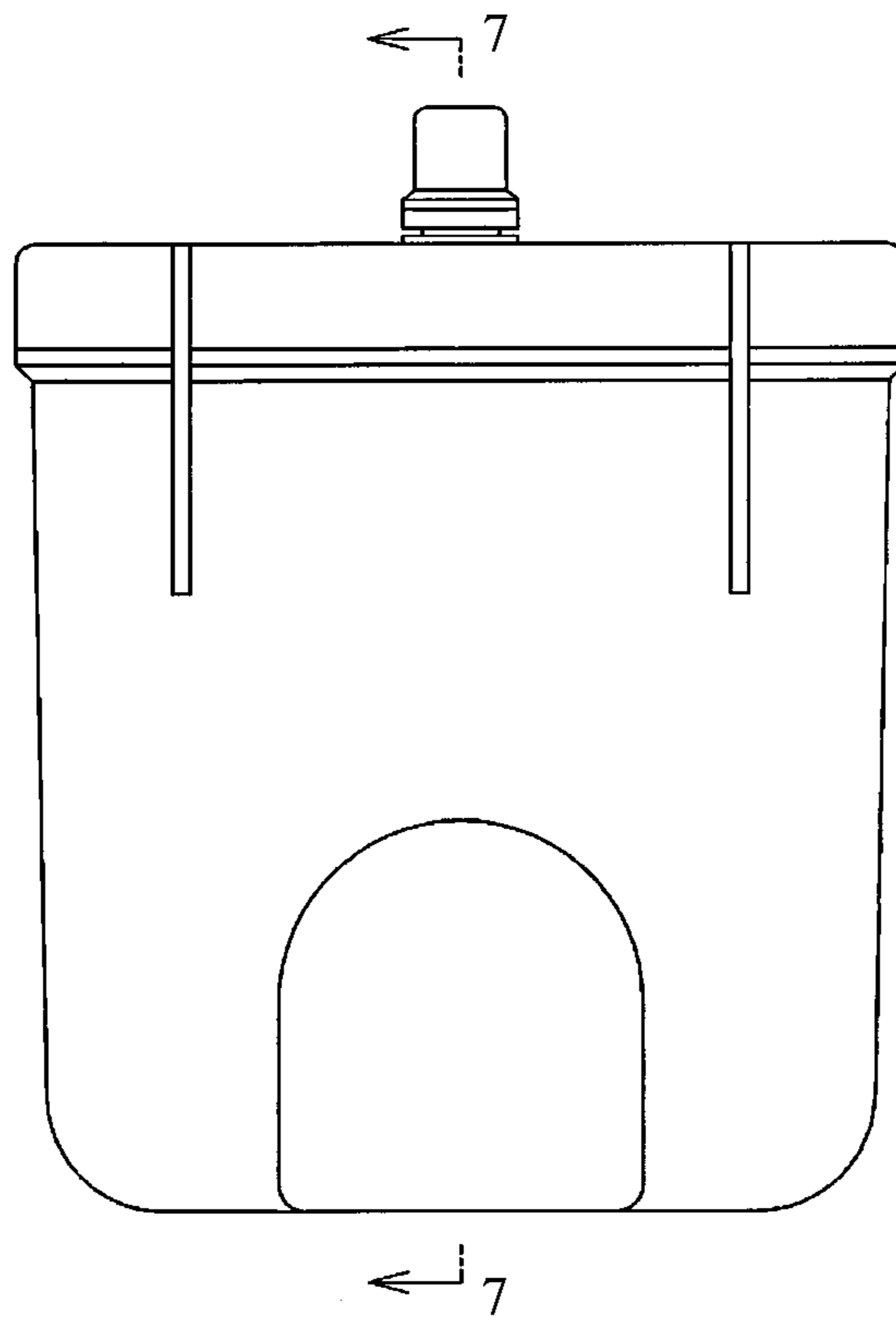


Fig. 3

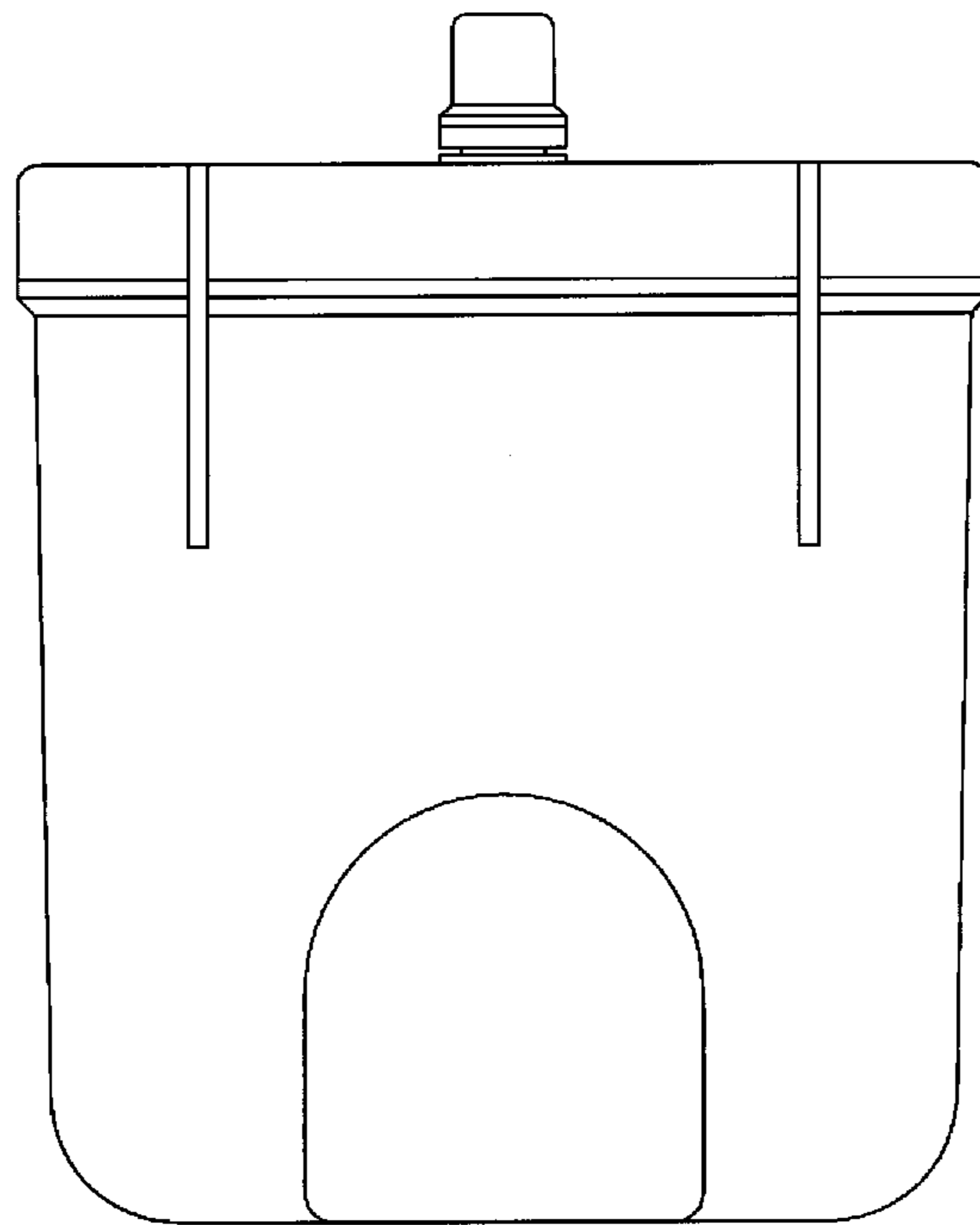


Fig. 4

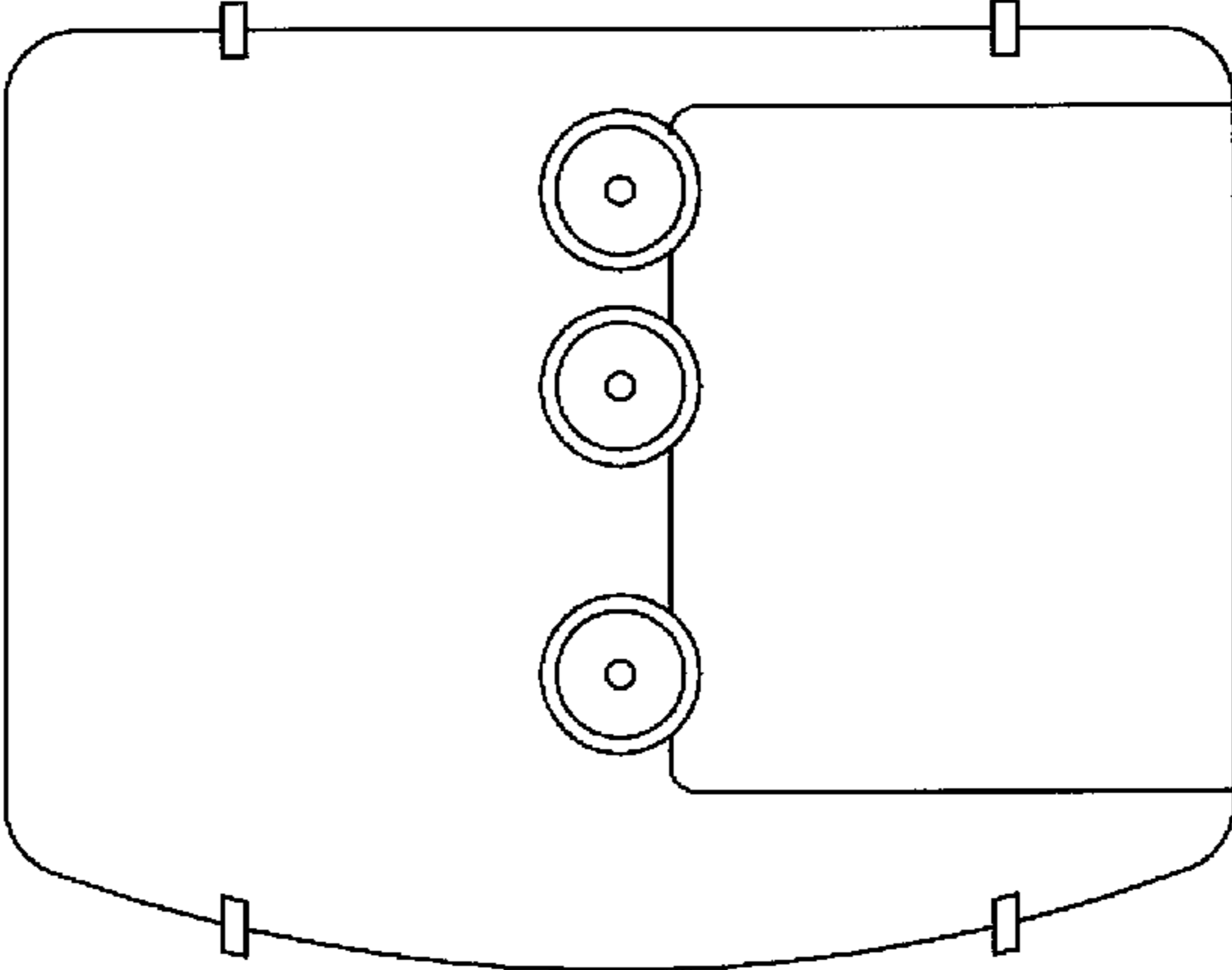


Fig. 5

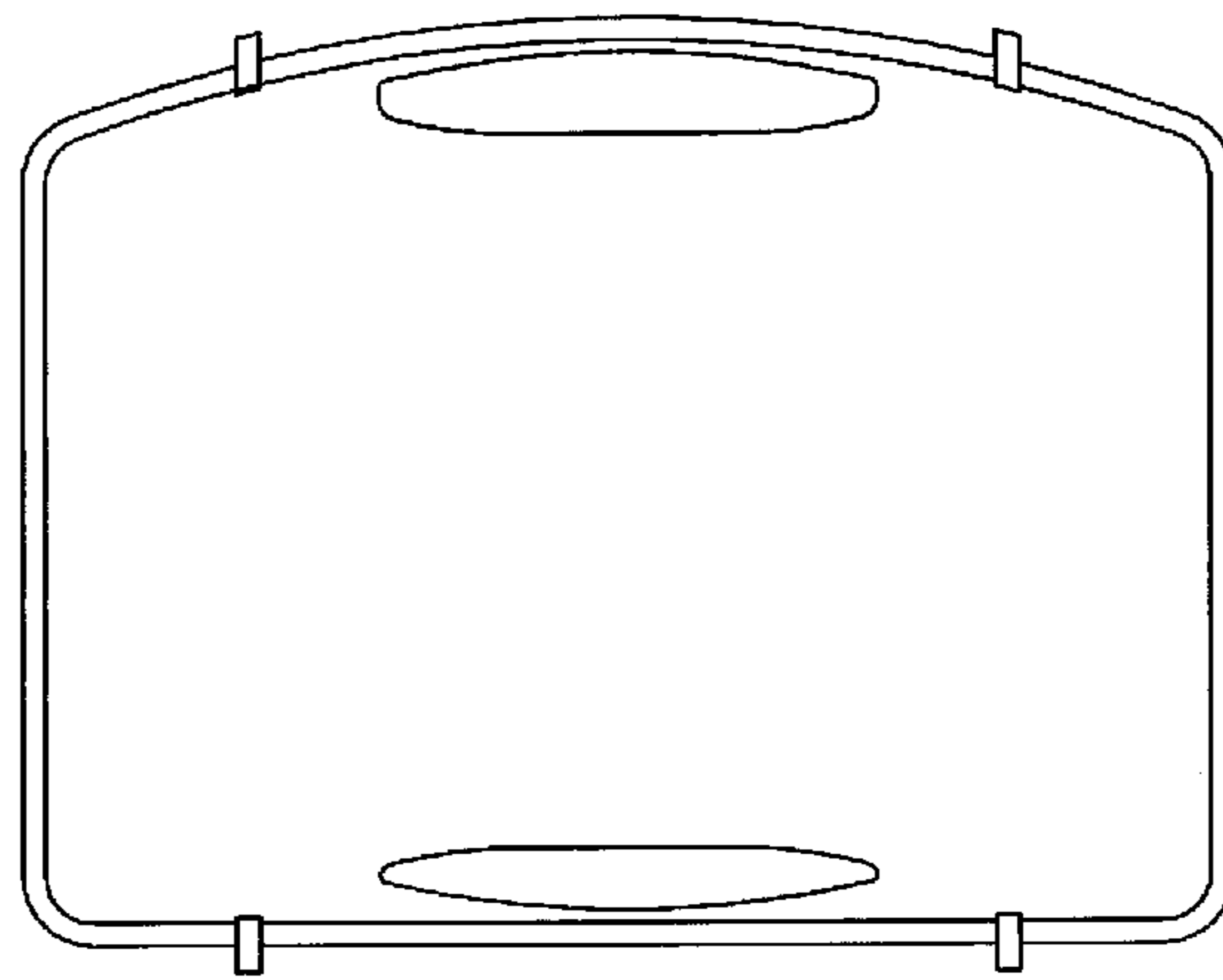


Fig. 6

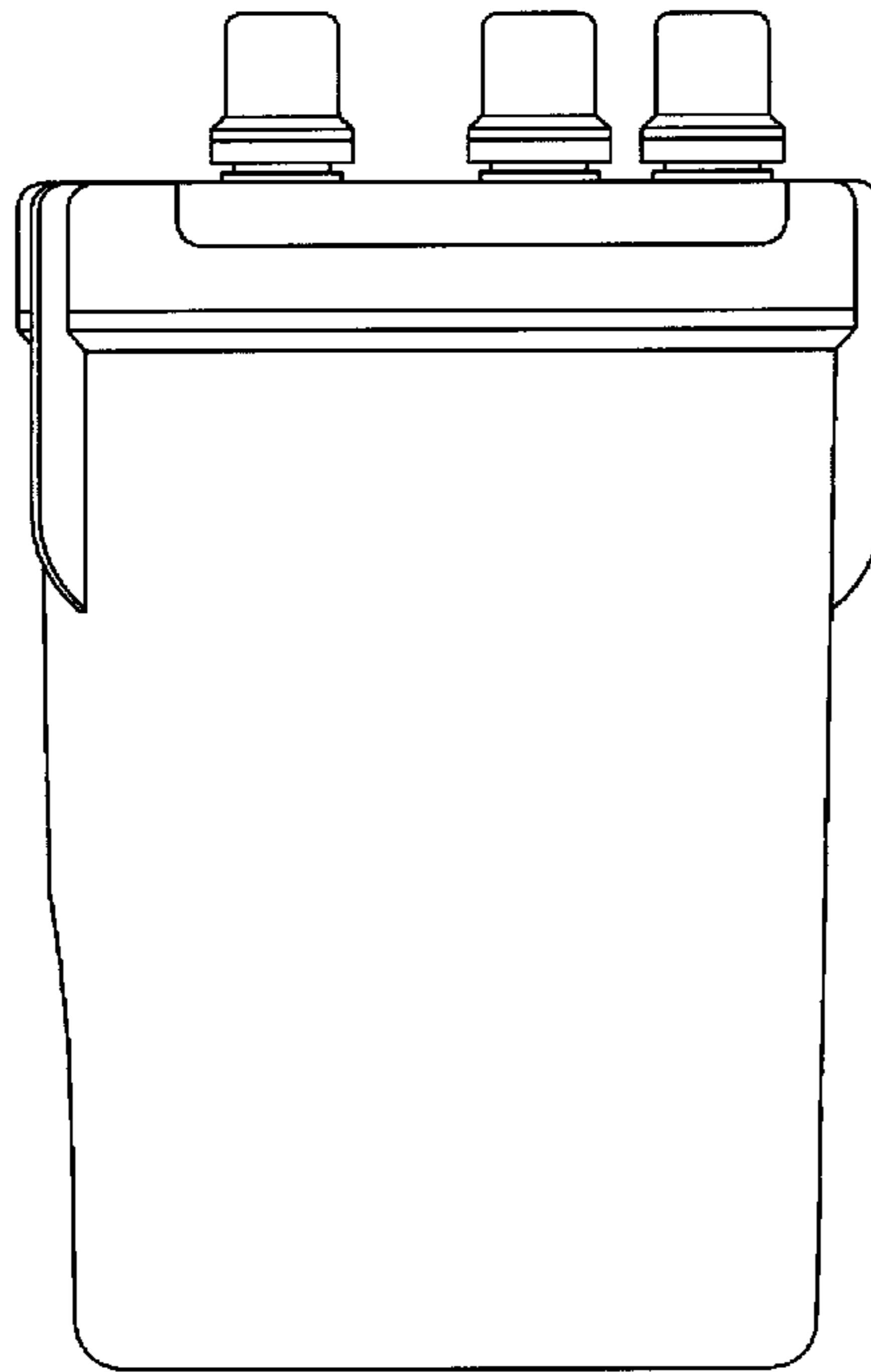


Fig. 7

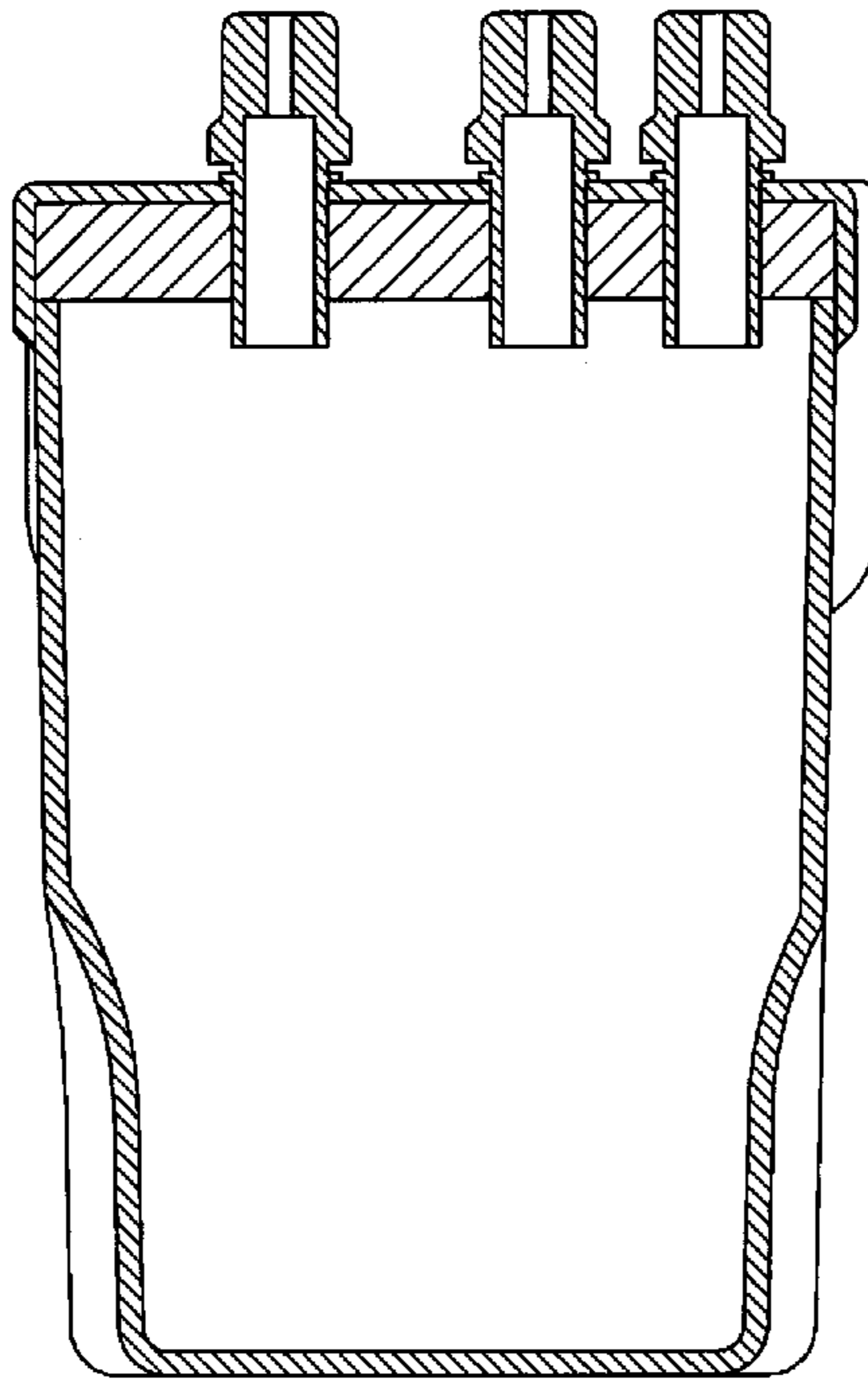


Fig. 8

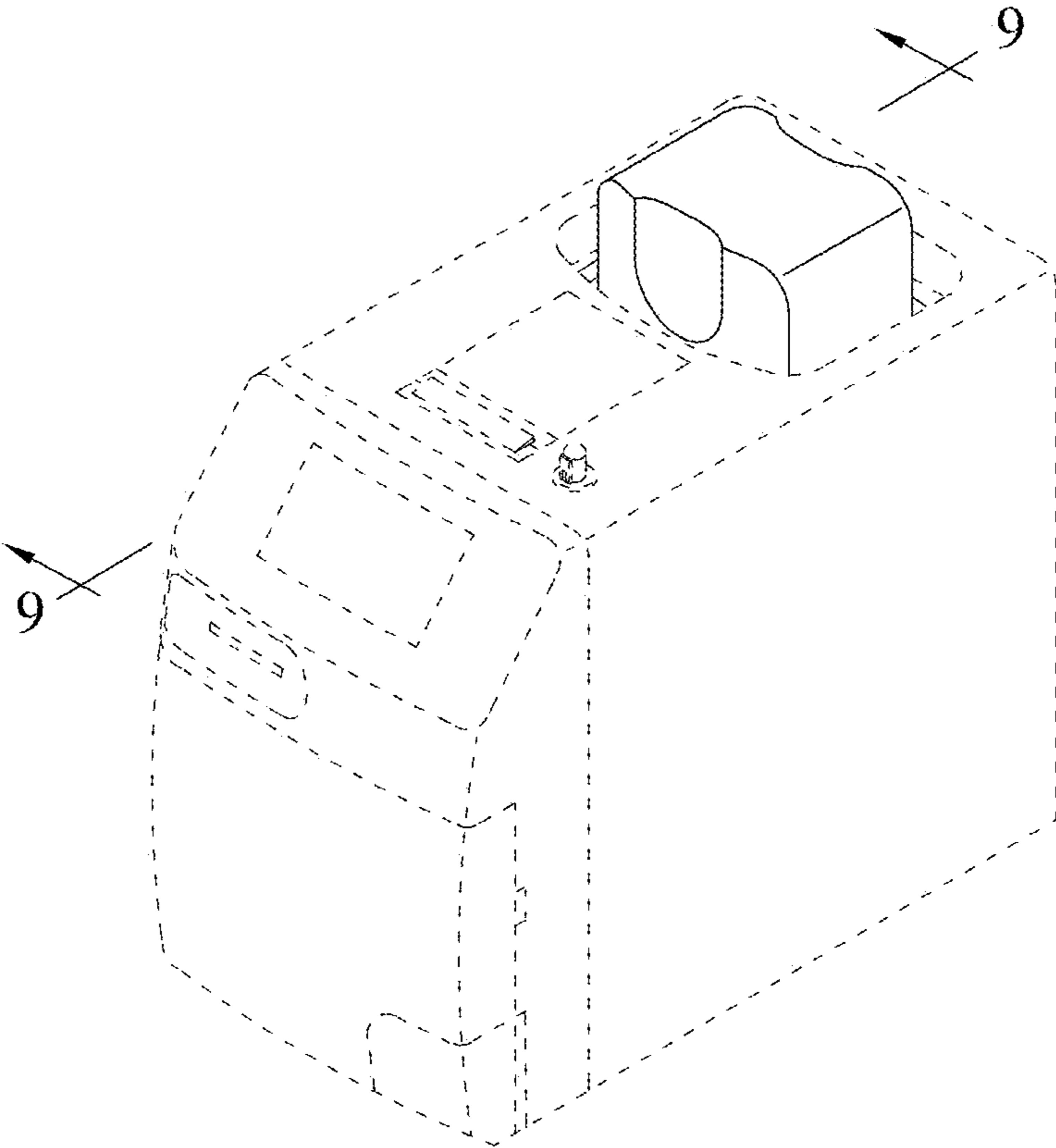


Fig. 9

