



US00D741993S

(12) **United States Design Patent**  
**Tominaga et al.**

(10) **Patent No.:** **US D741,993 S**  
(45) **Date of Patent:** **\*\* Oct. 27, 2015**

(54) **CONTAINER FOR DILUTING SAMPLES WITH COLLECTION TOOL**

(71) Applicants: **SEKISUI MEDICAL CO., LTD.**,  
Tokyo (JP); **SEKISUI TECHNO MOLDING CO., LTD.**, Tokyo (JP)  
(72) Inventors: **Satoru Tominaga**, Tokyo (JP); **Takashi Yosida**, Tokyo (JP); **Takuya Yotani**, Tokyo (JP); **Hiroaki Taira**, Tokyo (JP); **Yuriko Yamada**, Tokyo (JP)  
(73) Assignees: **SEKISUI MEDICAL CO., LTD.**, Tokyo (JP); **SEKISUI TECHNO MOLDING CO., LTD.**, Tokyo (JP)

(\*\*) Term: **14 Years**  
(21) Appl. No.: **29/480,088**  
(22) Filed: **Jan. 23, 2014**

(30) **Foreign Application Priority Data**  
Jul. 26, 2013 (JP) ..... 2013-017067  
(51) **LOC (10) Cl.** ..... **24-01**  
(52) **U.S. Cl.**  
USPC ..... **D24/108**  
(58) **Field of Classification Search**  
USPC ..... D24/108, 121-123, 216, 222-226, 231, D24/232, 169; D9/500, 503, 504, 520, 549, D9/569; D10/80, 81; 422/99, 100, 102, 56, 422/58, 61, 68.1, 69; 435/288.1, 288.3, 435/289.1; 600/573, 574, 576, 577; 604/317-319, 326, 331, 349  
See application file for complete search history.

(56) **References Cited**  
U.S. PATENT DOCUMENTS

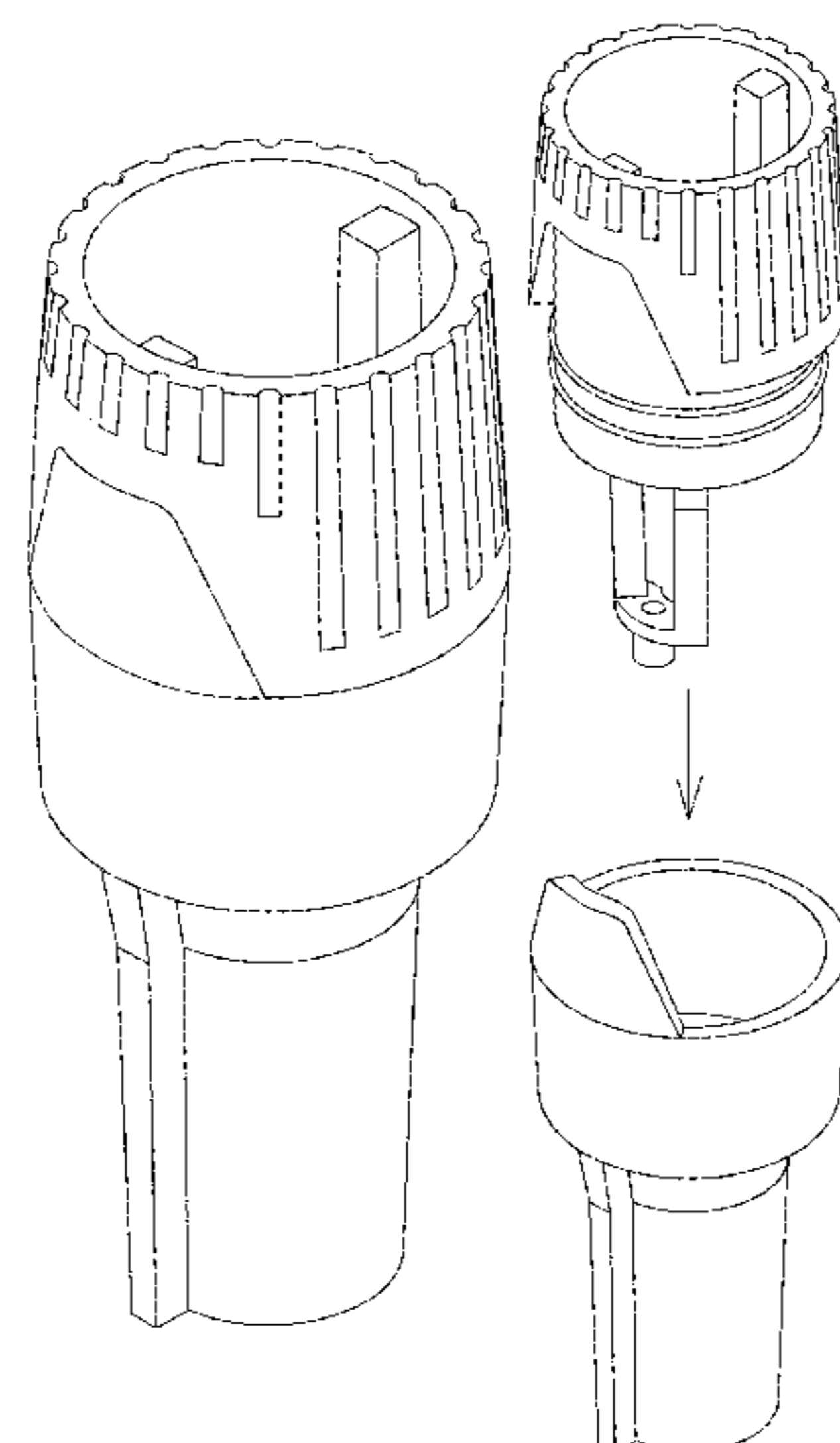
4,411,163	A *	10/1983	White	73/864.02
5,360,423	A *	11/1994	McCormick	604/403
D435,906	S *	1/2001	Wilkinson et al.	D24/121
D472,316	S *	3/2003	Douglas et al.	D24/129
D558,357	S *	12/2007	Byrd et al.	D24/224
D621,522	S *	8/2010	Wilkinson	D24/224
D643,934	S *	8/2011	Wilkinson	D24/224
D652,148	S *	1/2012	Matsuura	D24/224
8,470,268	B2 *	6/2013	Wong	422/558
D688,796	S *	8/2013	Niunoya et al.	D24/127
2002/0009389	A1 *	1/2002	Lappe et al.	422/58
2003/0133844	A1 *	7/2003	Conway	422/102
2007/0128070	A1 *	6/2007	Wu et al.	422/58
2013/0175266	A1 *	7/2013	Ellis	220/23.87
2014/0213934	A1 *	7/2014	Ellis et al.	600/575

\* cited by examiner  
*Primary Examiner* — Wan Laymon  
*Assistant Examiner* — Mark Booker  
(74) *Attorney, Agent, or Firm* — Bacon & Thomas, PLLC

(57) **CLAIM**  
The ornamental design for container for diluting samples with collection tool, as shown and described.

**DESCRIPTION**  
FIG. 1 is a perspective view of a container for diluting samples with collection tool.  
FIG. 2 is a front view thereof.  
FIG. 3 is a rear view thereof.  
FIG. 4 is a top plan view thereof.  
FIG. 5 is a bottom plan view thereof.  
FIG. 6 is a left side view thereof, the right side view appears symmetrical with the left side view.  
FIG. 7 is a vertical sectional view along line 7-7 of FIG. 2.  
FIG. 8 is a horizontal sectional view along line 8-8 of FIG. 2.  
FIG. 9 is a horizontal sectional view along line 9-9 of FIG. 2.  
FIG. 10 is a horizontal sectional view along line 10-10 of FIG. 2; and,  
FIG. 11 is an exploded perspective view, illustrating the design has two separate parts.

**1 Claim, 11 Drawing Sheets**



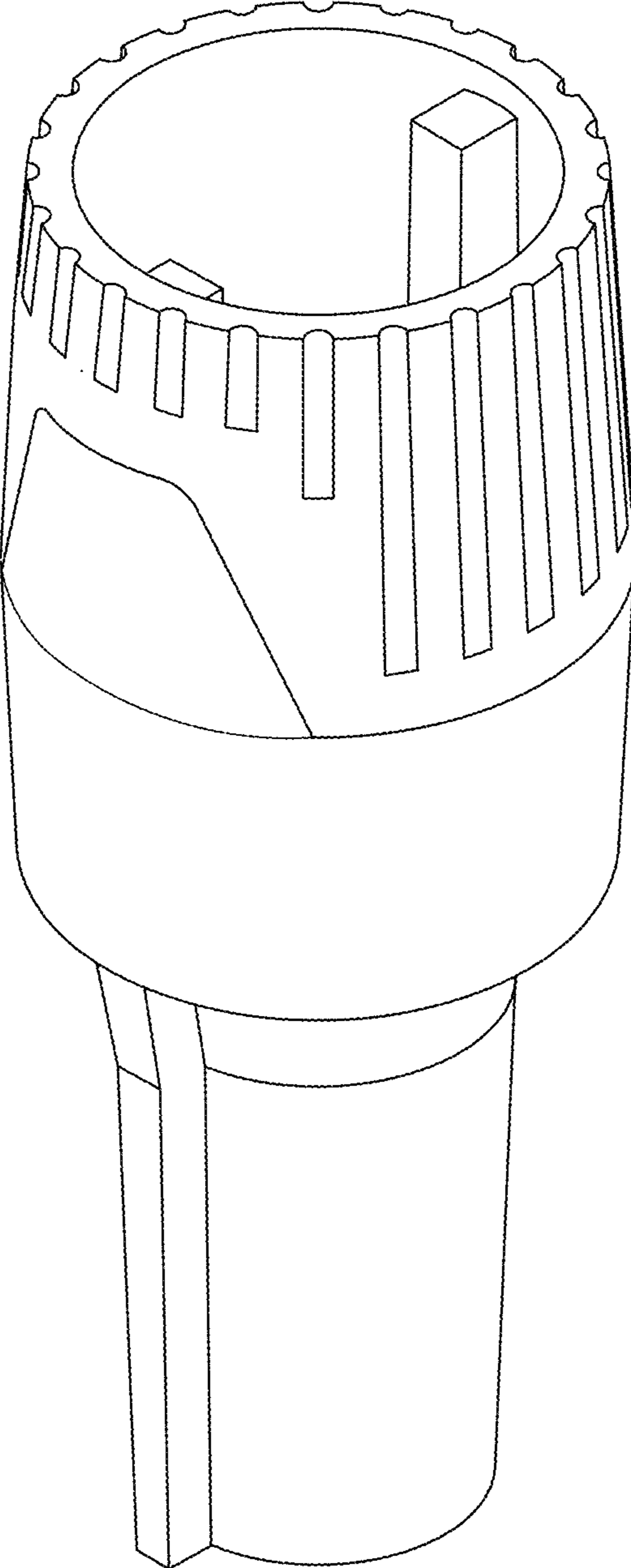


FIG. 1

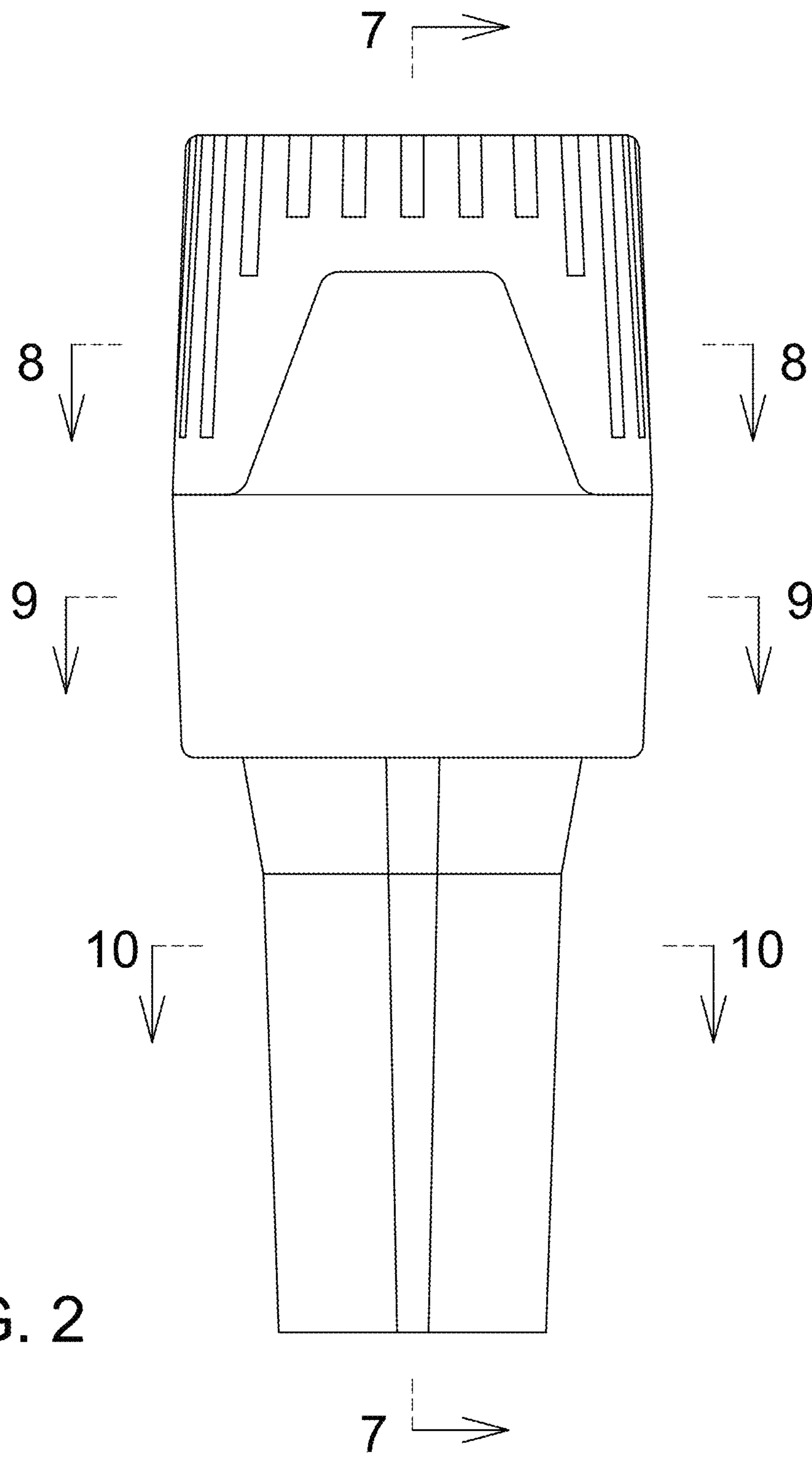


FIG. 2

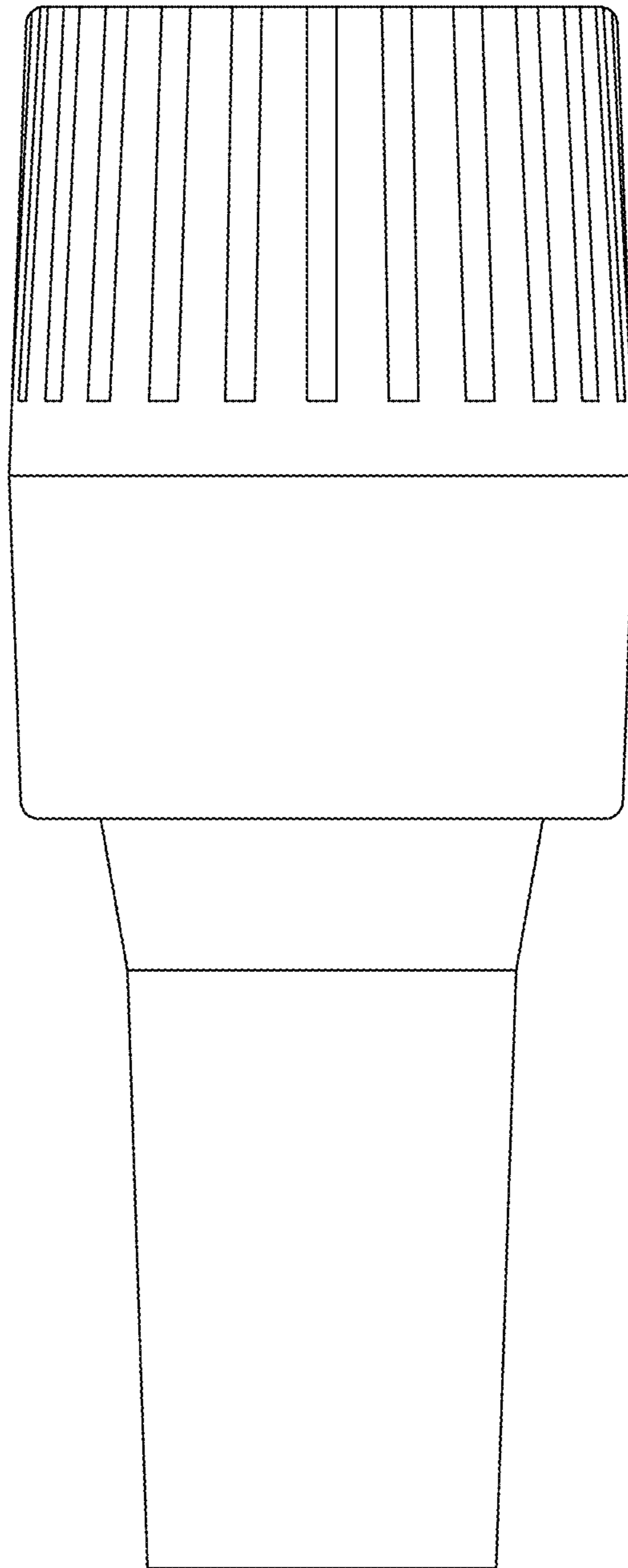


FIG. 3

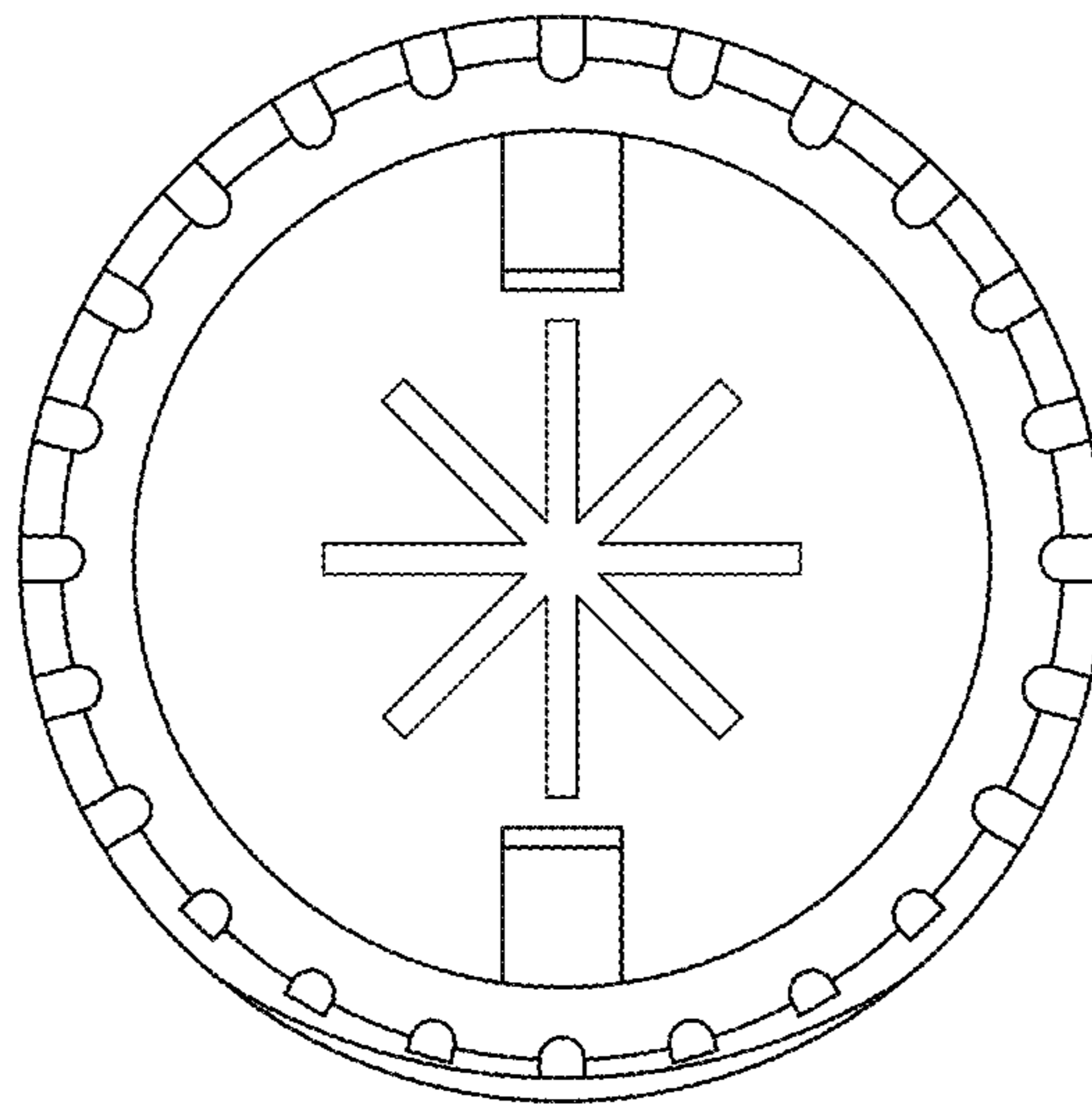


FIG. 4

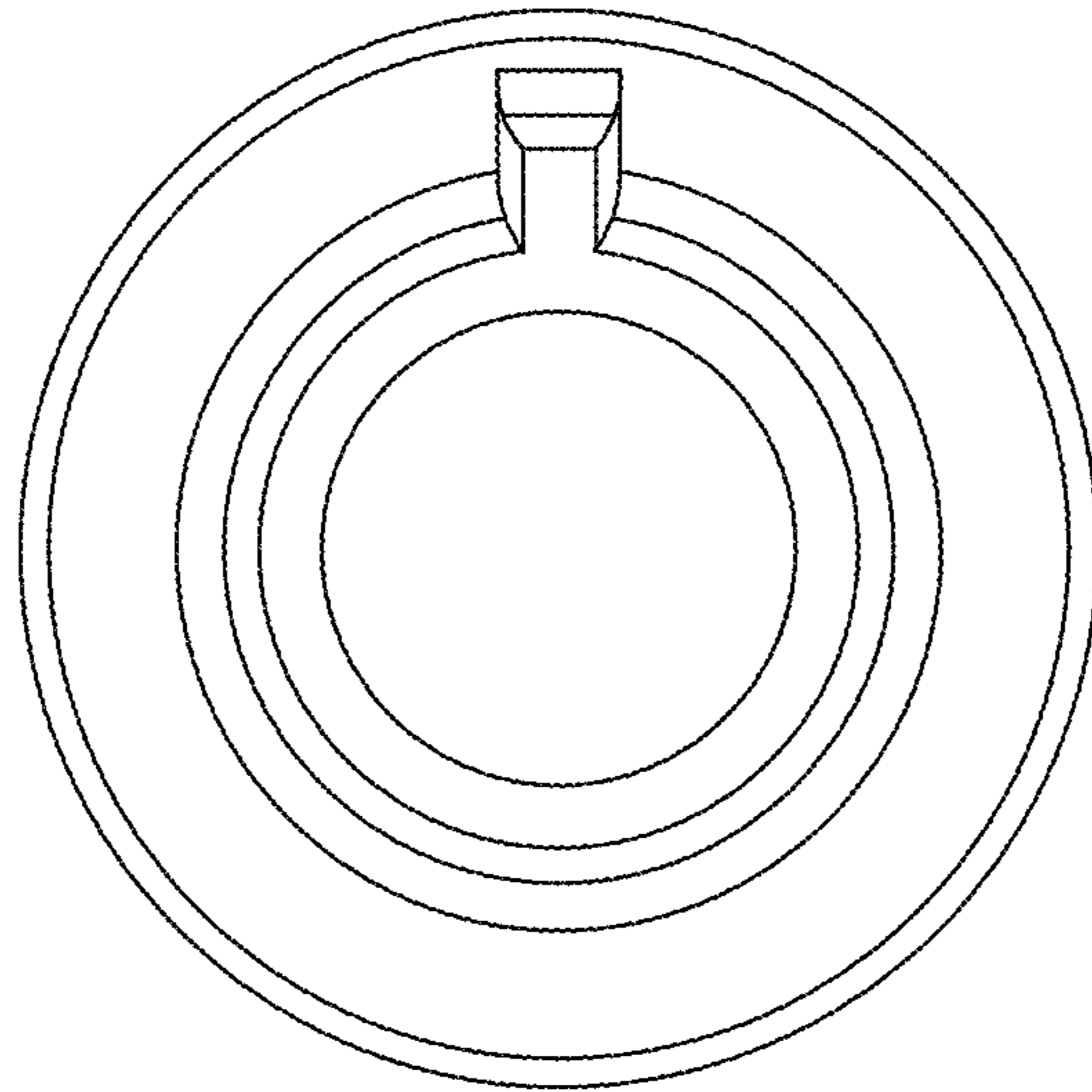


FIG. 5

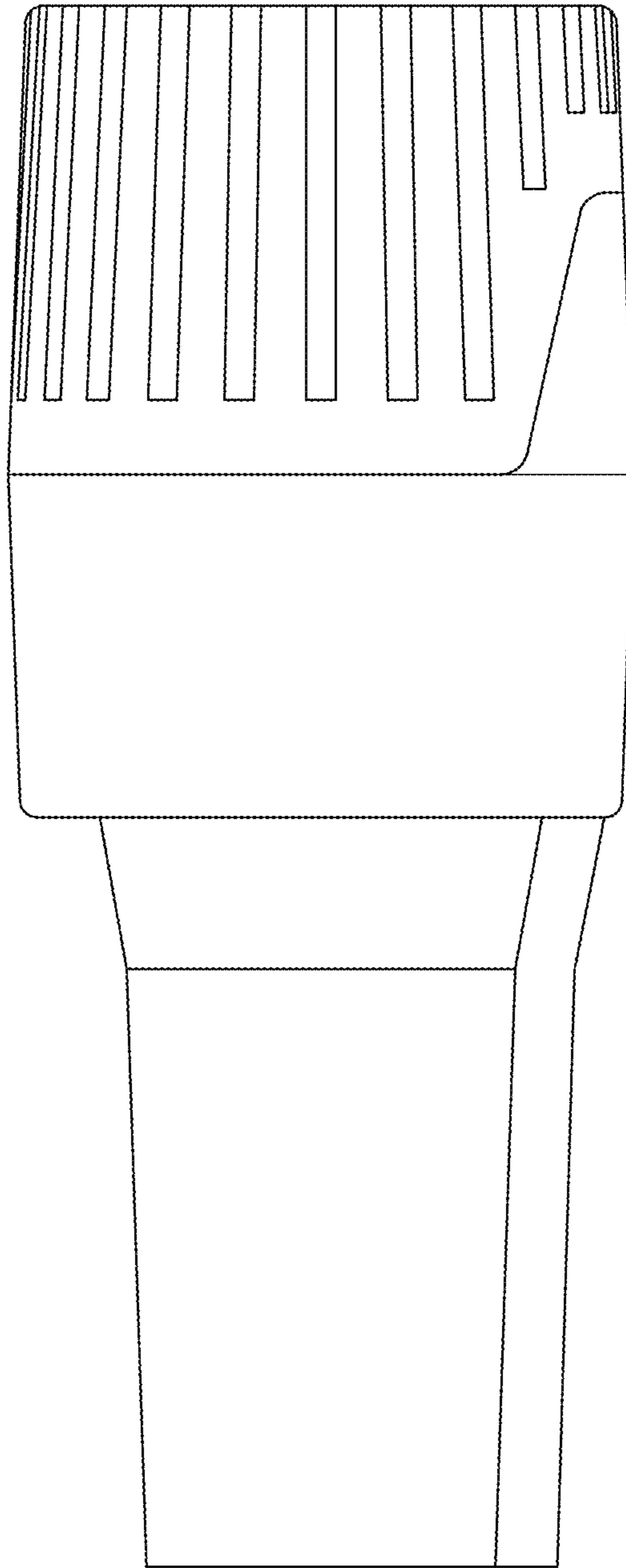


FIG. 6

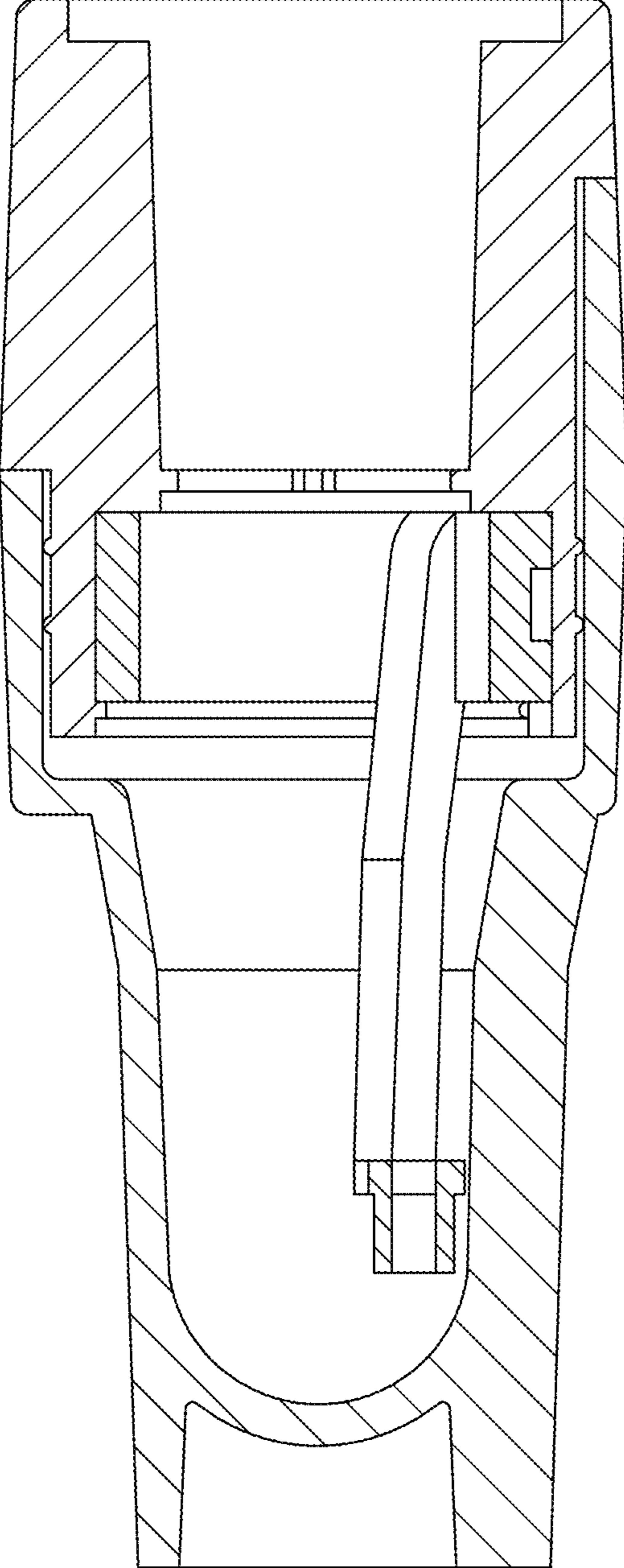


FIG. 7



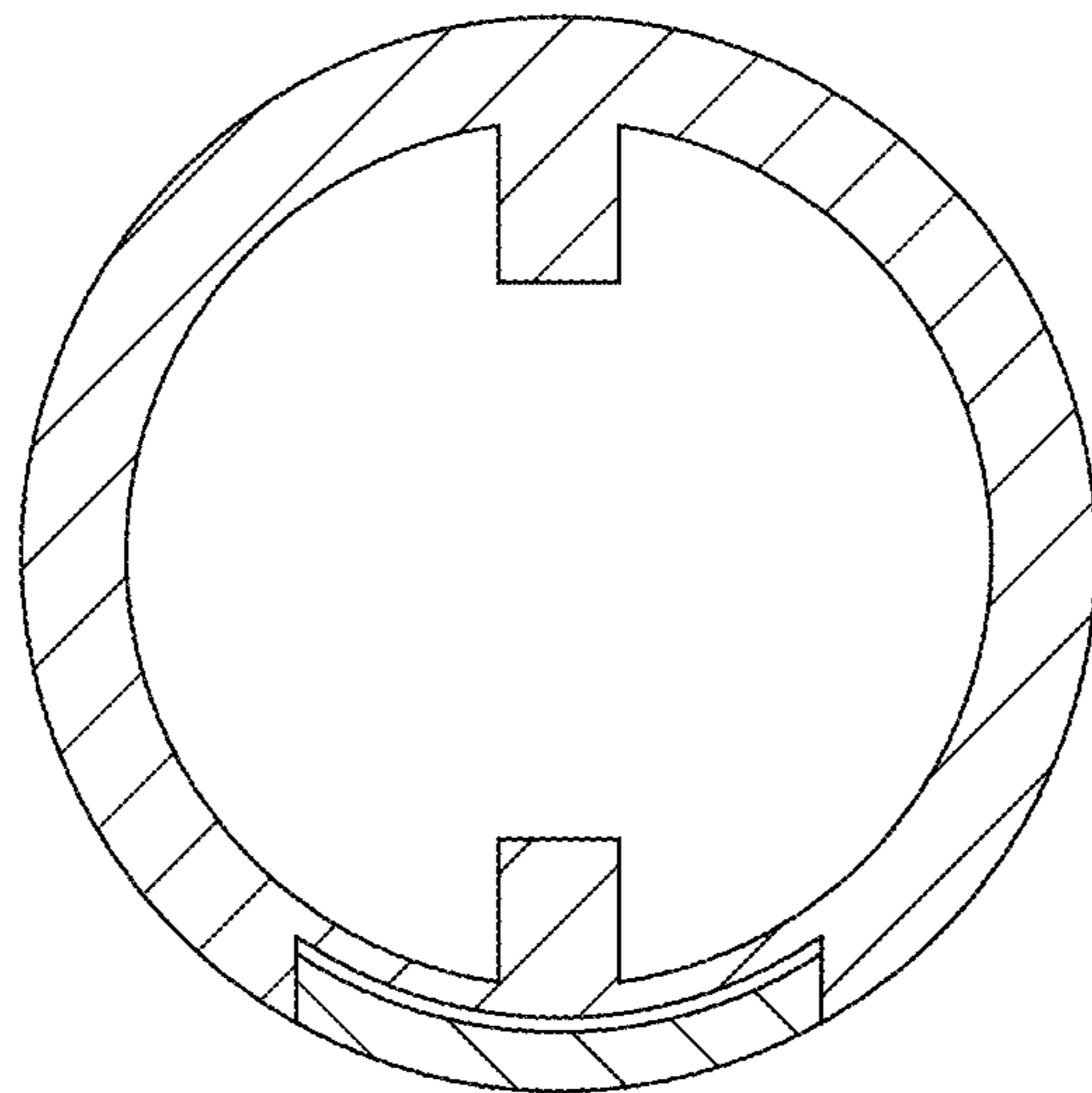


FIG. 8

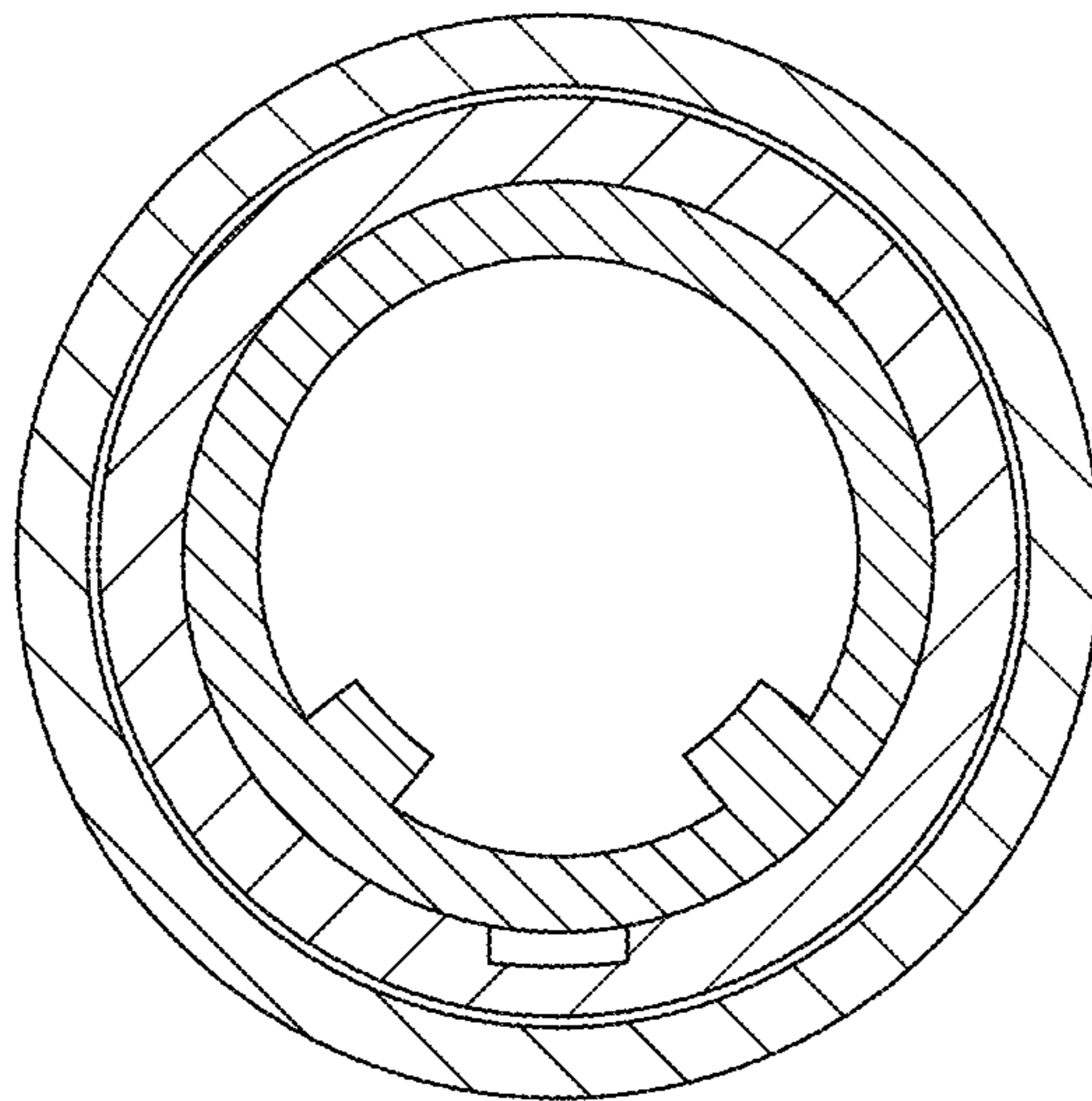


FIG. 9

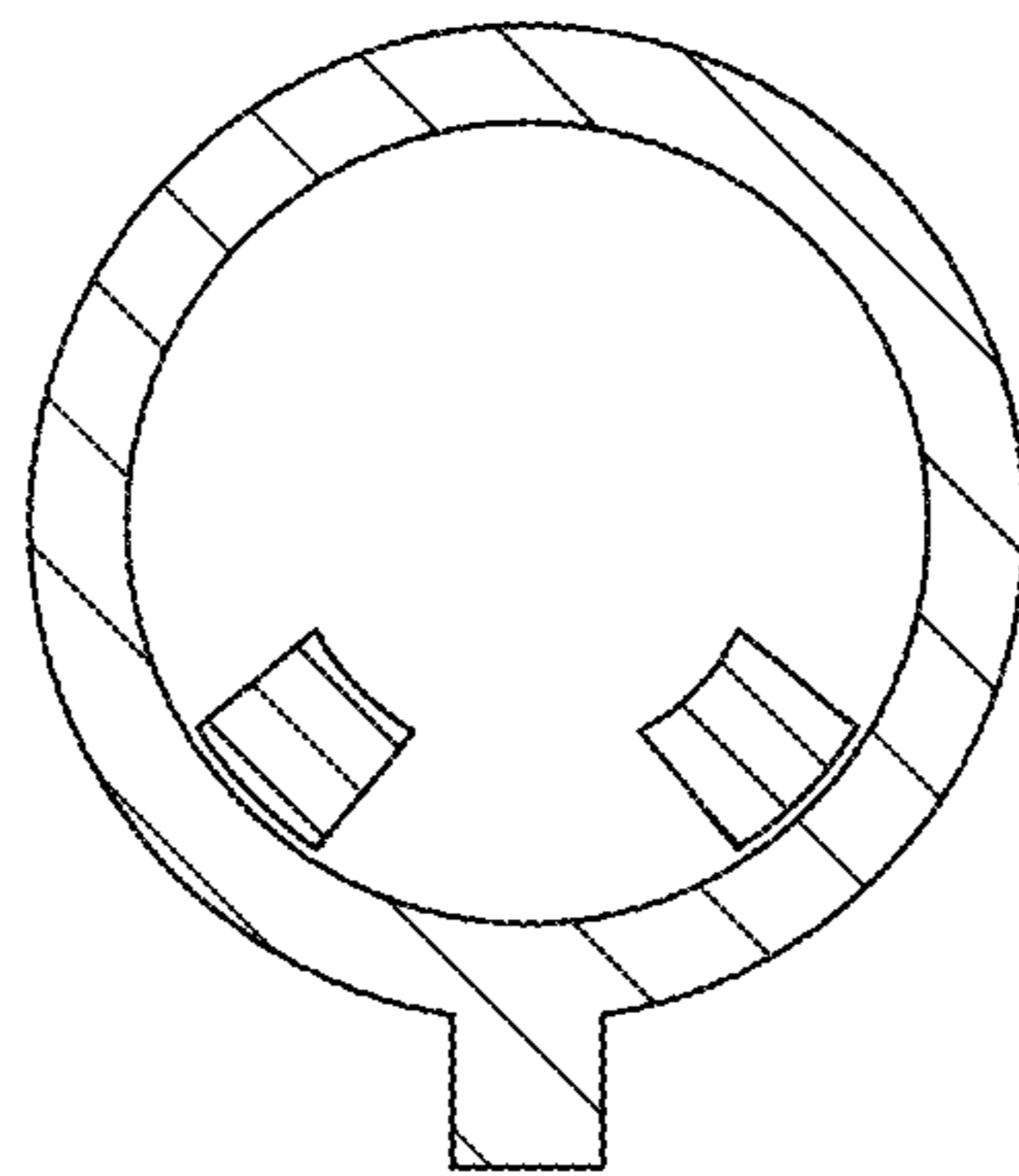


FIG. 10

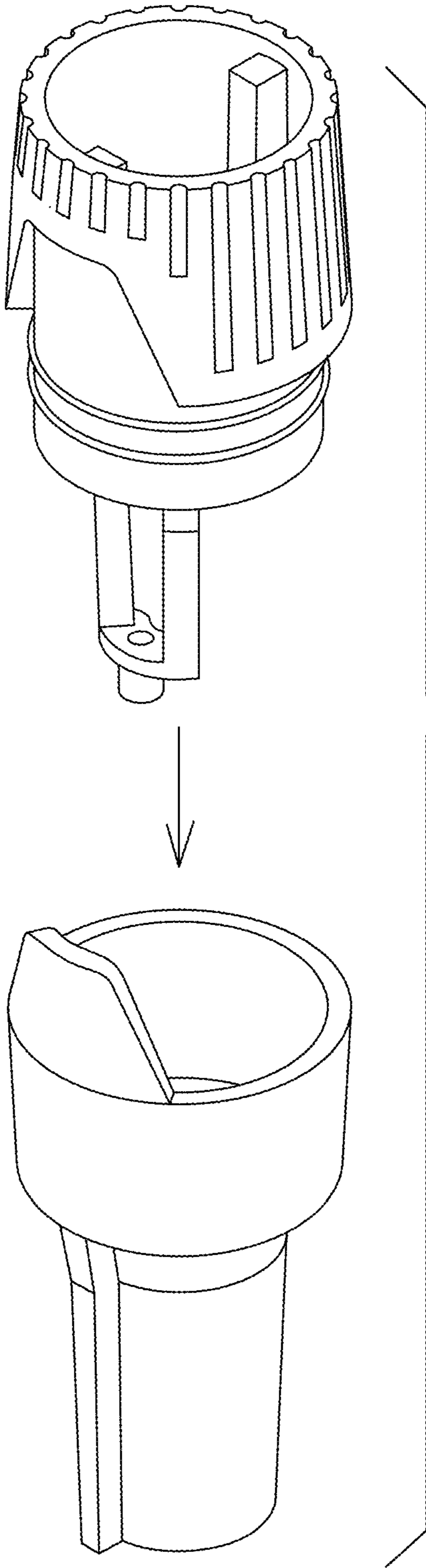


FIG. 11