



US00D741992S

(12) **United States Design Patent**
Roeper

(10) **Patent No.:** **US D741,992 S**

(45) **Date of Patent:** **** Oct. 27, 2015**

(54) **DEVICE FOR INSERTION OF OBJECTS, IN PARTICULAR IMPLANTS, INTO THE BODY OF HUMANS AND/OR ANIMALS**

(71) Applicant: **PFM MEDICAL AG**, Cologne (DE)

(72) Inventor: **Sascha Roeper**, Nonnweiler (DE)

(73) Assignee: **PFM MEDICAL AG**, Cologne (DE)

(**) Term: **14 Years**

(21) Appl. No.: **29/467,946**

(22) Filed: **Sep. 25, 2013**

(30) **Foreign Application Priority Data**

Mar. 25, 2013 (DE) 20 2013 101 276

(51) **LOC (10) Cl.** **24-01**

(52) **U.S. Cl.**
USPC **D24/108**

(58) **Field of Classification Search**

USPC D24/108, 115, 133, 141; 604/164.03,
604/175, 506, 57, 891.1, 9, 93.01

CPC A61B 17/3468; A61B 17/7258; A61F
2/0063; A61F 2/02; A61F 2/12; A61F 2/14;
A61F 2/2427; A61F 2/966; A61F 2250/0003;
A61F 6/18

See application file for complete search history.

(56) **References Cited**

U.S. PATENT DOCUMENTS

5,449,382 A * 9/1995 Dayton 623/1.15
D410,682 S * 6/1999 Izushima D19/174
D571,009 S * 6/2008 Smith et al. D24/146
D585,491 S * 1/2009 Booker D19/174
D645,958 S * 9/2011 Assmann et al. D24/113
D674,440 S * 1/2013 Papenfuß D19/163
8,500,792 B2 * 8/2013 Berra 623/1.12
2003/0135153 A1 * 7/2003 Hagemeyer 604/59
2006/0084943 A1 * 4/2006 Rosenman et al. 604/890.1

2007/0156224 A1 * 7/2007 Cioanta et al. 623/1.11
2008/0108990 A1 * 5/2008 Mitchell et al. 606/61
2010/0174225 A1 * 7/2010 Pesach et al. 604/21
2011/0017219 A1 * 1/2011 de Graaff et al. 128/833
2011/0264202 A1 * 10/2011 Murray et al. 623/2.11
2011/0288558 A1 * 11/2011 Nimgaard 606/108
2012/0232658 A1 * 9/2012 Morgenstern Lopez
et al. 623/17.16

(Continued)

FOREIGN PATENT DOCUMENTS

GB 3006890 * 9/2005

Primary Examiner — Thomas Johannes

Assistant Examiner — Lauren McVey

(74) *Attorney, Agent, or Firm* — Grossman, Tucker,
Perreault & Pflieger, PLLC

(57) **CLAIM**

I claim the ornamental design for a device for insertion of objects, in particular implants, into the body of humans and/or animals, as shown and described.

DESCRIPTION

FIG. 1 is a top view of a device for insertion of objects, in particular implants, into the body of humans and/or animals of the present invention;

FIG. 2 is a bottom view thereof;

FIG. 3 is a front end view thereof;

FIG. 4 is a back end view thereof;

FIG. 5 is a cross-sectional view of section 5-5 thereof;

FIG. 6 is a cross-sectional view of section 6-6 thereof;

FIG. 7 is a left side view thereof;

FIG. 8 is a right side view thereof;

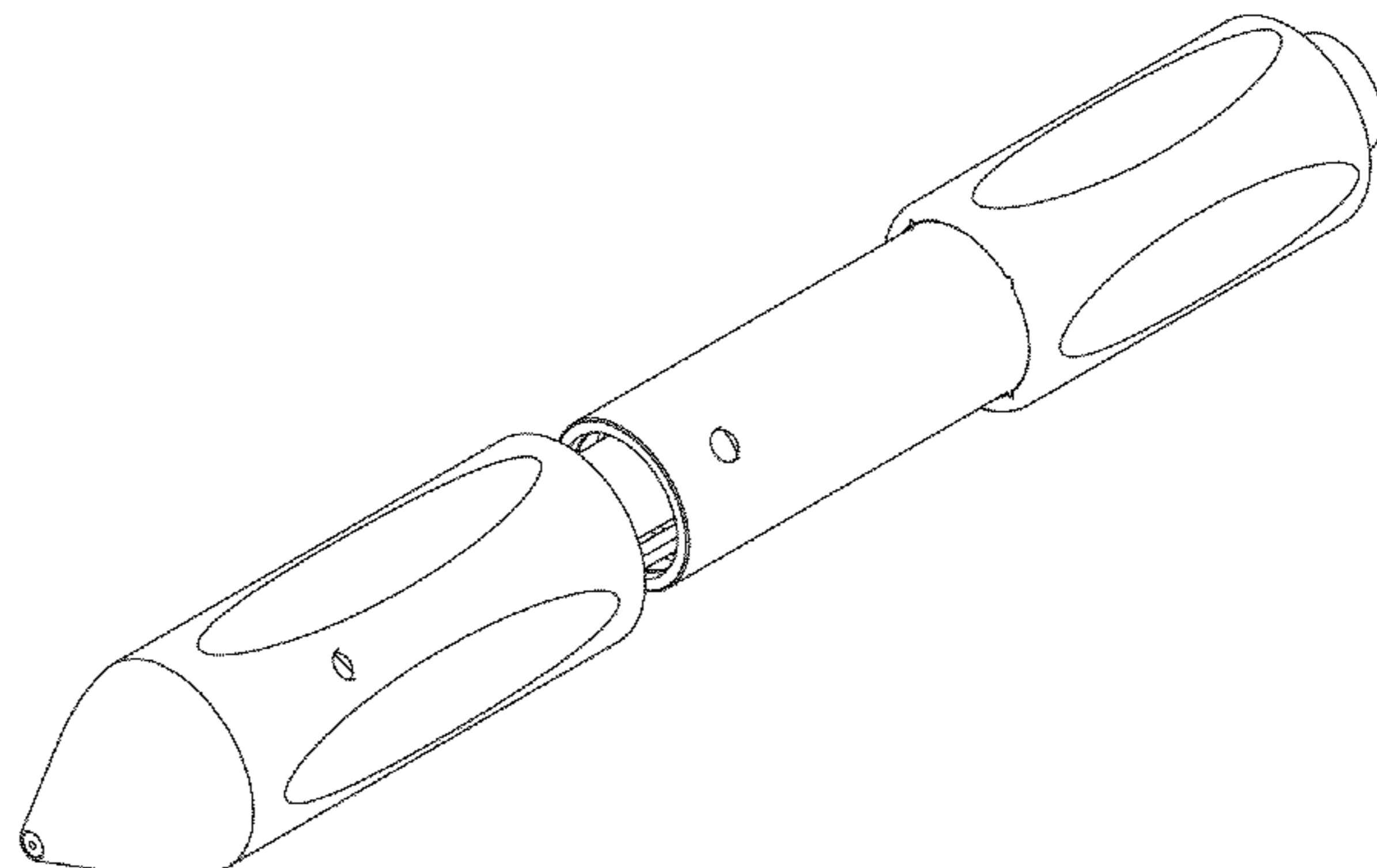
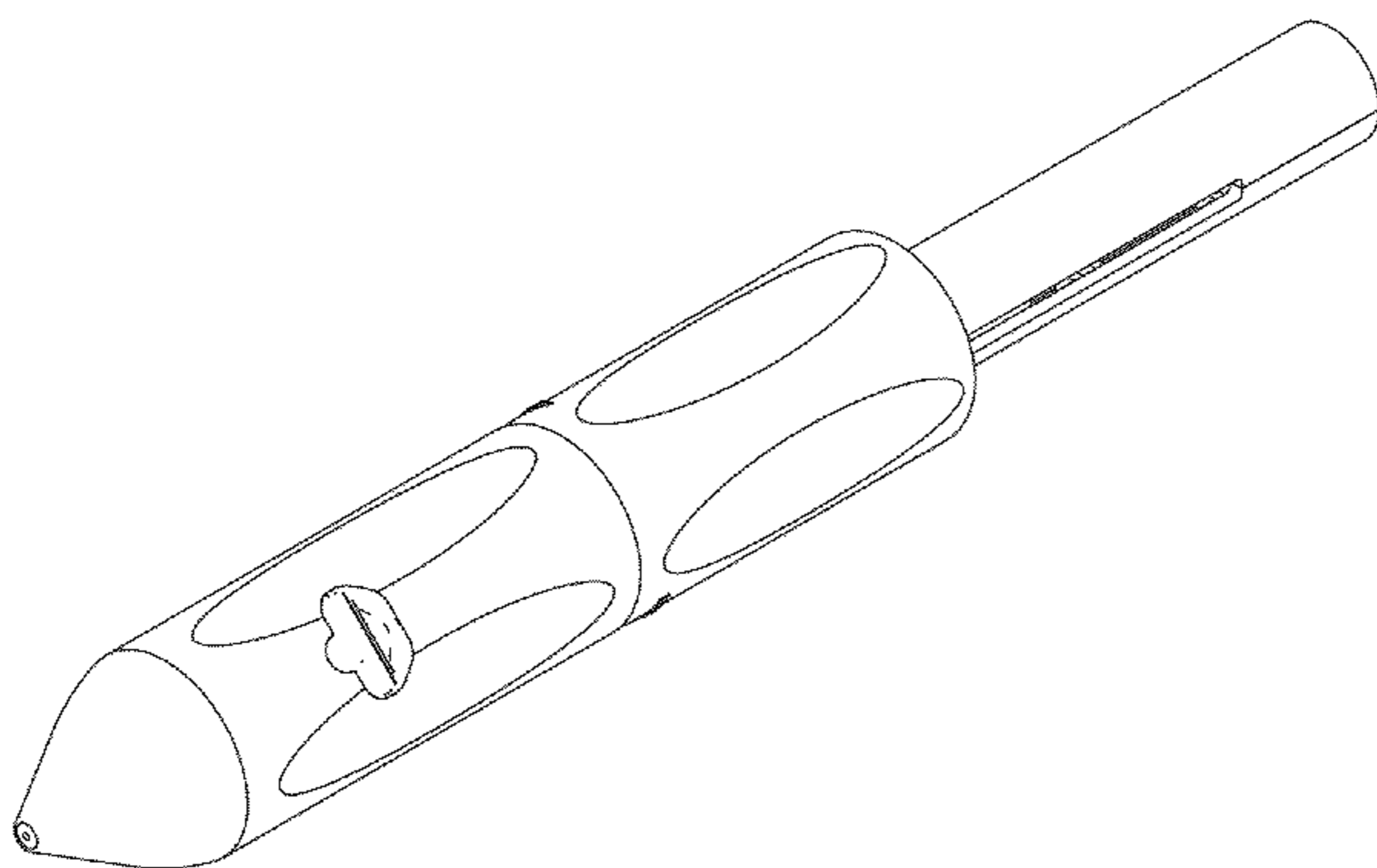
FIG. 9 is a perspective view thereof;

FIG. 10 is another perspective view thereof;

FIG. 11 is a perspective view thereof in an alternate state; and,

FIG. 12 is a perspective view thereof in another alternate state.

1 Claim, 8 Drawing Sheets



(56)

References Cited

U.S. PATENT DOCUMENTS

2013/0102851	A1*	4/2013	Mark et al.	600/233	2013/0274870	A1*	10/2013	Lombardi et al.	623/2.11
2013/0158348	A1*	6/2013	Nobis et al.	600/109	2013/0289692	A1*	10/2013	Argentine et al.	623/1.11
2013/0158561	A1*	6/2013	Bhagat et al.	606/107	2014/0187922	A1*	7/2014	Mark et al.	600/424
2013/0253570	A1*	9/2013	Bates	606/200	2014/0276968	A1*	9/2014	Mikszta et al.	606/139
					2014/0277195	A1*	9/2014	McBride	606/86 A
					2014/0277340	A1*	9/2014	White et al.	623/1.11

* cited by examiner

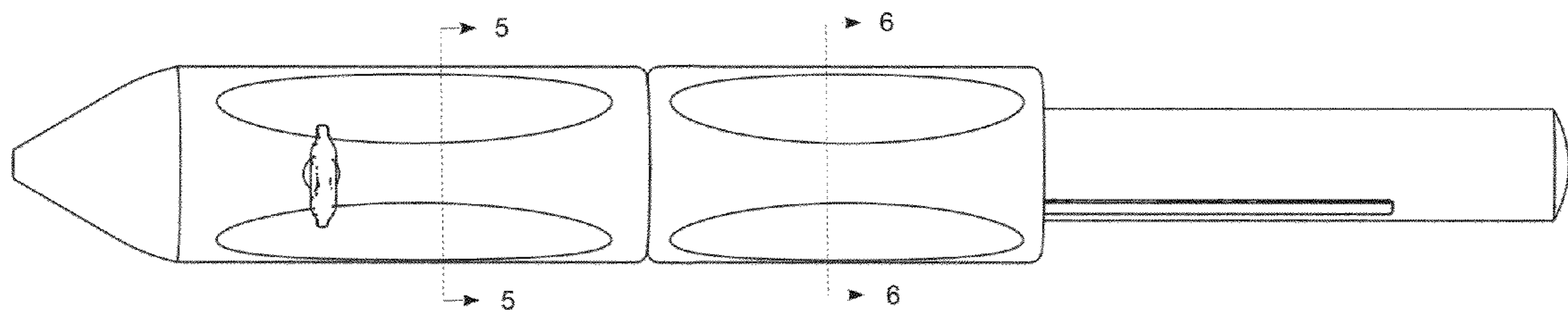


Fig. 1

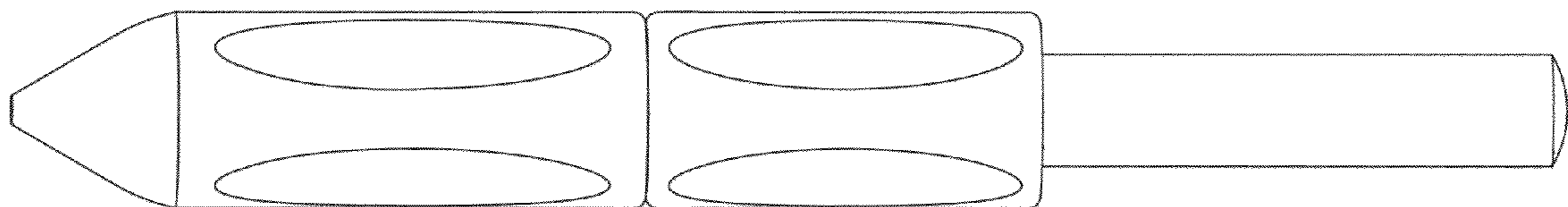


Fig. 2

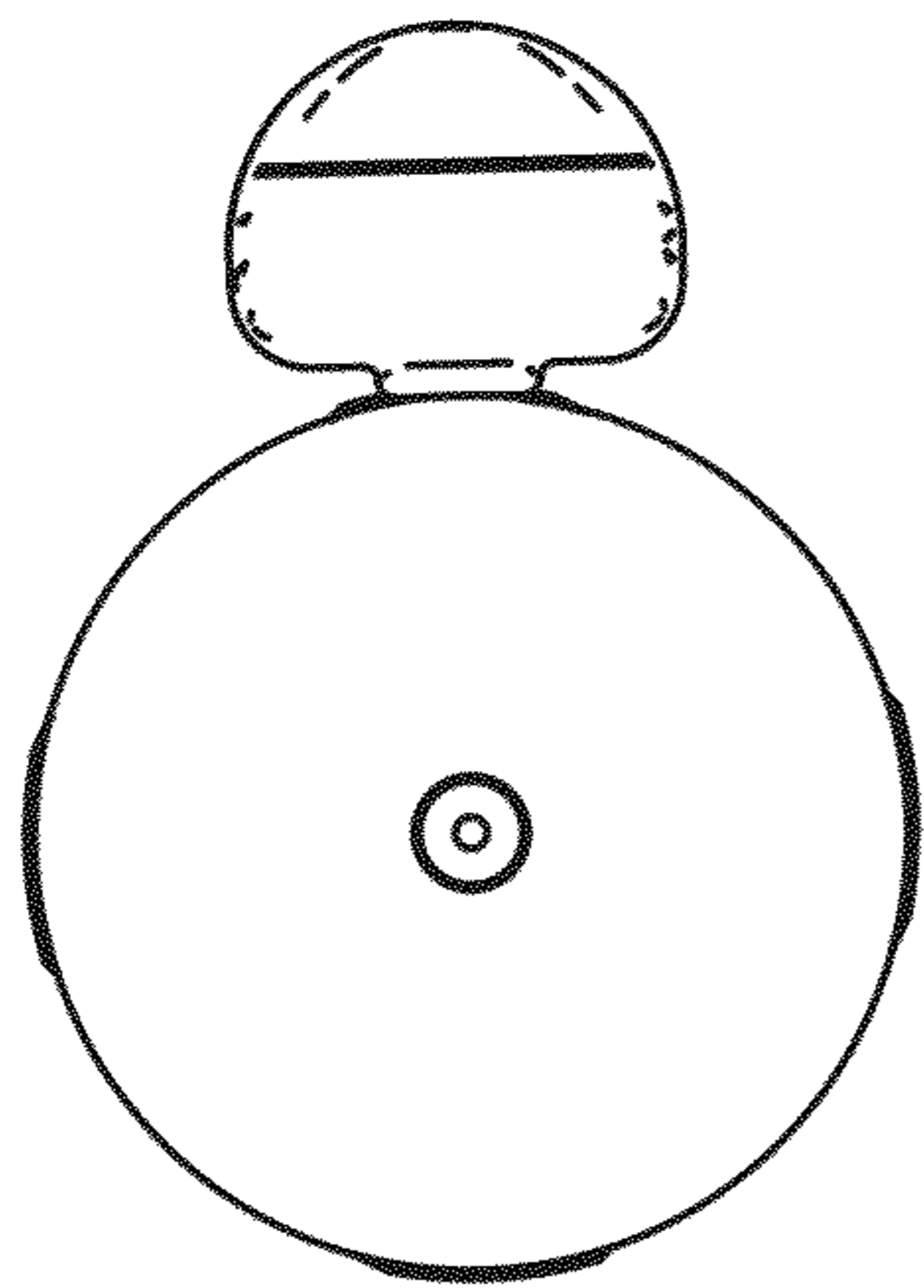


Fig. 3

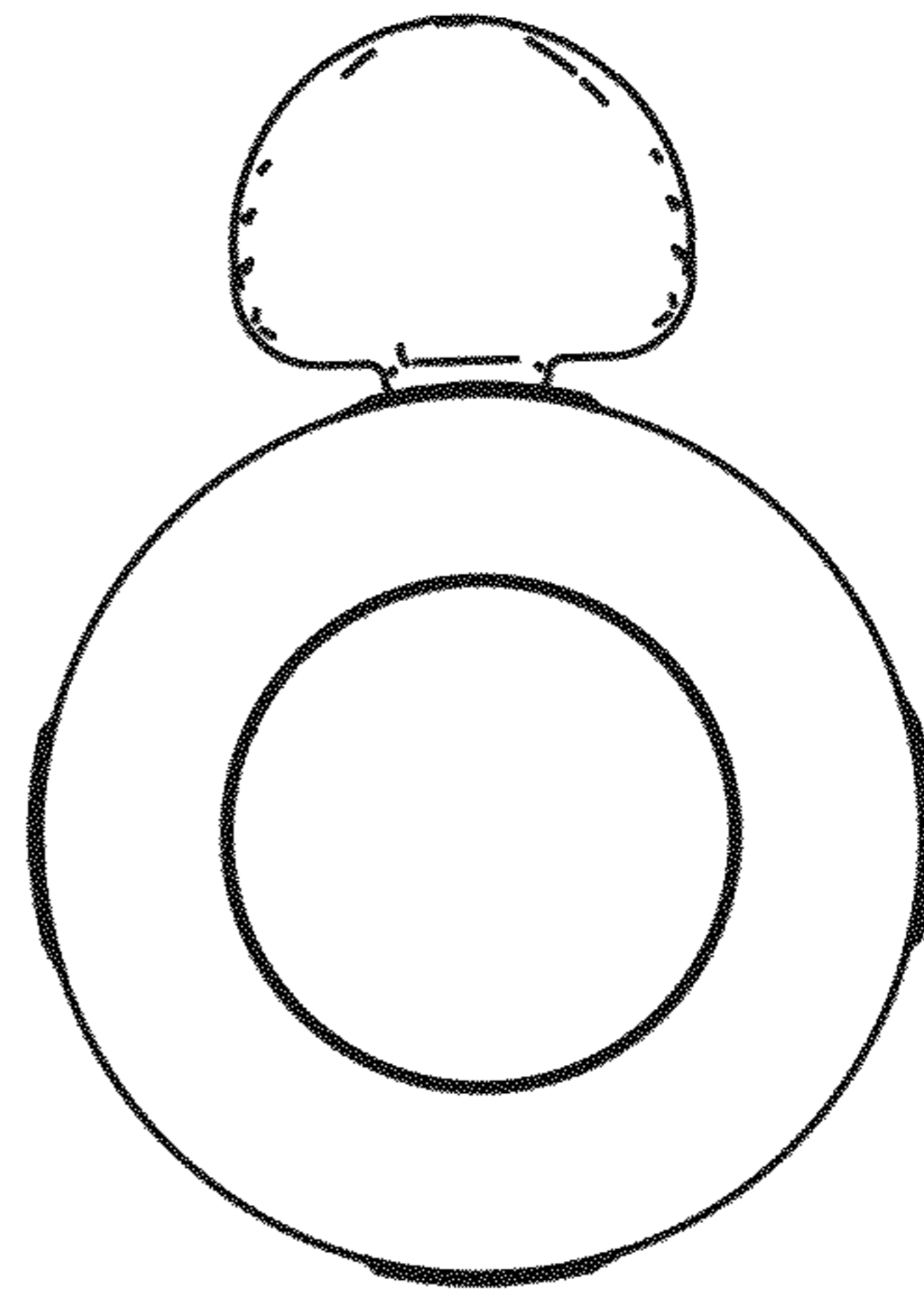


Fig. 4

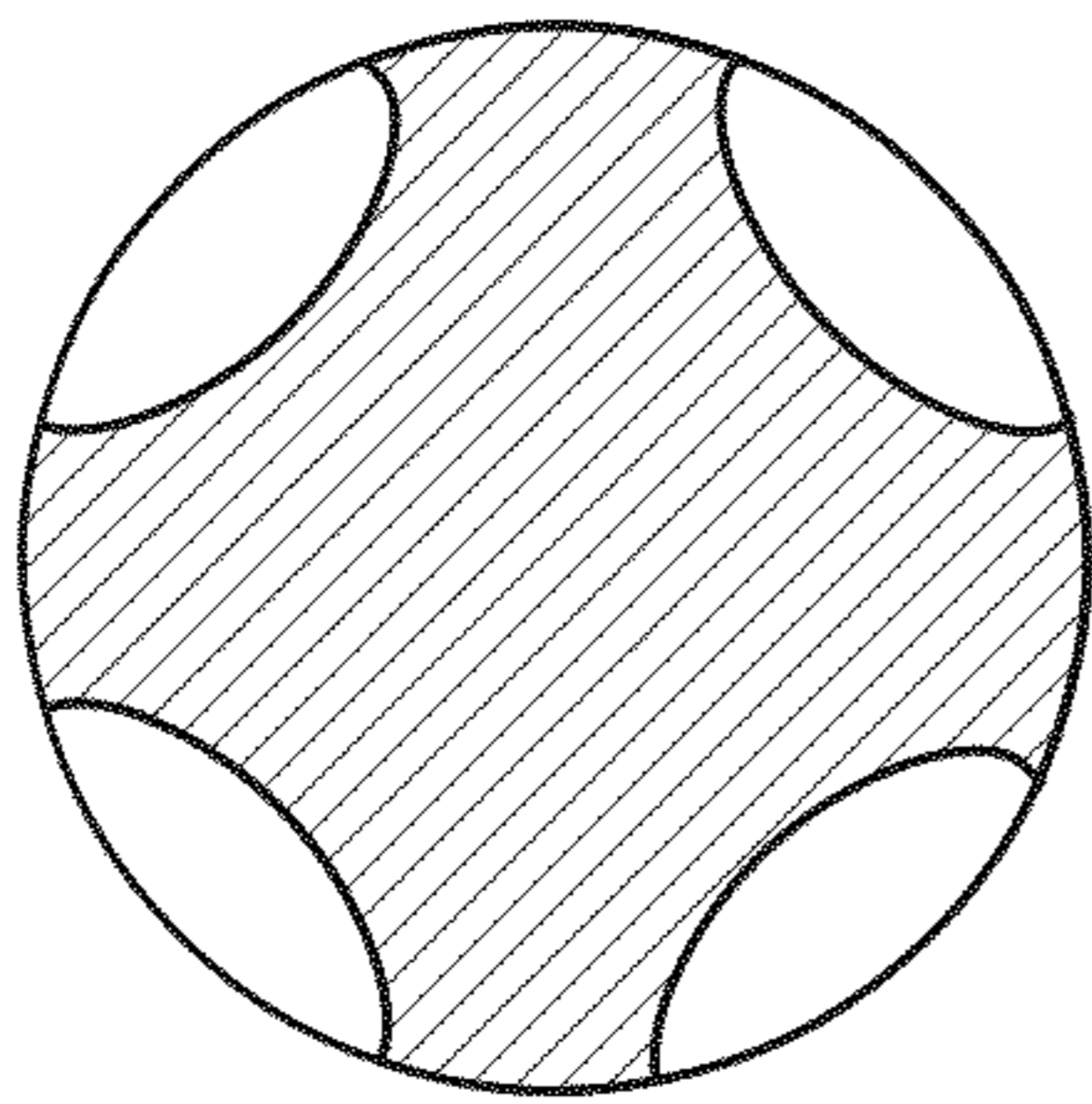


Fig. 5

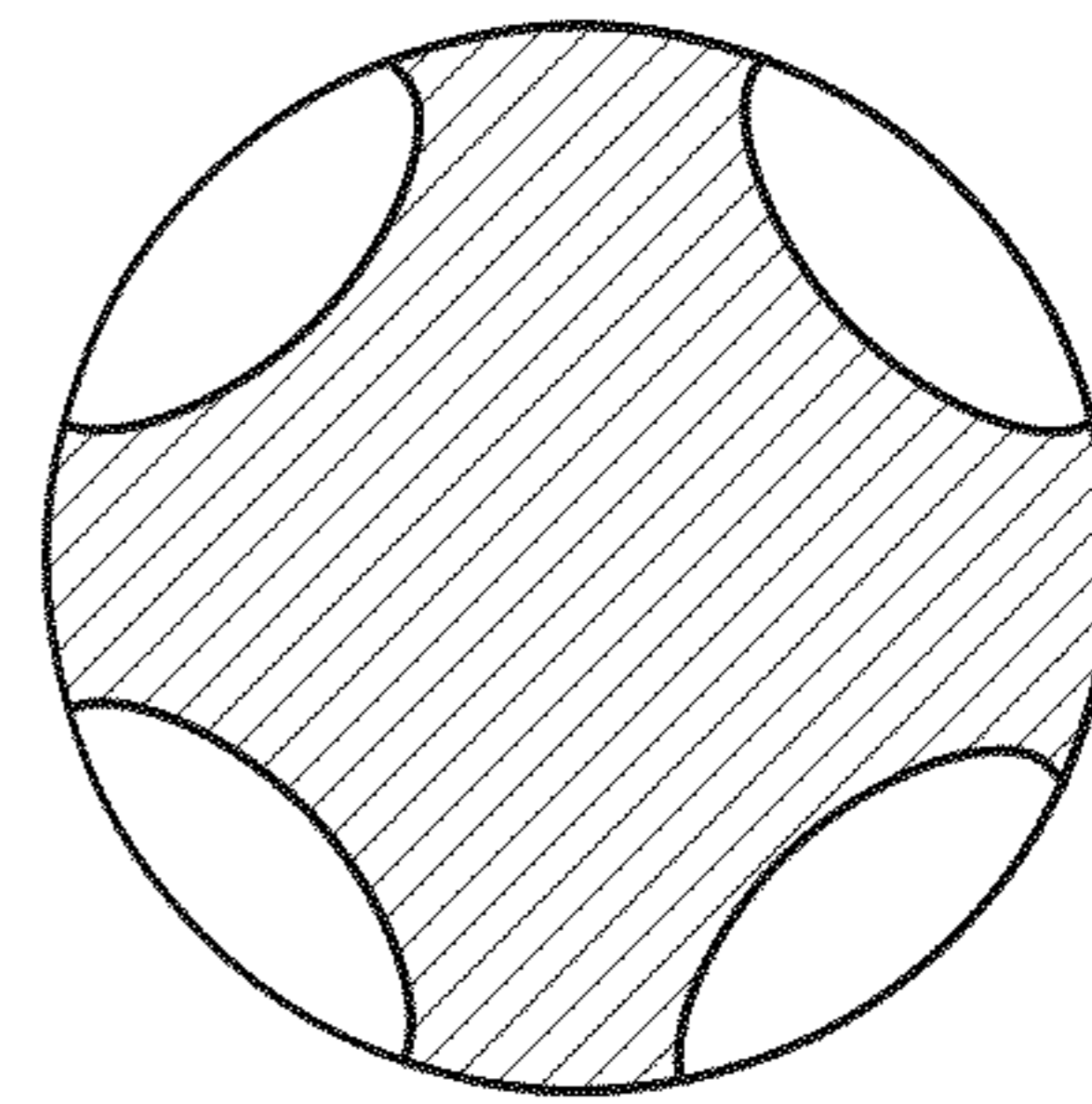


Fig. 6

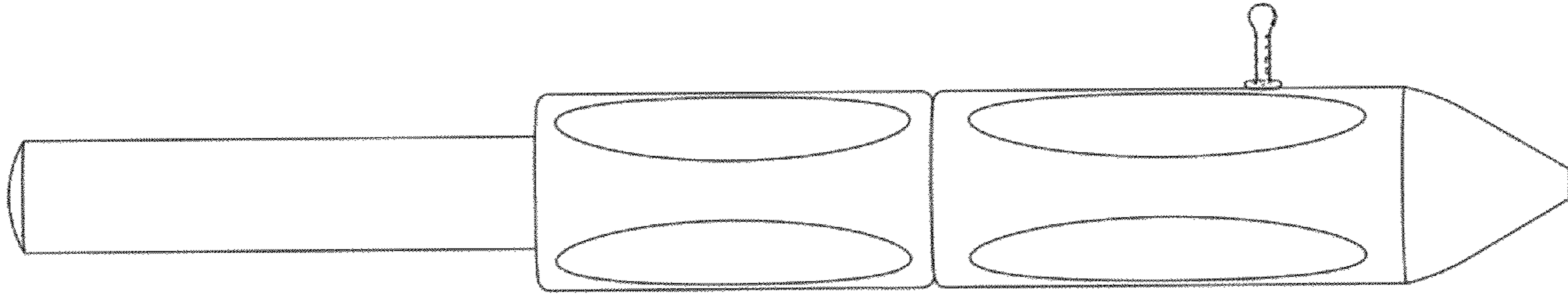


Fig. 7

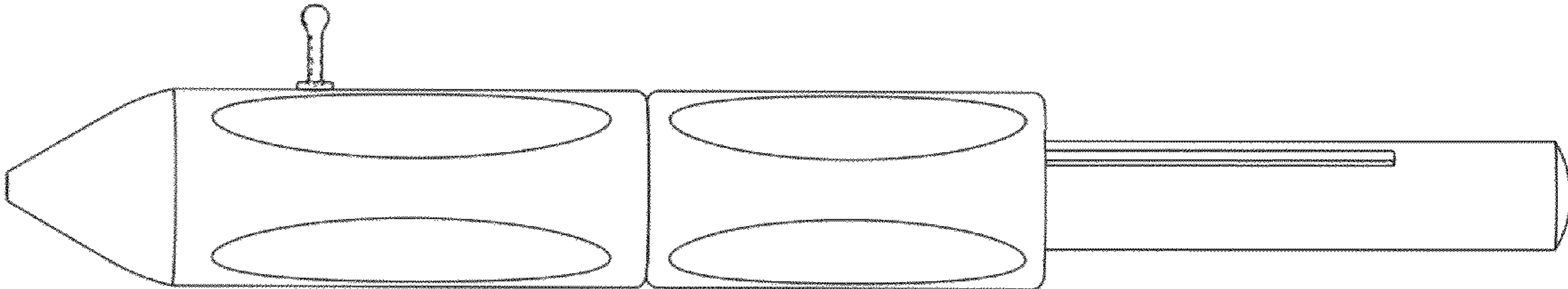


Fig. 8

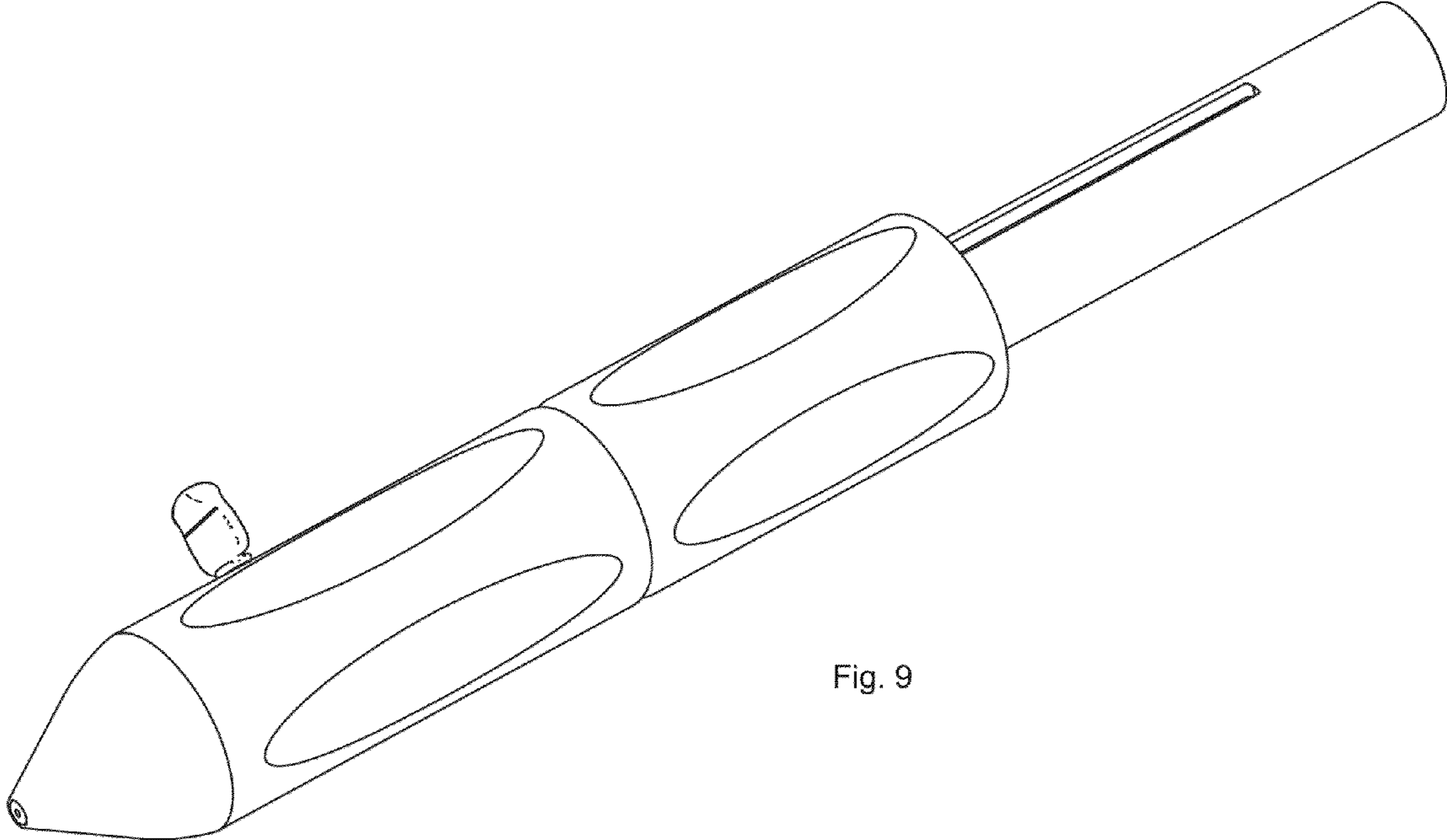


Fig. 9

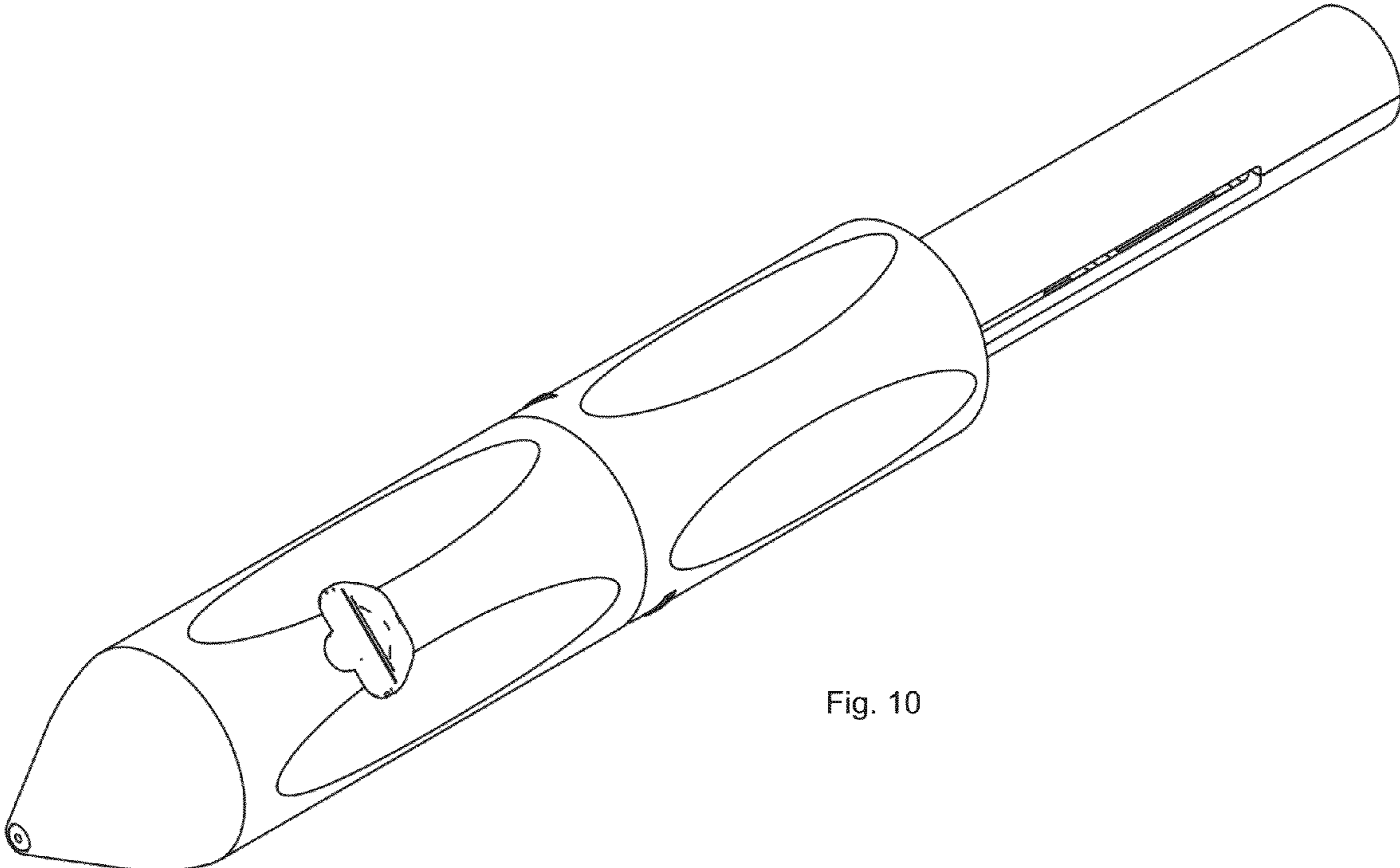


Fig. 10

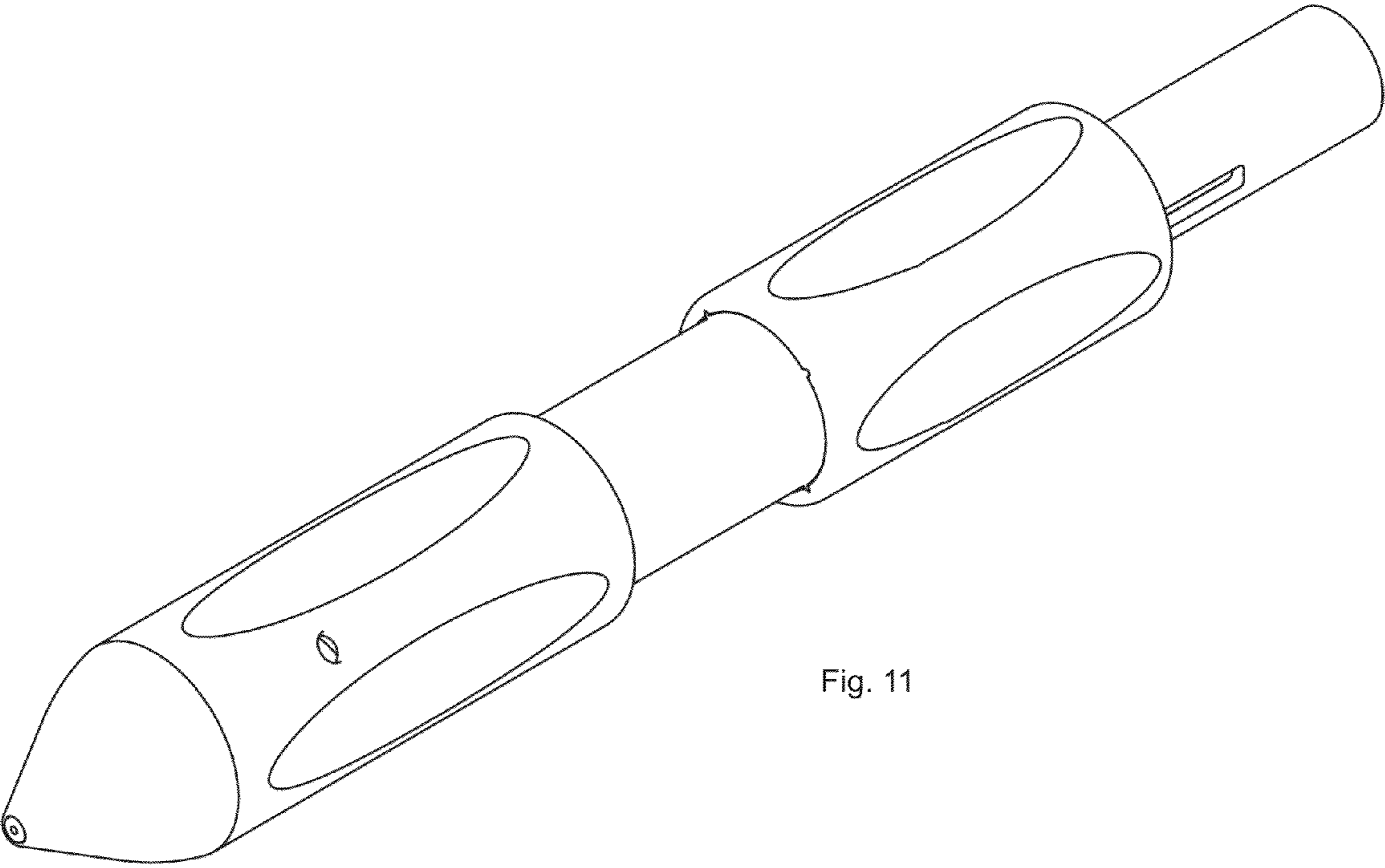


Fig. 11

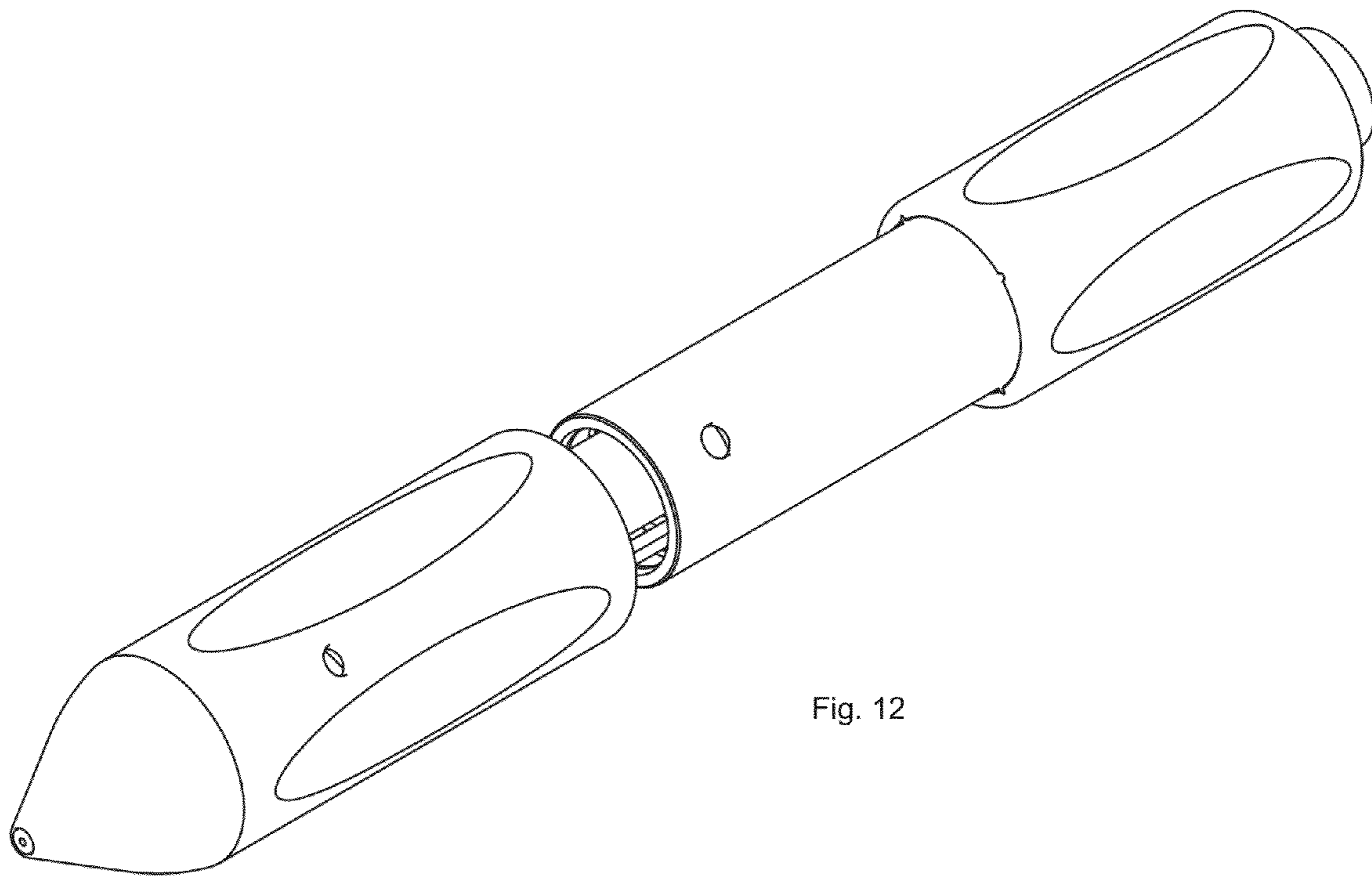


Fig. 12