



US00D741985S

(12) **United States Design Patent**
Ma et al.

(10) **Patent No.:** **US D741,985 S**
(45) **Date of Patent:** **** Oct. 27, 2015**

(54) **EXHAUST GAS TREATMENT APPARATUS**

(71) Applicant: **FIH (Hong Kong) Limited**, Kowloon (HK)

(72) Inventors: **Zhi-Jin Ma**, Shenzhen (CN); **Fei Yu**, Shenzhen (CN)

(73) Assignee: **FIH (Hong Kong) Limited**, Kowloon (HK)

(**) Term: **14 Years**

(21) Appl. No.: **29/452,430**

(22) Filed: **Apr. 16, 2013**

(51) **LOC (10) Cl.** **23-04**

(52) **U.S. Cl.**
USPC **D23/365**

(58) **Field of Classification Search**
USPC D23/365, 209, 363, 358, 386, 354, 341, D23/364; 55/385.3, 502, 497, 506, 505, 55/521, 495, 422, 493, DIG. 30; 210/435, 210/130, 136, 248, 339, 448, 452, 497.1; D32/31; D15/5; 423/210; 422/168
See application file for complete search history.

(56) **References Cited**

U.S. PATENT DOCUMENTS

3,841,828 A * 10/1974 Cooper 432/222
D288,476 S * 2/1987 Ebnoether D23/209
D304,854 S * 11/1989 Stackhouse et al. D23/365
D329,081 S * 9/1992 Jonasson et al. D23/209

D371,435 S * 7/1996 Locke D23/365
6,471,919 B2 * 10/2002 Wang et al. 422/172
6,926,870 B2 * 8/2005 Johnson et al. 422/168
7,118,721 B2 * 10/2006 Rini et al. 423/239.1
7,572,414 B2 * 8/2009 Karrs et al. 422/168
D621,903 S * 8/2010 Acernese et al. D23/209
D630,392 S * 1/2011 Lin D32/21
D651,775 S * 1/2012 Cheng D32/21
D651,776 S * 1/2012 Cheng D32/21

* cited by examiner

Primary Examiner — David Muller

(74) *Attorney, Agent, or Firm* — Novak Druce Connolly Bove + Quigg LLP

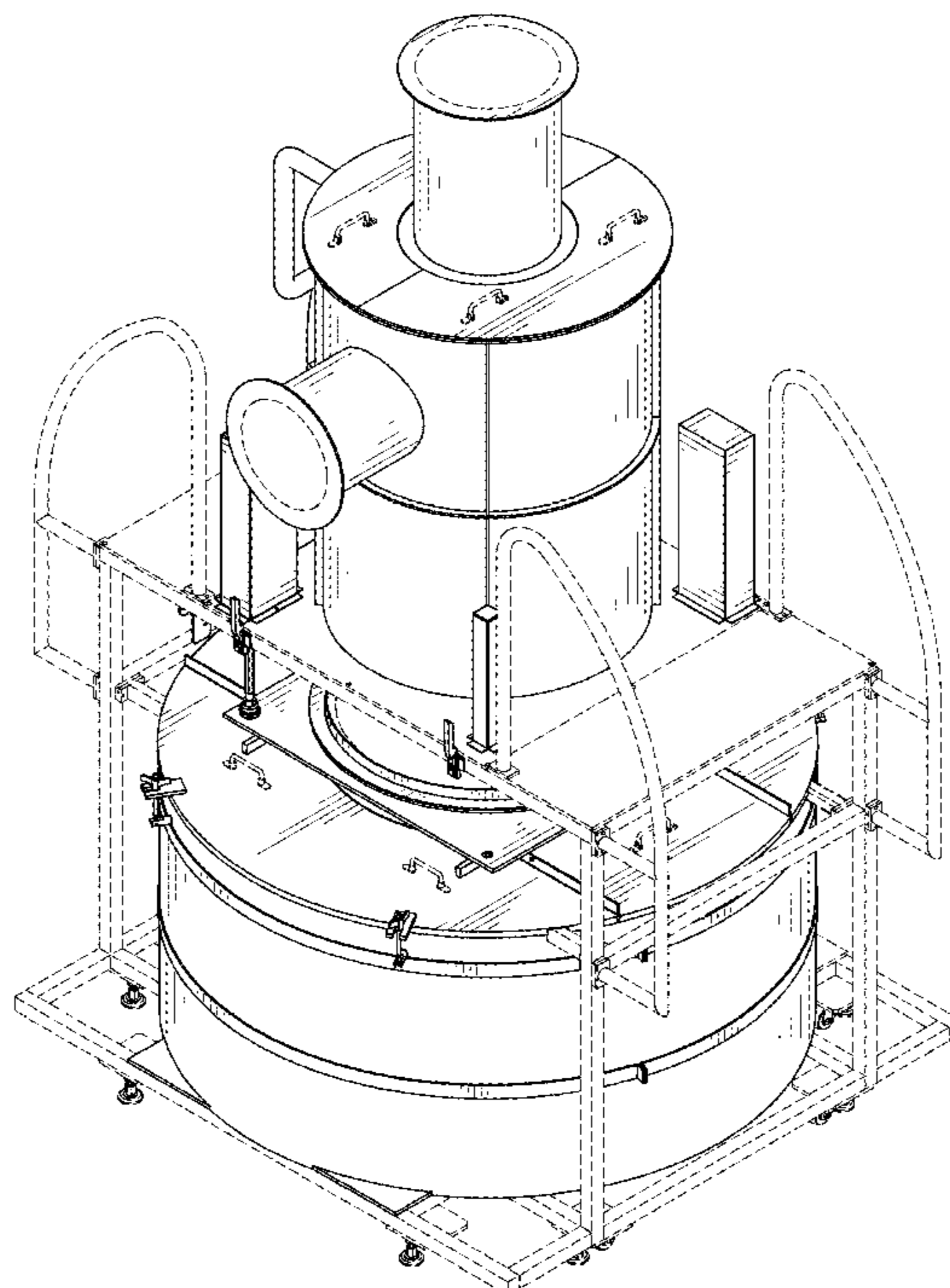
(57) **CLAIM**

The ornamental design for a exhaust gas treatment apparatus, as shown and described.

DESCRIPTION

FIG. 1 is a perspective view of a exhaust gas treatment apparatus showing our new design;
FIG. 2 is a front elevational view thereof;
FIG. 3 is a rear elevational view thereof;
FIG. 4 is a left side elevational view thereof;
FIG. 5 is a right side elevational view thereof;
FIG. 6 is a top plan view thereof; and,
FIG. 7 is a bottom plan view thereof.
The broken line showing of parts of the drawings is included for the purpose of illustrating use and environment and forms no part of the claimed design.

1 Claim, 7 Drawing Sheets



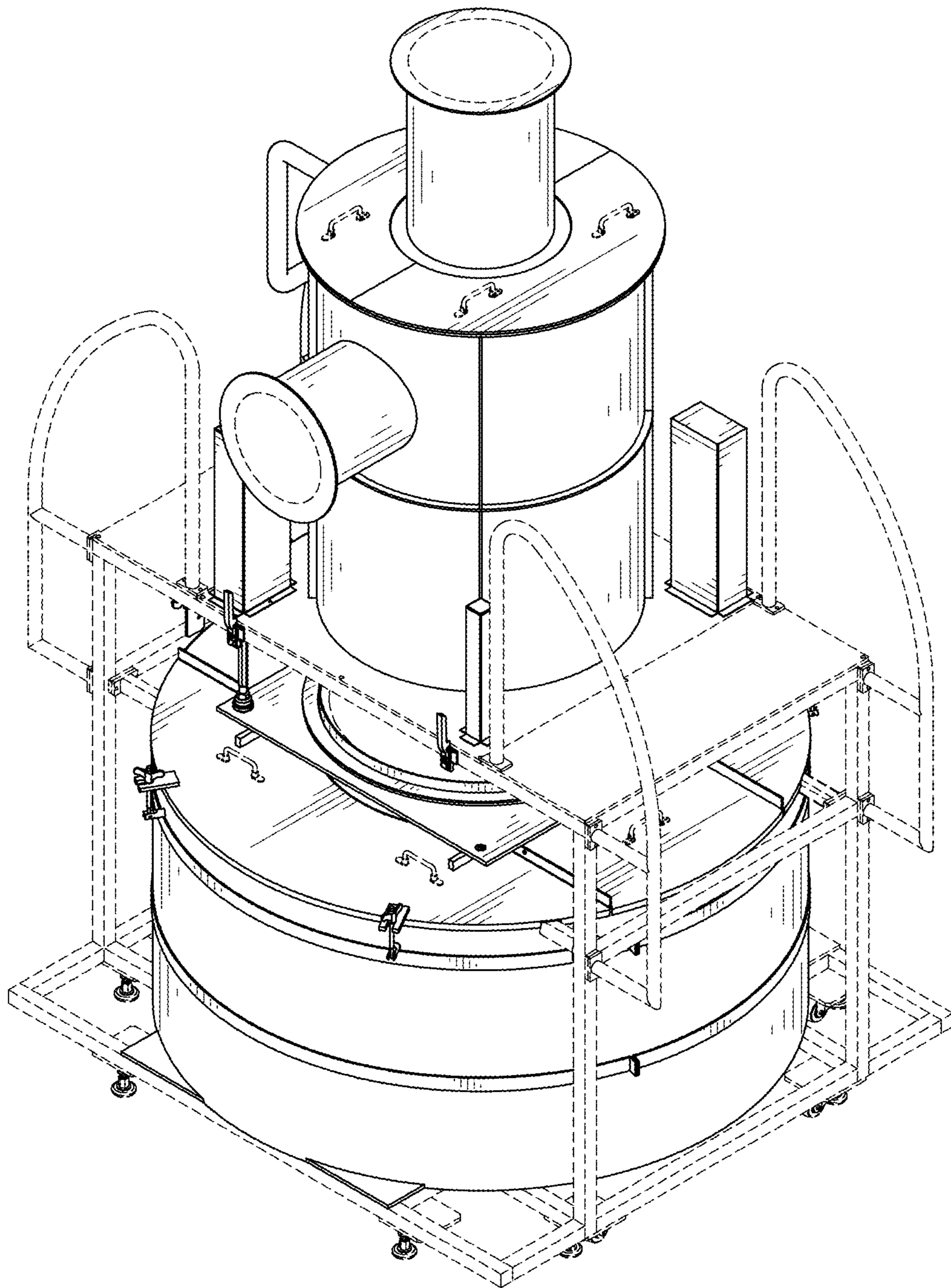


FIG. 1

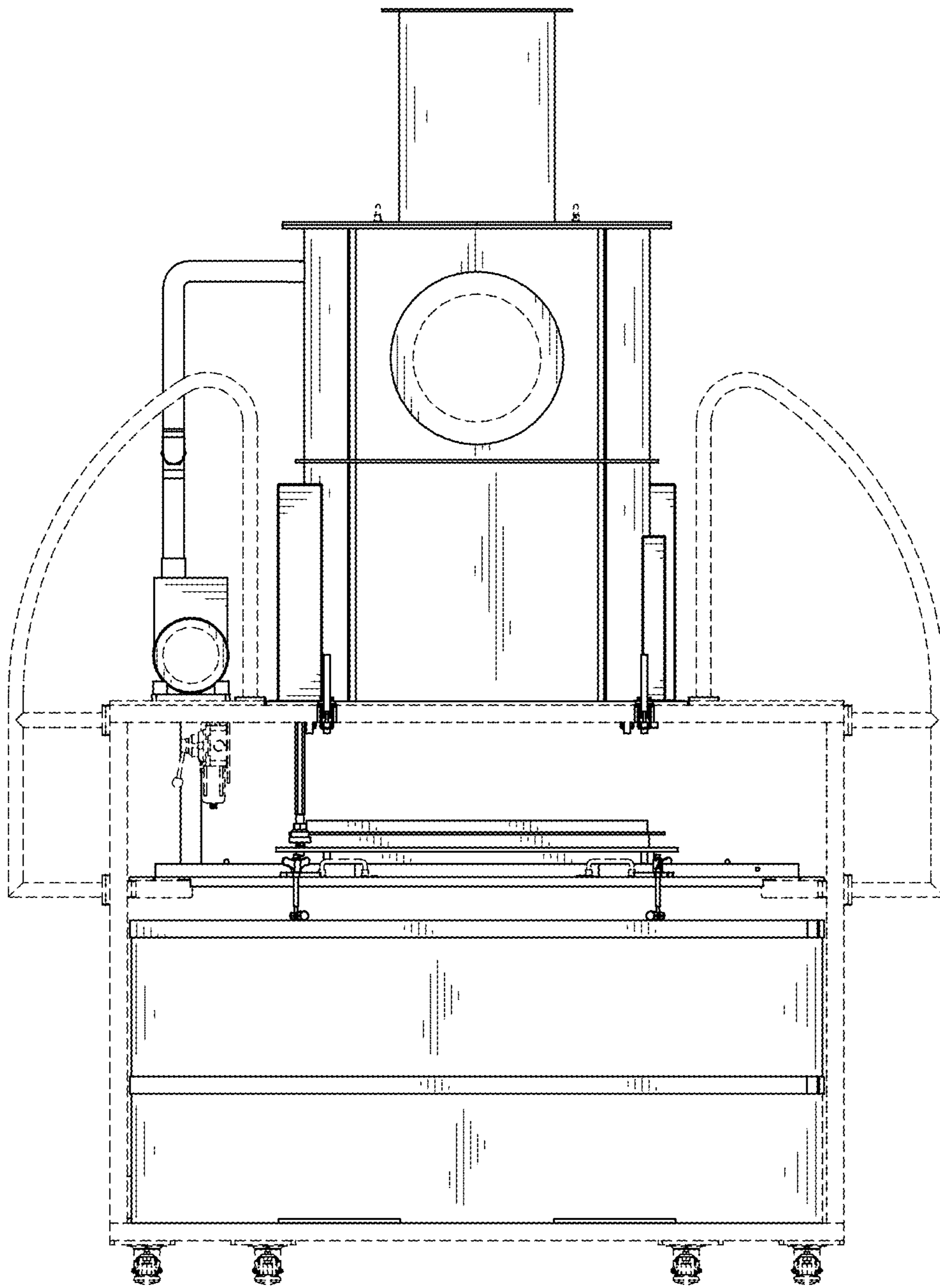


FIG. 2

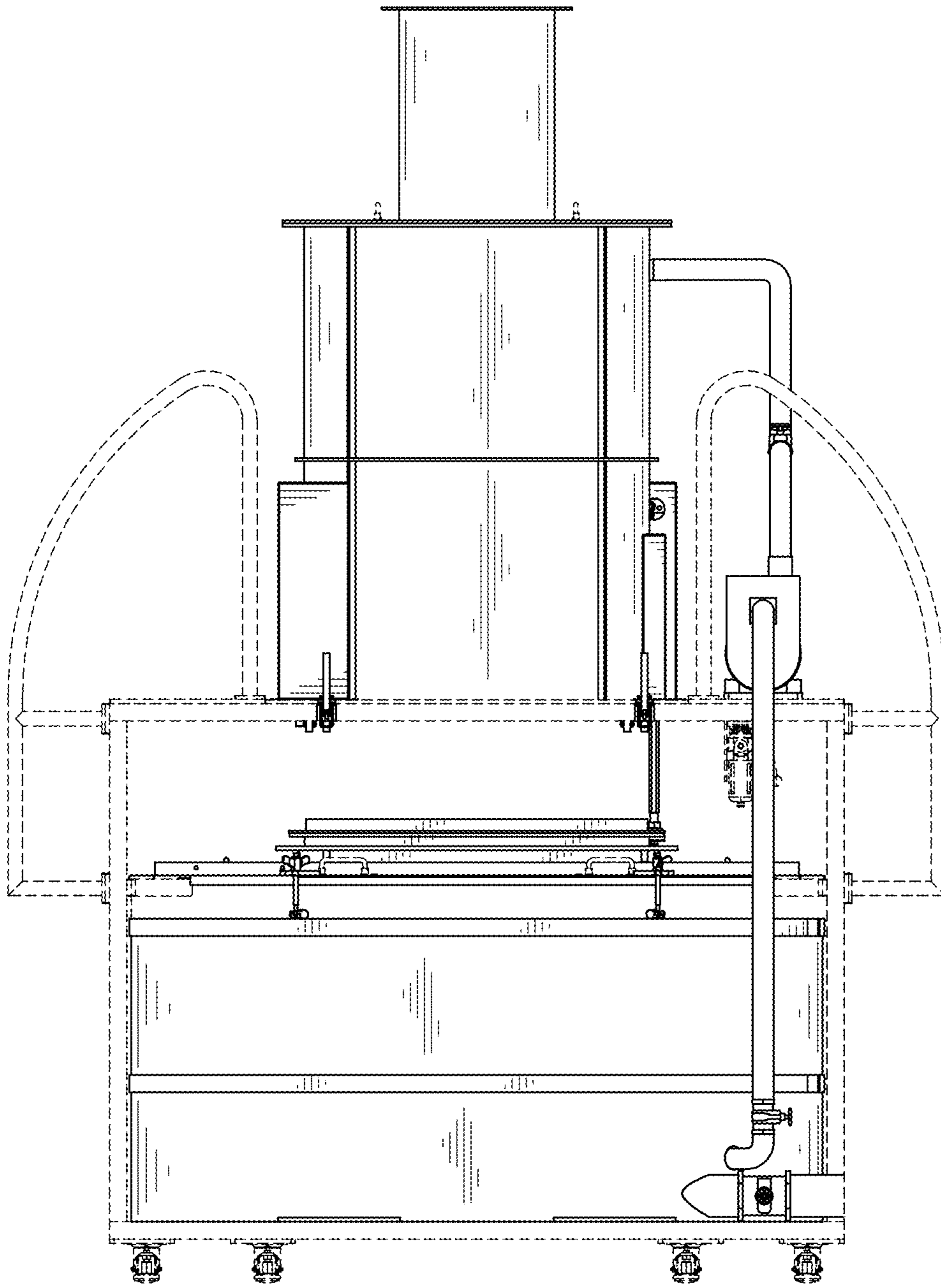


FIG. 3

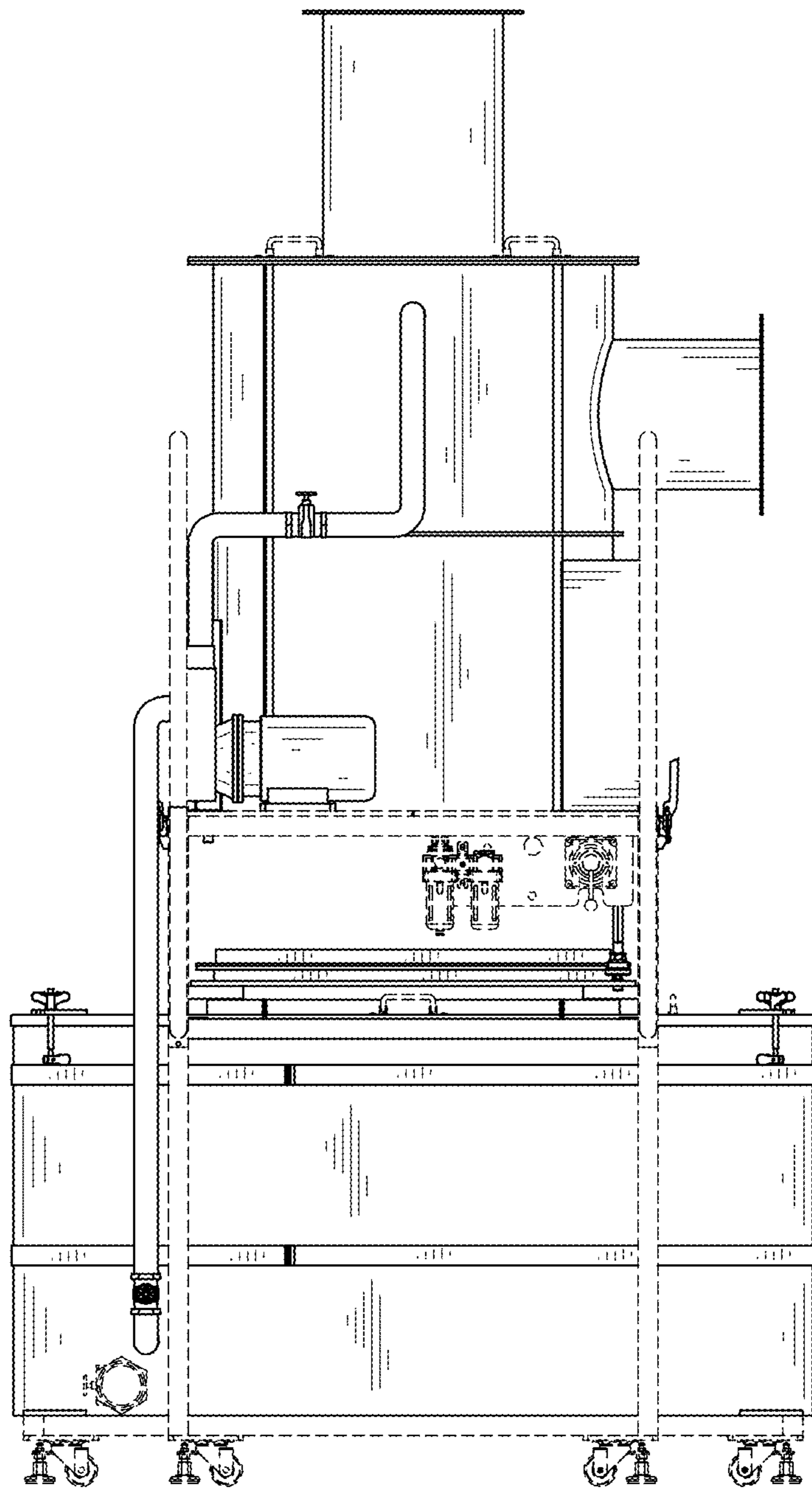


FIG. 4

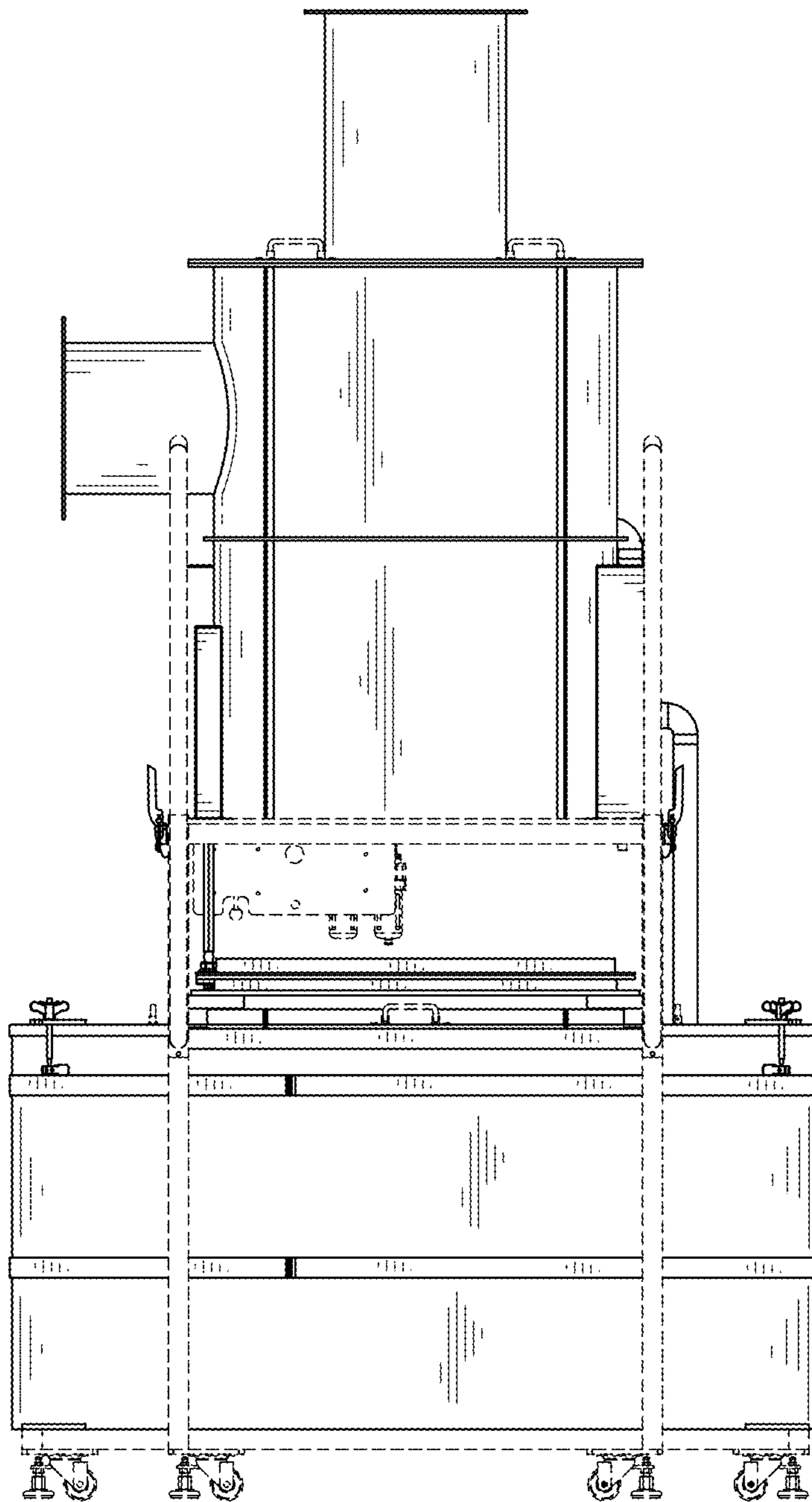


FIG. 5

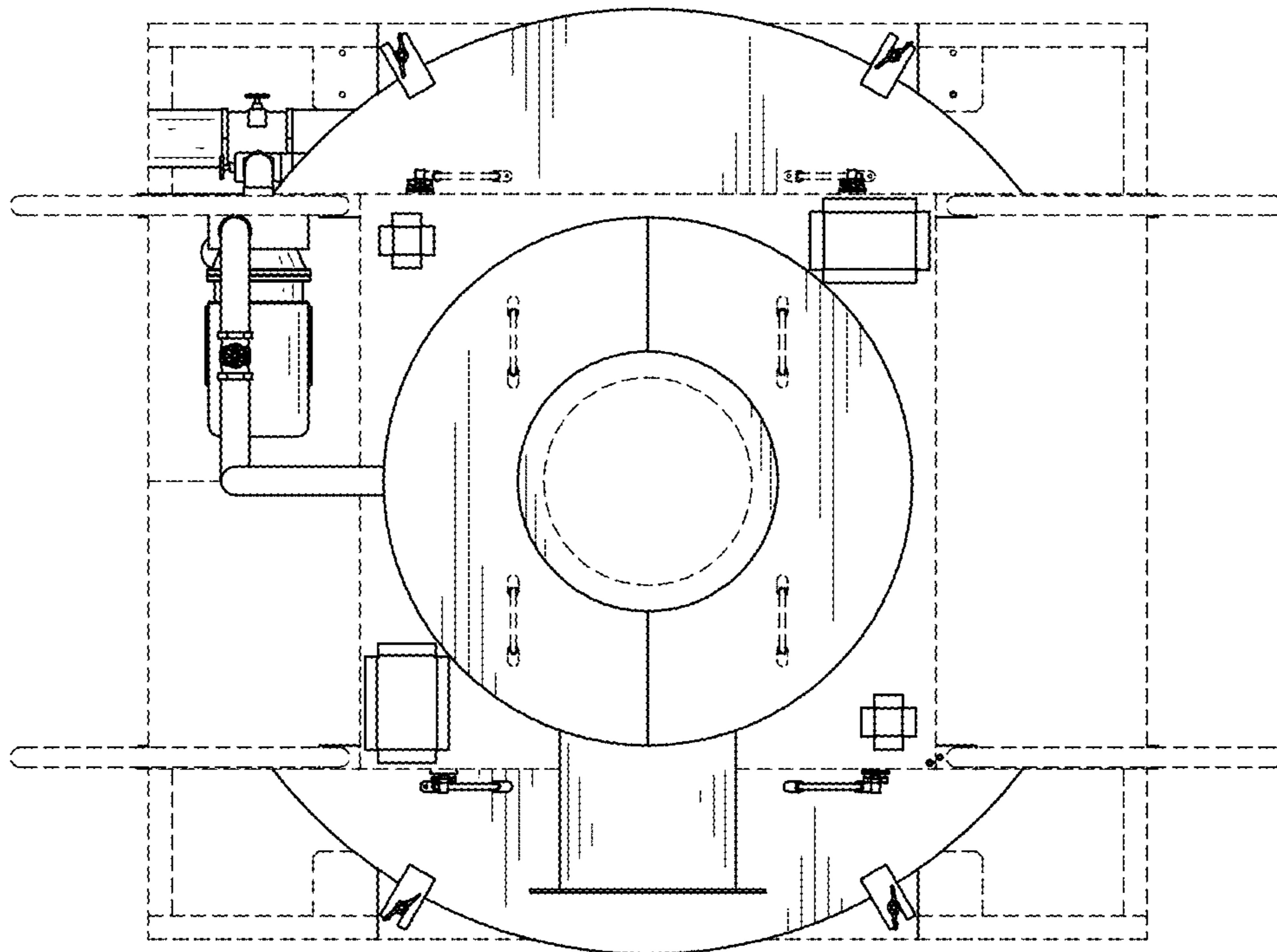


FIG. 6

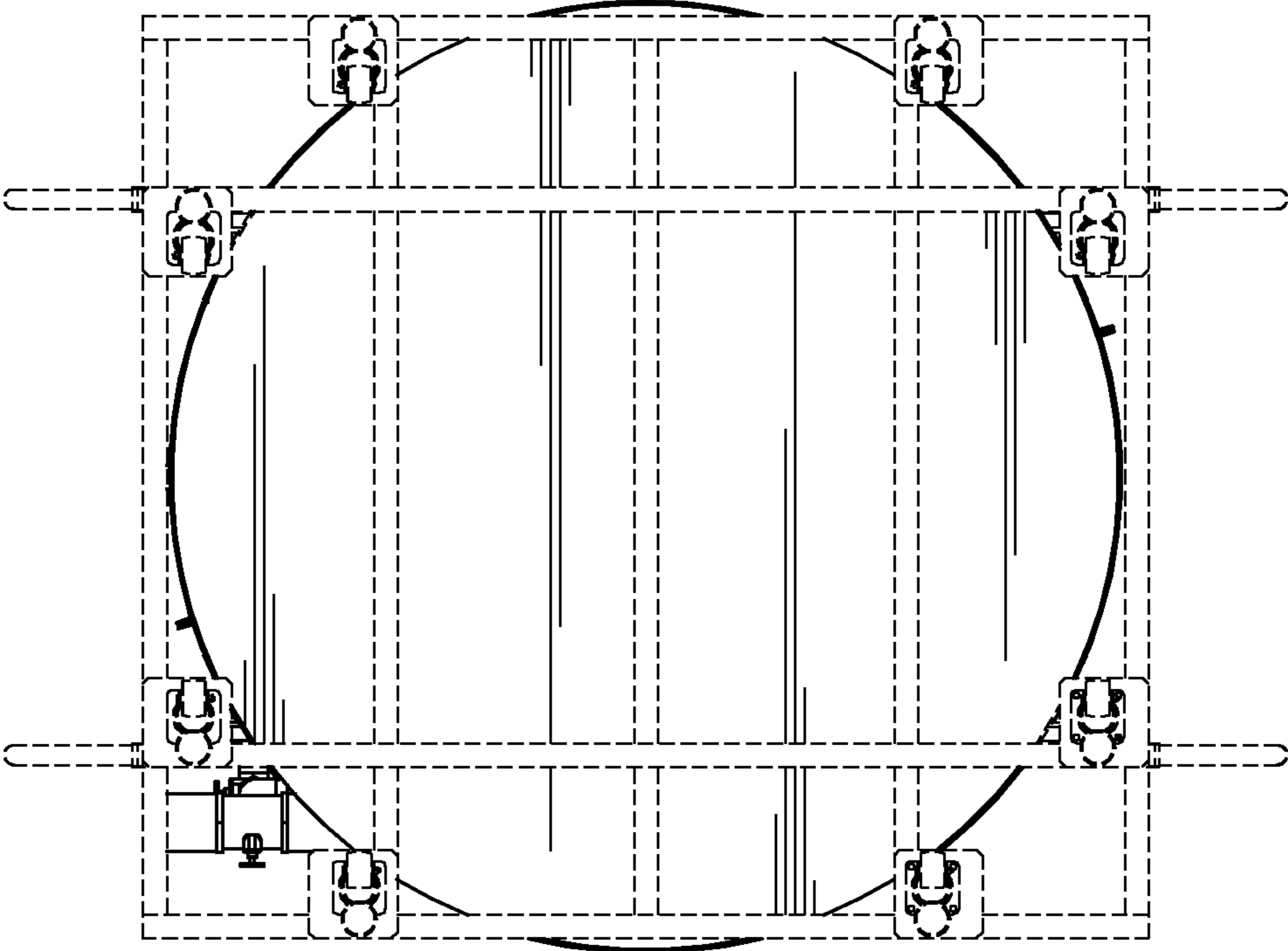


FIG. 7