

US00D741984S

(12) **United States Design Patent**
Bahler

(10) **Patent No.:** **US D741,984 S**

(45) **Date of Patent:** **** Oct. 27, 2015**

(54) **FAUCET HANDLE**

(71) Applicant: **Delta Faucet Company**, Indianapolis,
IN (US)

(72) Inventor: **Jordan Renee Bahler**, Frankfort, IN
(US)

(73) Assignee: **DELTA FAUCET COMPANY**,
Indianapolis, IN (US)

(**) Term: **14 Years**

(21) Appl. No.: **29/514,355**

(22) Filed: **Jan. 12, 2015**

(51) **LOC (10) Cl.** **23-01**

(52) **U.S. Cl.**
USPC **D23/252**

(58) **Field of Classification Search**
USPC D23/238, 241-243, 249, 250, 252
CPC E03C 1/04; E03C 1/0401; E03C 1/0402;
E03C 1/0404

See application file for complete search history.

(56) **References Cited**

U.S. PATENT DOCUMENTS

D287,164 S * 12/1986 Piesco D23/252
D318,319 S * 7/1991 Rokita D23/238
D319,294 S * 8/1991 Kohler et al. D23/254

* cited by examiner

Primary Examiner — Robert Delehanty

(74) *Attorney, Agent, or Firm* — Edgar A. Zarins; Nirav D. Parikh

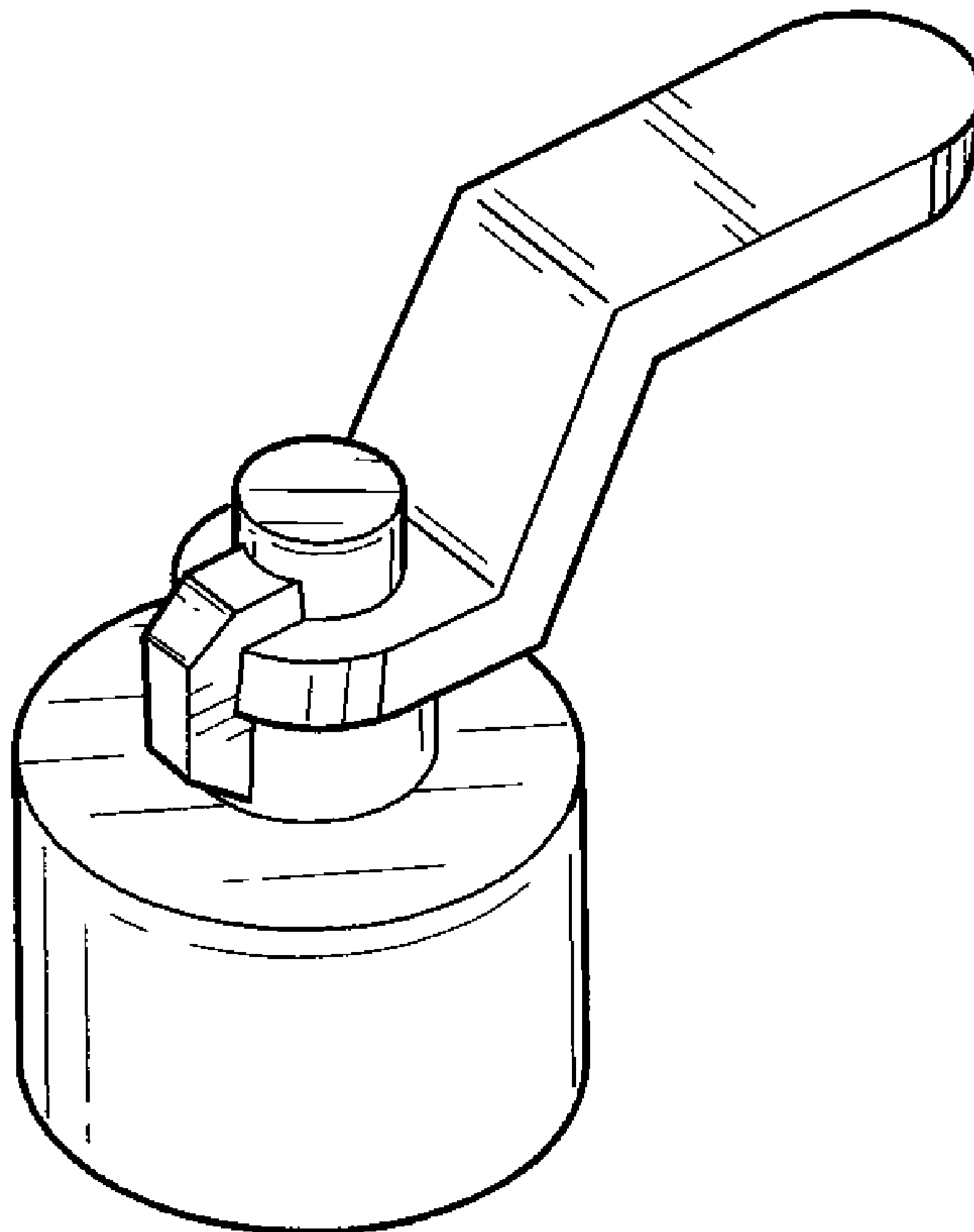
(57) **CLAIM**

The ornamental design for a faucet handle, as shown and described.

DESCRIPTION

FIG. 1 is a perspective view of a faucet handle showing my new design;
FIG. 2 is a top view thereof;
FIG. 3 is a first side view thereof, the opposite side being a mirror image of the side shown;
FIG. 4 is a bottom view thereof;
FIG. 5 is a first end view thereof;
FIG. 6 is a second end view thereof; and,
FIG. 7 is a perspective view of a second embodiment of a faucet handle, FIGS. 2 and 4 being top and bottom views, the difference being proportionate height of end views FIGS. 3, 5 and 6.

1 Claim, 1 Drawing Sheet



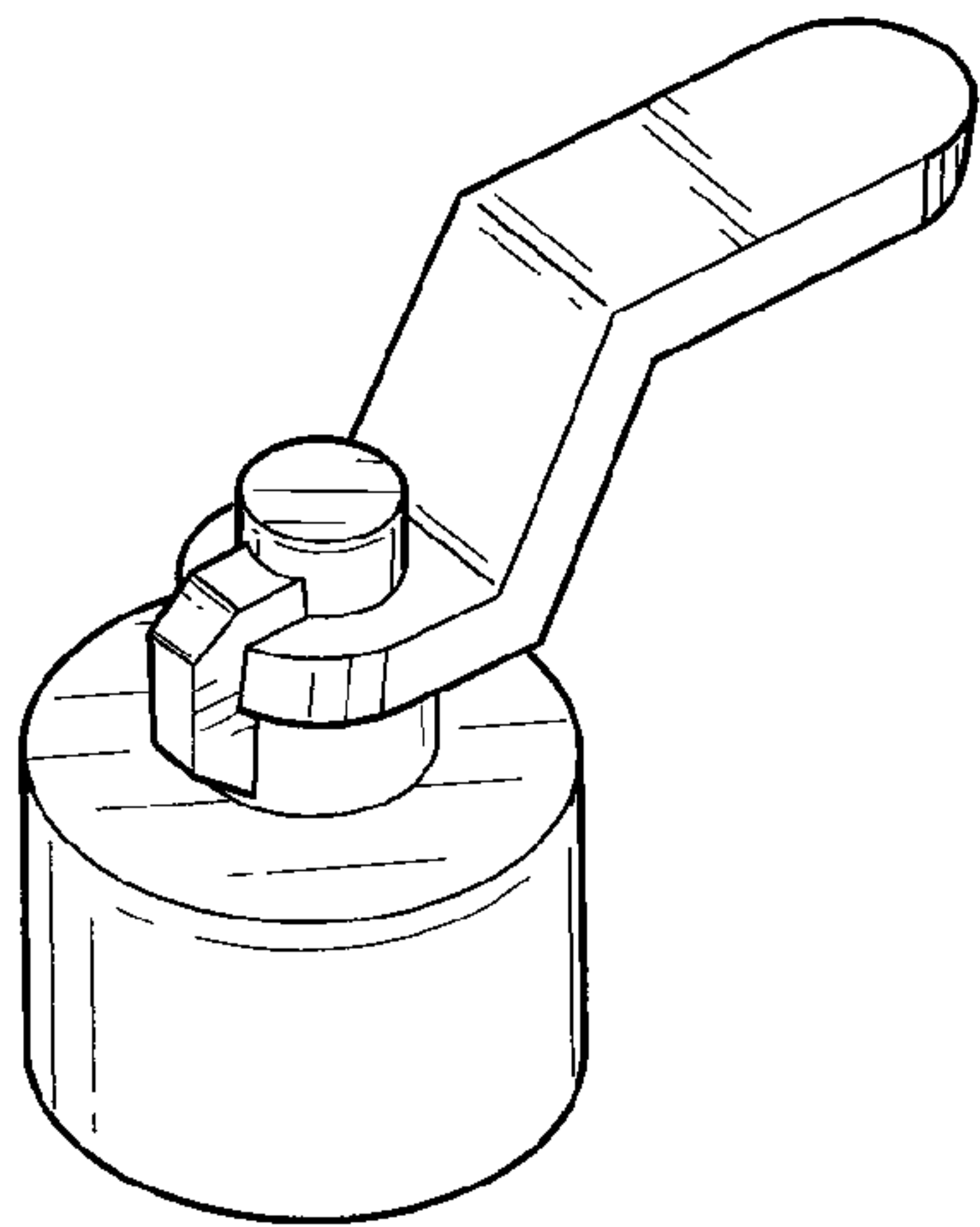


Fig-1

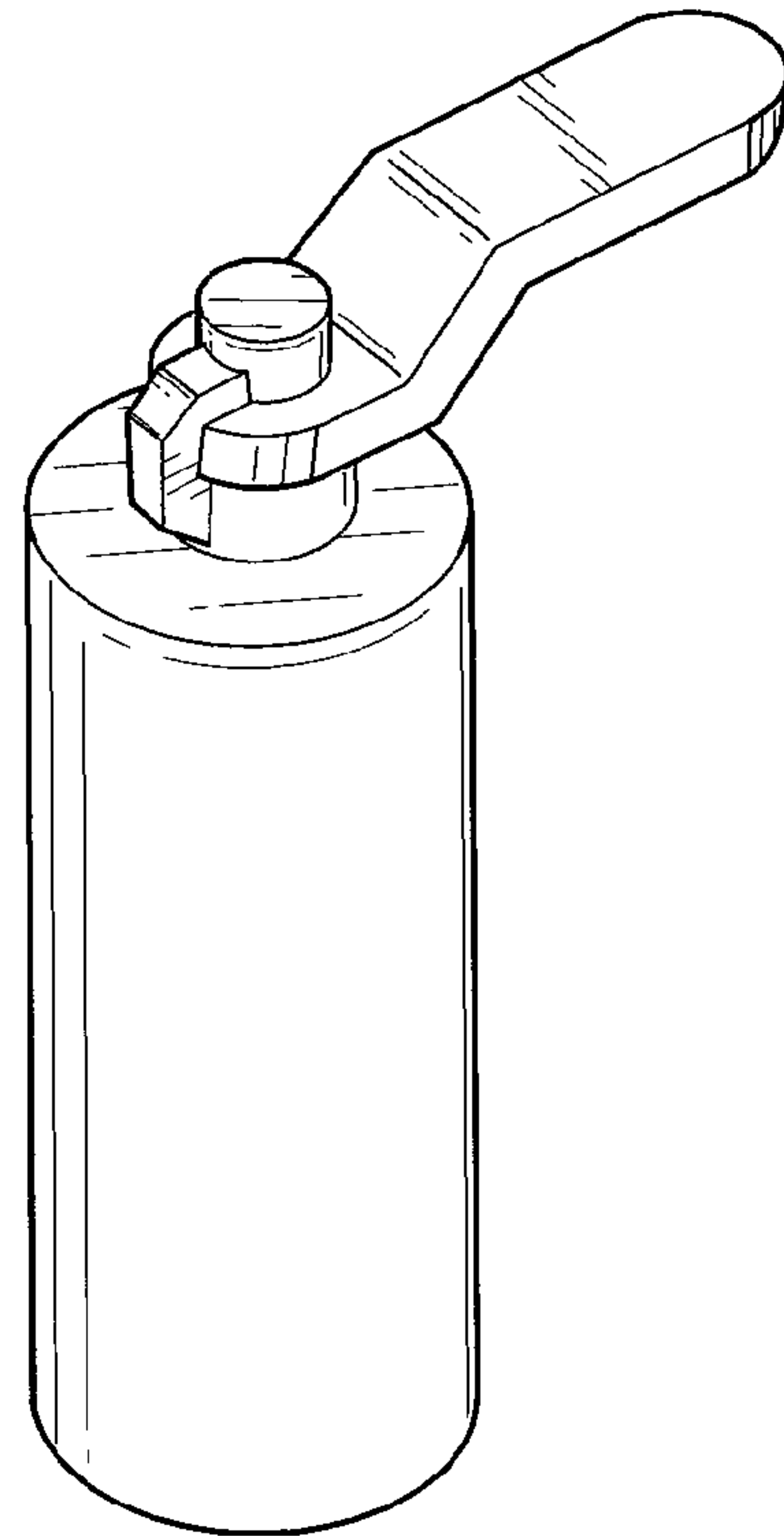


Fig-7

Fig-2

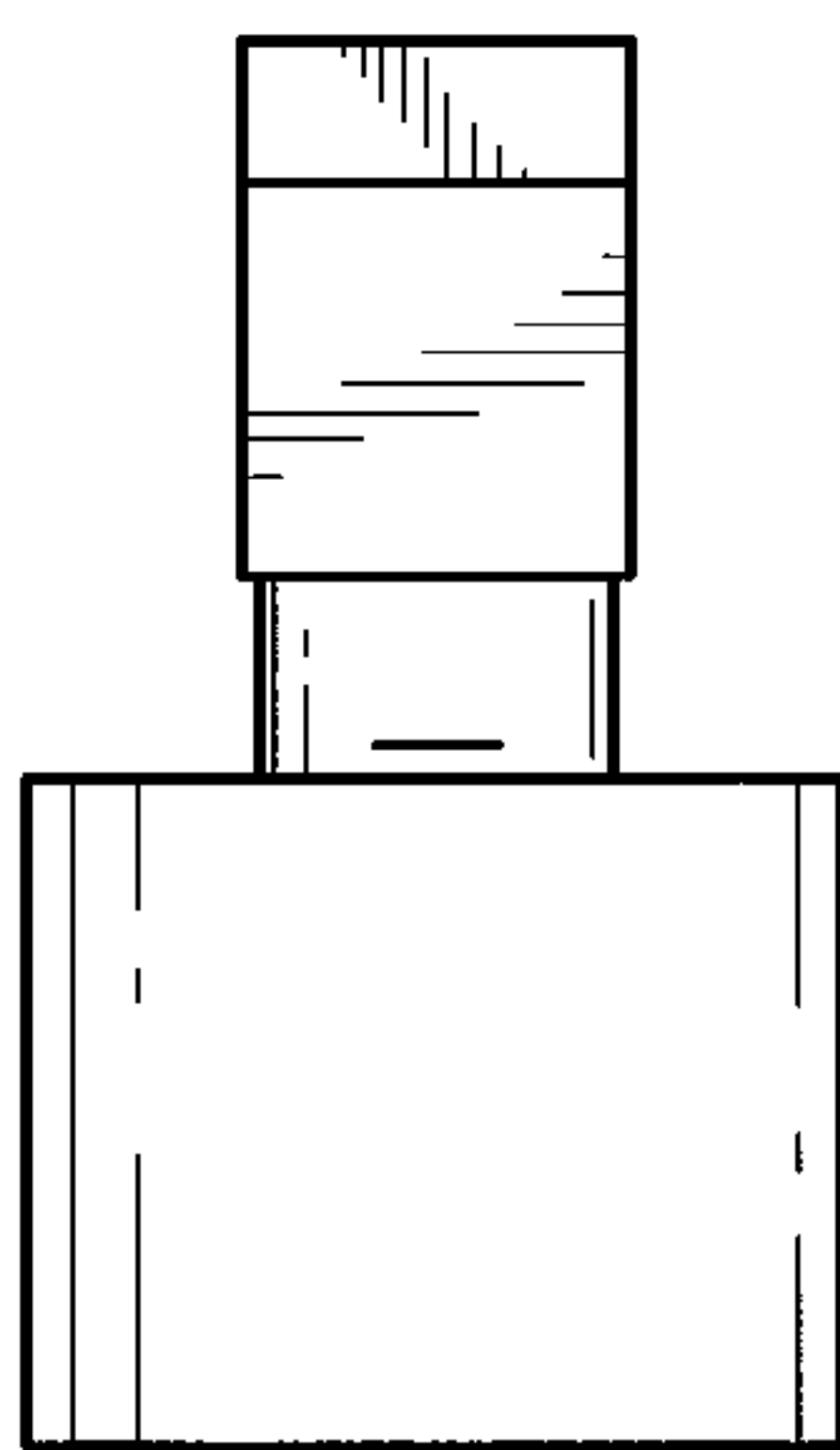
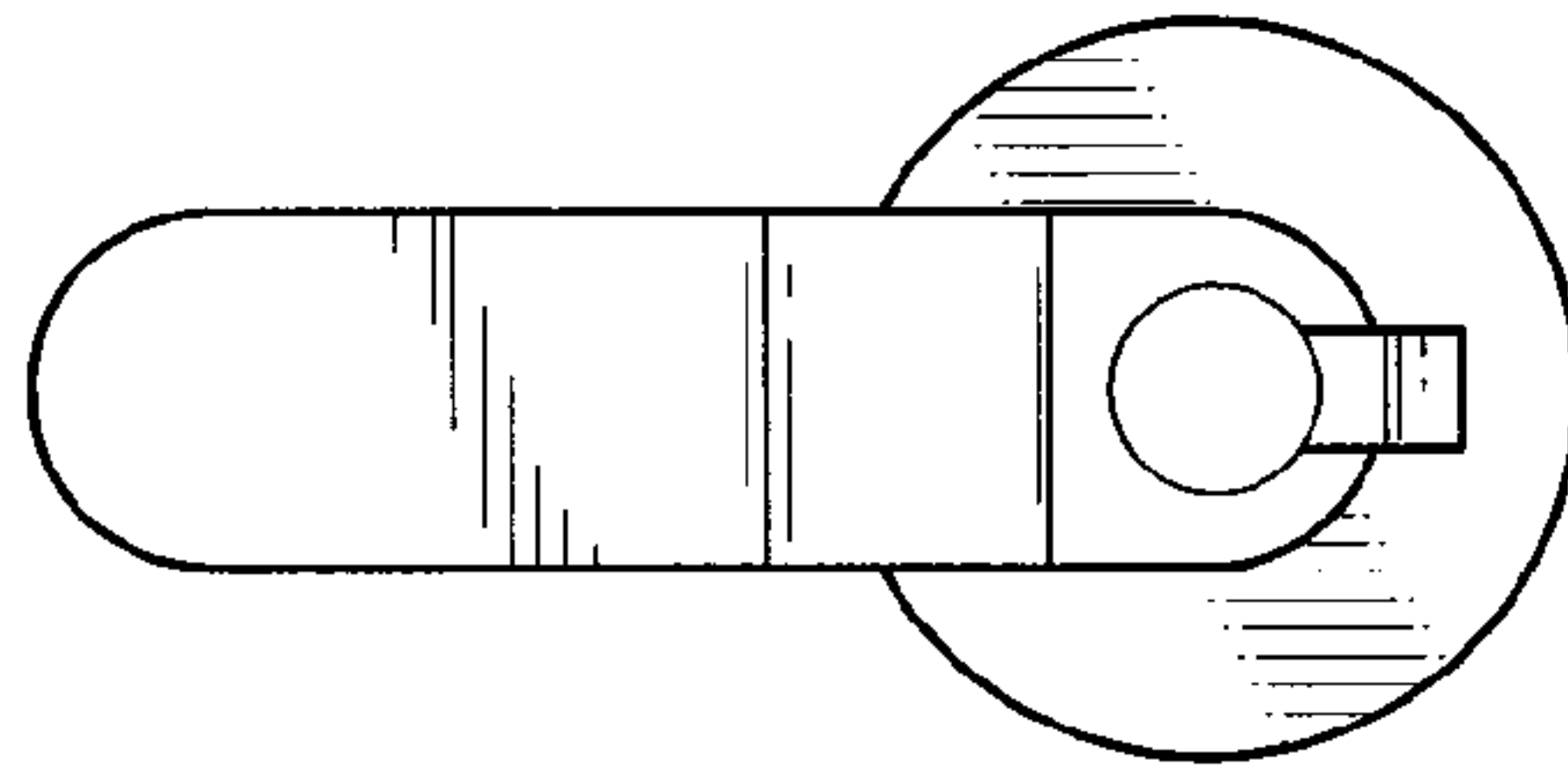


Fig-5

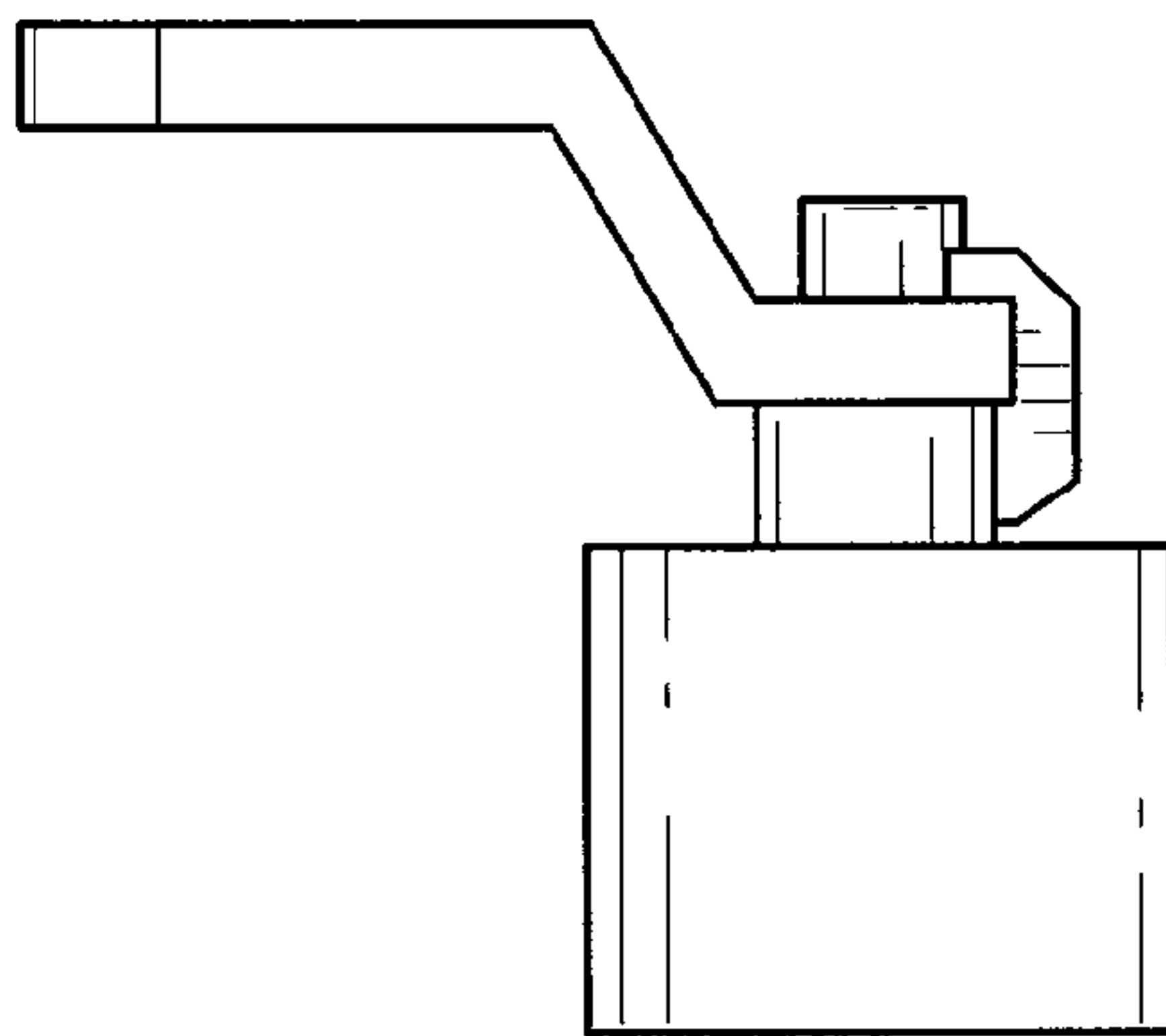


Fig-3

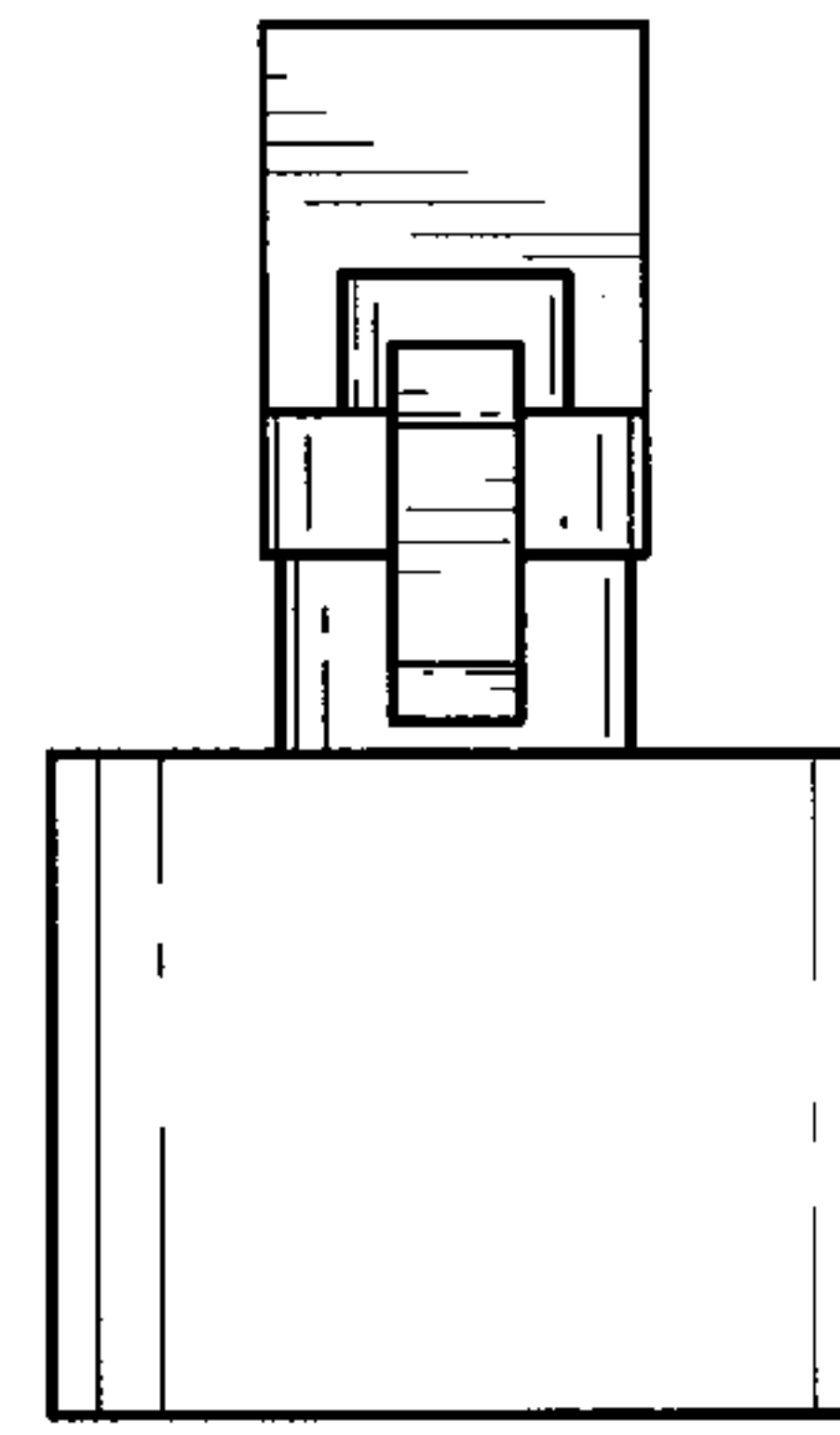


Fig-6

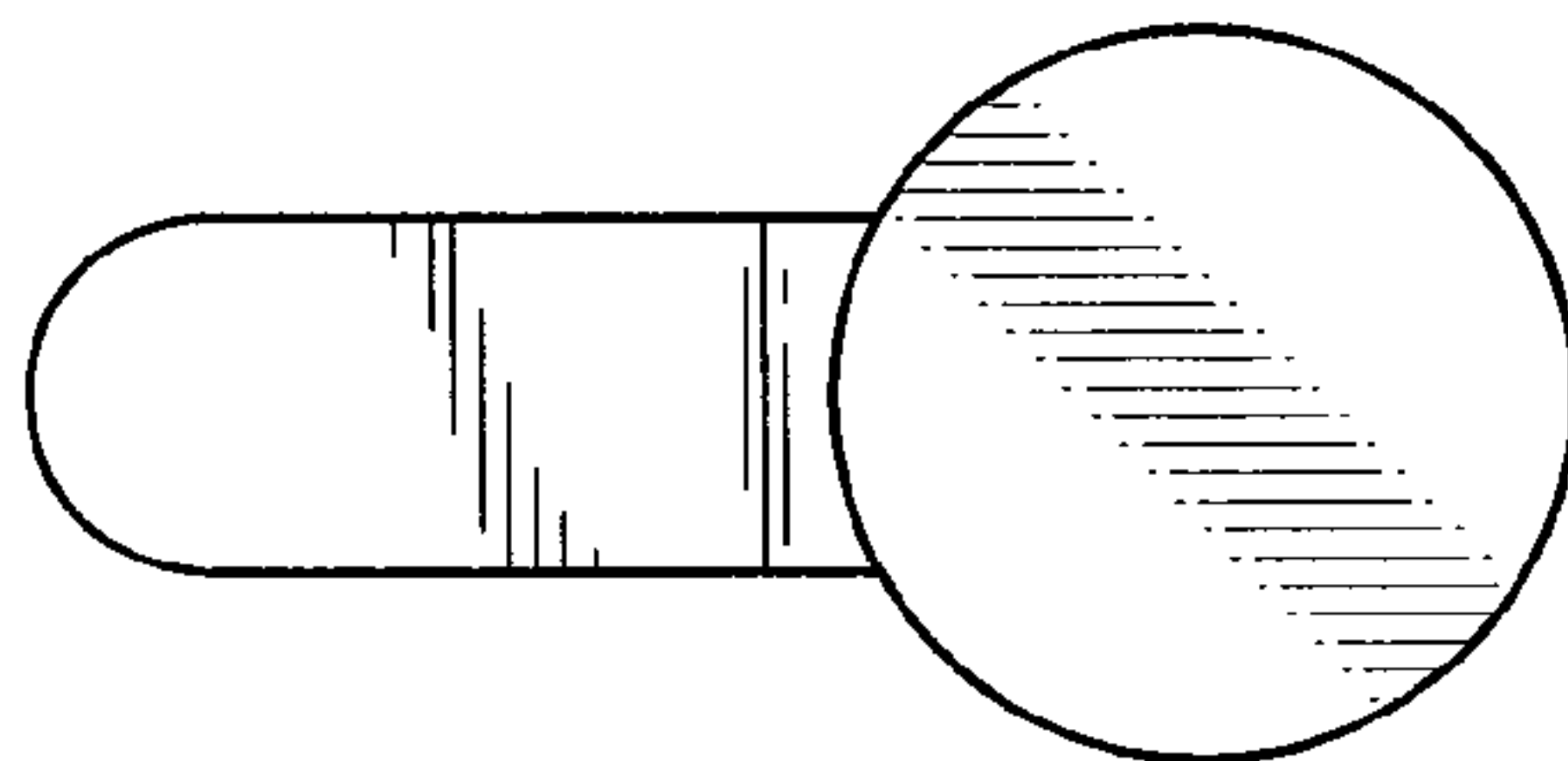


Fig-4