



US00D741983S

(12) **United States Design Patent**  
**Mueller et al.**

(10) **Patent No.:** **US D741,983 S**

(45) **Date of Patent:** **\*\* Oct. 27, 2015**

(54) **FILTER ASSEMBLY**

(71) Applicant: **Sartorius Stedim Biotech GmbH**,  
Goettingen (DE)

(72) Inventors: **Alexander Mueller**,  
Neunkirchen-Seelscheid (DE); **Dirk  
Lamprecht**, Erlangen (DE); **Thomas  
Krumbein**, Ebergoetzen (DE); **Stefan  
Weisshaar**, Adelebsen (DE); **Michael  
Bates**, Thrupp. Stroud. (GB)

(73) Assignee: **Sartorius Stedim Biotech GmbH** (DE)

(\*\*) Term: **14 Years**

(21) Appl. No.: **29/499,147**

(22) Filed: **Aug. 12, 2014**

(51) **LOC (10) Cl.** ..... **23-01**

(52) **U.S. Cl.**  
USPC ..... **D23/209**

(58) **Field of Classification Search**  
USPC ..... D23/207-210; D24/162; 210/321.72,  
210/321.75, 321.8, 321.6; 96/7  
See application file for complete search history.

(56) **References Cited**

U.S. PATENT DOCUMENTS

4,016,081 A \* 4/1977 Martinez et al. .... 210/321.75  
D322,117 S \* 12/1991 Kopf ..... D23/209  
D323,202 S \* 1/1992 Kopf ..... D23/209  
5,192,434 A \* 3/1993 Moller ..... 210/227  
7,569,144 B2 \* 8/2009 De Biran et al. .... 210/321.75

D652,103 S \* 1/2012 Okajima et al. .... D23/207  
D652,480 S \* 1/2012 Okajima et al. .... D23/207  
8,702,981 B2 \* 4/2014 Lutz et al. .... 210/167.21

\* cited by examiner

*Primary Examiner* — Robin V Webster

(74) *Attorney, Agent, or Firm* — Gerald E. Hespos; Michael  
J. Porco; Matthew T. Hespos

(57) **CLAIM**

The ornamental design for a filter assembly, as shown and  
described.

**DESCRIPTION**

FIG. 1 is a perspective view of a filter assembly showing a first  
embodiment of our new design;

FIG. 2 is a front elevational view of the filter assembly shown  
in FIG. 1;

FIG. 3 is a rear elevational view thereof;

FIG. 4 is a left side elevational view, as viewed from the left  
side of FIG. 1;

FIG. 5 is a right side elevational view thereof;

FIG. 6 is a top plan view thereof;

FIG. 7 is a bottom plan view thereof;

FIG. 8 is a perspective view of a filter assembly showing a  
second embodiment of our design, with the front and rear  
elevational views of the second embodiment being the same  
as the first embodiment;

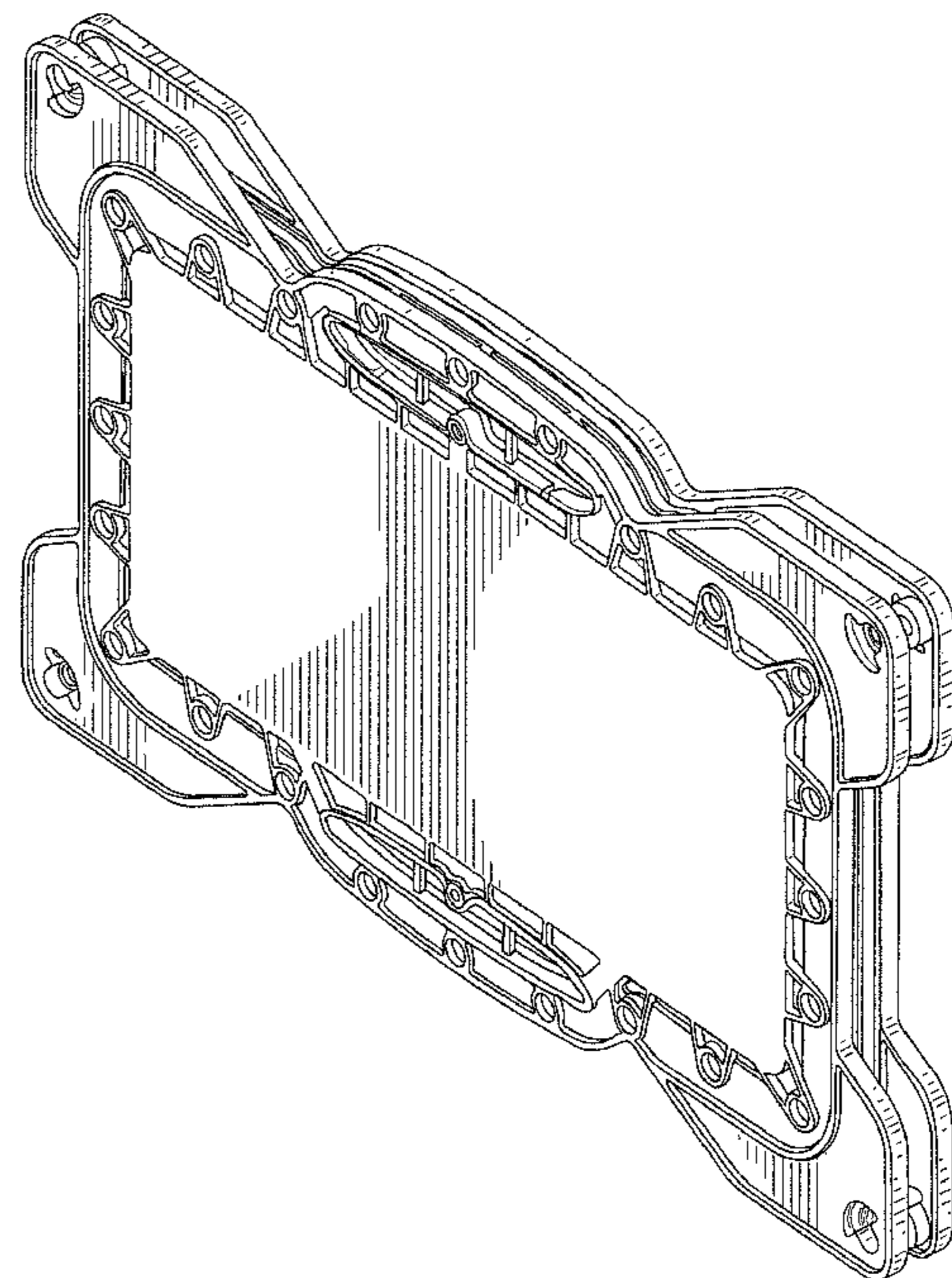
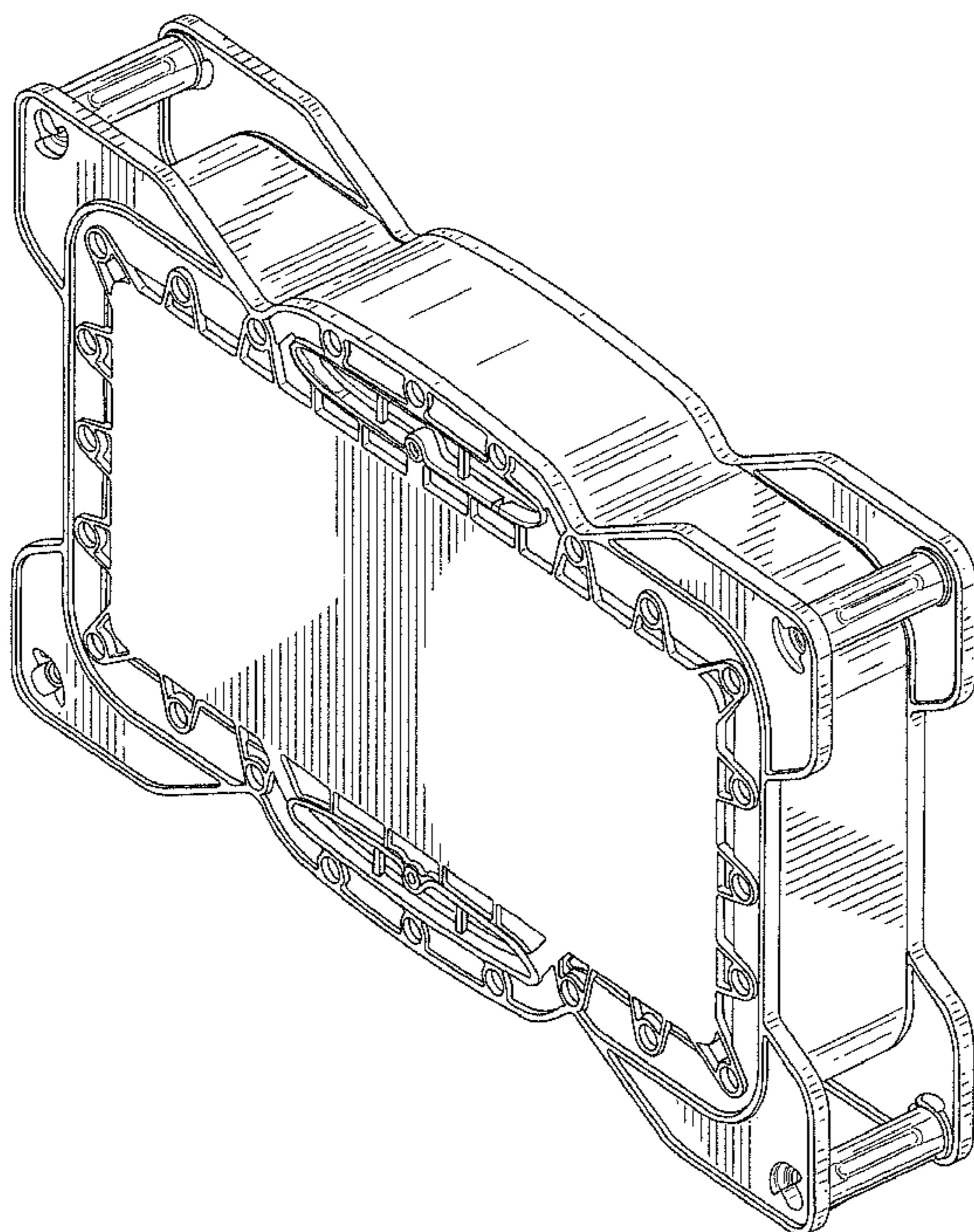
FIG. 9 is a left side elevational view of the filter assembly  
shown in FIG. 8;

FIG. 10 is a right side elevational view of the filter assembly  
shown in FIGS. 8 and 9;

FIG. 11 is a top plan view of the filter assembly shown in  
FIGS. 8-10; and,

FIG. 12 is a bottom plan view of the filter assembly shown in  
FIGS. 8-11.

**1 Claim, 12 Drawing Sheets**



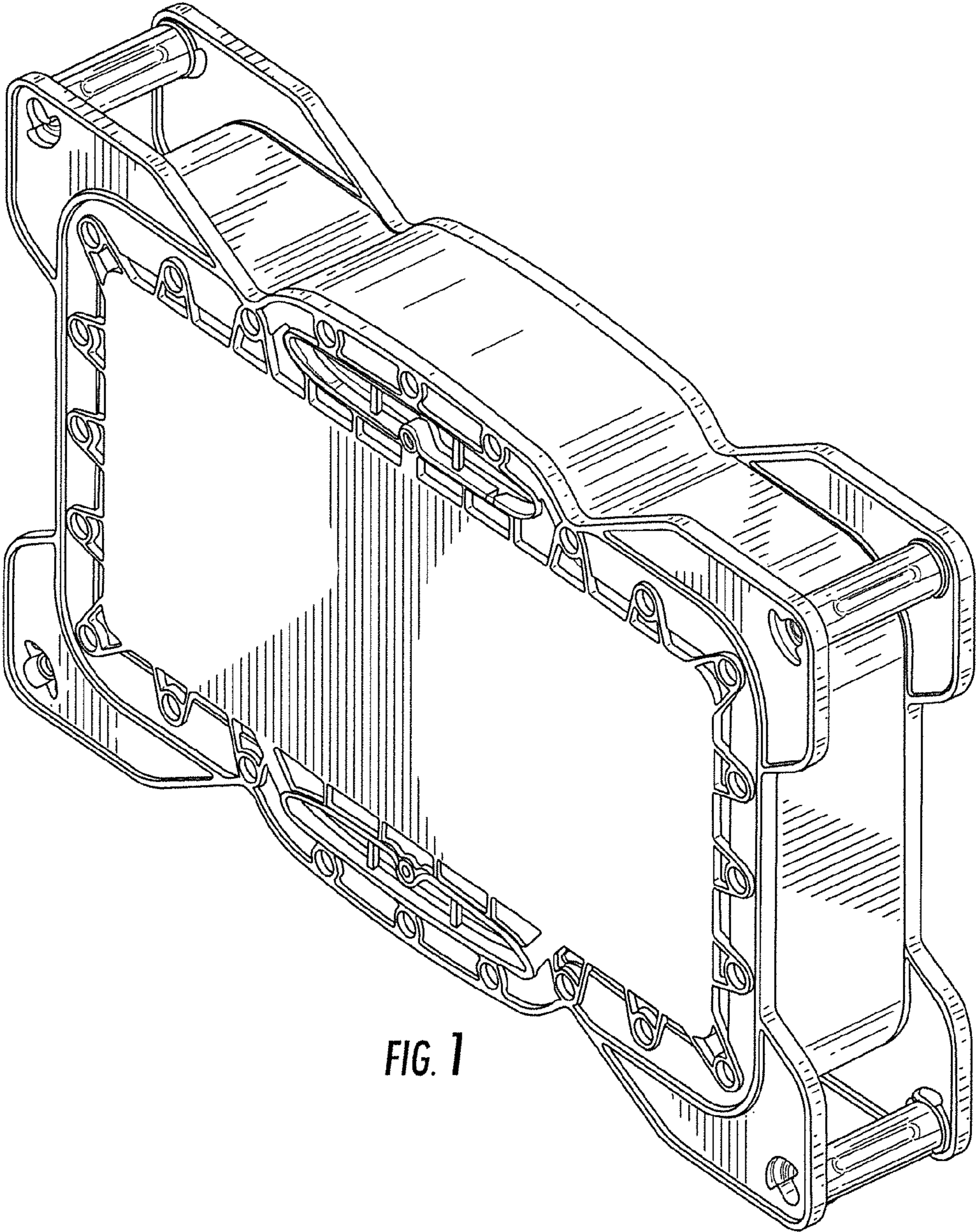


FIG. 1

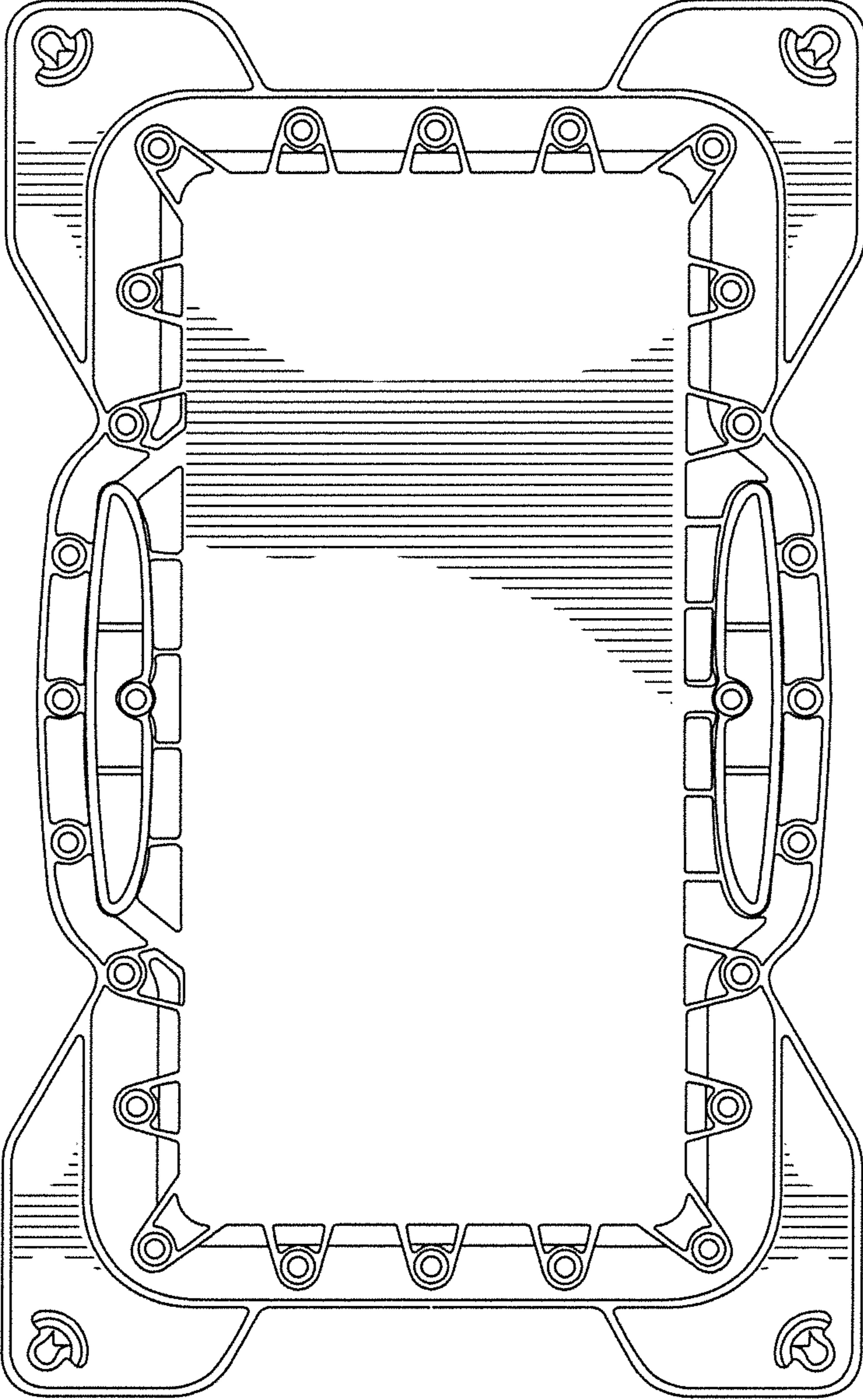


FIG. 2

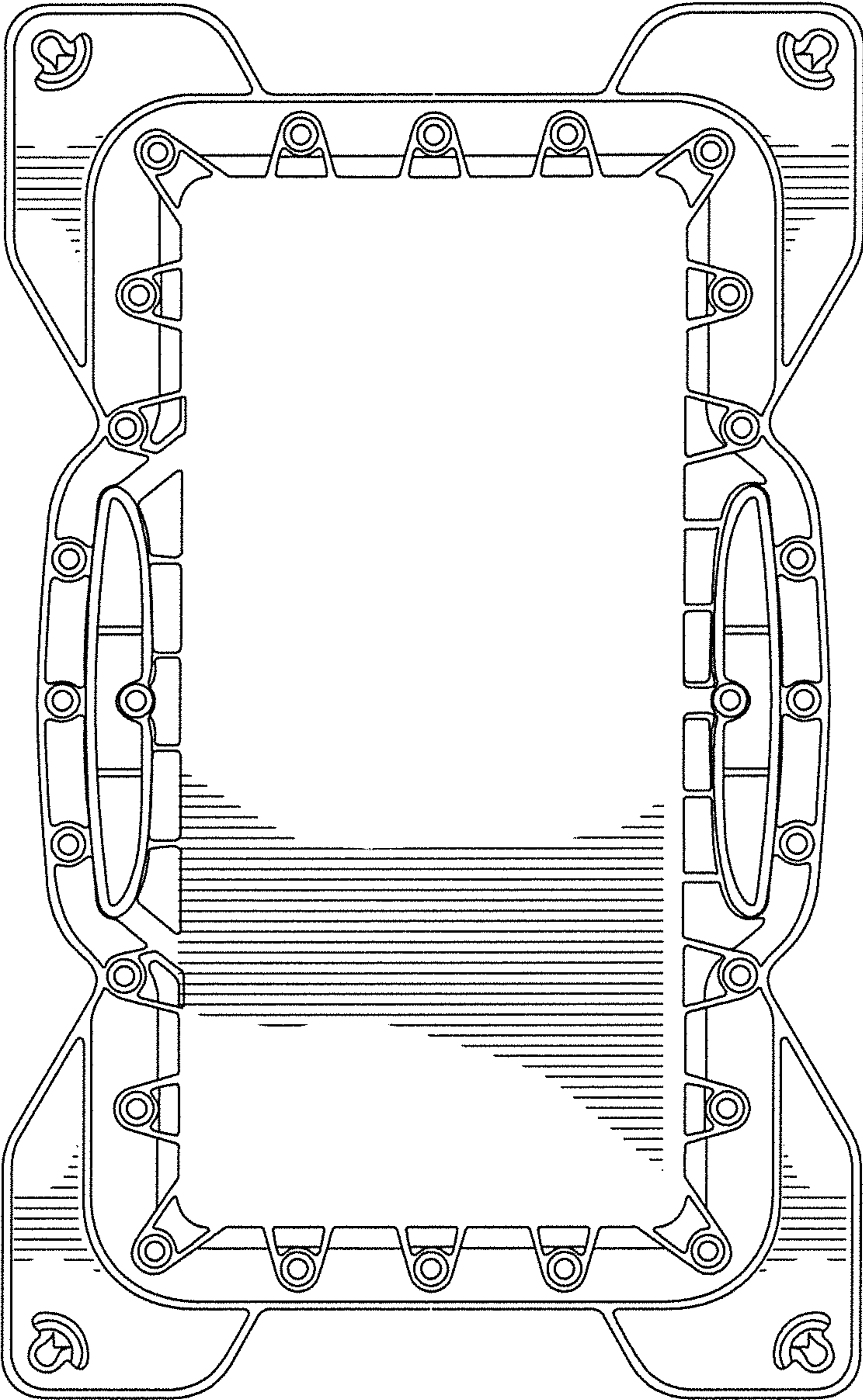


FIG. 3

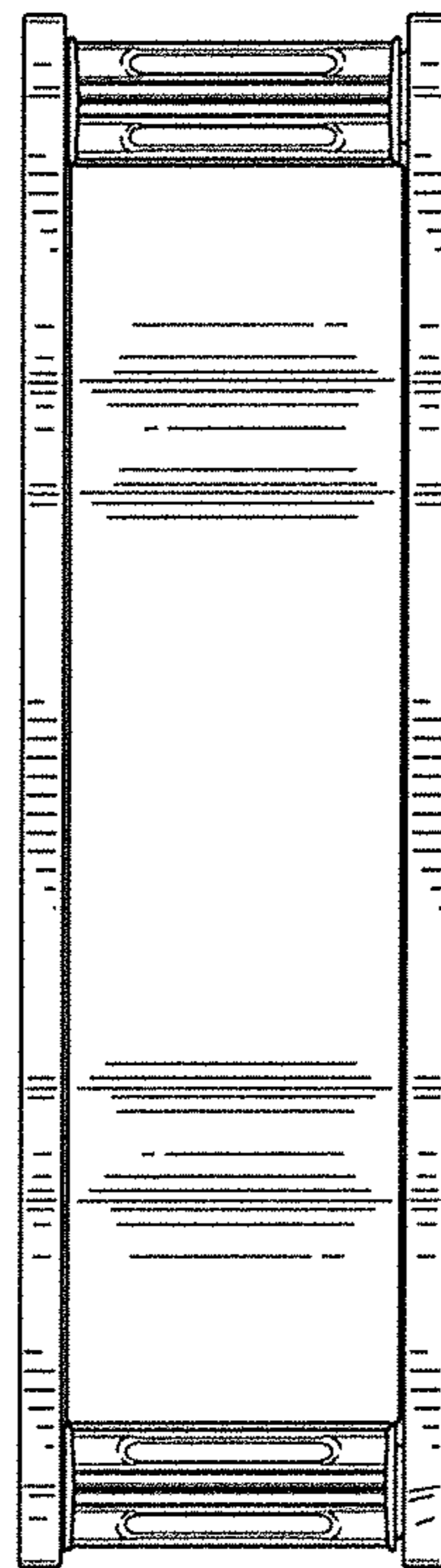
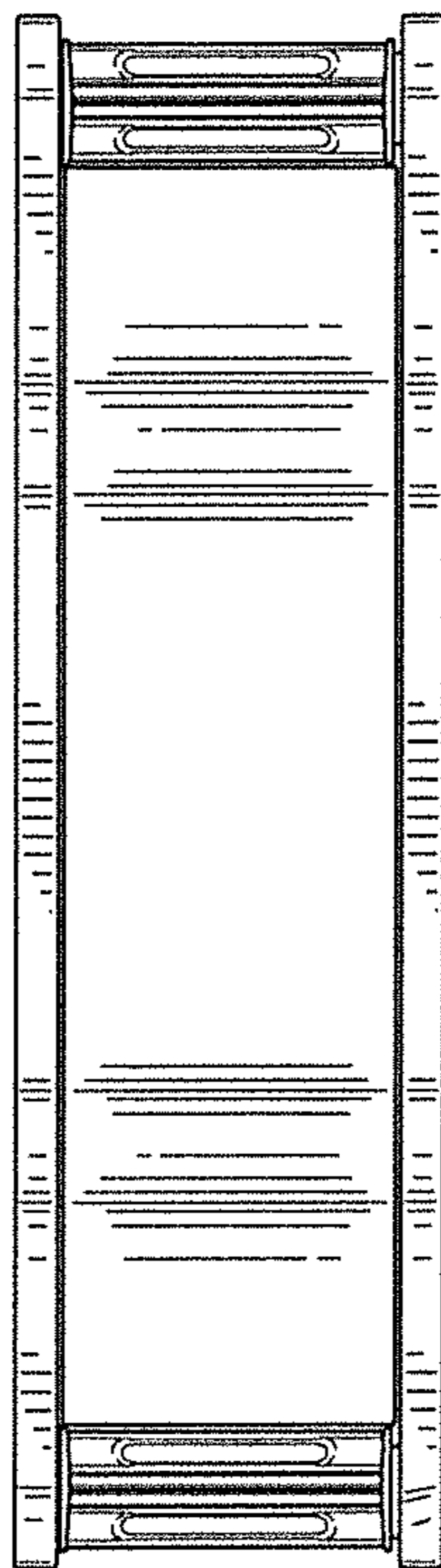


FIG. 4



*FIG. 5*

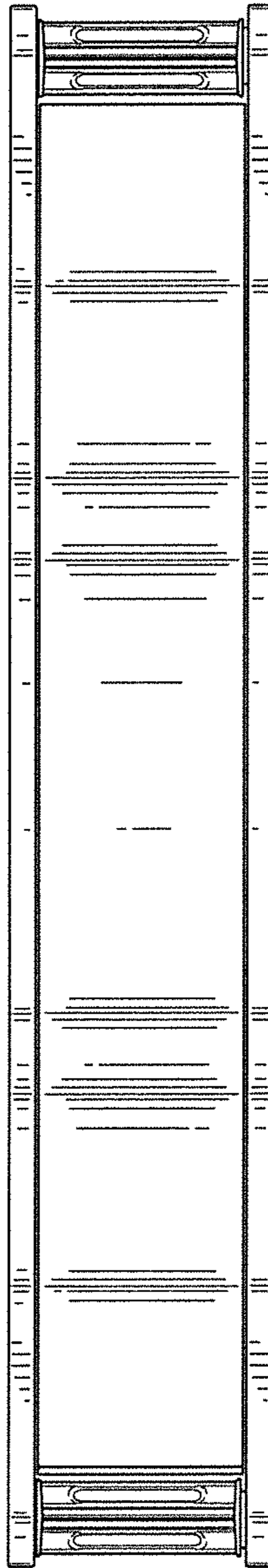


FIG. 6

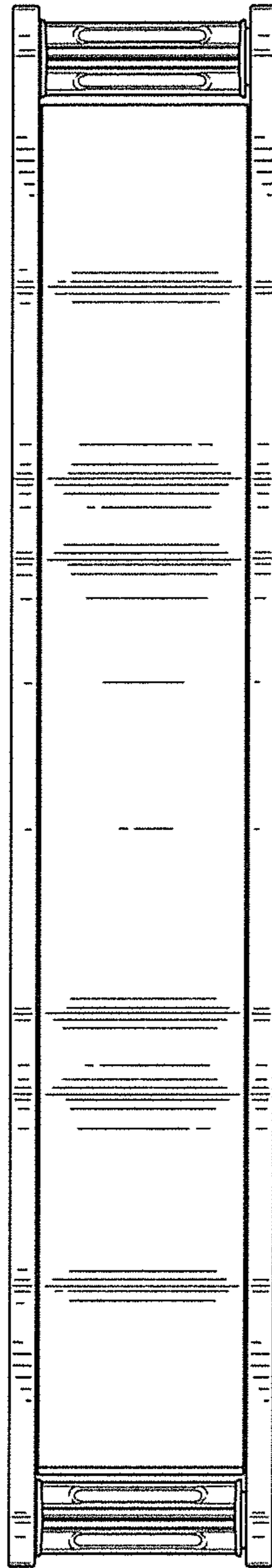


FIG. 7



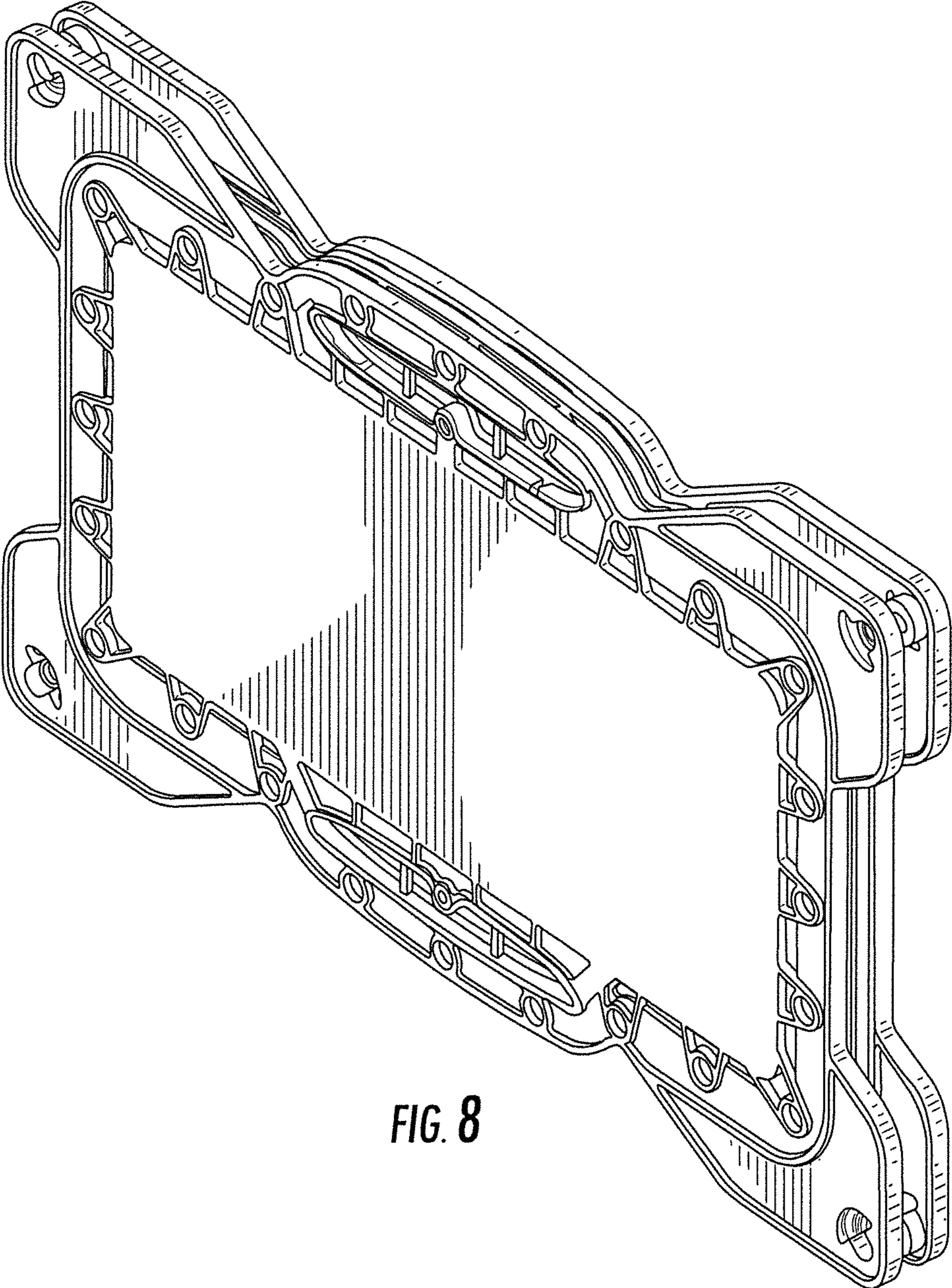
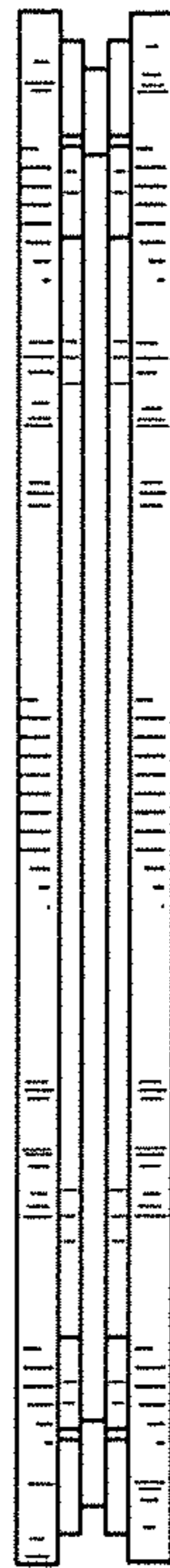


FIG. 8



**FIG. 9**



**FIG. 10**



**FIG. 11**

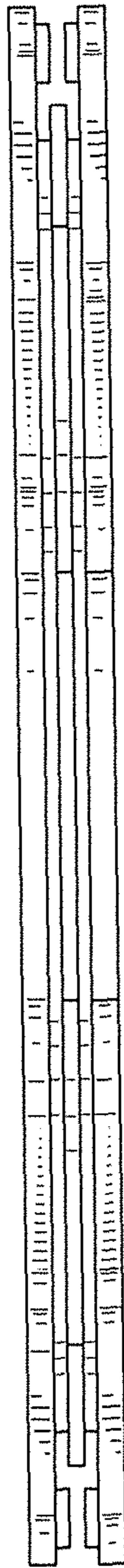


FIG. 12