



US00D741982S

(12) **United States Design Patent**  
**Maeng**

(10) **Patent No.:** **US D741,982 S**  
(45) **Date of Patent:** **\*\* Oct. 27, 2015**

(54) **WATER PURIFIER**

(71) Applicant: **Coway Co., Ltd.**, Choongcheongnam-do (KR)

(72) Inventor: **Kyung hwa Maeng**, Seoul (KR)

(73) Assignee: **Coway Co., Ltd.**, Choongcheongnam-do (KR)

(\*\*) Term: **14 Years**

(21) Appl. No.: **29/499,950**

(22) Filed: **Aug. 20, 2014**

(51) **LOC (10) Cl.** ..... **23-01**

(52) **U.S. Cl.**  
USPC ..... **D23/207**

(58) **Field of Classification Search**  
USPC ..... D23/207-209; 210/435, 241, 266, 85, 210/232  
See application file for complete search history.

(56) **References Cited**

**U.S. PATENT DOCUMENTS**

D413,961 S \* 9/1999 Bassett ..... D23/209  
D482,755 S \* 11/2003 Rhinehart et al. .... D23/207

D486,883 S \* 2/2004 O'Loughlin ..... D23/209  
D506,525 S \* 6/2005 Wang ..... D23/207  
D646,749 S \* 10/2011 Morad ..... D23/209  
D673,241 S \* 12/2012 Choi ..... D23/207  
D682,387 S \* 5/2013 Tseng ..... D23/207  
D706,386 S \* 6/2014 Ambler et al. .... D23/207

\* cited by examiner

*Primary Examiner* — Robin V Webster

(74) *Attorney, Agent, or Firm* — Blank Rome LLP

(57) **CLAIM**

I claim an ornamental design for a water purifier, as shown and described.

**DESCRIPTION**

FIG. 1 is a perspective view of a water purifier of the present design;

FIG. 2 is a front view of the water purifier of FIG. 1;

FIG. 3 is a rear view of the water purifier of FIG. 1;

FIG. 4 is a left side view of the water purifier of FIG. 1;

FIG. 5 is a right side view of the water purifier of FIG. 1;

FIG. 6 is a top view of the water purifier of FIG. 1; and,

FIG. 7 is a bottom view of the water purifier of FIG. 1.

**1 Claim, 7 Drawing Sheets**

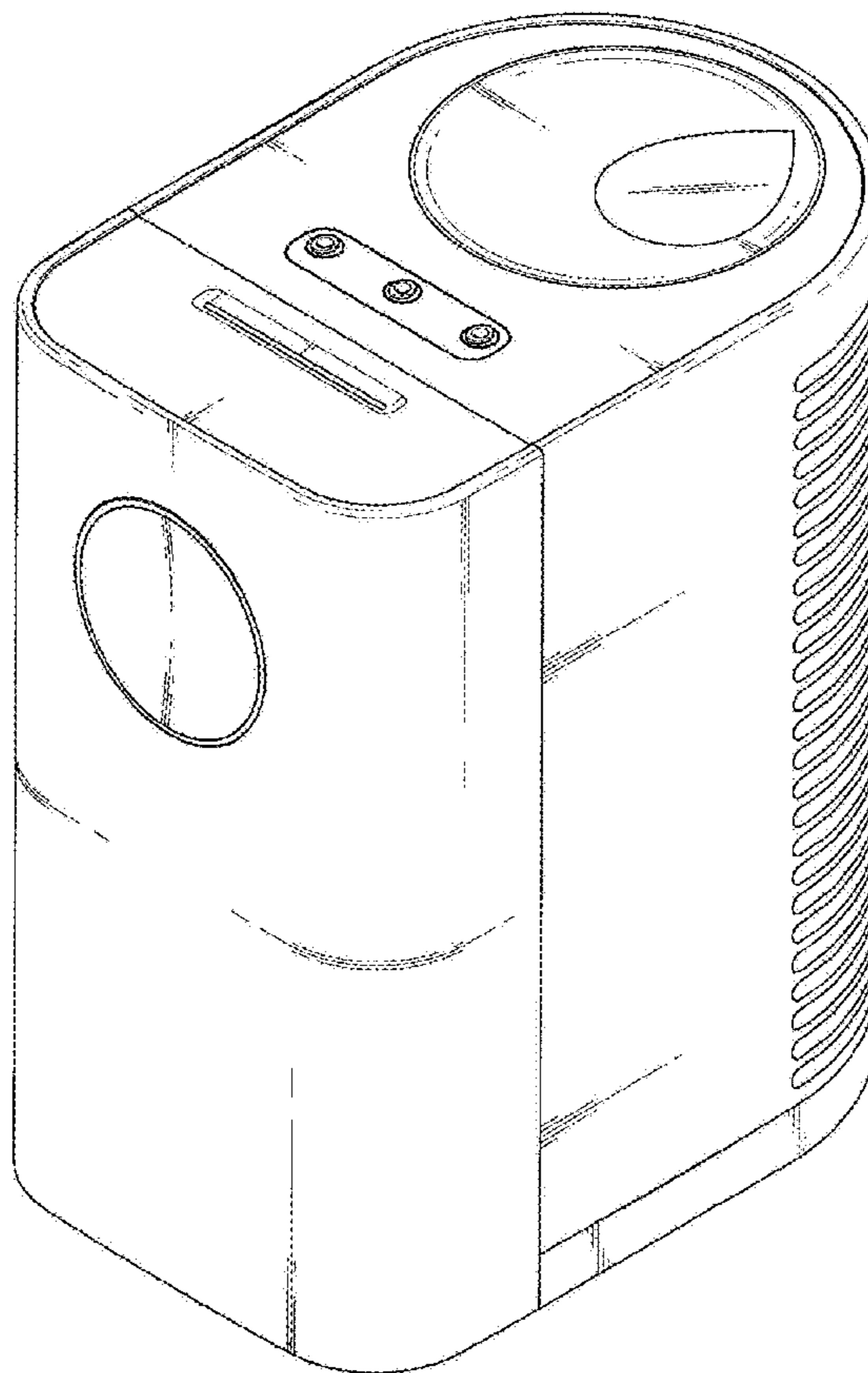


FIG. 1

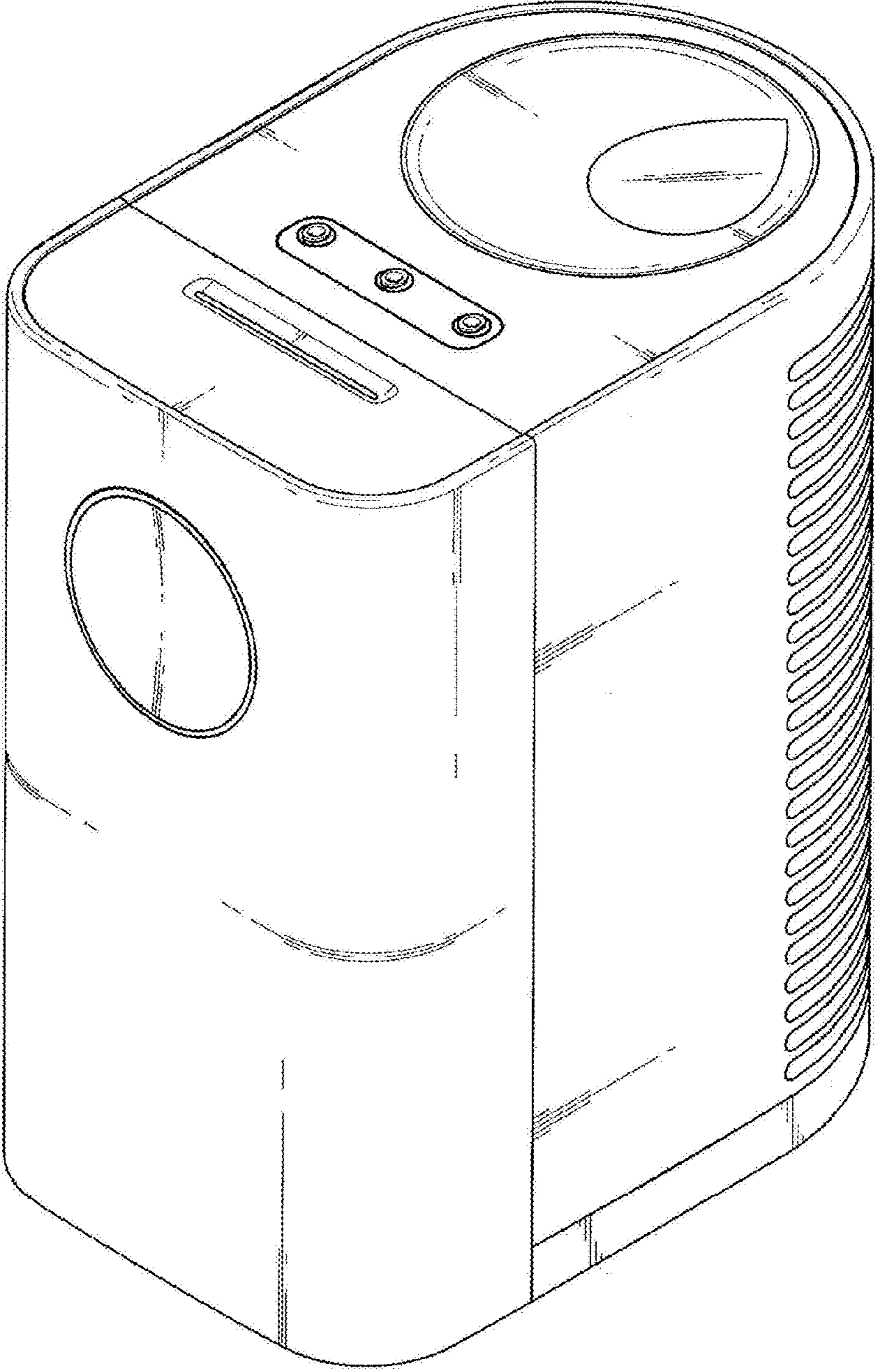


FIG. 2

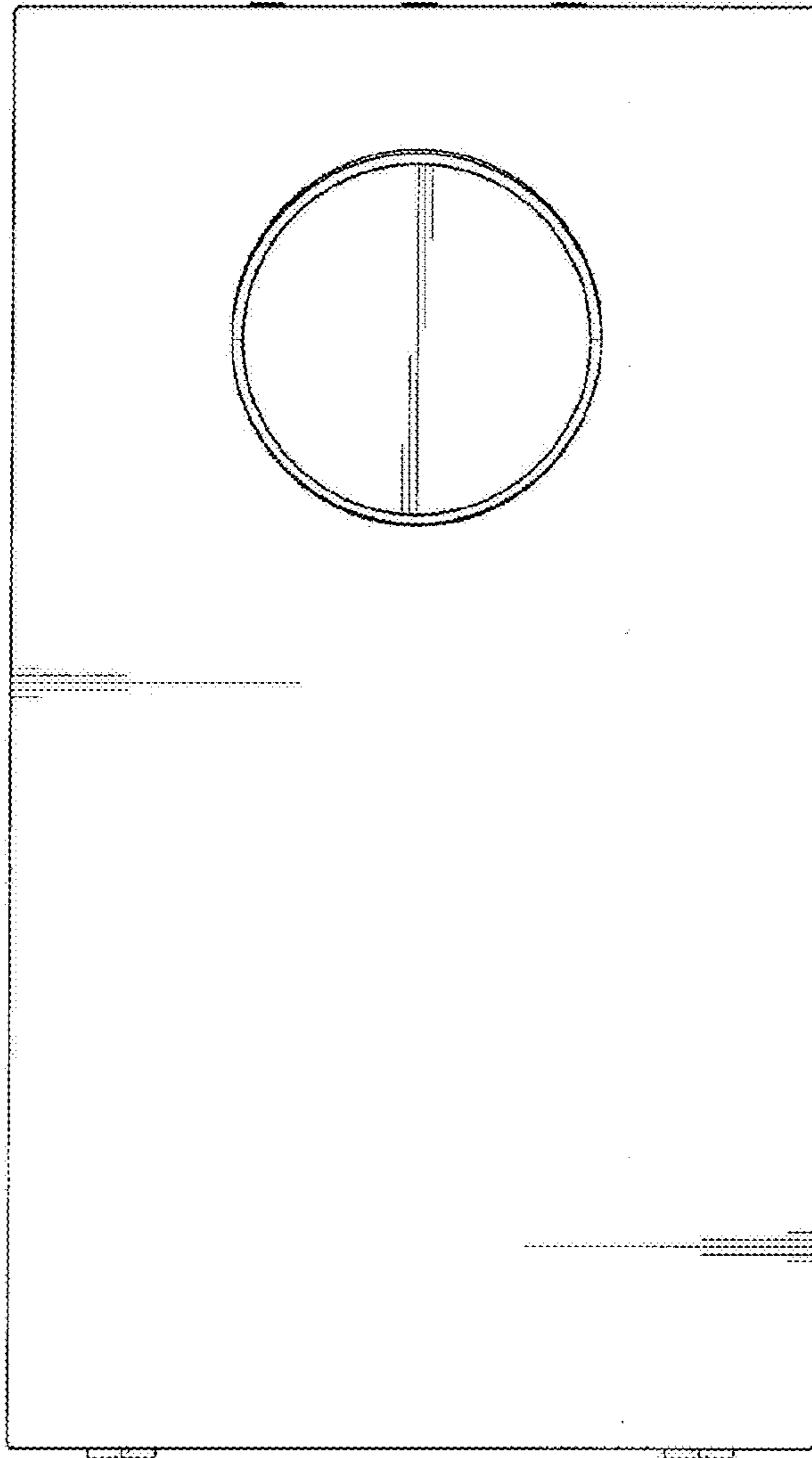


FIG. 3

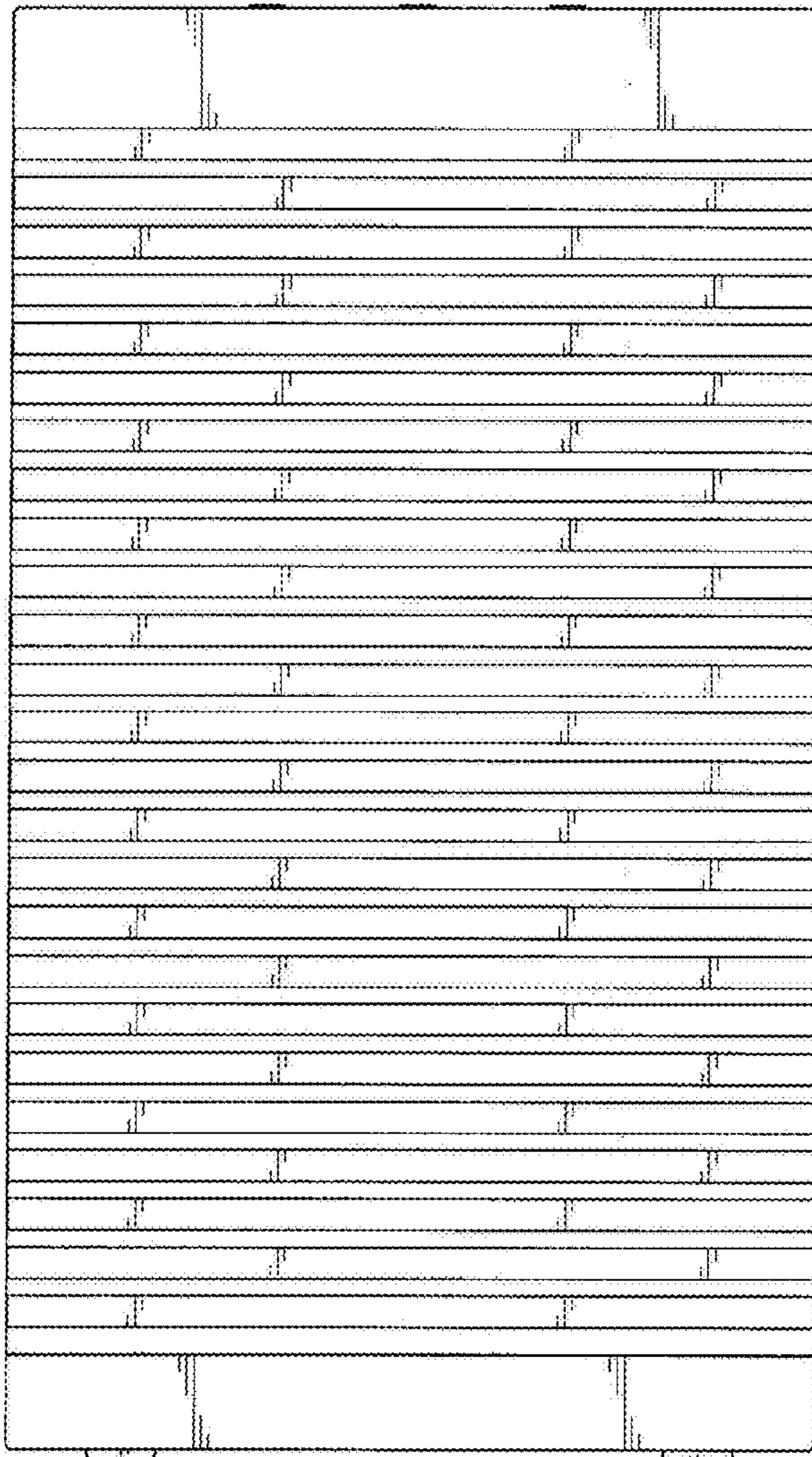


FIG. 4

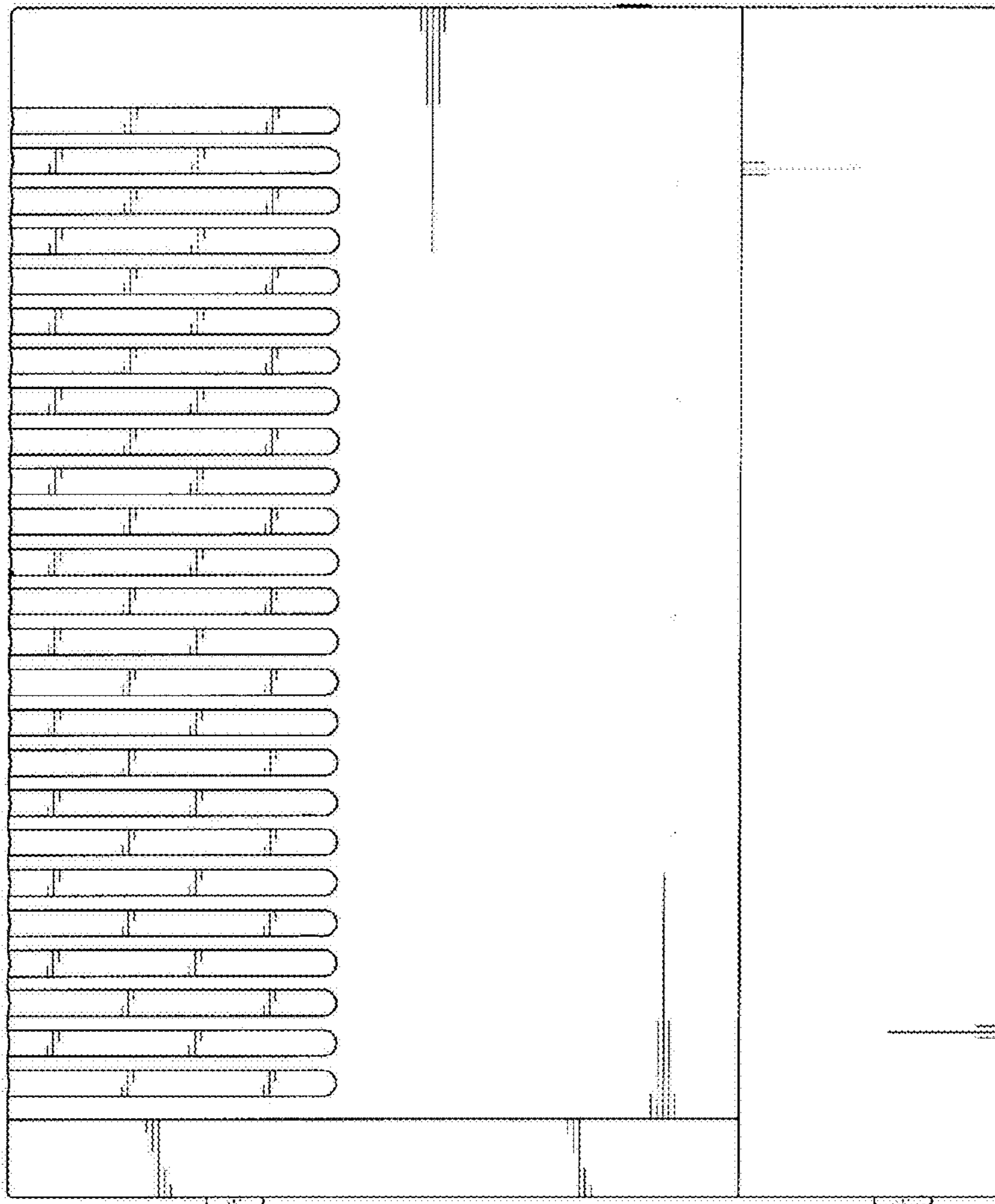


FIG. 5

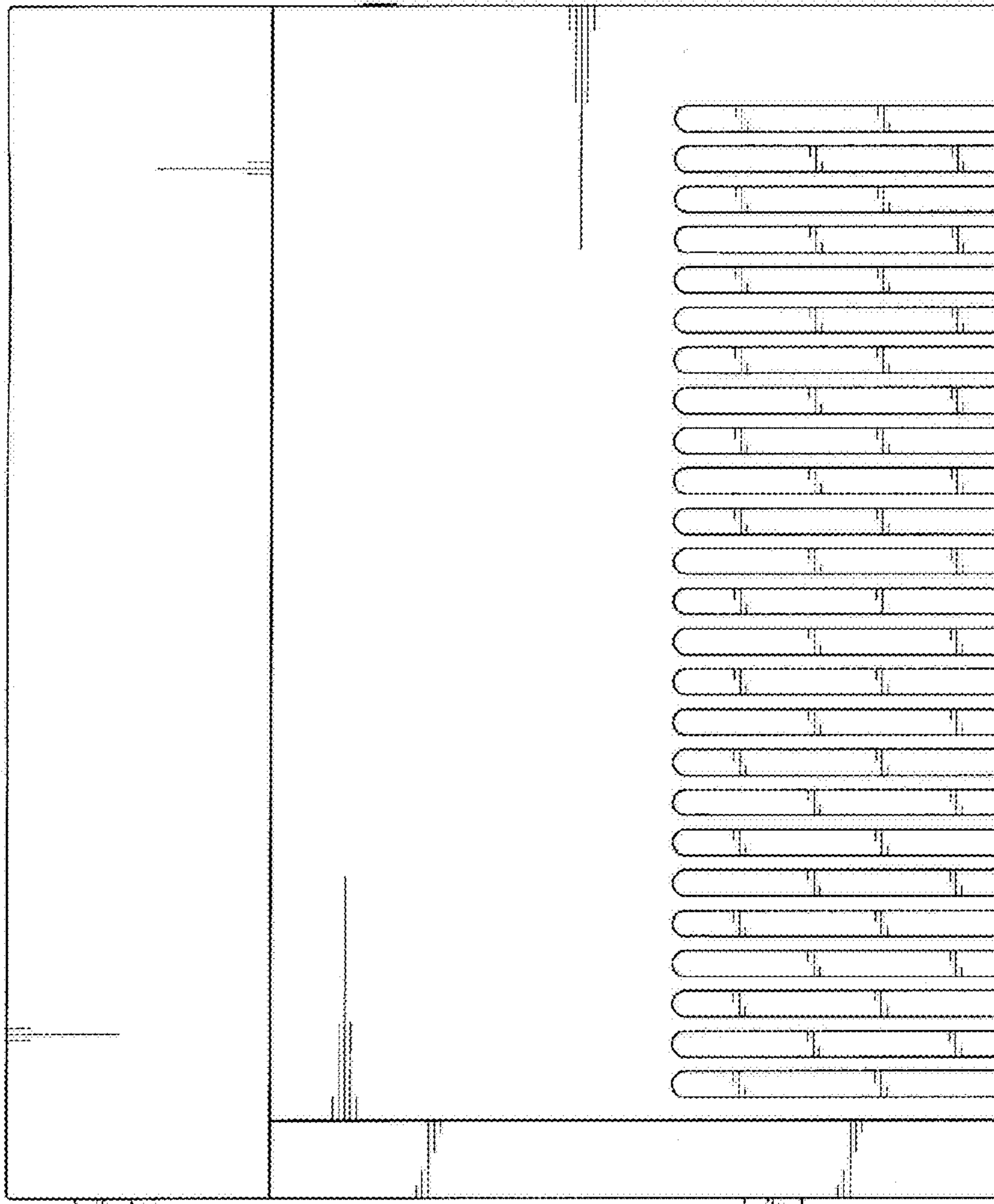


FIG. 6

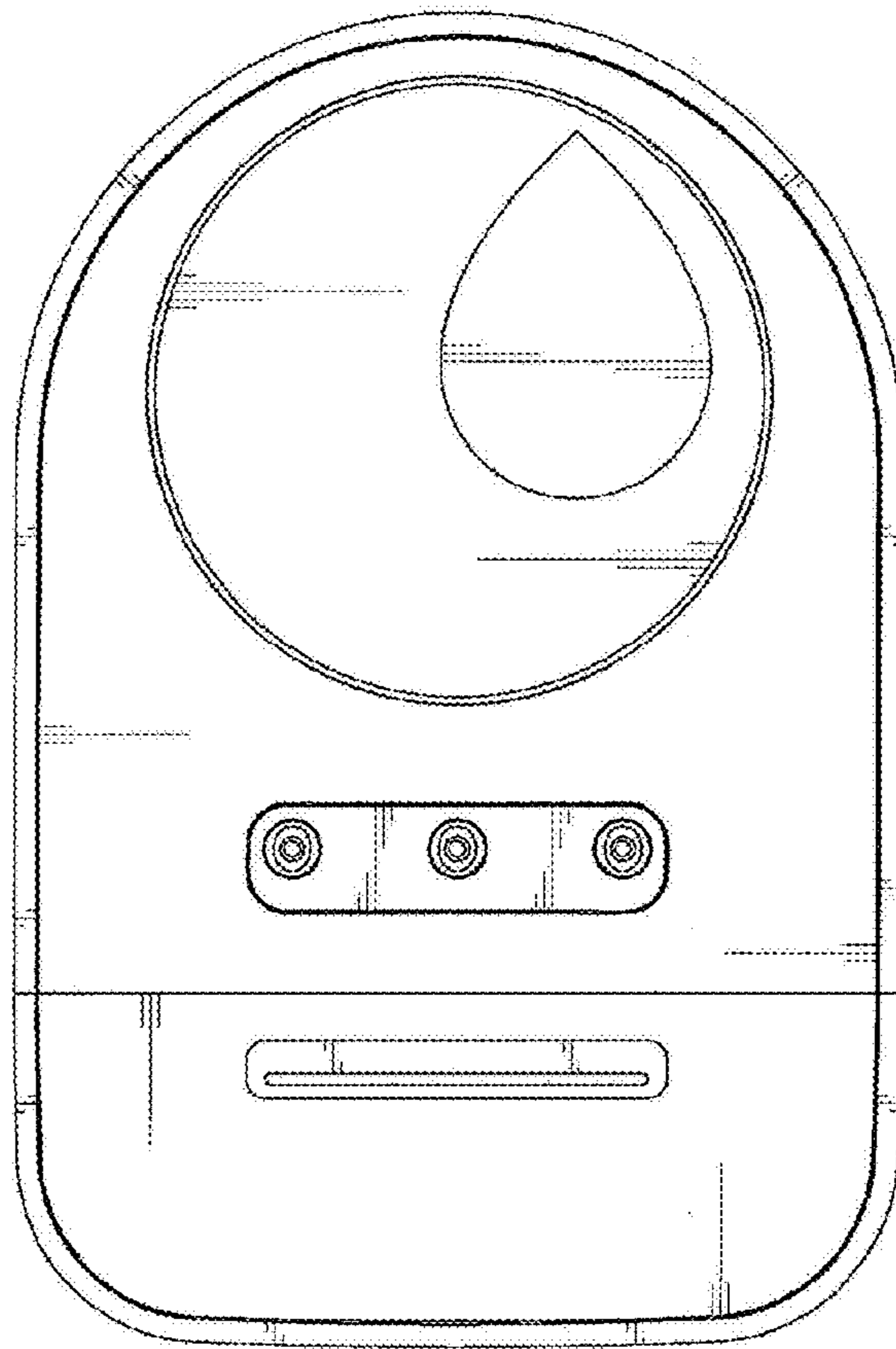


FIG. 7

