



US00D741981S

(12) **United States Design Patent**  
**Fitzgerald et al.**

(10) **Patent No.:** **US D741,981 S**  
(45) **Date of Patent:** **\*\* Oct. 27, 2015**

- (54) **LIQUID MOBILE TANK**
- (71) Applicant: **Meridian Manufacturing, Inc.**, Storm Lake, IA (US)
- (72) Inventors: **Christopher T. Fitzgerald**, Pomeroy, IA (US); **Sam J. Plett**, Winkler (CA); **Mark A. Loewen**, East St. Paul (CA)
- (73) Assignee: **MERIDIAN MANUFACTURING, INC.**, Storm Lake, IA (US)
- (\*\*) Term: **14 Years**
- (21) Appl. No.: **29/494,028**
- (22) Filed: **Jun. 17, 2014**
- (51) **LOC (10) Cl.** ..... **23-01**
- (52) **U.S. Cl.**  
USPC ..... **D23/202**
- (58) **Field of Classification Search**  
USPC ..... D23/202; 220/565, 587, 562, 905, 4.14, 220/1.5; 210/532.2, 533  
CPC ..... B65D 90/02; B60K 15/03177  
See application file for complete search history.

7,455,190	B2 *	11/2008	Potter et al.	.....	220/4.14
D612,448	S *	3/2010	Richardson	.....	D23/202
7,854,288	B2 *	12/2010	Thompson et al.	.....	180/271
7,854,345	B2 *	12/2010	Kallevig et al.	.....	220/562
D647,167	S *	10/2011	Arrigoni et al.	.....	D23/202
D647,168	S *	10/2011	Lerner et al.	.....	D23/202
2012/0085756	A1	4/2012	Beitler et al.		

**FOREIGN PATENT DOCUMENTS**

FR 2697777 5/1994

**OTHER PUBLICATIONS**

FR 2 697 777—Delta Plast SA—English Translation May 13, 1994.

\* cited by examiner

*Primary Examiner* — Robin V Webster

(74) *Attorney, Agent, or Firm* — McKee, Voorhees & Sease, P.L.C.

(57) **CLAIM**

The ornamental design for a liquid mobile tank, as shown and described.

**DESCRIPTION**

FIG. 1 is a perspective view of the liquid mobile tank design according to the present invention.

FIG. 2 is a top plan view of the tank.

FIG. 3 is an elevation view from one side of the tank.

FIG. 4 is an elevation view from the opposite side of the tank.

FIG. 5 is an elevation view from one end of the tank; and, FIG. 6 is an elevation view from the opposite end of the tank.

No claim is made to the design of the bottom of the tank.

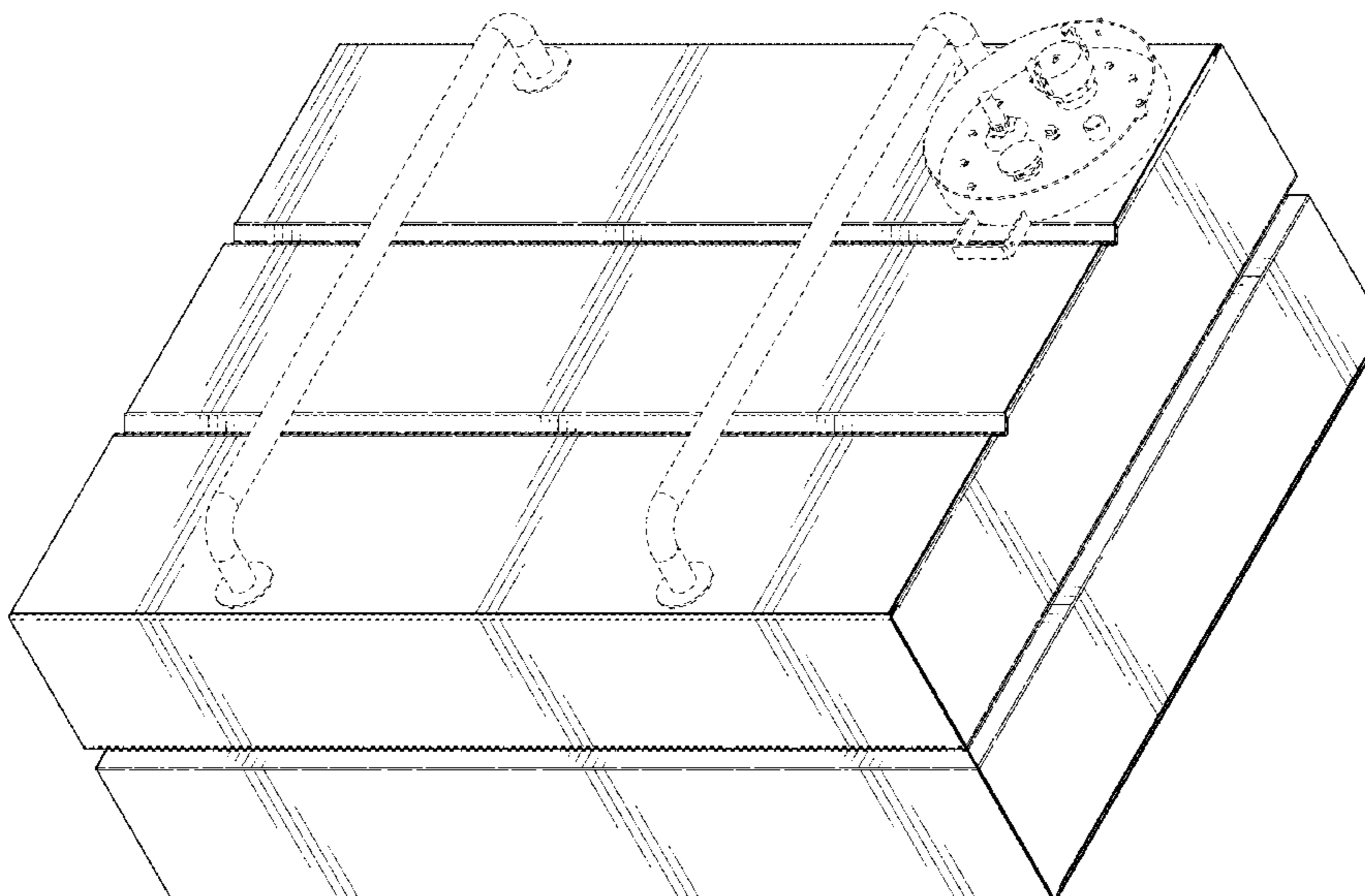
The broken lines of the figures are for the purpose of illustrating unclaimed portions of the sewage drain tube cap of the invention and such broken lines form no part of the claimed design.

**1 Claim, 6 Drawing Sheets**

(56) **References Cited**

**U.S. PATENT DOCUMENTS**

2,144,945	A	1/1939	Sutton		
2,706,574	A	4/1955	Clement		
3,051,315	A *	8/1962	Boester	.....	210/195.4
3,661,293	A	5/1972	Gerhard et al.		
D226,902	S *	5/1973	Lisk	.....	D23/202
3,799,383	A	3/1974	Gerhard		
D293,262	S *	12/1987	Sayward	.....	D23/202
5,346,371	A	9/1994	Bialy et al.		
5,429,752	A *	7/1995	Presby	.....	210/802
5,938,065	A *	8/1999	De Vivo et al.	.....	220/562
6,382,457	B1	5/2002	Bernard et al.		
D514,192	S *	1/2006	Stoner	.....	D23/202



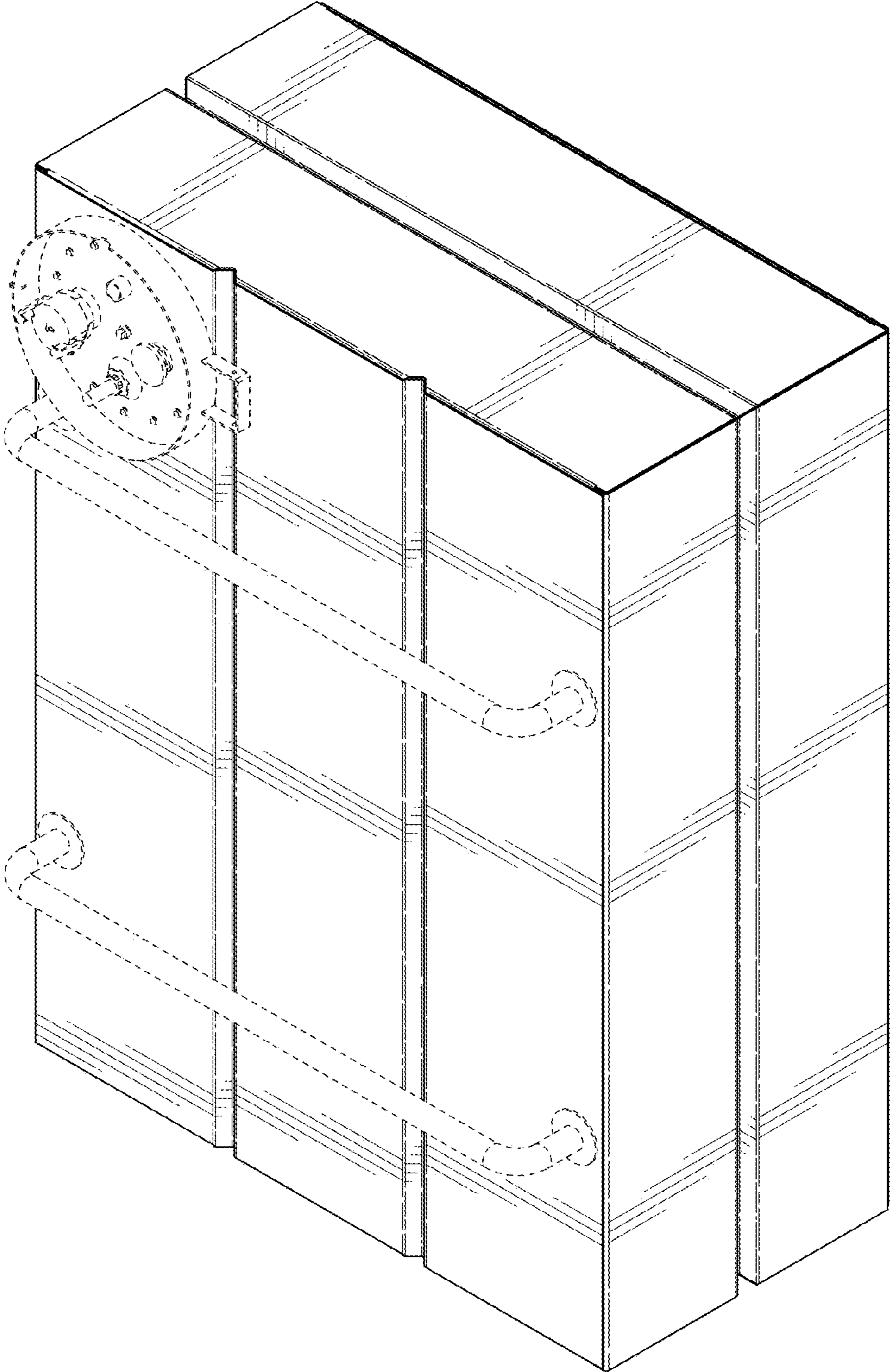


FIG. 1

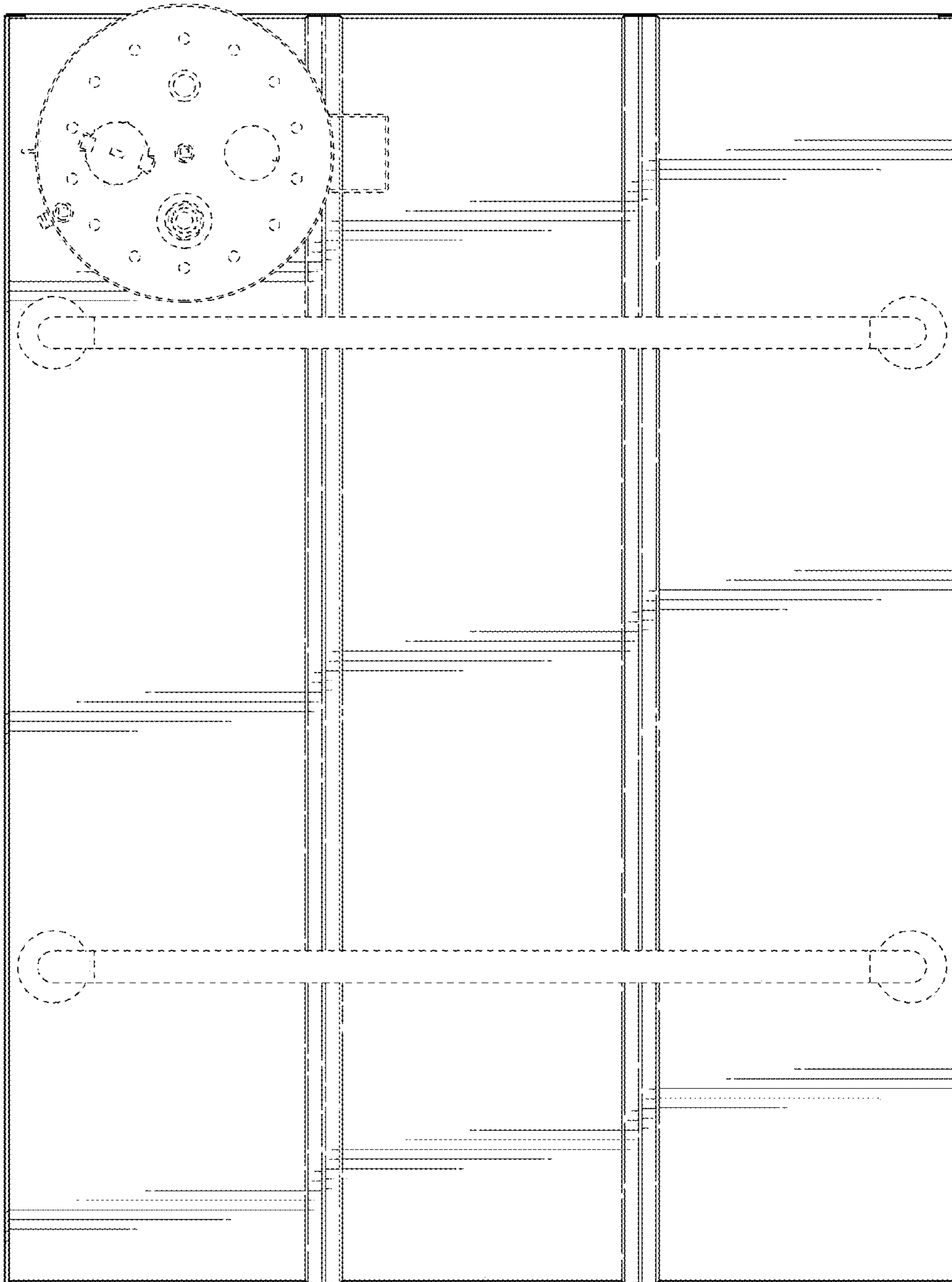


FIG. 2



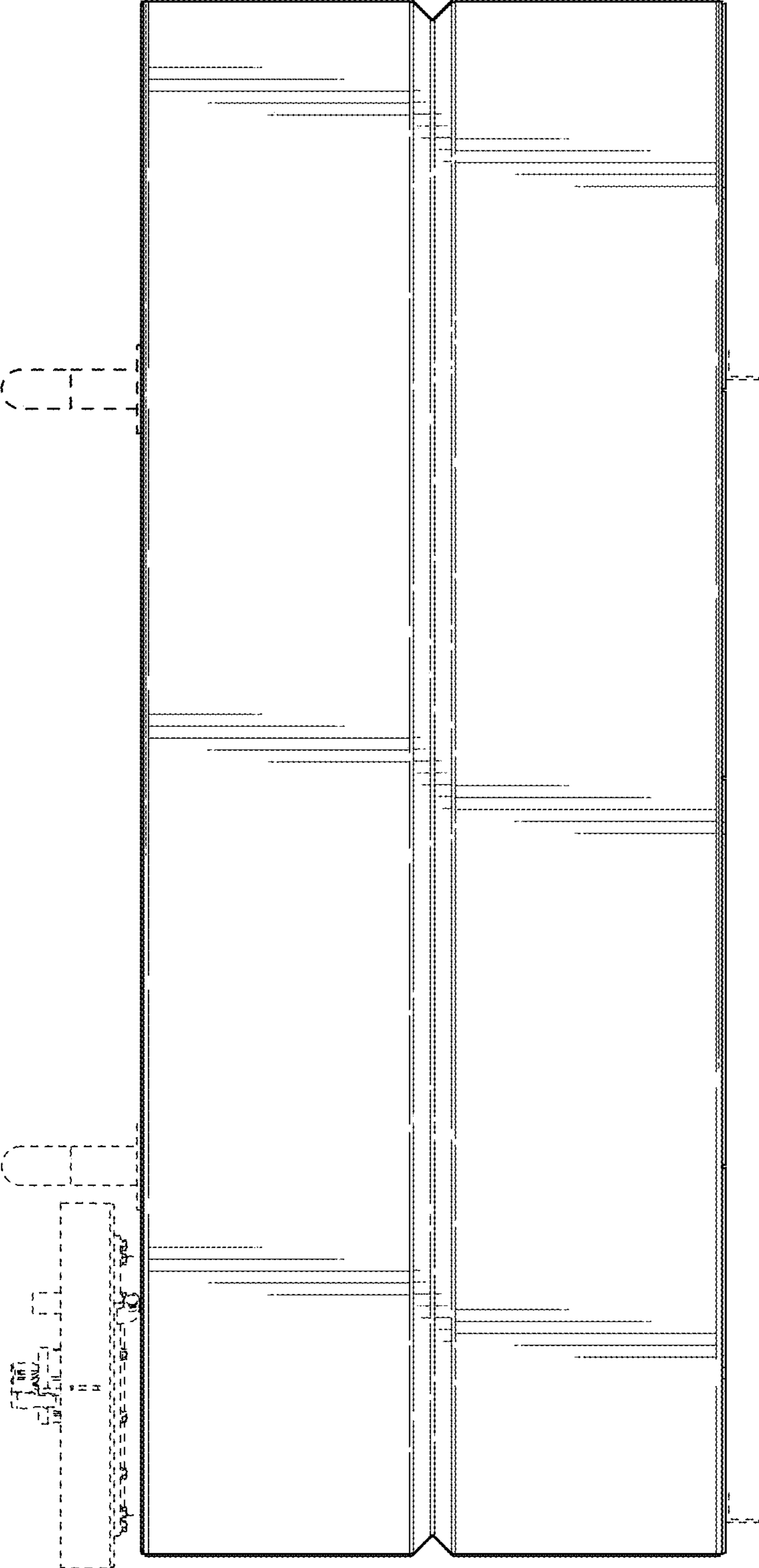


FIG. 3

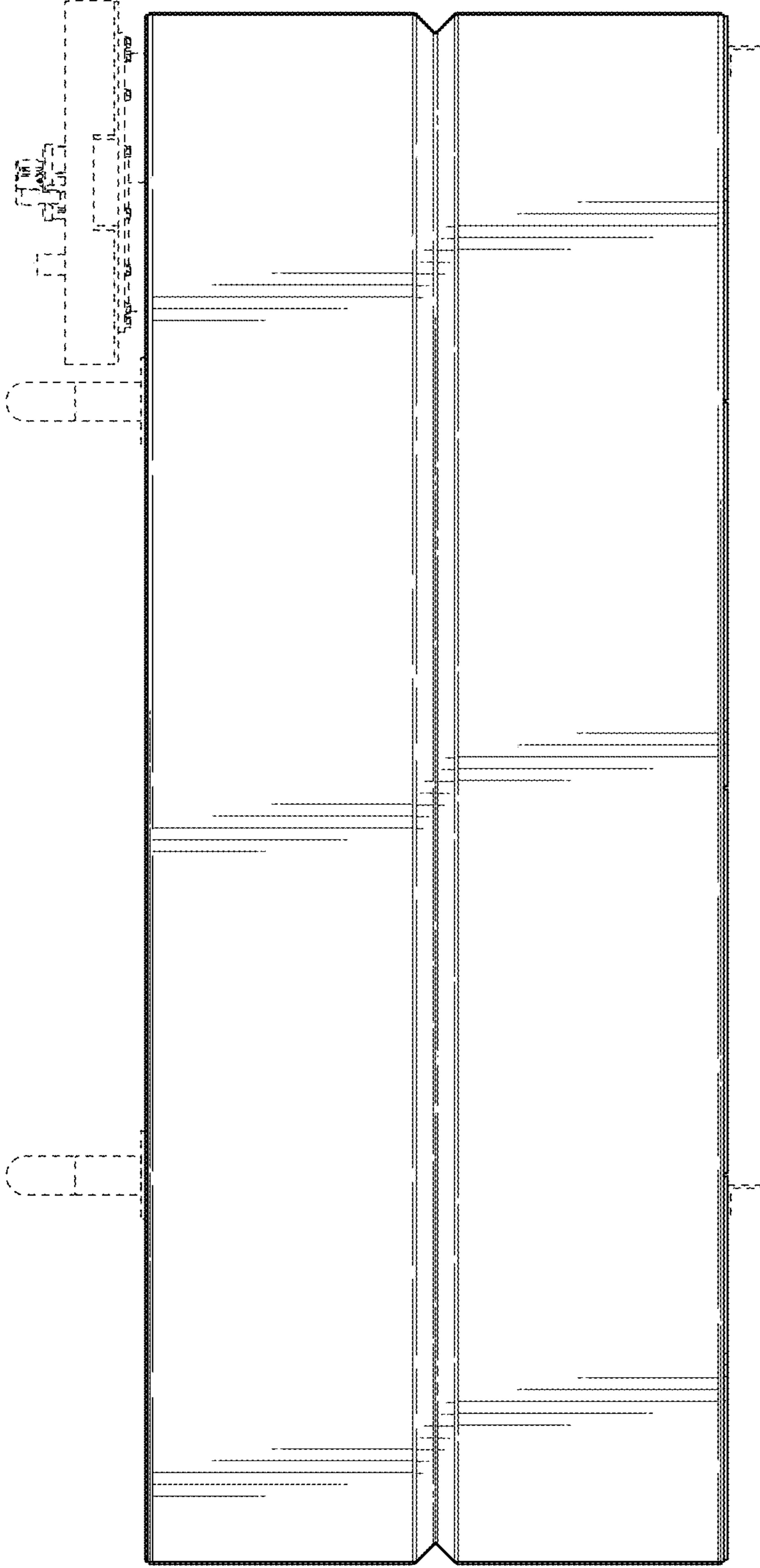


FIG. 4

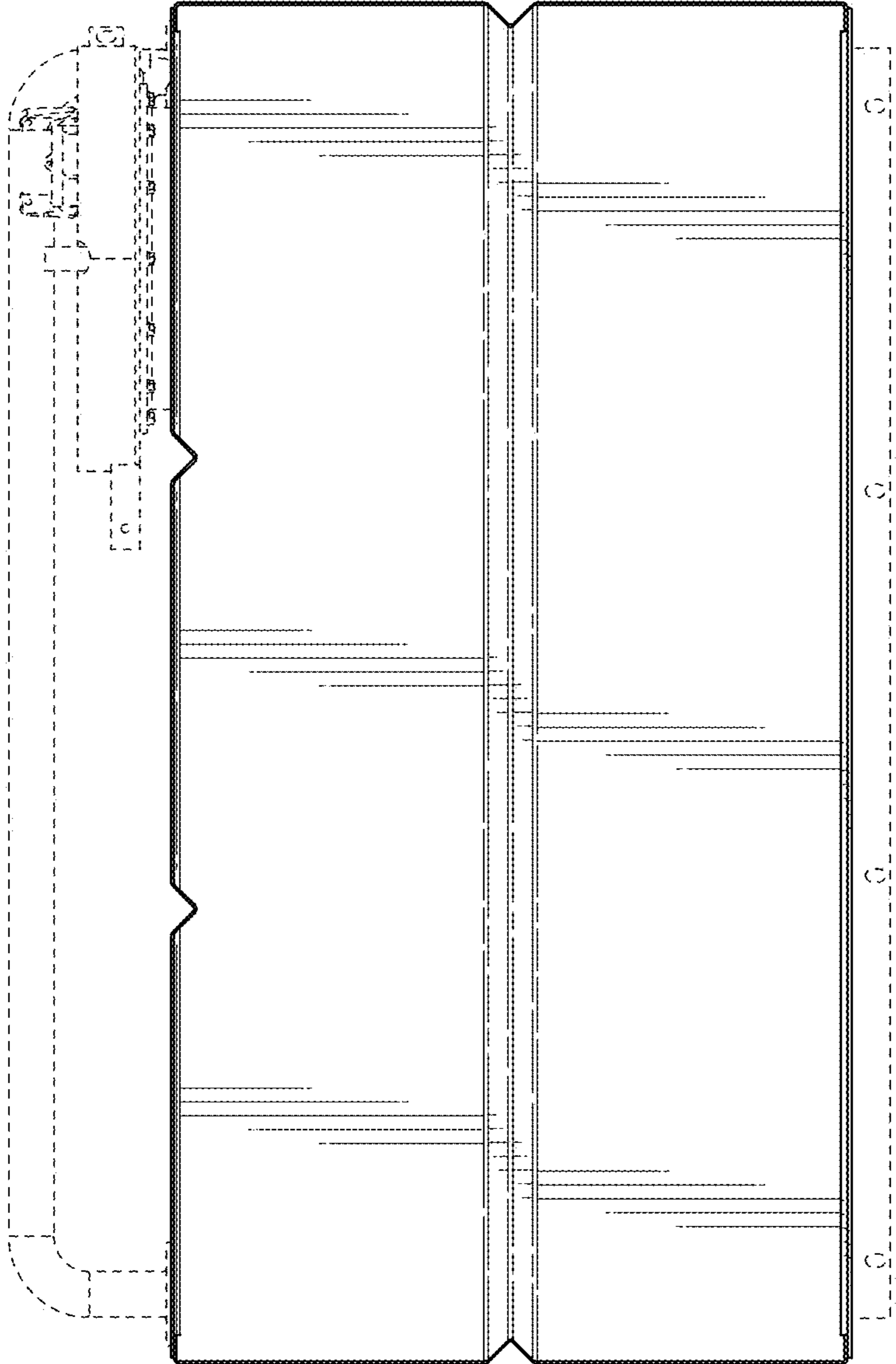


FIG. 5

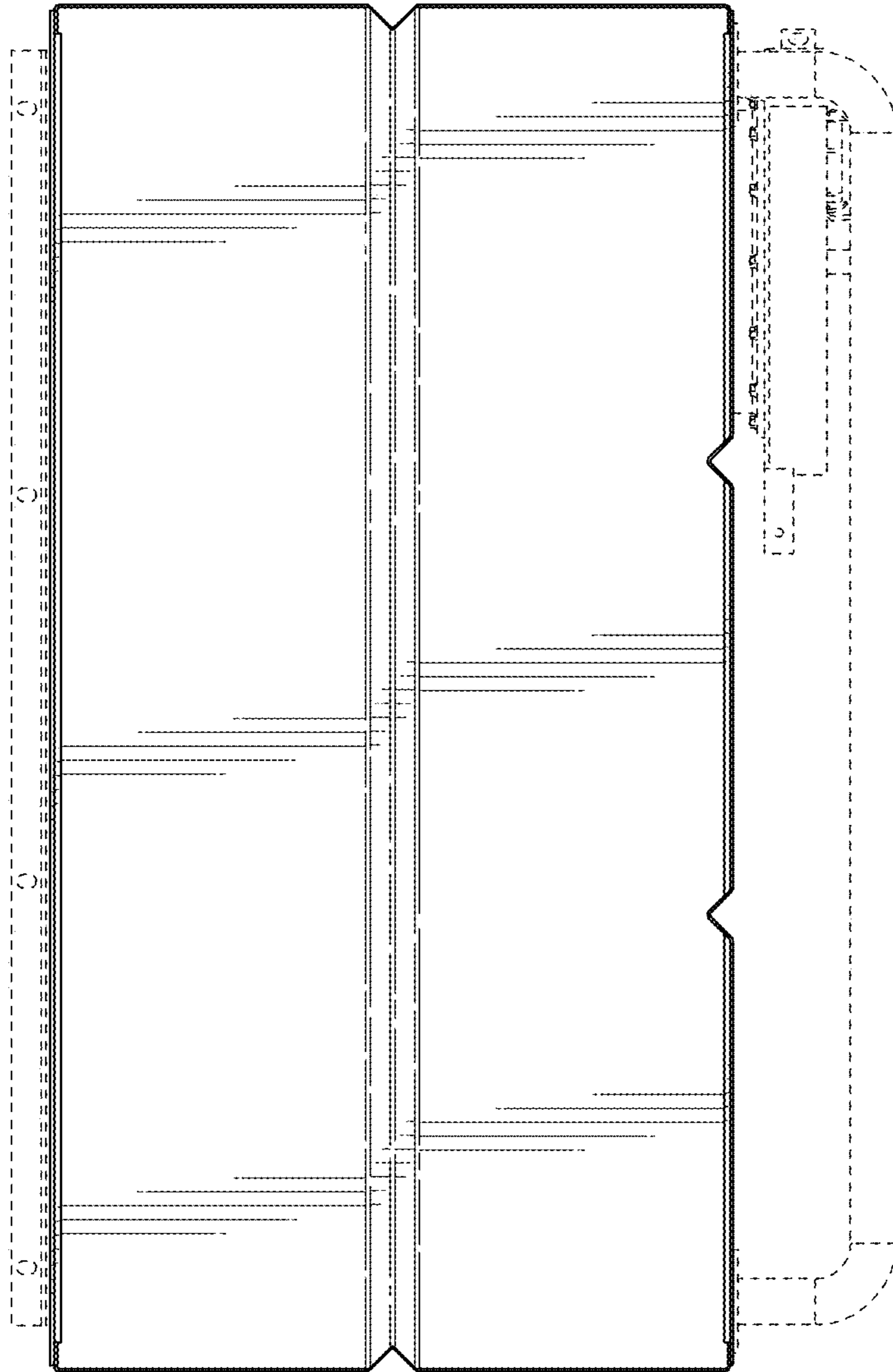


FIG. 6